



US00D574947S

(12) **United States Design Patent**
Grisham et al.

(10) **Patent No.:** **US D574,947 S**
(45) **Date of Patent:** **** Aug. 12, 2008**

(54) **OFF-PEAK INTAKE VENT**

5,439,417 A 8/1995 Sells
5,573,844 A 11/1996 Donovan et al.

(75) Inventors: **Phillip R. Grisham**, Dallas, TX (US);
Robert Bradley Holland, Rowlett, TX (US)

(Continued)

FOREIGN PATENT DOCUMENTS

(73) Assignee: **Air Vent, Inc.**, Dallas, TX (US)

GB 2186898 A 8/1987

(**) Term: **14 Years**

OTHER PUBLICATIONS

(21) Appl. No.: **29/297,913**

Trimline Building Products, "Off-Peak Vent Installation Instructions," www.trimline-products.com, © 2006 Diversi-Plast, a Division of Liberty Diversified Industries.

(22) Filed: **Nov. 21, 2007**

SmartVent by DCI, DCI Products, Inc.—SmartVent Off-Peak Application, www.dciproducts.com, © 2005.

(51) **LOC (8) Cl.** **23-04**

SmartVent by DCI, Tapered Under-Shingle Attic Ventilation, www.dciproducts.com, © 2005.

(52) **U.S. Cl.** **D23/393**

Primary Examiner—Louis S Zarfaz

(58) **Field of Classification Search** D23/393,
D23/373, 370, 371, 387, 391, 324, 385, 386,
D23/388, 392, 390; 454/364–368, 250, 78,
454/136; 52/198, 199, 302.1, 57; D12/404

Assistant Examiner—David G Muller

See application file for complete search history.

(74) *Attorney, Agent, or Firm*—Duane Morris LLP; Joseph A. Powers

(56) **References Cited**

(57) **CLAIM**

U.S. PATENT DOCUMENTS

The ornamental design for an off-peak intake vent, as shown and described.

D256,047 S *	7/1980	Wormington	D23/388
4,212,692 A	7/1980	Rasen et al.		
4,252,590 A	2/1981	Rasen et al.		
4,315,392 A	2/1982	Sylvest		
4,393,634 A	7/1983	McDermott et al.		
RE31,599 E	6/1984	Rasen et al.		
4,530,193 A	7/1985	Ochs		
4,689,258 A	8/1987	Slosberg		
4,805,367 A	2/1989	Kleckner		
4,810,573 A	3/1989	Harriett		
4,843,953 A	7/1989	Sells		
4,852,517 A	8/1989	Smith		
4,942,699 A	7/1990	Spinelli		
4,996,812 A	3/1991	Venable		
5,054,377 A *	10/1991	Mochel et al.	454/136
5,099,627 A	3/1992	Coulton et al.		
5,238,450 A	8/1993	Rotter		
D342,129 S *	12/1993	Goetz, Jr.	D23/387

DESCRIPTION

FIG. 1 is a perspective view of an off-peak intake vent, broken in the middle to show indeterminate length.

FIG. 2 is a top plan view of the off-peak intake vent of FIG. 1.

FIG. 3 is a bottom plan view of the off-peak intake vent of FIG. 1.

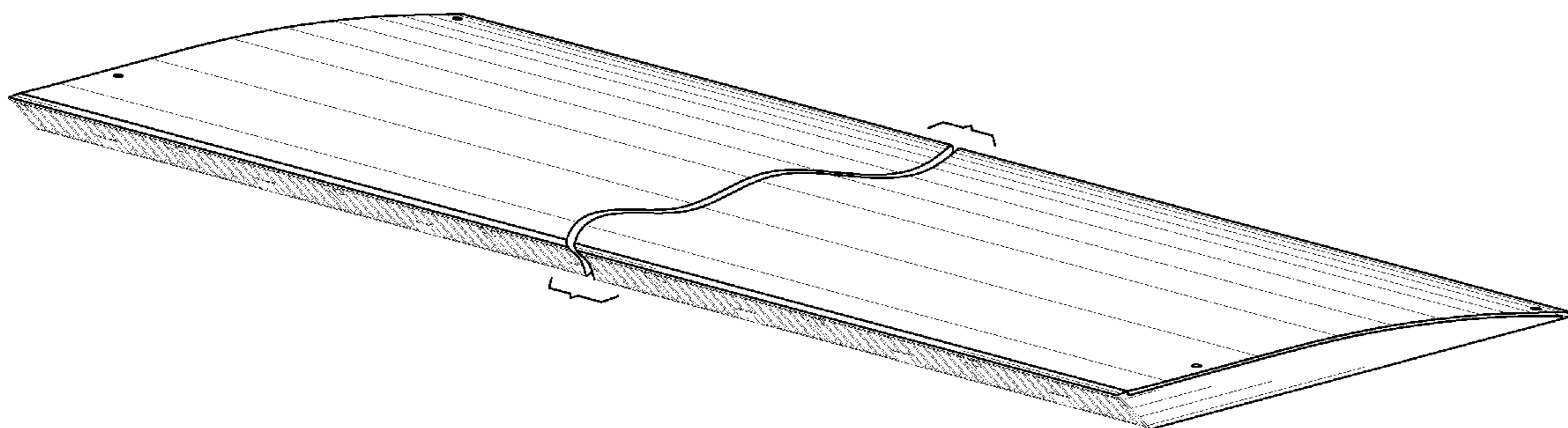
FIG. 4 is a right side view of the off-peak intake vent of FIG. 1, shown at a large scale. The left side view of the off-peak intake vent of FIG. 1 is a mirror image of the right side view.

FIG. 5 is a front view of the off-peak intake vent of FIG. 1.

FIG. 6 is an enlarged partial front view of the off-peak intake vent of FIG. 1, and;

FIG. 7 is rear view of the off-peak intake vent of FIG. 1.

1 Claim, 6 Drawing Sheets



US D574,947 S

Page 2

U.S. PATENT DOCUMENTS

5,630,752	A *	5/1997	Gubash	454/366	6,296,912	B1	10/2001	Zickell	
5,832,677	A	11/1998	Kurttila		6,447,392	B1	9/2002	Henderson	
5,946,868	A	9/1999	Morris		6,482,084	B2	11/2002	Hansen	
5,947,817	A	9/1999	Morris et al.		6,487,826	B1	12/2002	McCorsley et al.	
6,068,551	A *	5/2000	Oremland	454/165	7,044,852	B2 *	5/2006	Horton	454/365
6,086,755	A	7/2000	Tepper		D549,316	S *	8/2007	O'Hagin et al.	D23/393
6,129,628	A *	10/2000	O'Hagin et al.	454/366	D555,237	S *	11/2007	O'Hagin	D23/393
6,212,833	B1	4/2001	Henderson		2001/0019941	A1 *	9/2001	Headrick	454/365
D442,273	S *	5/2001	Pestell	D23/393	2002/0078651	A1 *	6/2002	Freshwater et al.	52/553
					2004/0088928	A1 *	5/2004	Headrick et al.	52/98

* cited by examiner

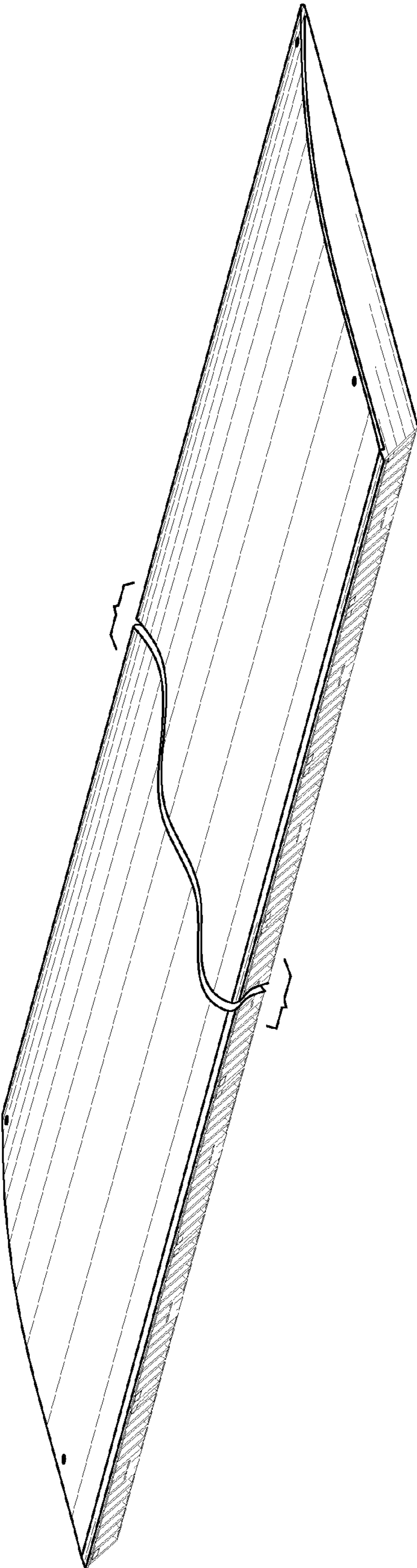


FIG. 1

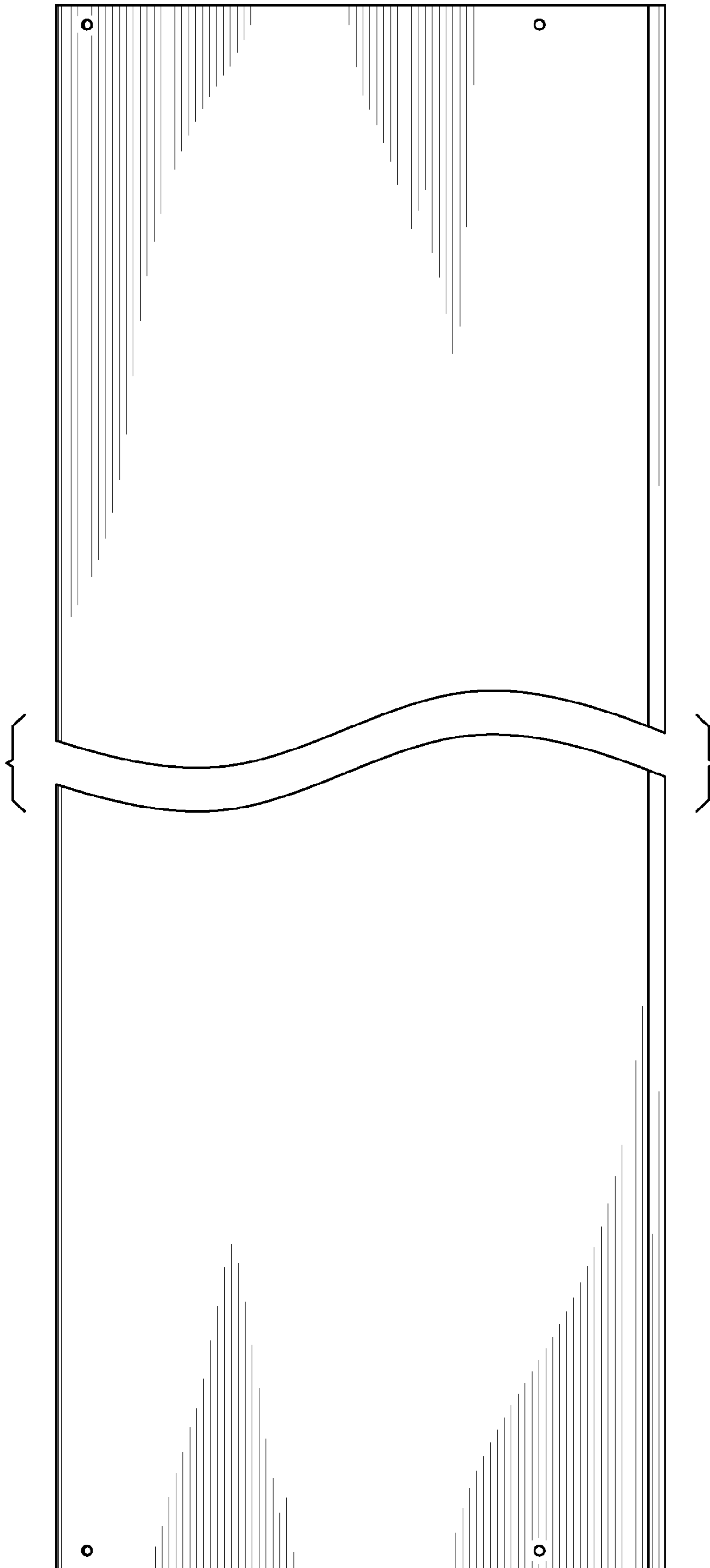


FIG. 2

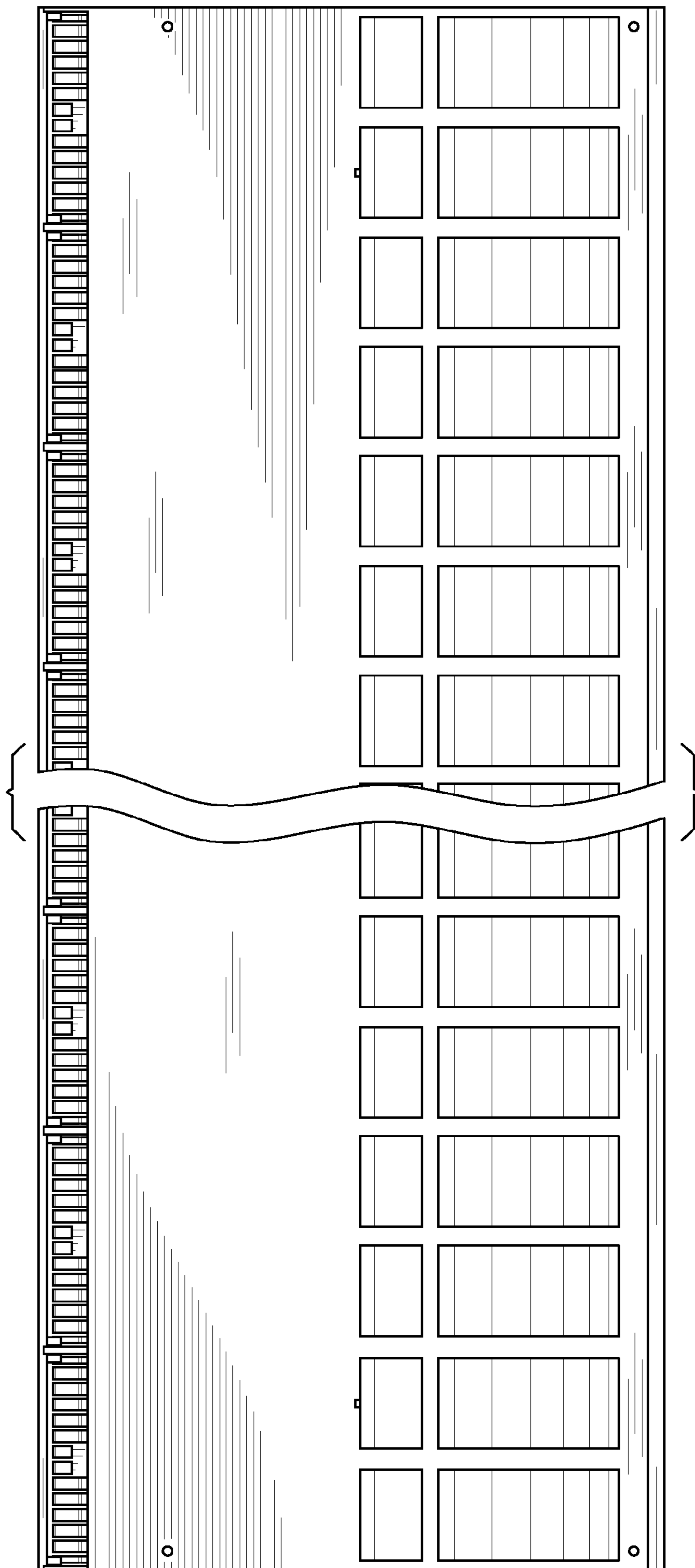


FIG. 3

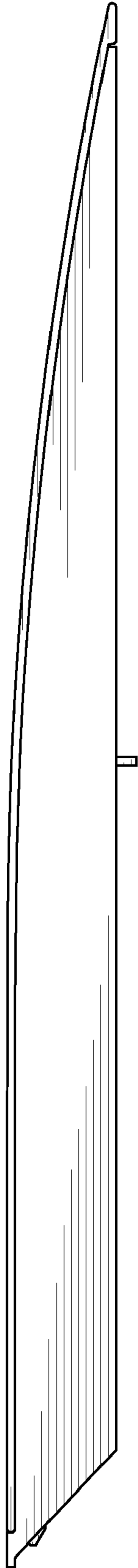


FIG. 4

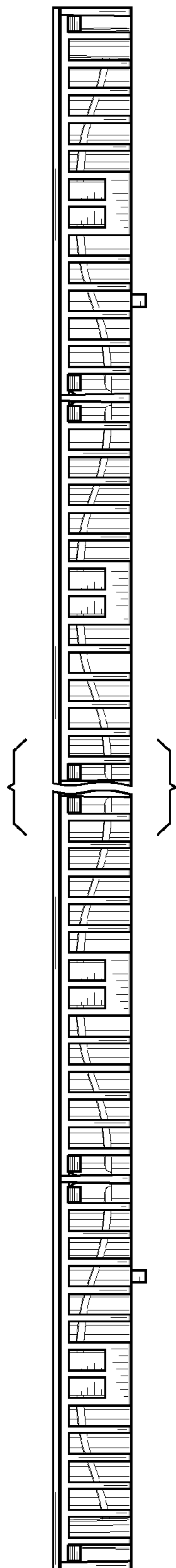


FIG. 5

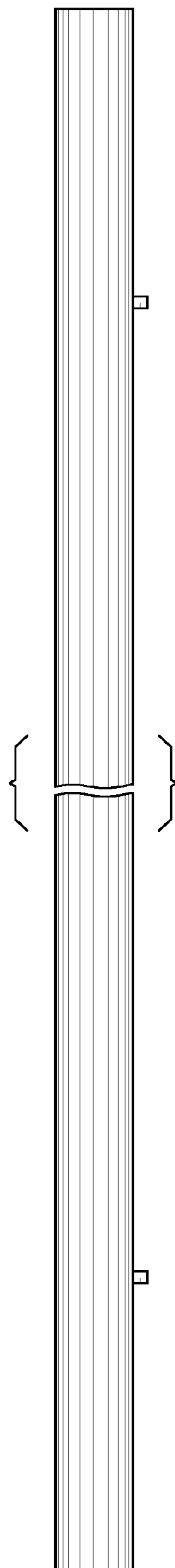


FIG. 7

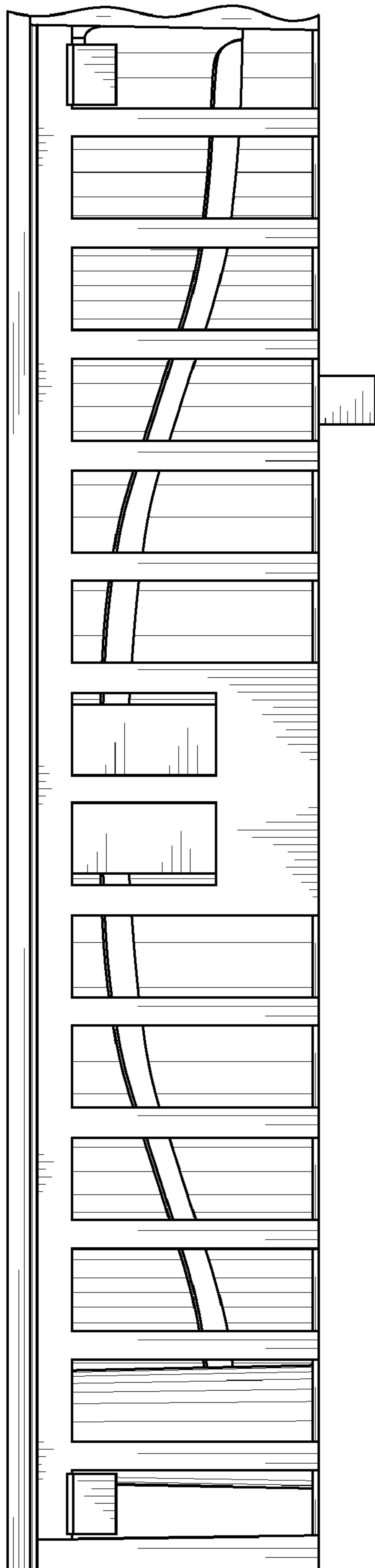


FIG. 6