



US00D574946S

(12) **United States Design Patent**
Hidalgo

(10) **Patent No.:** **US D574,946 S**

(45) **Date of Patent:** **** Aug. 12, 2008**

(54) **CEILING FAN**

(75) Inventor: **Rolando Hidalgo**, Orange, CA (US)

(73) Assignee: **Minka Lighting, Inc.**, Corona, CA (US)

(**) Term: **14 Years**

(21) Appl. No.: **29/299,276**

(22) Filed: **Dec. 21, 2007**

(51) **LOC (8) Cl.** **23-04**

(52) **U.S. Cl.** **D23/377**

(58) **Field of Classification Search** D23/377,
D23/379, 385, 411, 413; 416/5

See application file for complete search history.

(56) **References Cited**

U.S. PATENT DOCUMENTS

- D504,174 S * 4/2005 Thomas, Jr. D23/413
- D517,712 S * 3/2006 Pickett D26/59
- D526,733 S * 8/2006 Ertze D26/59
- D527,451 S * 8/2006 Glasbrenner D23/377
- D565,726 S * 4/2008 Hidalgo D23/413

OTHER PUBLICATIONS

Fanimation Internet Catalog; Sandella; Model #FP1820RS; printed from www.hansenwholesale.com on Apr. 25, 2007.

Concord Internet Catalog; Panama Weave; Model # CO-CO-52AAL4OWL; printed from www.hansenwholesale.com on Aug. 17, 2007.

Fanimation Internet Catalog; Treventi Amalfi; Model # FA-HA25AB; printed from www.hansenwholesale.com on Apr. 25, 2007.

Concord Internet Catalog; Criss Cross; Model # CO-52AAL4ORB; printed from www.hansenwholesale.com on Apr. 25, 2007.

* cited by examiner

Primary Examiner—Lisa P Lichtenstein

(74) *Attorney, Agent, or Firm*—Baker & McKenzie LLP

(57) **CLAIM**

The ornamental design for a ceiling fan, as shown and described.

DESCRIPTION

FIG. 1 is a bottom perspective view of a ceiling fan in accordance with my design;

FIG. 2 is a reduced top plan view of the ceiling fan in accordance with my design;

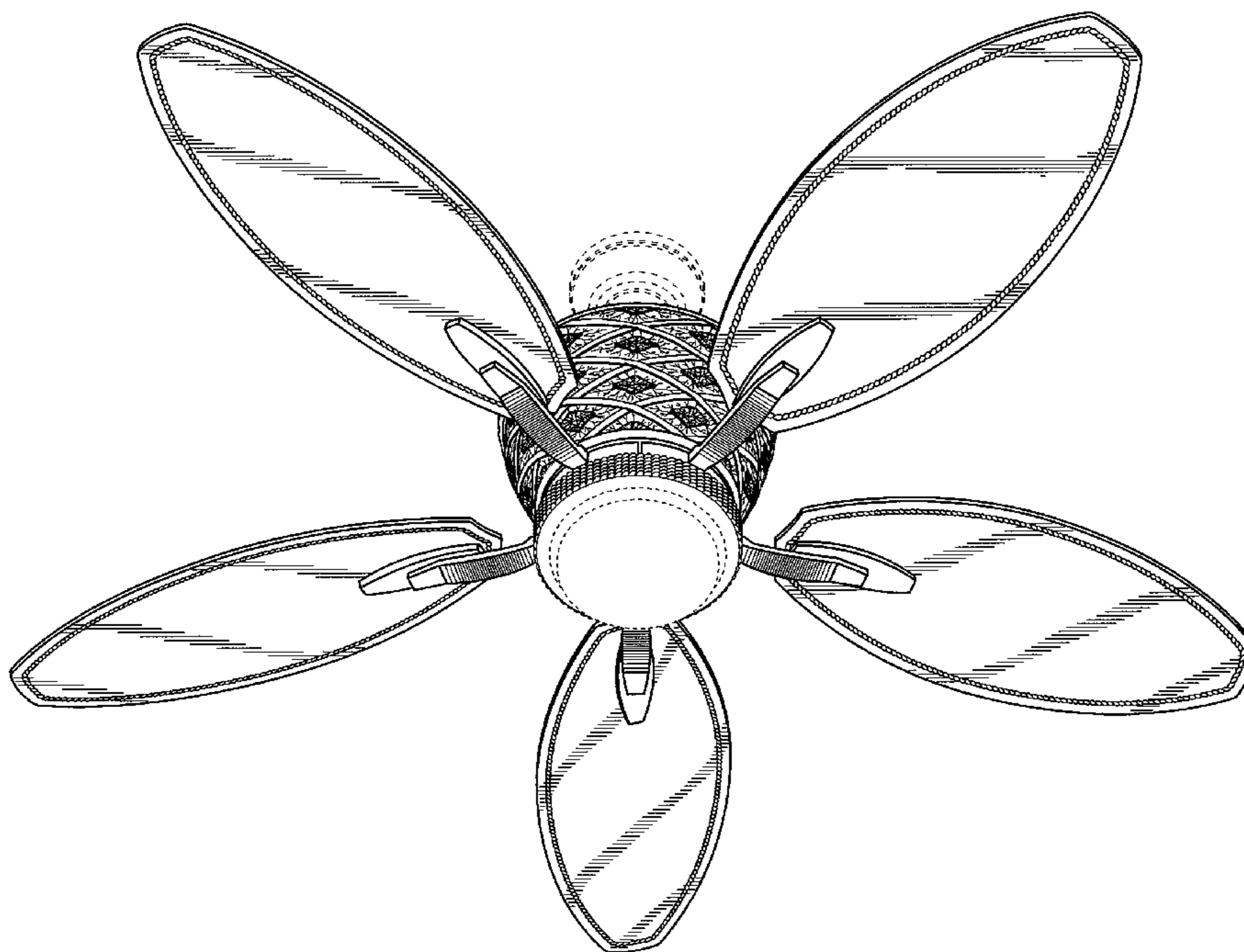
FIG. 3 is a reduced bottom plan view of the ceiling fan in accordance with my design;

FIG. 4 is an enlarged front elevation view of the ceiling fan in accordance with my design, the opposite side being a mirror image of that shown except for the position of the fan blades; and,

FIG. 5 is an enlarged side elevation view of the ceiling fan in accordance with my design, the opposite side being a mirror image of that shown except for the position of the fan blades.

The broken line showing of the canopy and light fixture is included for the purpose of illustrating environmental structure and forms no part of the claimed design.

1 Claim, 5 Drawing Sheets



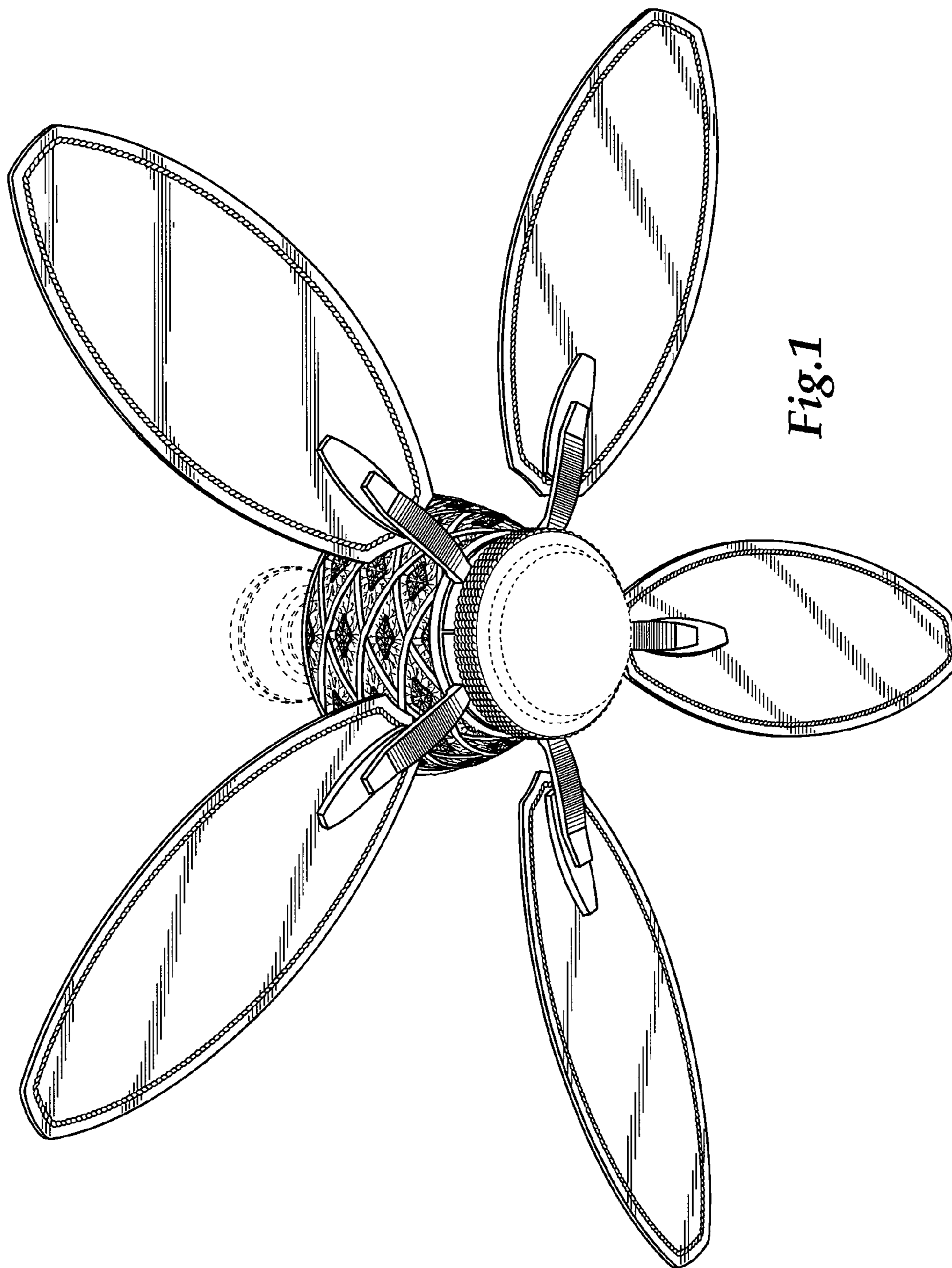


Fig.1

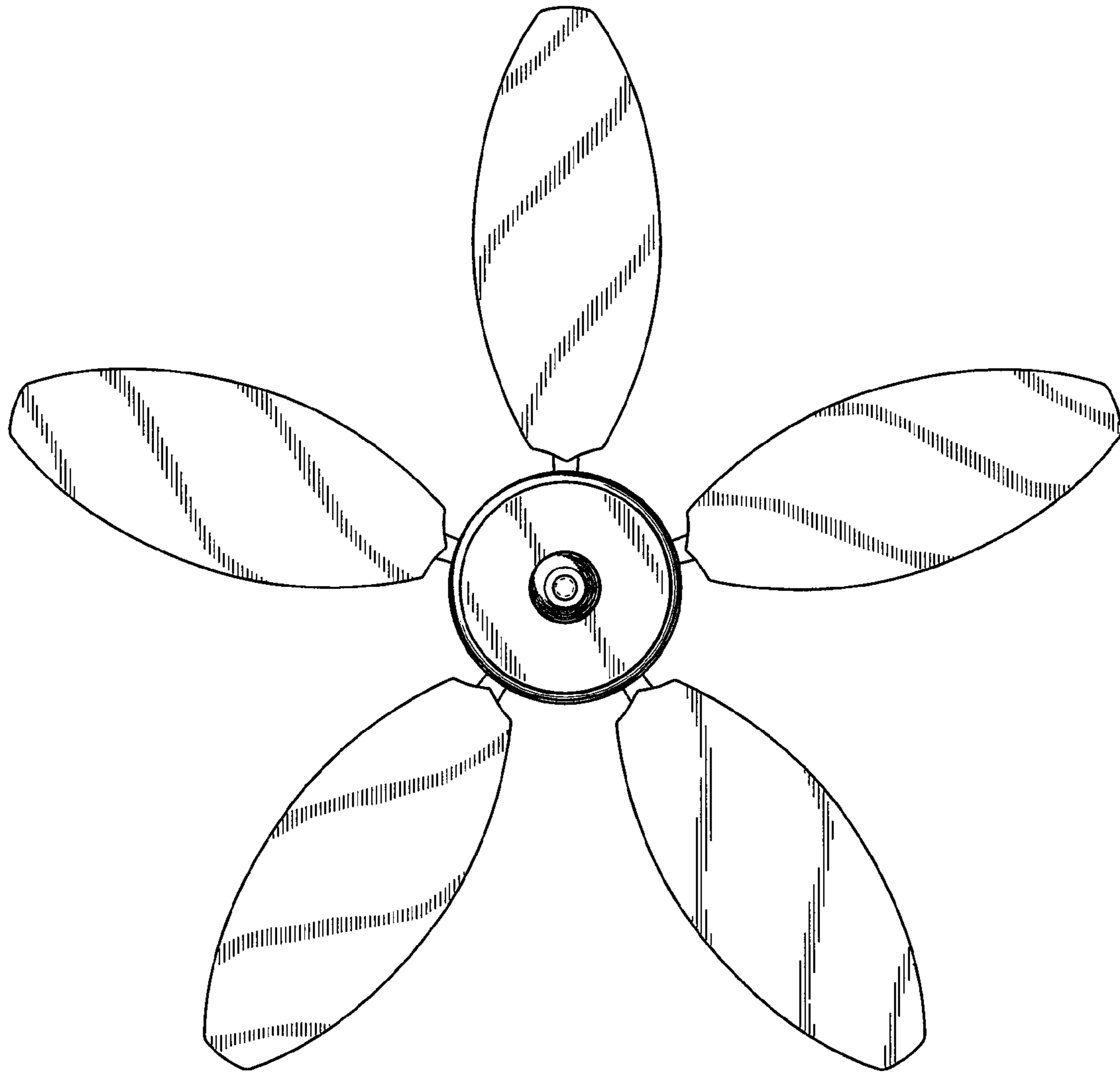


Fig.2

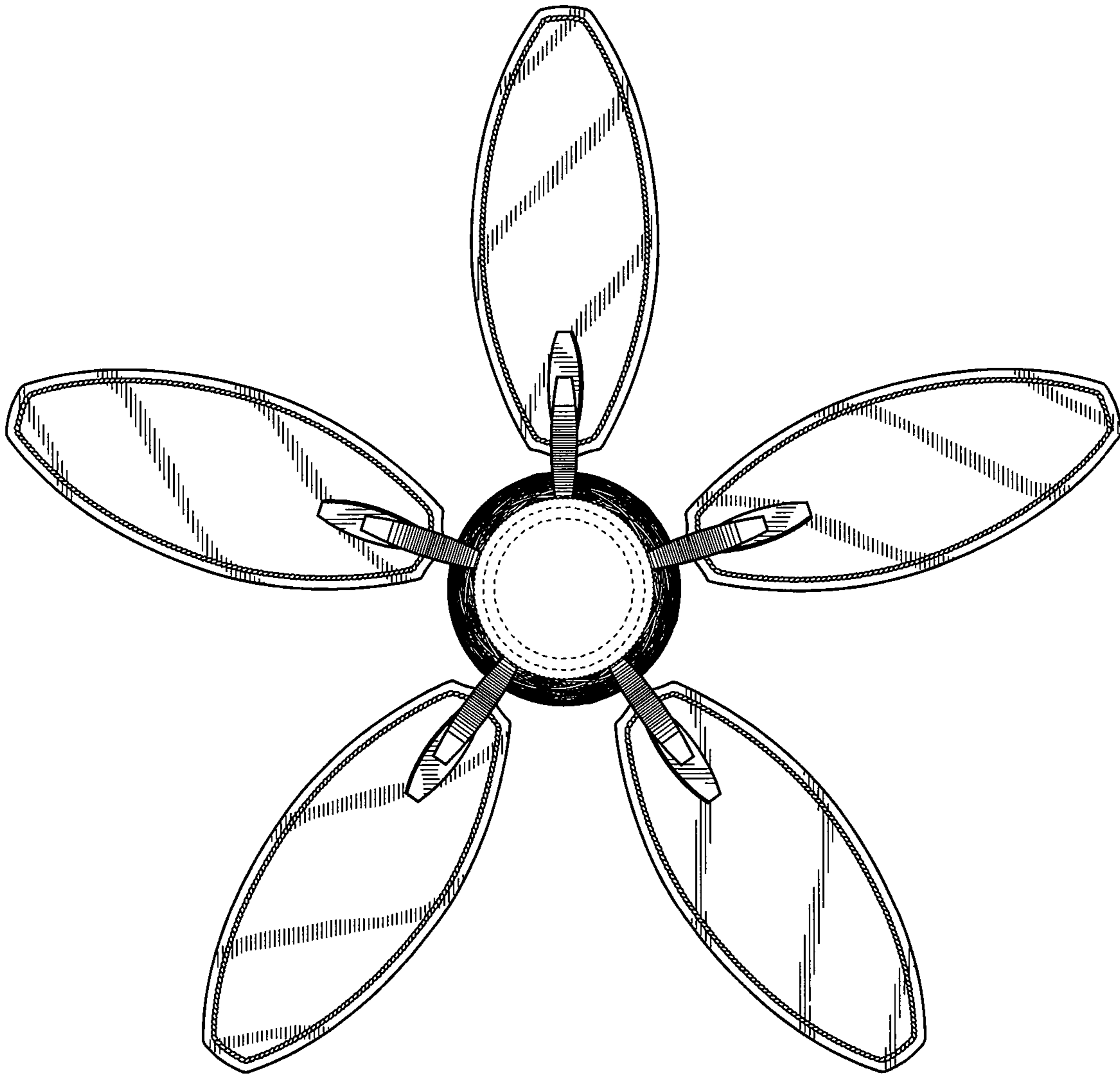


Fig.3

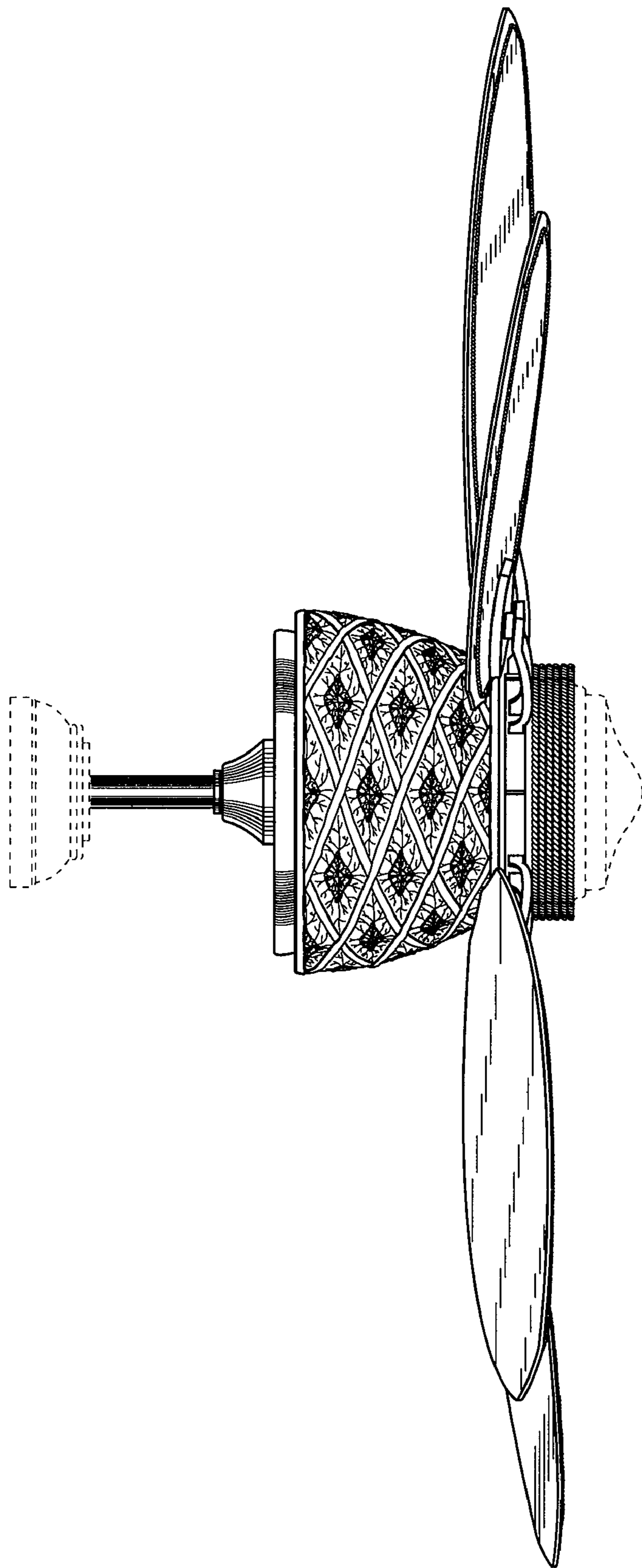


Fig. 4

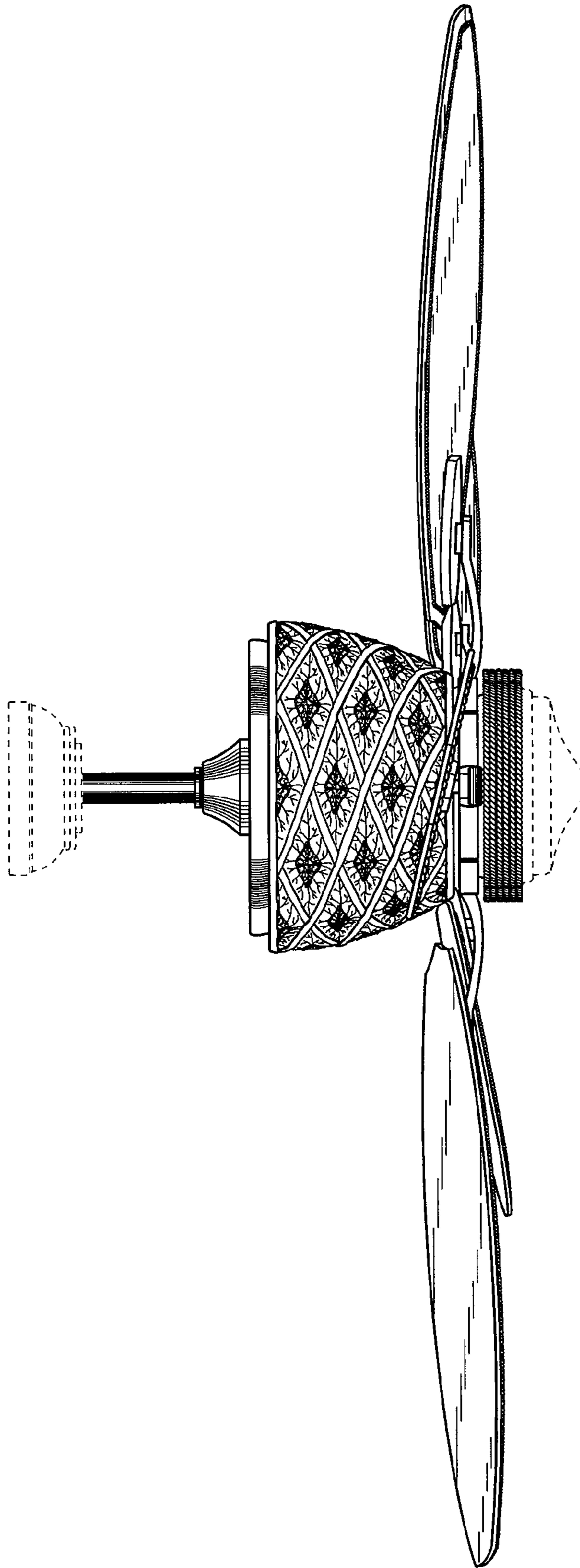


Fig.5