



US00D574945S

(12) **United States Design Patent**
Hidalgo

(10) **Patent No.:** **US D574,945 S**

(45) **Date of Patent:** **** Aug. 12, 2008**

(54) **CEILING FAN**

(75) Inventor: **Rolando Hidalgo**, Orange, CA (US)

(73) Assignee: **Minka Lighting, Inc.**, Corona, CA (US)

(**) Term: **14 Years**

(21) Appl. No.: **29/299,252**

(22) Filed: **Dec. 20, 2007**

(51) **LOC (8) Cl.** **23-04**

(52) **U.S. Cl.** **D23/377**

(58) **Field of Classification Search** D23/377,
D23/379, 385, 413, 411; 416/5

See application file for complete search history.

(56) **References Cited**

U.S. PATENT DOCUMENTS

D431,664 S	*	10/2000	Hsieh	D26/82
D476,410 S	*	6/2003	Young	D23/411
D520,632 S	*	5/2006	Tai	D23/411
D527,452 S		8/2006	Hidalgo		
D527,453 S		8/2006	Hidalgo		
D563,010 S	*	2/2008	Pickett	D26/59

OTHER PUBLICATIONS

Hunter Internet Catalog; Charmaine; Model #28194; printed from www.hansenwhole.com on Apr. 25, 2007.

Emerson Internet Catalog; Athenian; Model #CF2400PW; printed from www.hansenwhole.com on Apr. 25, 2007.

Emerson Internet Catalog; Contours; Model #KF140TZ; printed from www.hansenwhole.com on Apr. 25, 2007.

Casa Vieja Internet Catalog; Heirloom Mission; Model #44814; printed from www.lampsplus.com on Aug. 1, 2007.

Hampton Bay Internet Catalog; Miramar; Model #AC374-BN; printed from www.homedepot.com on May 16, 2007.

* cited by examiner

Primary Examiner—Lisa P Lichtenstein

(74) *Attorney, Agent, or Firm*—Baker & McKenzie LLP

(57) **CLAIM**

The ornamental design for a ceiling fan, as shown and described.

DESCRIPTION

FIG. 1 is a bottom perspective view of a ceiling fan in accordance with my design;

FIG. 2 is a reduced top plan view of the ceiling fan in accordance with my design;

FIG. 3 is a reduced bottom plan view of the ceiling fan in accordance with my design;

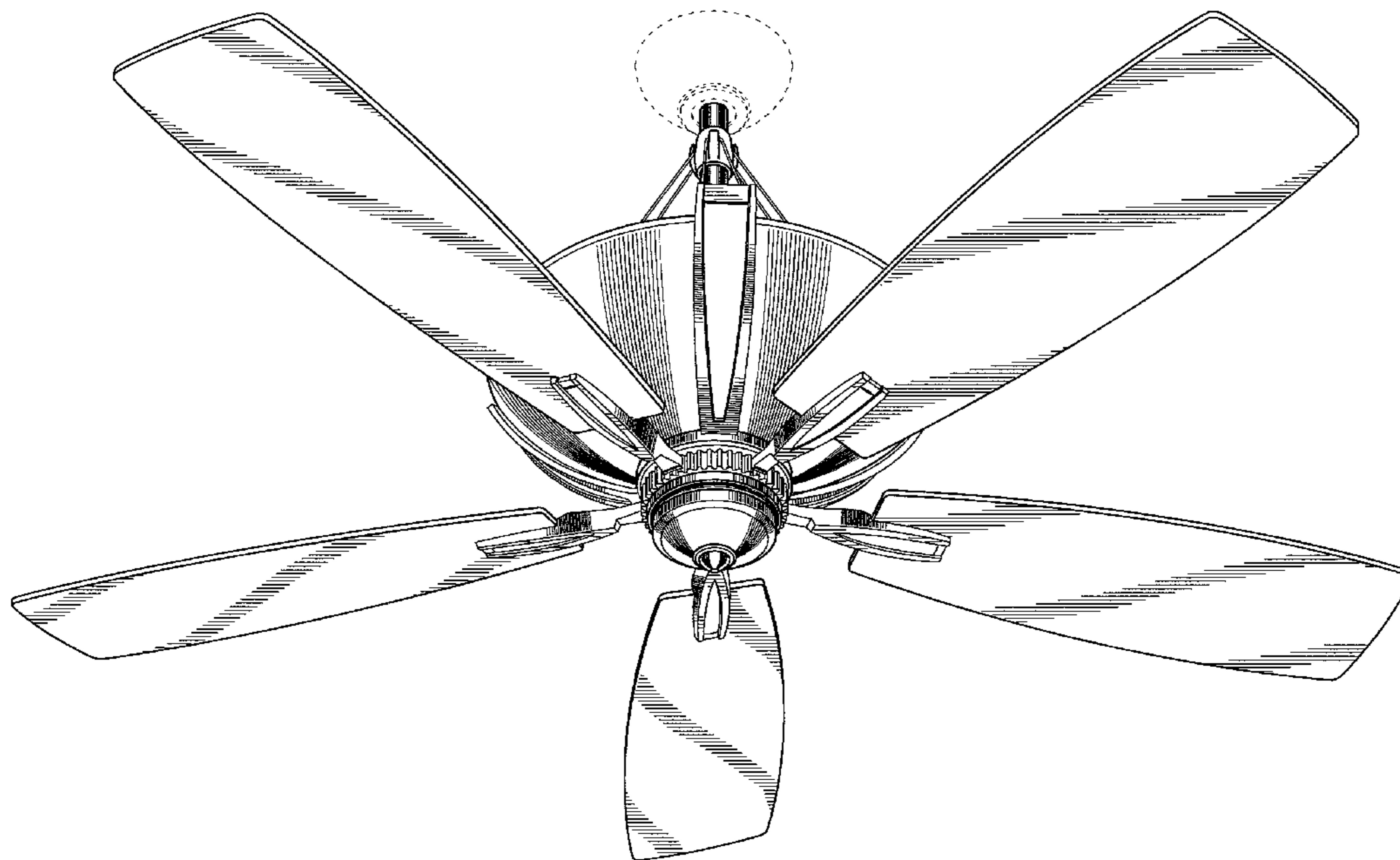
FIG. 4 is an enlarged front elevation view of the ceiling fan in accordance with my design;

FIG. 5 is an enlarged back elevation view of the ceiling fan in accordance with my design; and,

FIG. 6 is an enlarged side elevation view of the ceiling fan in accordance with my design, the opposite view being a mirror image of that shown except for the position of the fan blades.

The broken line showing of the canopy and the apertures in the top cover of the ceiling fan housing is included for the purpose of illustrating environmental structure and forms no part of the claimed design.

1 Claim, 6 Drawing Sheets



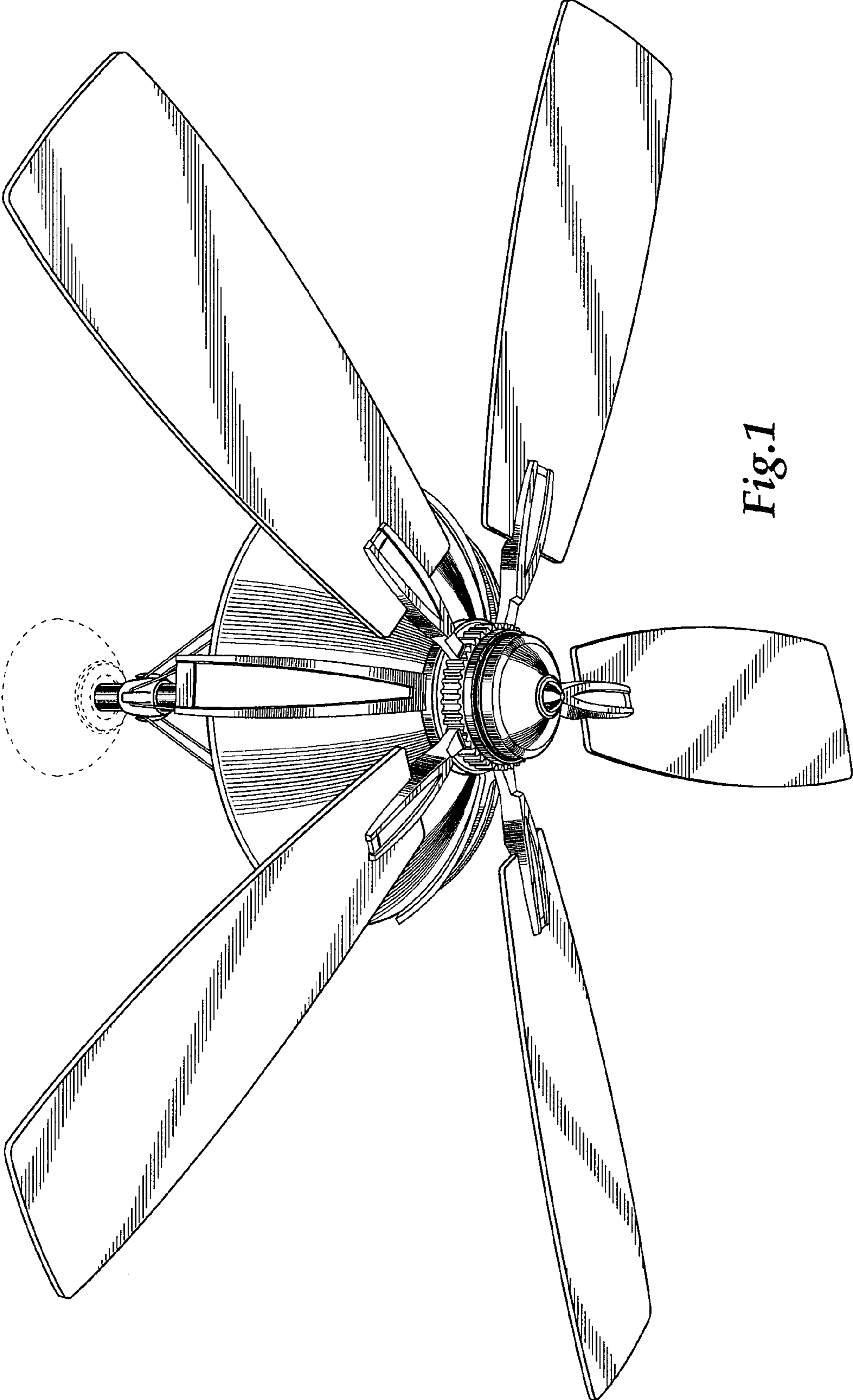


Fig. 1

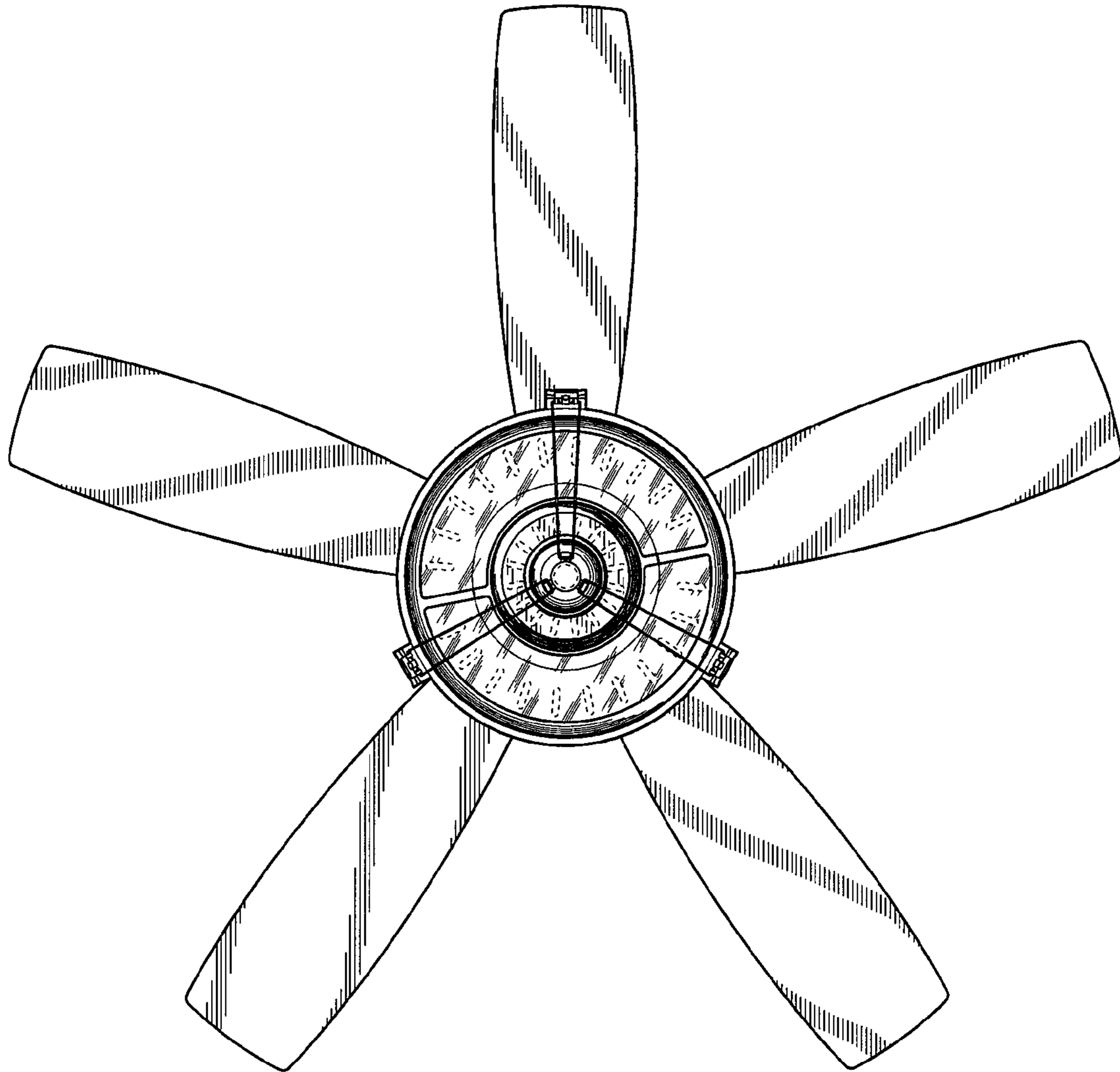


Fig.2

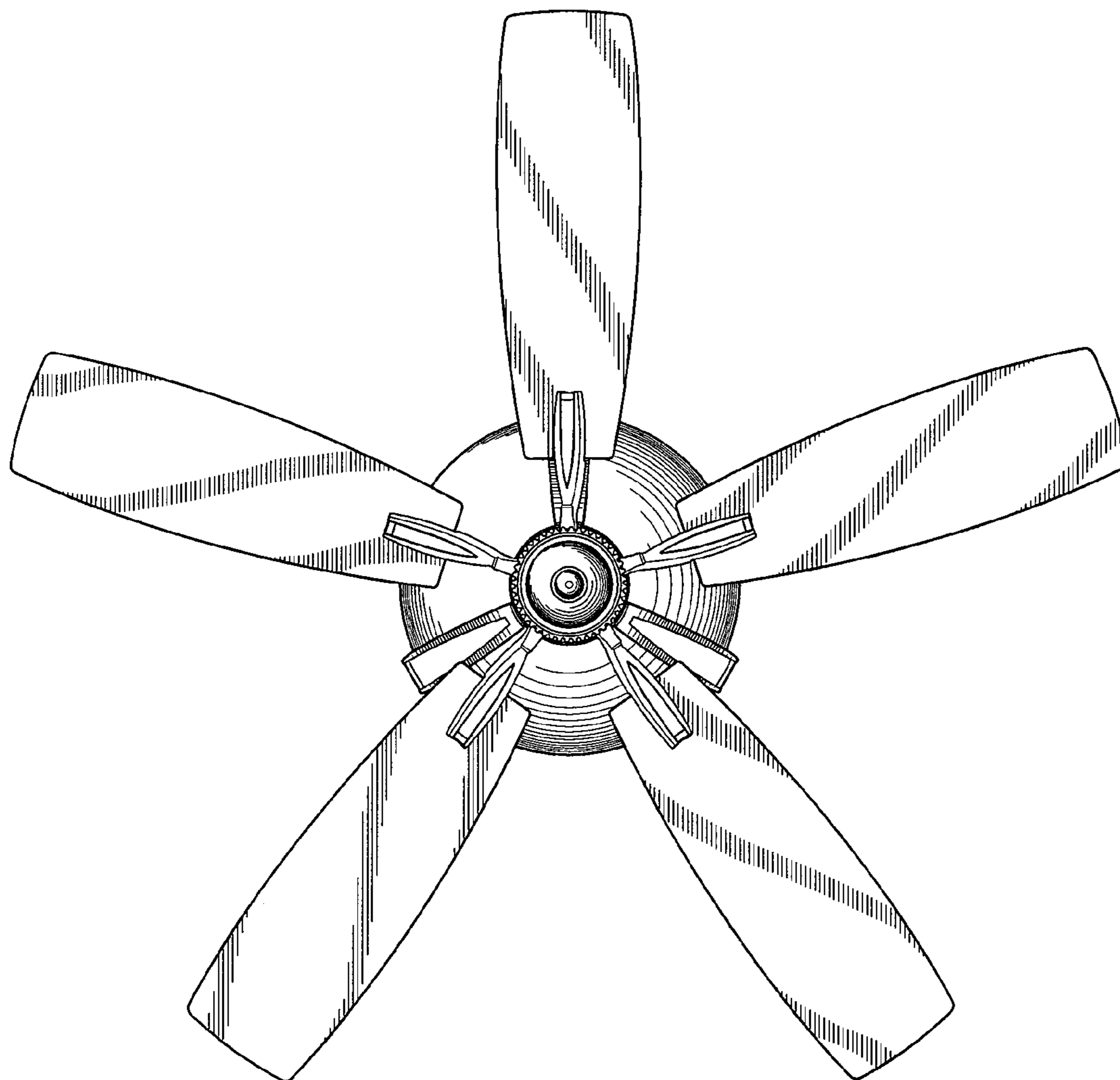


Fig.3

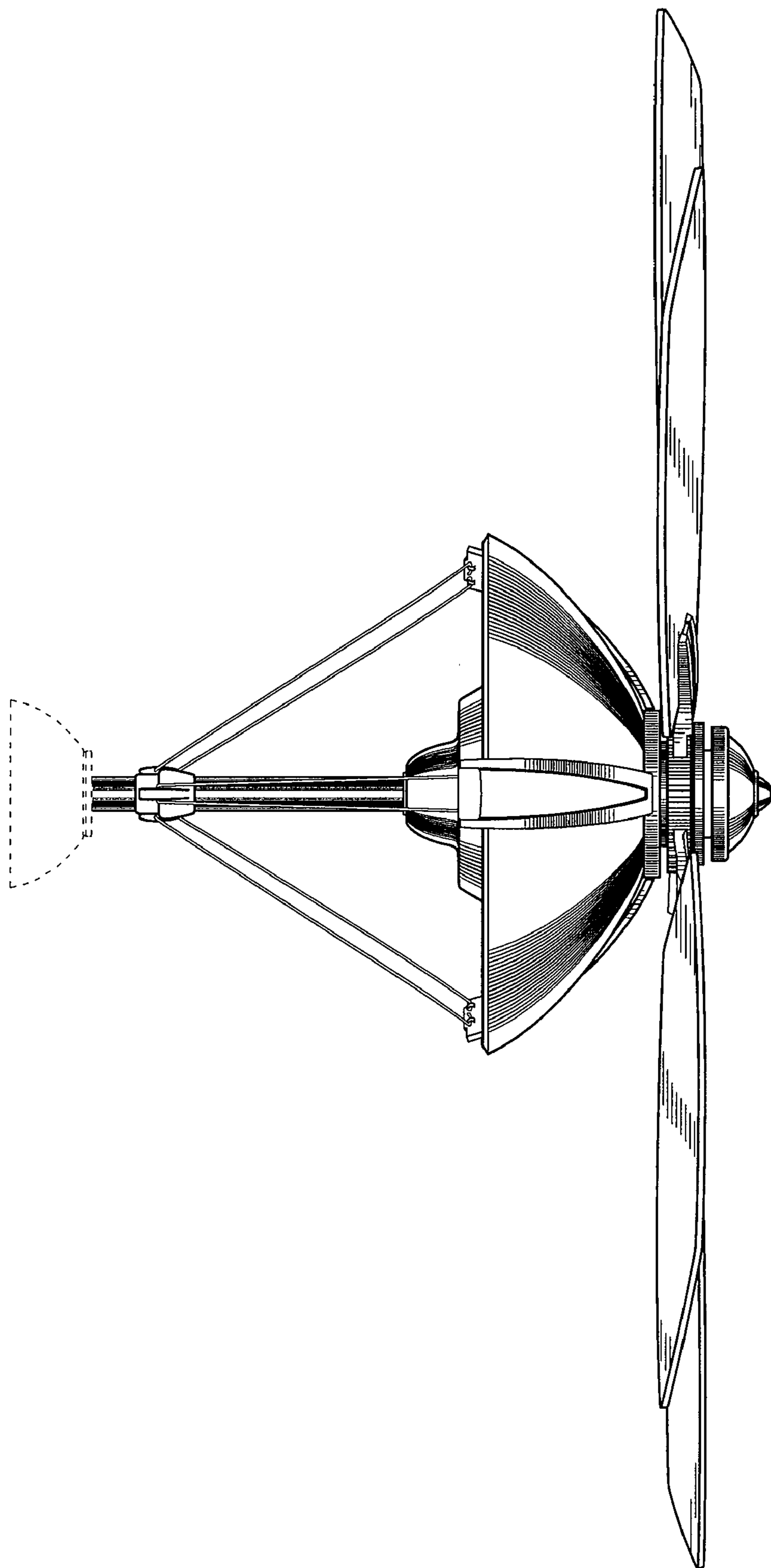


Fig. 4

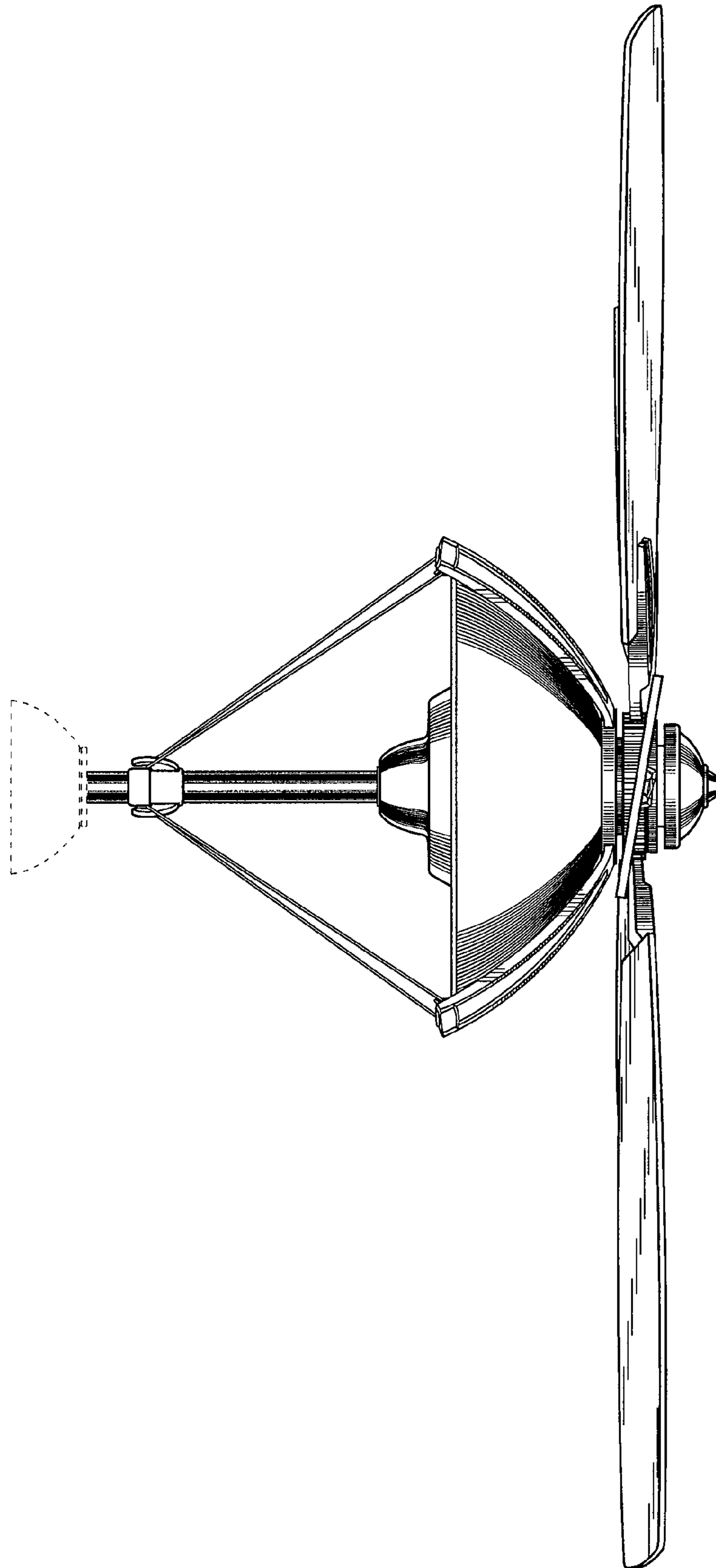


Fig. 5

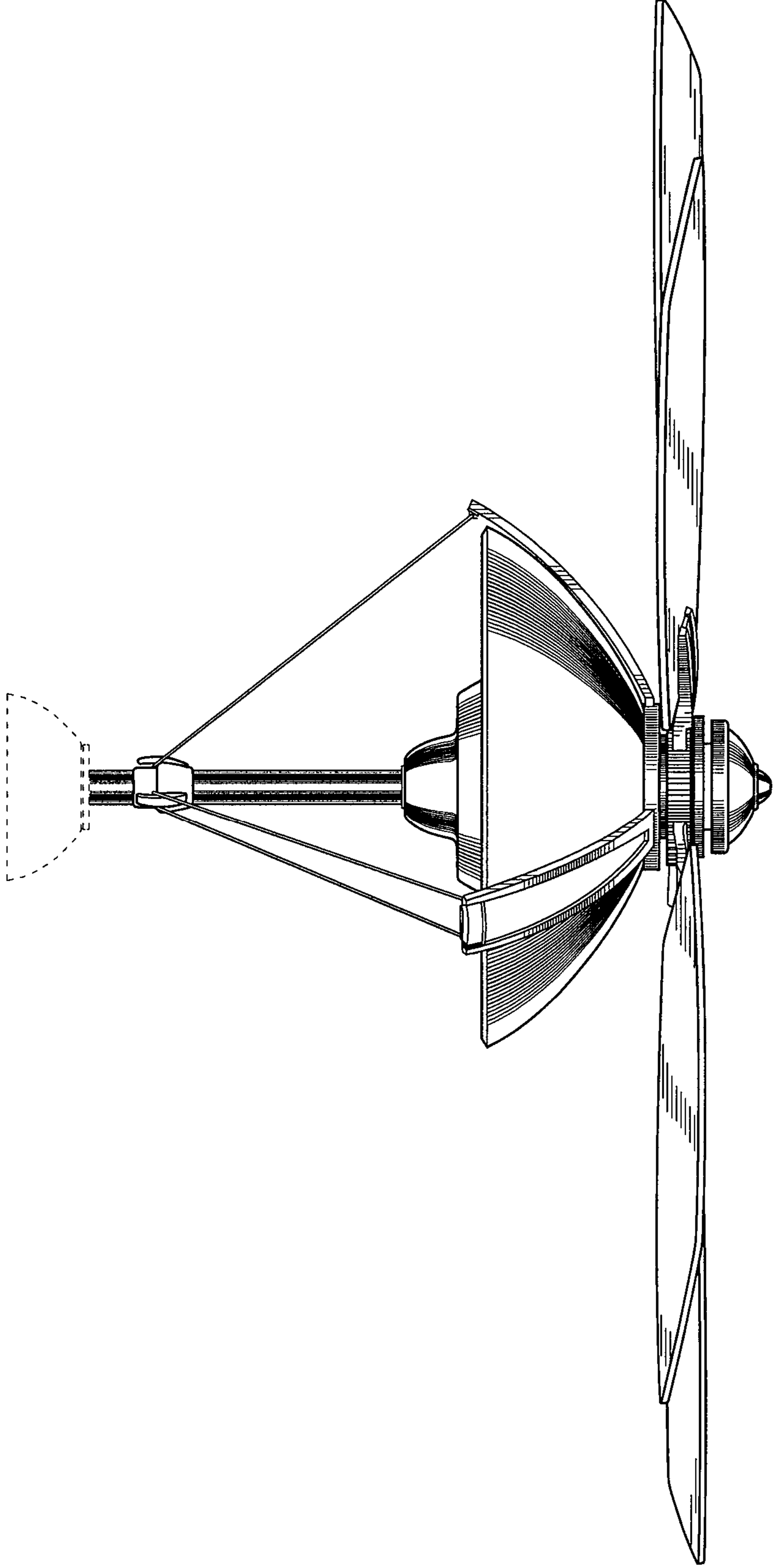


Fig.6