



US00D574941S

(12) **United States Design Patent**
Weggelaar

(10) **Patent No.:** **US D574,941 S**

(45) **Date of Patent:** **** Aug. 12, 2008**

(54) **AIR DEODORISING APPARATUS**

(75) Inventor: **Bjorn Weggelaar**, Haarlem (NL)

(73) Assignee: **Sara Lee Household and Body Care**
Nederland B.V. (NL)

(**) Term: **14 Years**

(21) Appl. No.: **29/295,589**

(22) Filed: **Oct. 2, 2007**

(51) **LOC (8) Cl.** **28-99**

(52) **U.S. Cl.** **D23/366**

(58) **Field of Classification Search** D23/355-369;
261/DIG. 17, DIG. 42, DIG. 65, DIG. 88,
261/DIG. 89; D28/5, 6; 392/386, 390-394,
392/401, 404, 406; 239/34, 35, 41-44, 53-60,
239/136, 326

See application file for complete search history.

(56) **References Cited**

U.S. PATENT DOCUMENTS

D393,063 S	3/1998	Wefler	
D425,190 S	5/2000	Morikawa	
D432,222 S	10/2000	Rymer et al.	
D433,744 S	11/2000	Basaganas	
D437,636 S	2/2001	Basaganas	
D439,320 S	3/2001	Lee	
D440,291 S	4/2001	Wolpert et al.	
D447,550 S	9/2001	Basaganas	
D449,101 S	10/2001	Wolpert et al.	
D452,955 S	1/2002	Bulsink	
D453,560 S *	2/2002	Van Brunt D23/355
D456,886 S	5/2002	Hart et al.	
D461,549 S	8/2002	Garcia	
D461,885 S	8/2002	Jordi	
D462,755 S	9/2002	Basaganas Millan	
D465,019 S	10/2002	Wu	
D466,204 S	11/2002	Wolpert et al.	
D468,627 S	1/2003	Dampney	
D469,862 S	2/2003	Cruver et al.	

D473,638 S	4/2003	Cruver, IV
D474,268 S	5/2003	Choke-arpornchai et al.
D478,379 S	8/2003	Talenton et al.
D480,792 S	10/2003	Millan
D481,787 S	11/2003	Millan
D485,340 S	1/2004	Wu

(Continued)

Primary Examiner—Sandra Snapp

(74) *Attorney, Agent, or Firm*—Foley & Lardner LLP

(57) **CLAIM**

I claim the ornamental design for an air deodorising apparatus, as shown and described.

DESCRIPTION

FIG. 1 is a top, front, right side perspective view of an air deodorising apparatus comprising the present invention.

FIG. 2 is a top, rear, left side perspective view of the air deodorising apparatus shown in FIG. 1.

FIG. 3 is a front elevational view of the air deodorising apparatus shown in FIG. 1 and FIG. 2.

FIG. 4 is a rear elevational view of the air deodorising apparatus shown in FIG. 1, FIG. 2, and FIG. 3.

FIG. 5 is a right side elevational view of the air deodorising apparatus shown in FIG. 1, FIG. 2, FIG. 3, and FIG. 4.

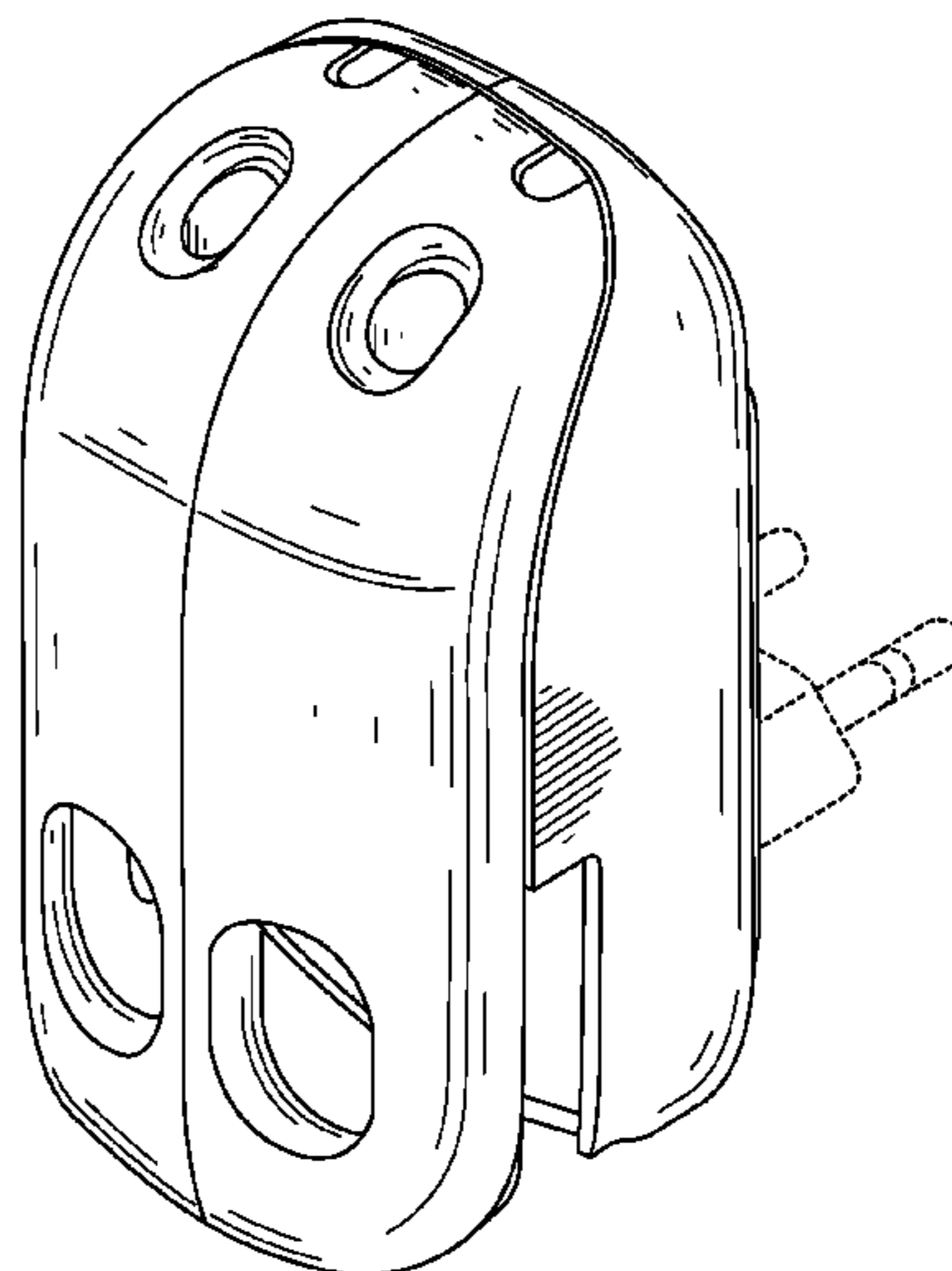
FIG. 6 is a left side elevational view of the air deodorising apparatus shown in FIG. 1, FIG. 2, FIG. 3, FIG. 4, and FIG. 5.

FIG. 7 is a top plan view of the air deodorising apparatus shown in FIG. 1, FIG. 2, FIG. 3, FIG. 4, FIG. 5, and FIG. 6; and,

FIG. 8 is a bottom plan view of the air deodorising apparatus shown in FIG. 1, FIG. 2, FIG. 3, FIG. 4, FIG. 5, FIG. 6, and FIG. 7.

The broken line showing of the electrical plug on the air deodorising apparatus is for illustrative purposes only and forms no part of the claimed design.

1 Claim, 7 Drawing Sheets



US D574,941 S

Page 2

U.S. PATENT DOCUMENTS

D485,341 S	1/2004	Wu	D502,540 S	3/2005	Cruver et al.	
D487,144 S	2/2004	Choke-arpornchai et al.	D508,558 S *	8/2005	Wolpert et al.	D23/366
D491,256 S	6/2004	Fellows et al.	D529,162 S *	9/2006	Bulsink	D23/366
D491,798 S	6/2004	Buthier	D534,265 S	12/2006	Weggelaar	
D501,546 S	2/2005	Cruver et al.	D547,852 S *	7/2007	Wu	D23/366
D501,921 S	2/2005	Caserta et al.	D561,319 S *	2/2008	Weggelaar	D23/366

* cited by examiner

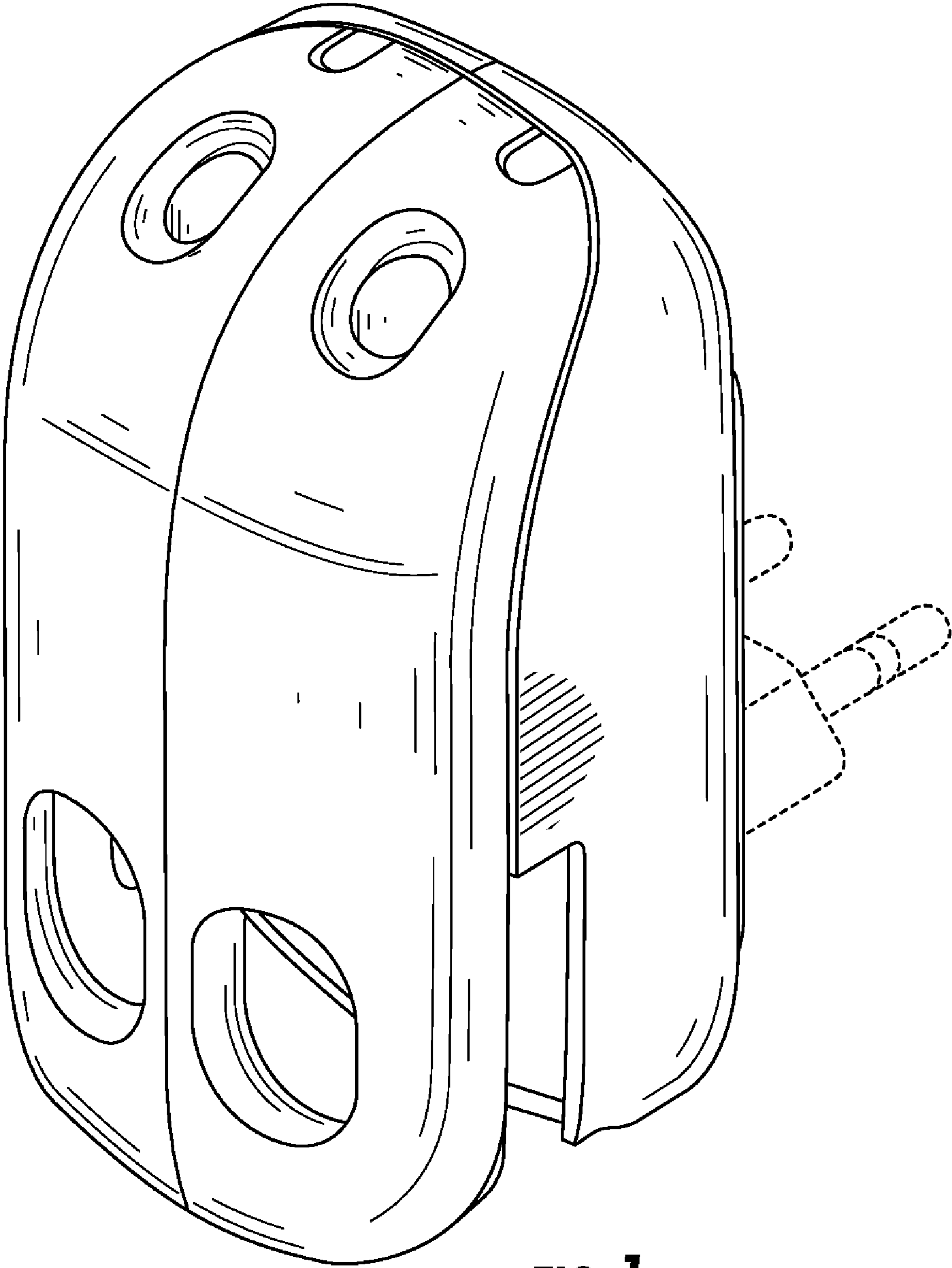


FIG. 1

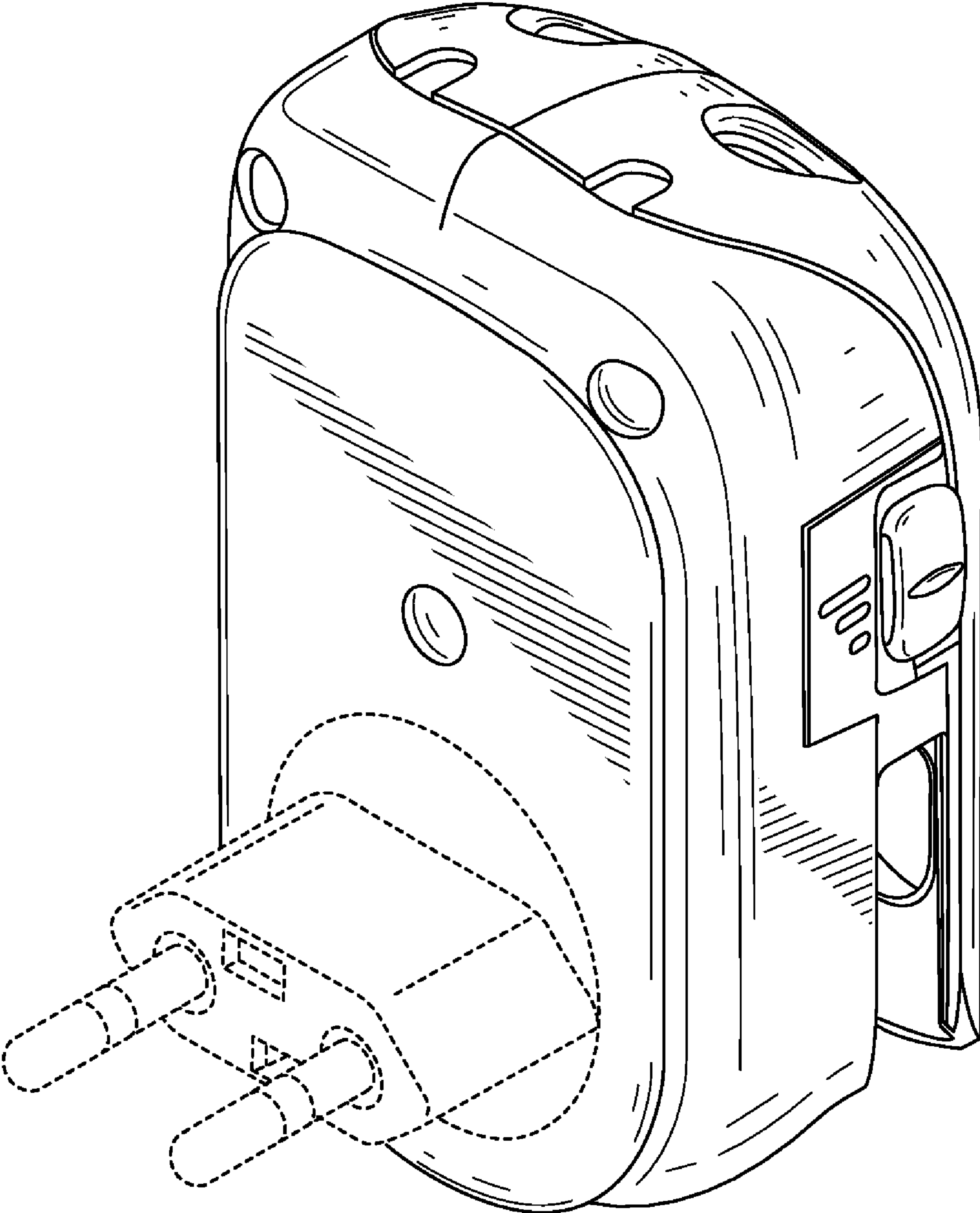


FIG. 2

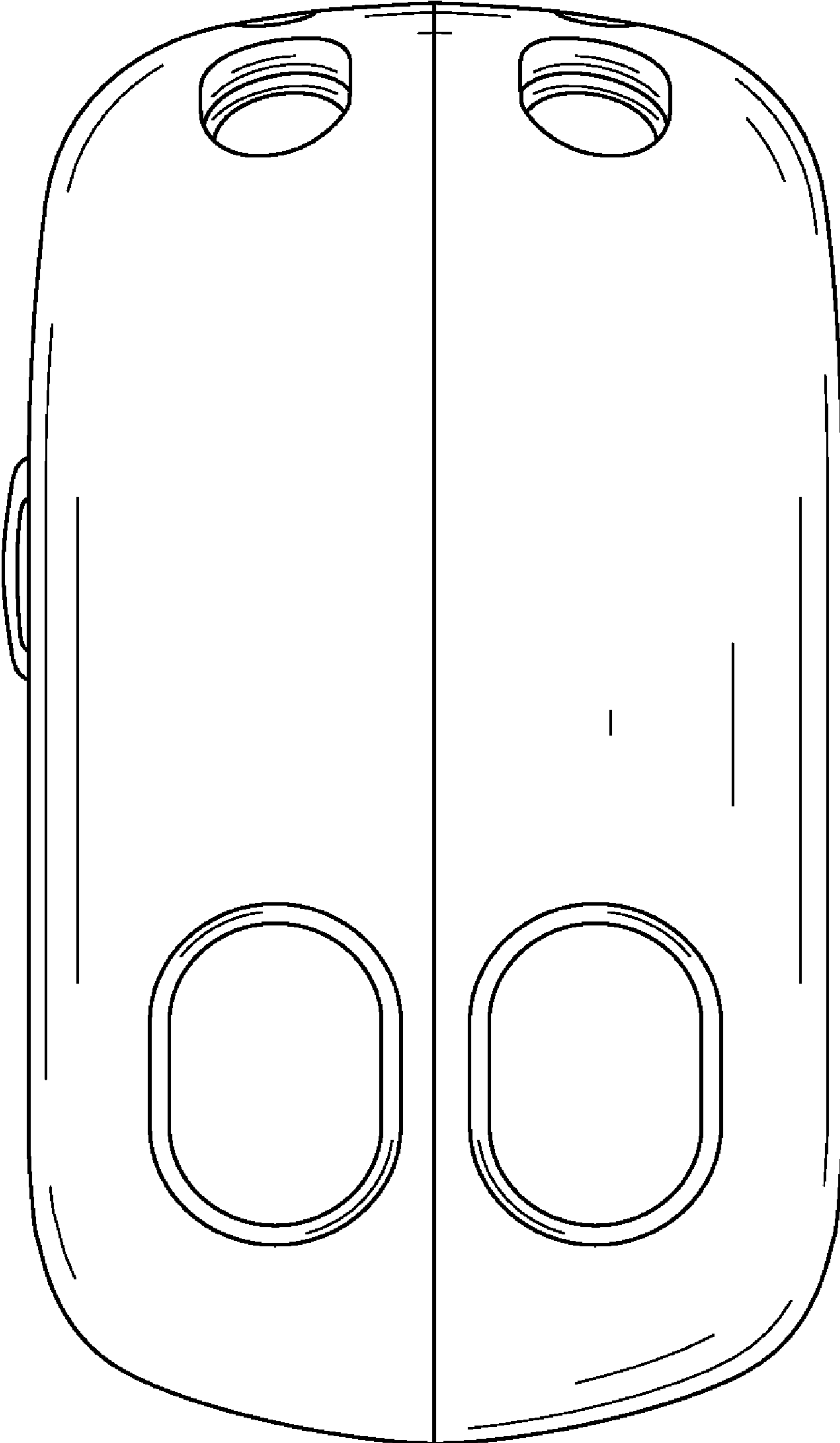


FIG. 3

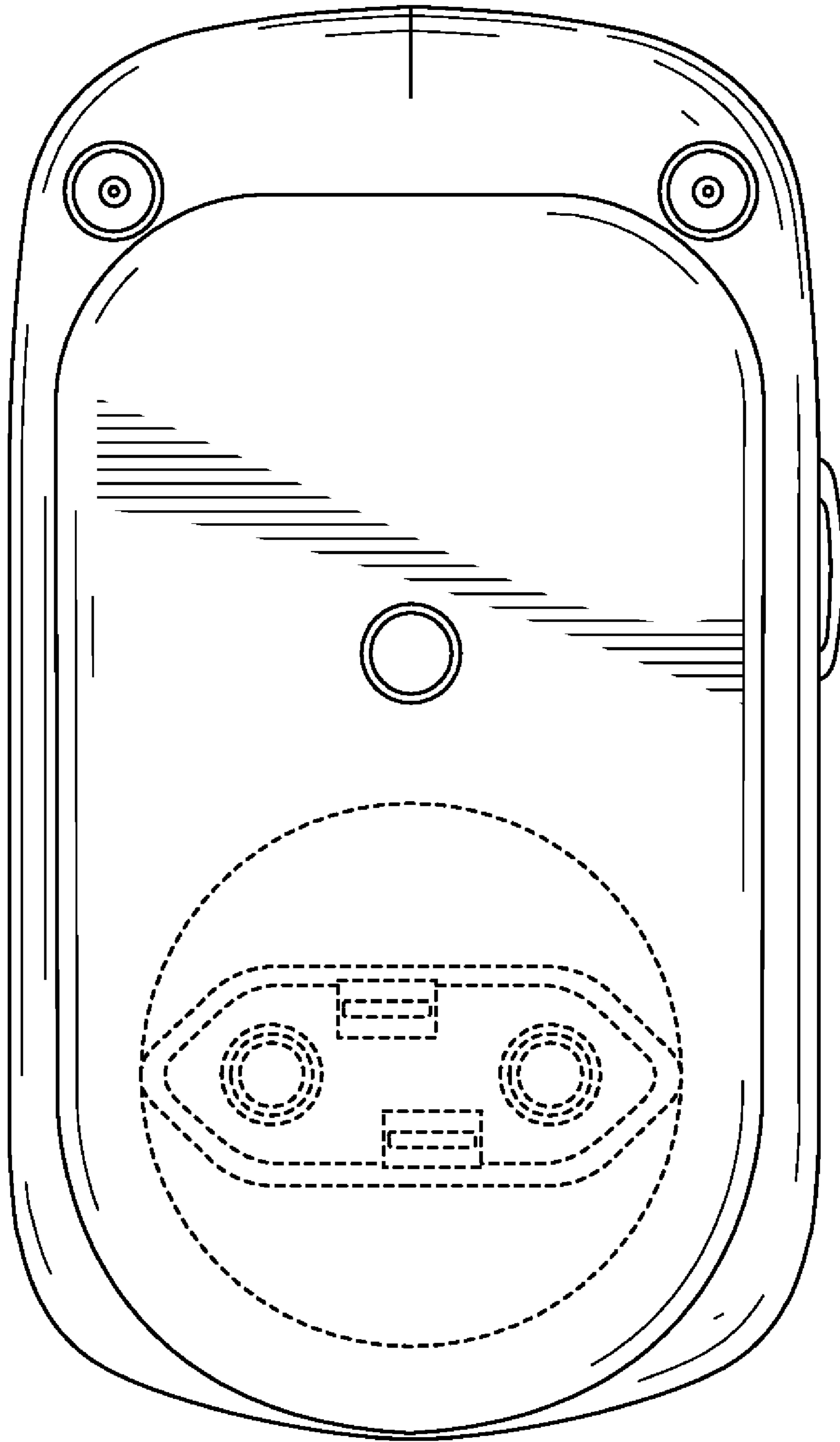


FIG. 4

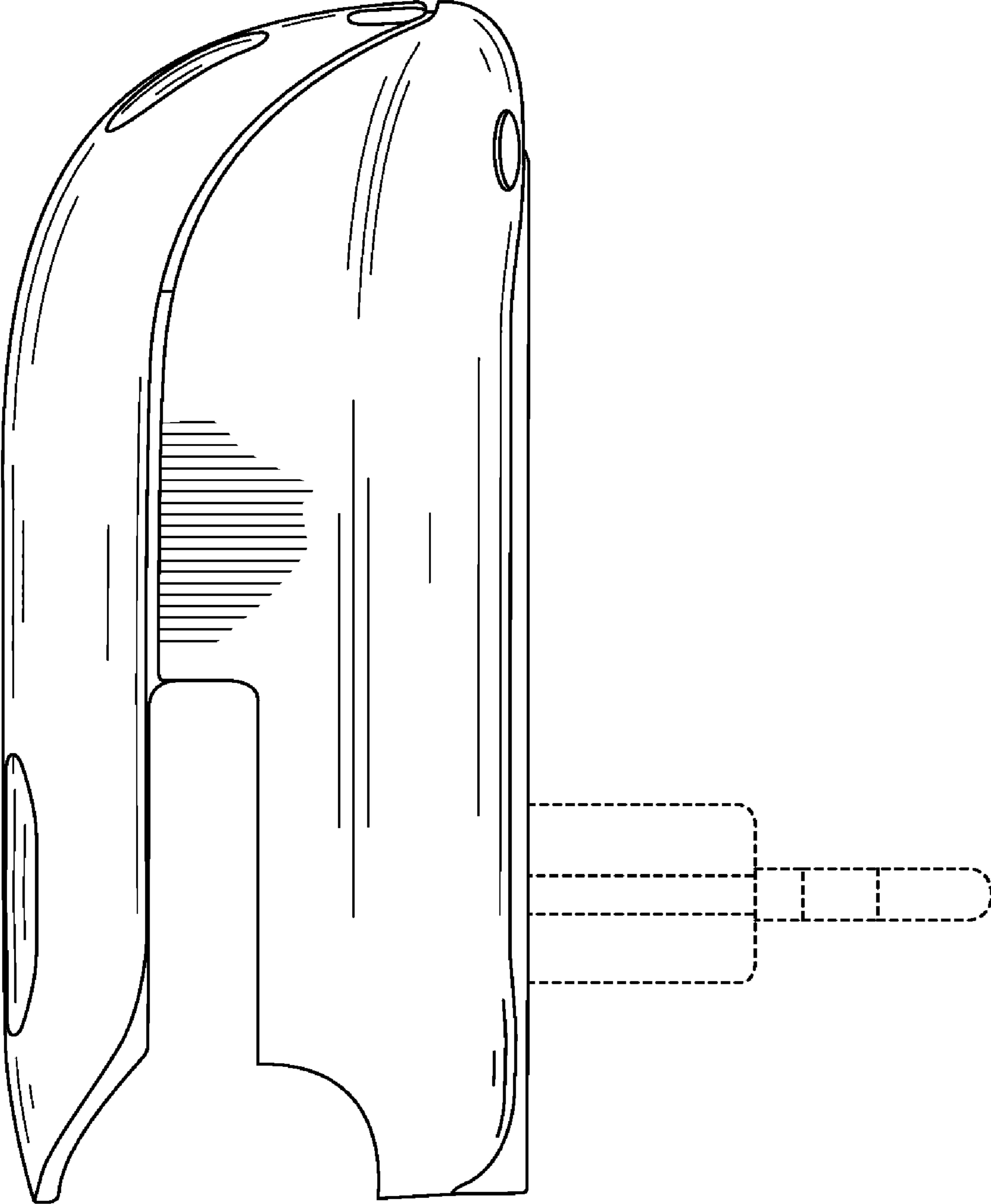


FIG. 5

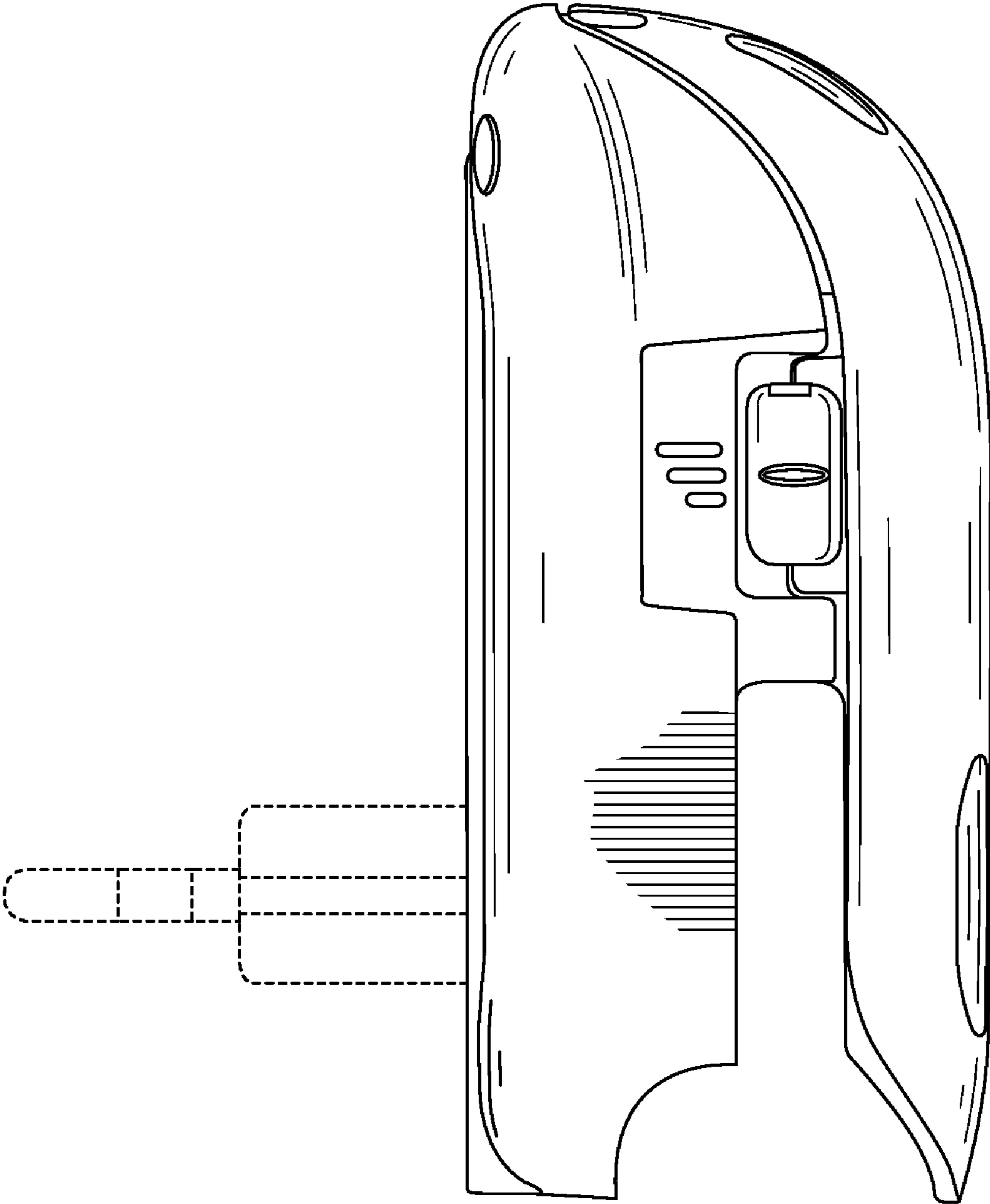


FIG. 6

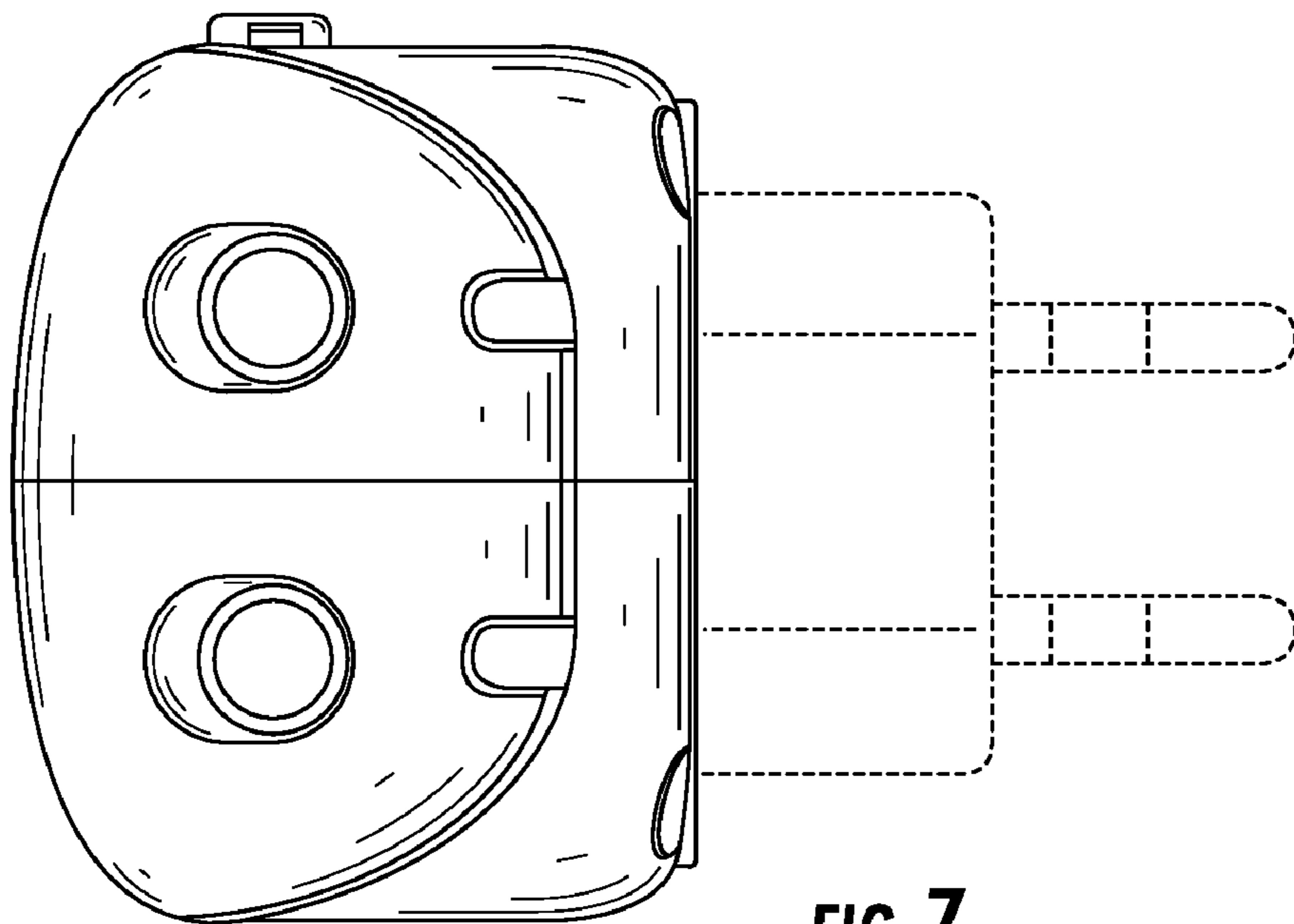


FIG. 7

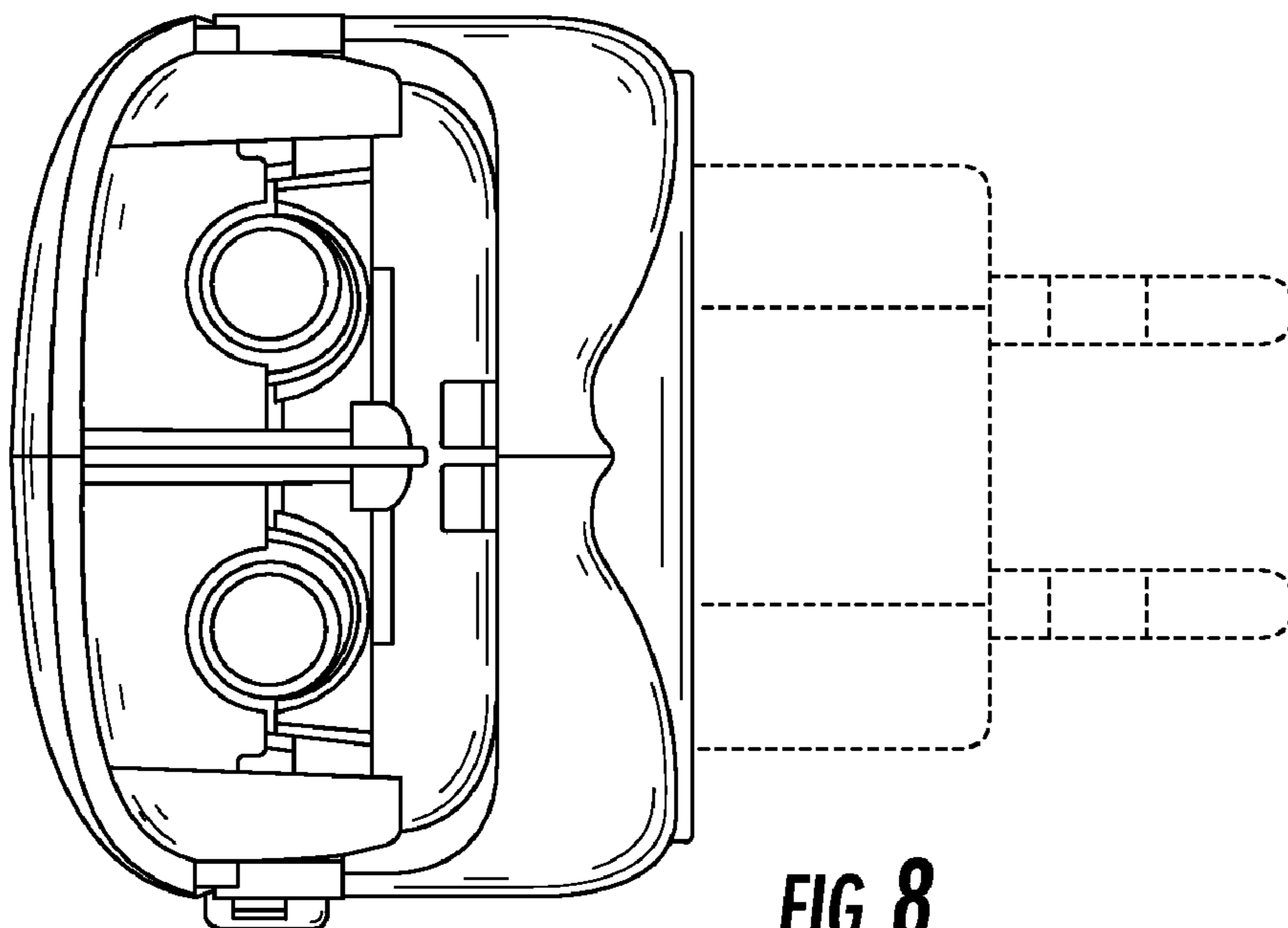


FIG. 8