



US00D574940S

(12) **United States Design Patent**
Quinn et al.

(10) **Patent No.:** **US D574,940 S**

(45) **Date of Patent:** **** Aug. 12, 2008**

(54) **AIR DRYER SYSTEM**

(75) Inventors: **Leonard A. Quinn**, Lagrange, OH (US);
Fred W. Hoffman, Columbia Station,
OH (US)

(73) Assignee: **Bendix Commercial Vehicle Systems**
LLC, Elyria, OH (US)

(**) Term: **14 Years**

(21) Appl. No.: **29/270,737**

(22) Filed: **Jan. 3, 2007**

Related U.S. Application Data

(62) Division of application No. 29/203,714, filed on Apr.
19, 2004, now Pat. No. Des. 546,431.

(51) **LOC (8) Cl.** **23-04**

(52) **U.S. Cl.** **D23/359**

(58) **Field of Classification Search** D23/355,
D23/364-5, 356, 359; 55/385.3, DIG. 17;
96/147; 34/80

See application file for complete search history.

(56) **References Cited**

U.S. PATENT DOCUMENTS

1,993,201 A	3/1935	Yandell	
2,606,628 A	8/1952	Hasselwander	
3,353,339 A	11/1967	Walter	
4,052,178 A	10/1977	Frantz	
4,065,096 A	12/1977	Frantz et al.	
4,385,913 A	5/1983	Lane	
4,544,385 A	10/1985	Tanaka	
4,572,725 A	2/1986	Kojima	
4,655,801 A	4/1987	Kojima et al.	
4,673,419 A	6/1987	Kojima	
4,707,166 A	11/1987	Khosropour	
4,713,094 A *	12/1987	Yanagawa et al.	96/147
4,764,189 A	8/1988	Yanagawa et al.	
5,110,327 A	5/1992	Smith	
5,252,034 A	10/1993	Sweet	
D341,224 S	11/1993	Drake et al.	
5,286,283 A	2/1994	Goodell	

5,403,387 A	4/1995	Flynn et al.	
5,427,609 A	6/1995	Zoglman et al.	
5,595,588 A	1/1997	Blevins	
5,607,500 A	3/1997	Shamine et al.	
5,622,544 A	4/1997	Shamine et al.	
5,792,245 A *	8/1998	Unger et al.	96/137
5,851,269 A *	12/1998	Strope	96/144
5,961,698 A	10/1999	Dossaji et al.	
6,076,272 A	6/2000	Conklin, III et al.	
6,094,836 A	8/2000	Mahoney et al.	
6,322,159 B1	11/2001	Eberling	
6,322,161 B1	11/2001	Maslonka et al.	
6,391,098 B1	5/2002	Thomas	
6,450,587 B1	9/2002	MacGregor et al.	
6,585,806 B2	7/2003	Quinn et al.	
6,585,810 B1 *	7/2003	Gaita et al.	96/135
6,730,143 B1	5/2004	Nichols et al.	
6,824,594 B2 *	11/2004	Larsson	96/109
6,878,194 B2	4/2005	Hoffman et al.	
7,100,305 B2	9/2006	Hoffman et al.	
2002/0189456 A1	12/2002	Hoffman et al.	

* cited by examiner

Primary Examiner—Robin V Webster

(74) *Attorney, Agent, or Firm*—Calfee Halter & Griswold,
LLP

(57) **CLAIM**

The ornamental design for an air dryer system, as shown and
described.

DESCRIPTION

FIG. 1 is a perspective view of an air dryer system of the
present invention;

FIG. 2 is a side view of the air dryer system shown in FIG. 1;

FIG. 3 is a front view of the air dryer system shown in FIG. 1;

FIG. 4 is a side view of the air dryer system shown in FIG. 1;

FIG. 5 is a back view of the air dryer system shown in FIG. 1;

FIG. 6 is a top view of the air dryer system shown in FIG. 1;

FIG. 7 is a bottom view of the air dryer system shown in FIG.
1;

FIG. 8 is a back perspective view of the air dryer system
shown in FIG. 1;

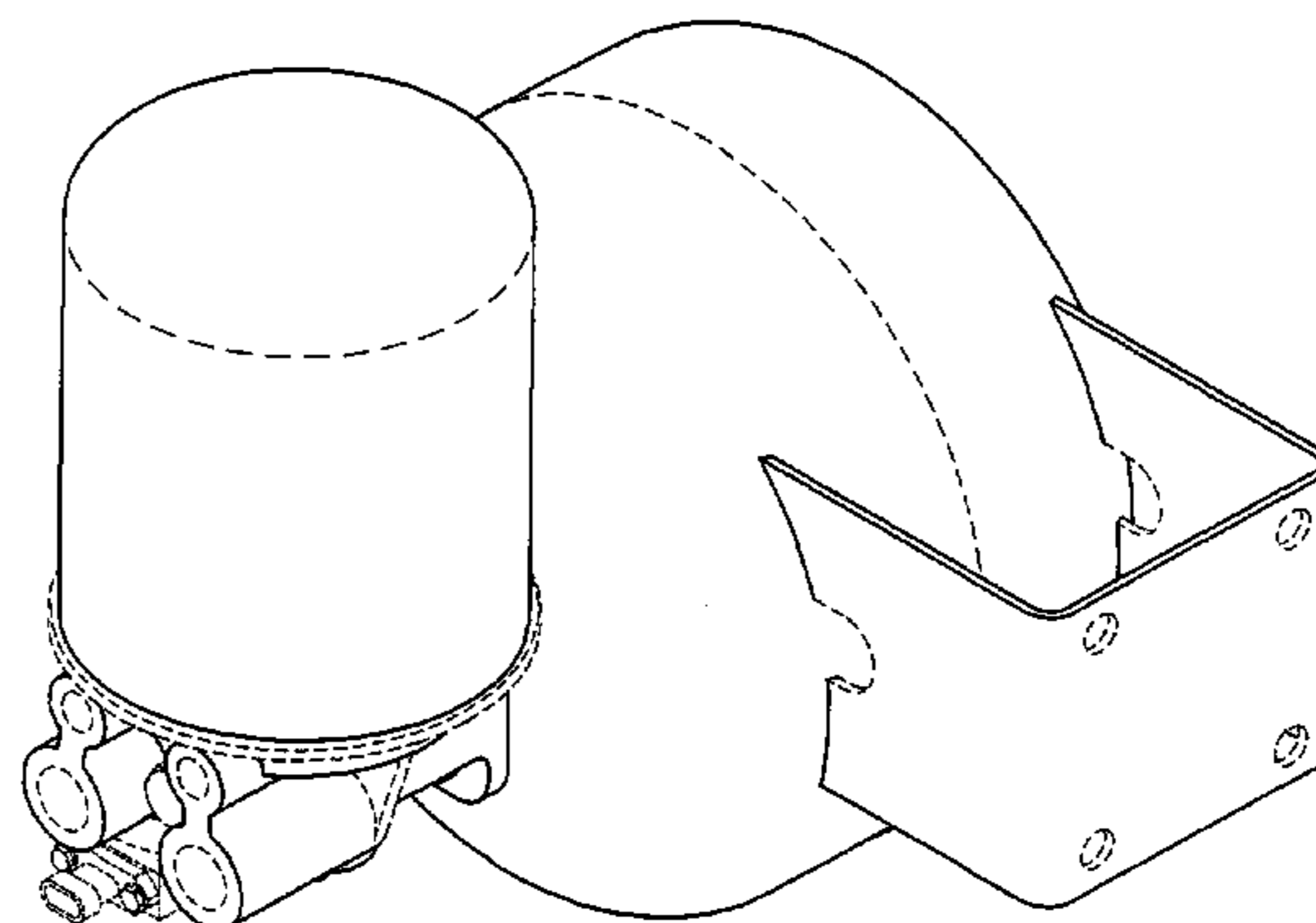
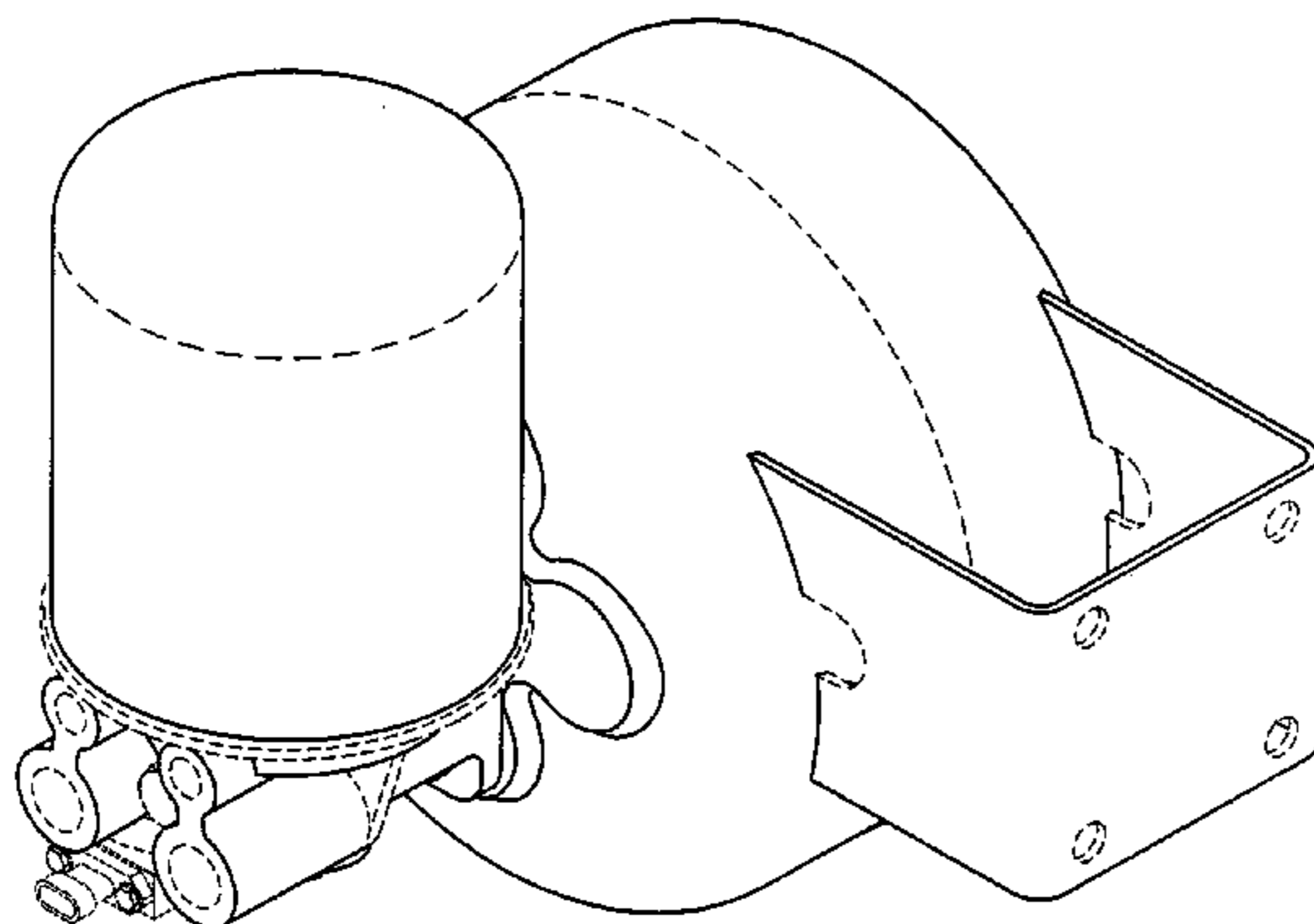


FIG. 9 is a perspective view of a second embodiment of an air dryer system of the present invention;

FIG. 10 is a side view of the air dryer system shown in FIG. 9;

FIG. 11 is a front view of the air dryer system shown in FIG. 9;

FIG. 12 is a side view of the air dryer system shown in FIG. 9;

FIG. 13 is a back view of the air dryer system shown in FIG. 9;

FIG. 14 is a top view of the air dryer system shown in FIG. 9;

FIG. 15 is a bottom view of the air dryer system shown in FIG. 9;

FIG. 16 is a back perspective view of the air dryer system shown in FIG. 9;

FIG. 17 is a perspective view of a third embodiment of an air dryer system of the present invention;

FIG. 18 is a side view of the air dryer system shown in FIG. 17;

FIG. 19 is a front view of the air dryer system shown in FIG. 17;

FIG. 20 is a side view of the air dryer system shown in FIG. 17;

FIG. 21 is a back view of the air dryer system shown in FIG. 17;

FIG. 22 is a top view of the air dryer system shown in FIG. 17;
FIG. 23 is a bottom view of the air dryer system shown in FIG. 17;

FIG. 24 is a back perspective view of the air dryer system shown in FIG. 17;

FIG. 25 is a perspective view of a fourth embodiment of an air dryer system of the present invention;

FIG. 26 is a side view of the air dryer system shown in FIG. 25;

FIG. 27 is a front view of the air dryer system shown in FIG. 25;

FIG. 28 is a side view of the air dryer system shown in FIG. 25;

FIG. 29 is a back view of the air dryer system shown in FIG. 25;

FIG. 30 is a top view of the air dryer system shown in FIG. 25;

FIG. 31 is a bottom view of the air dryer system shown in FIG. 25; and,

FIG. 32 is a back perspective view of the air dryer system shown in FIG. 25.

The portions of the Figures shown in phantom lines are not part of the claimed design but are for illustration only.

1 Claim, 20 Drawing Sheets

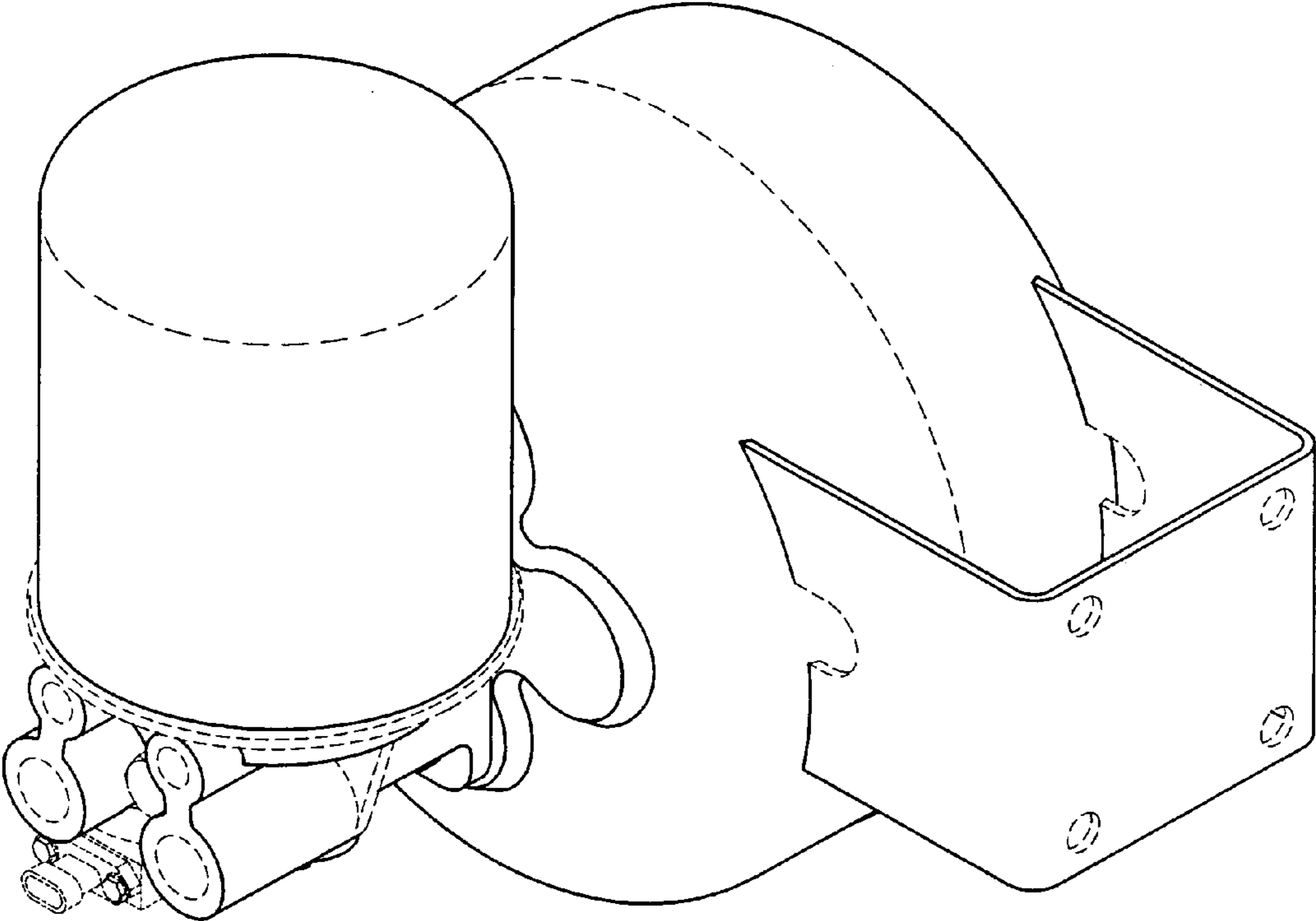


FIG. 1

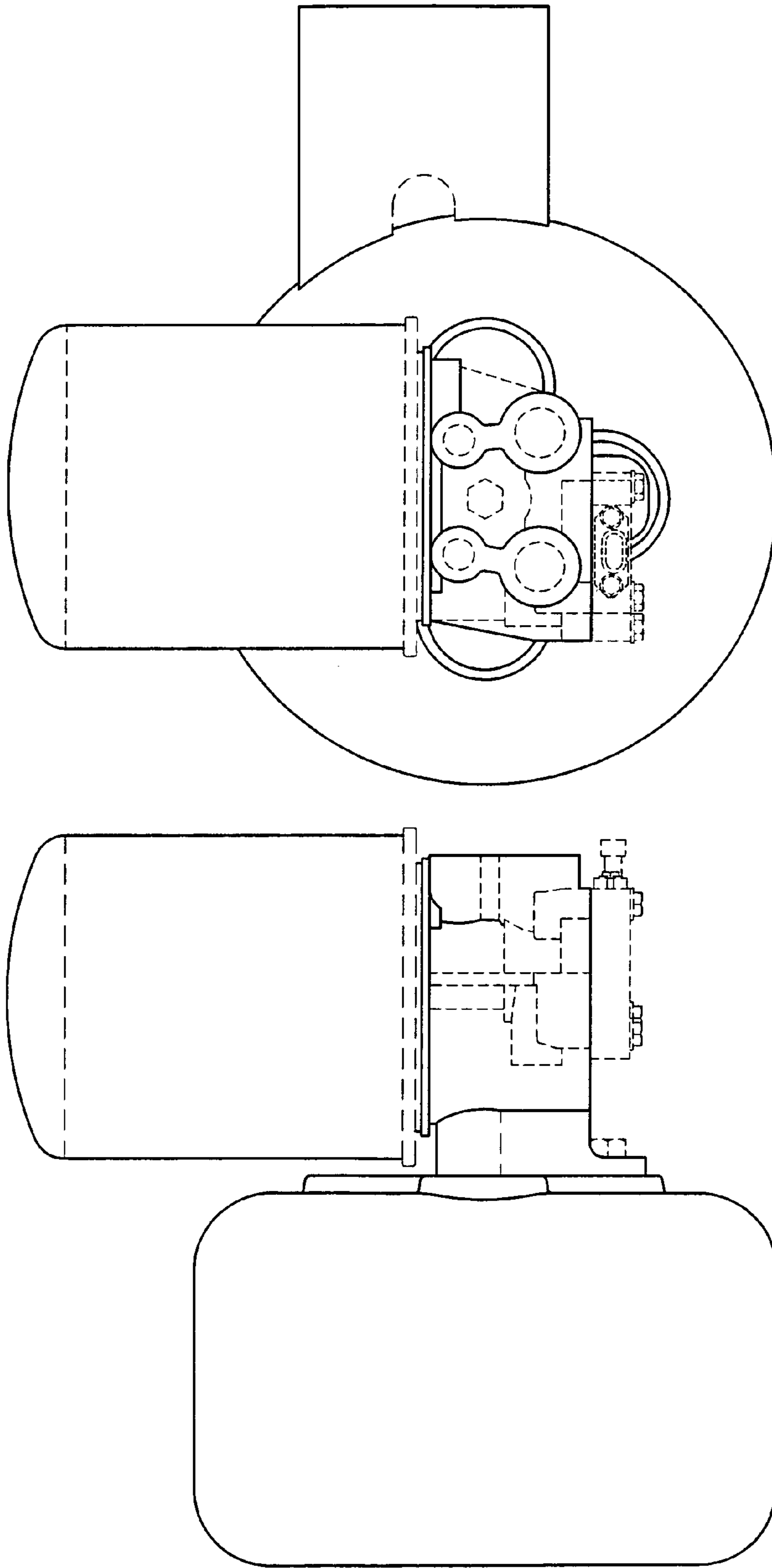


FIG. 3

FIG. 2

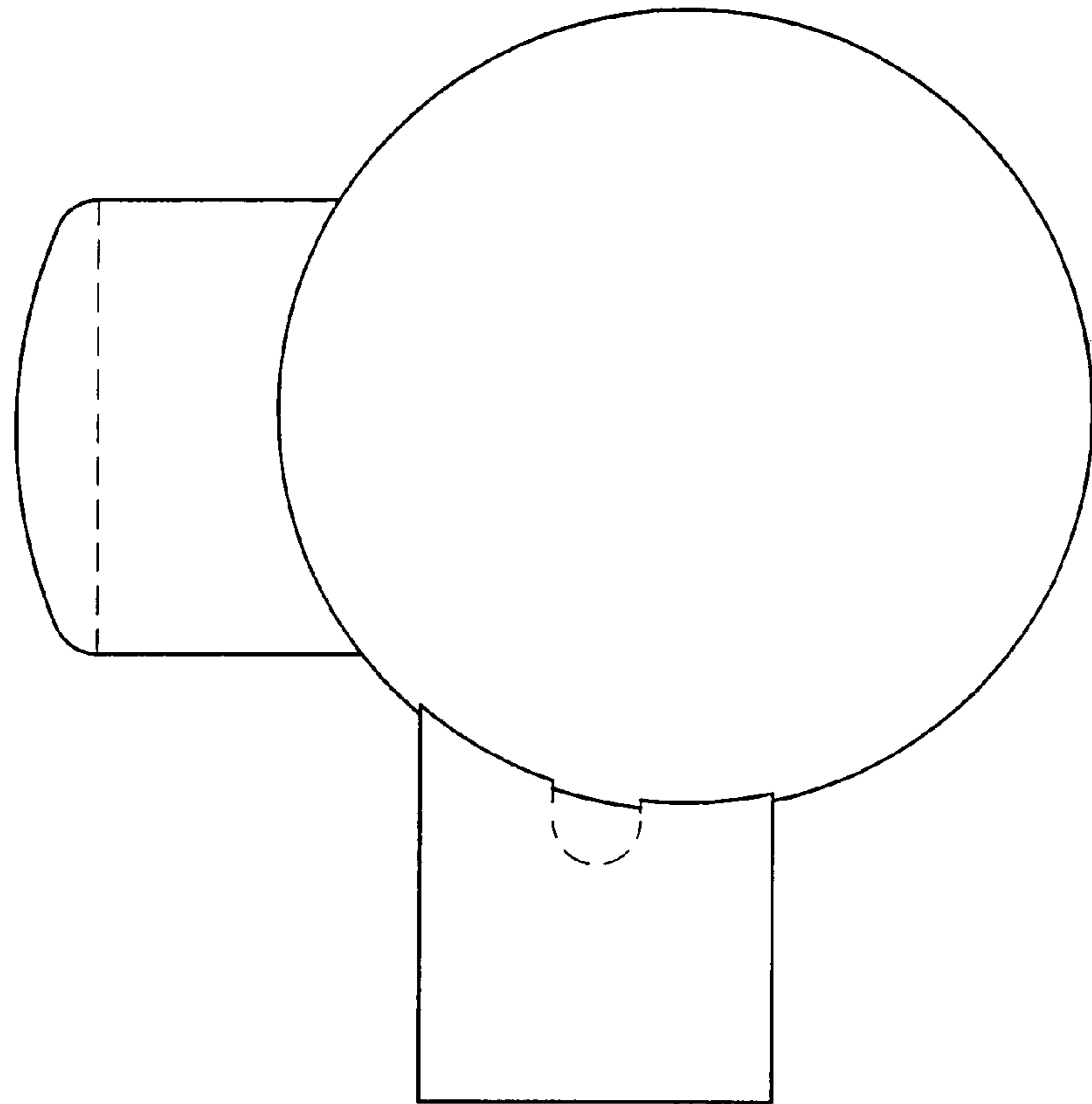


FIG. 5

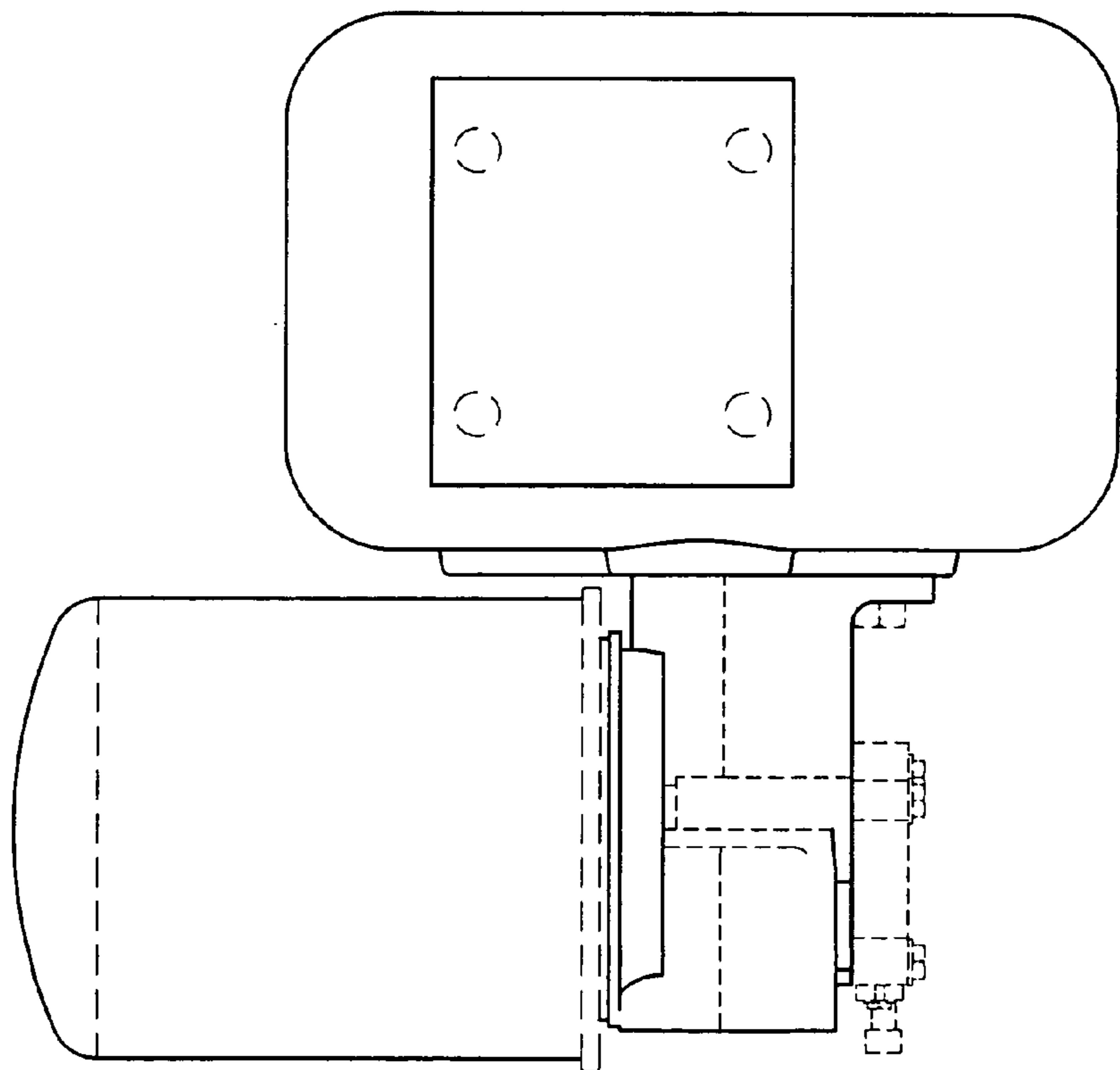


FIG. 4

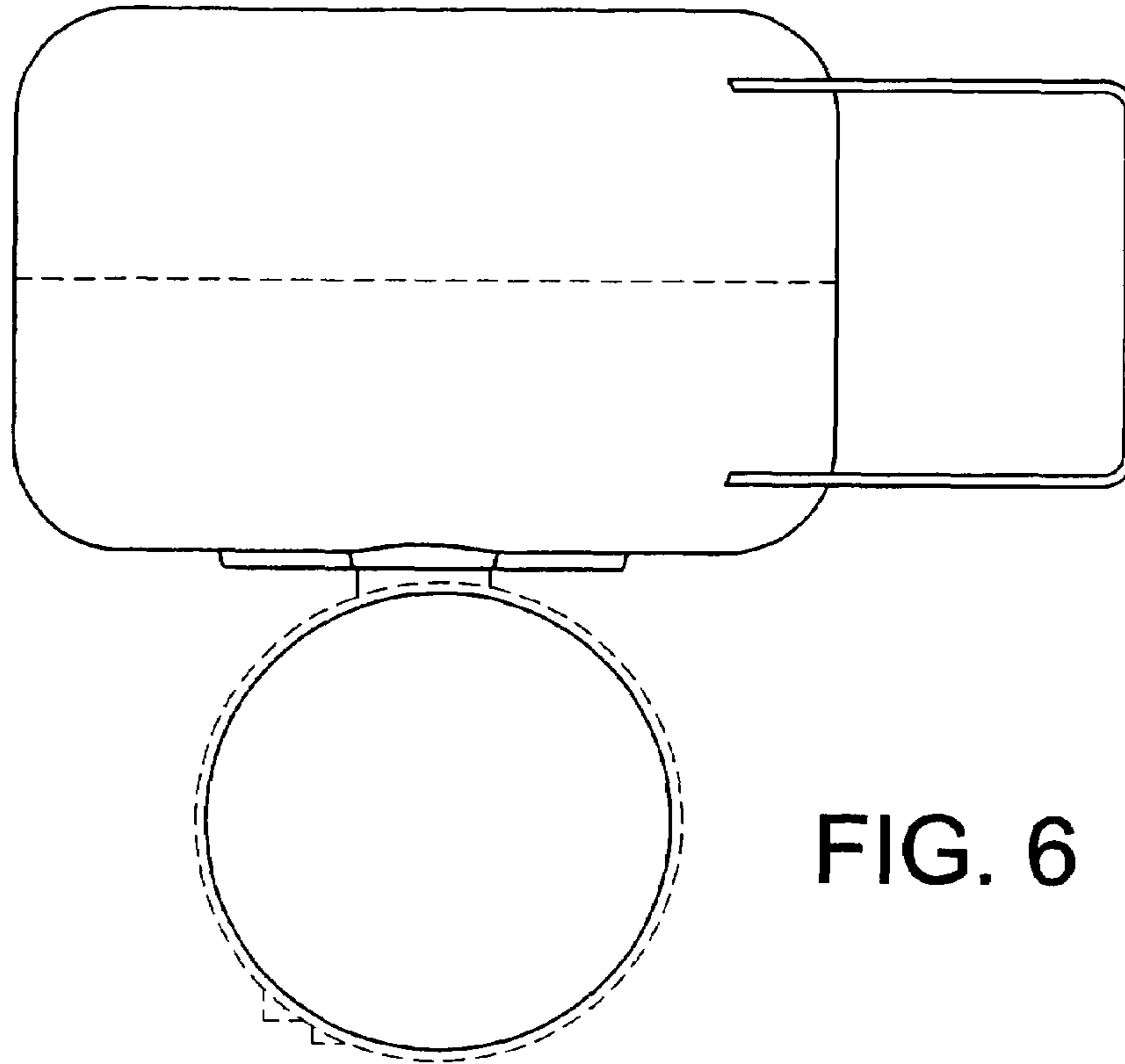


FIG. 6

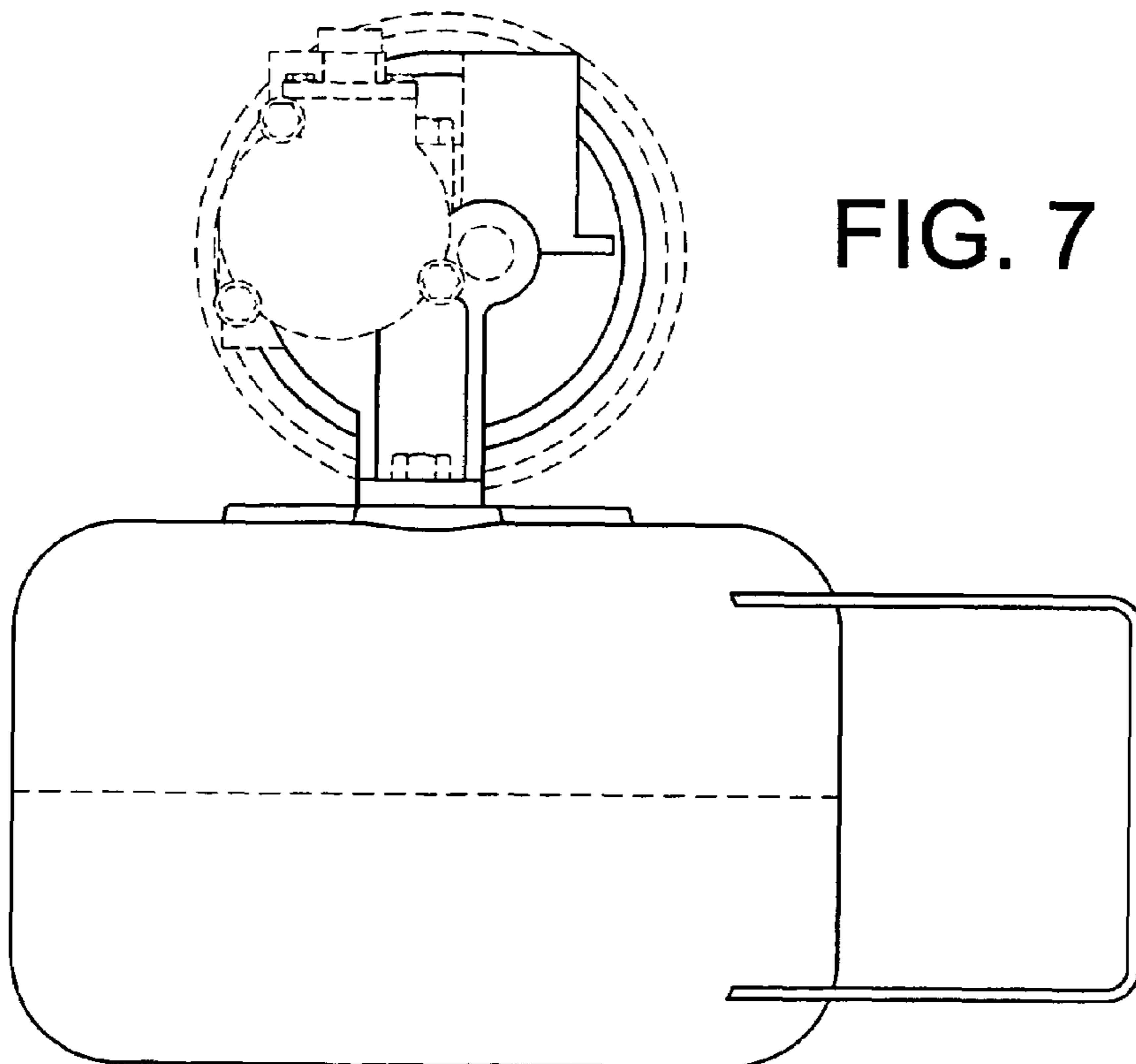


FIG. 7

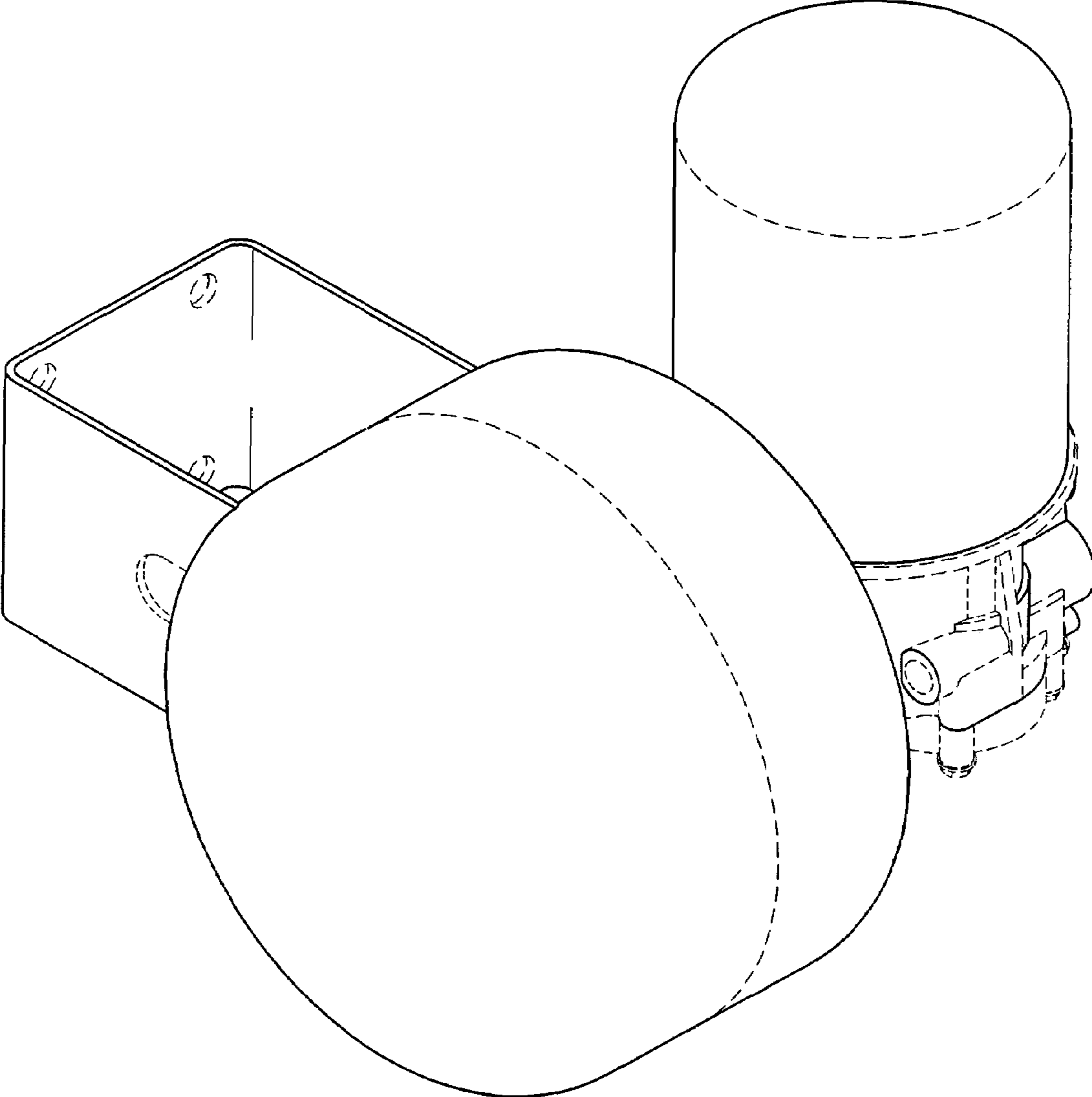


FIG. 8

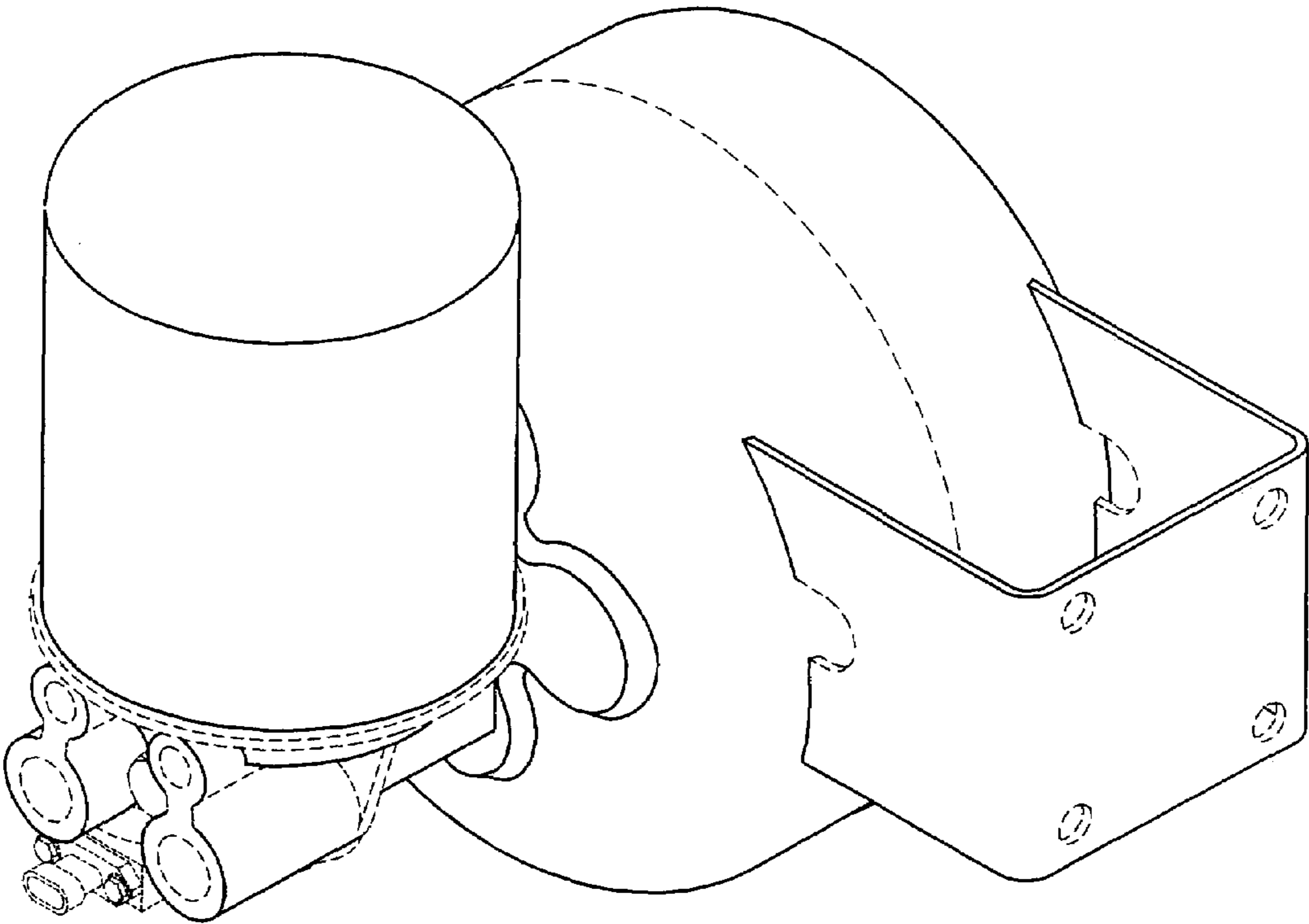


FIG. 9

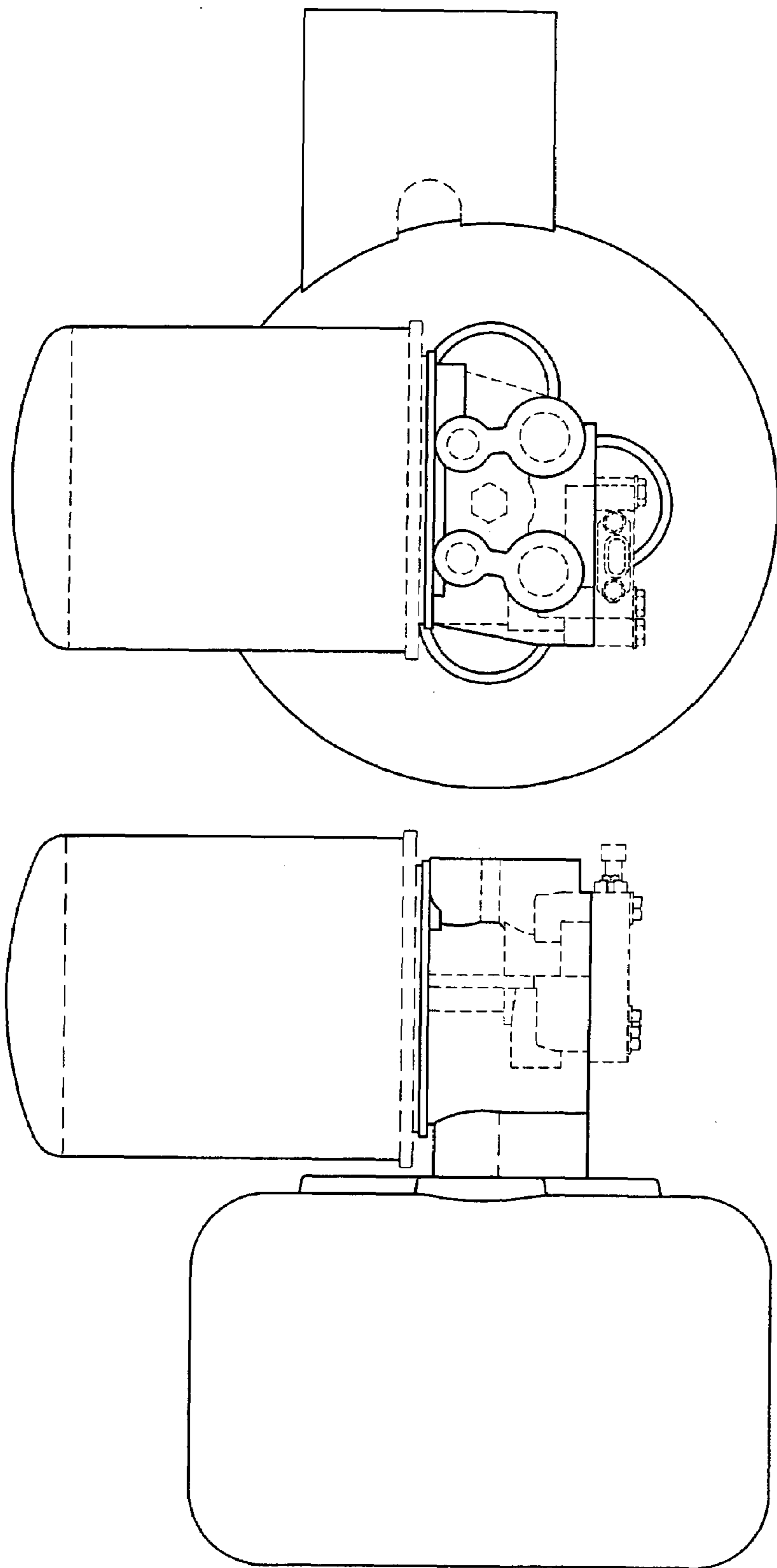


FIG. 11

FIG. 10

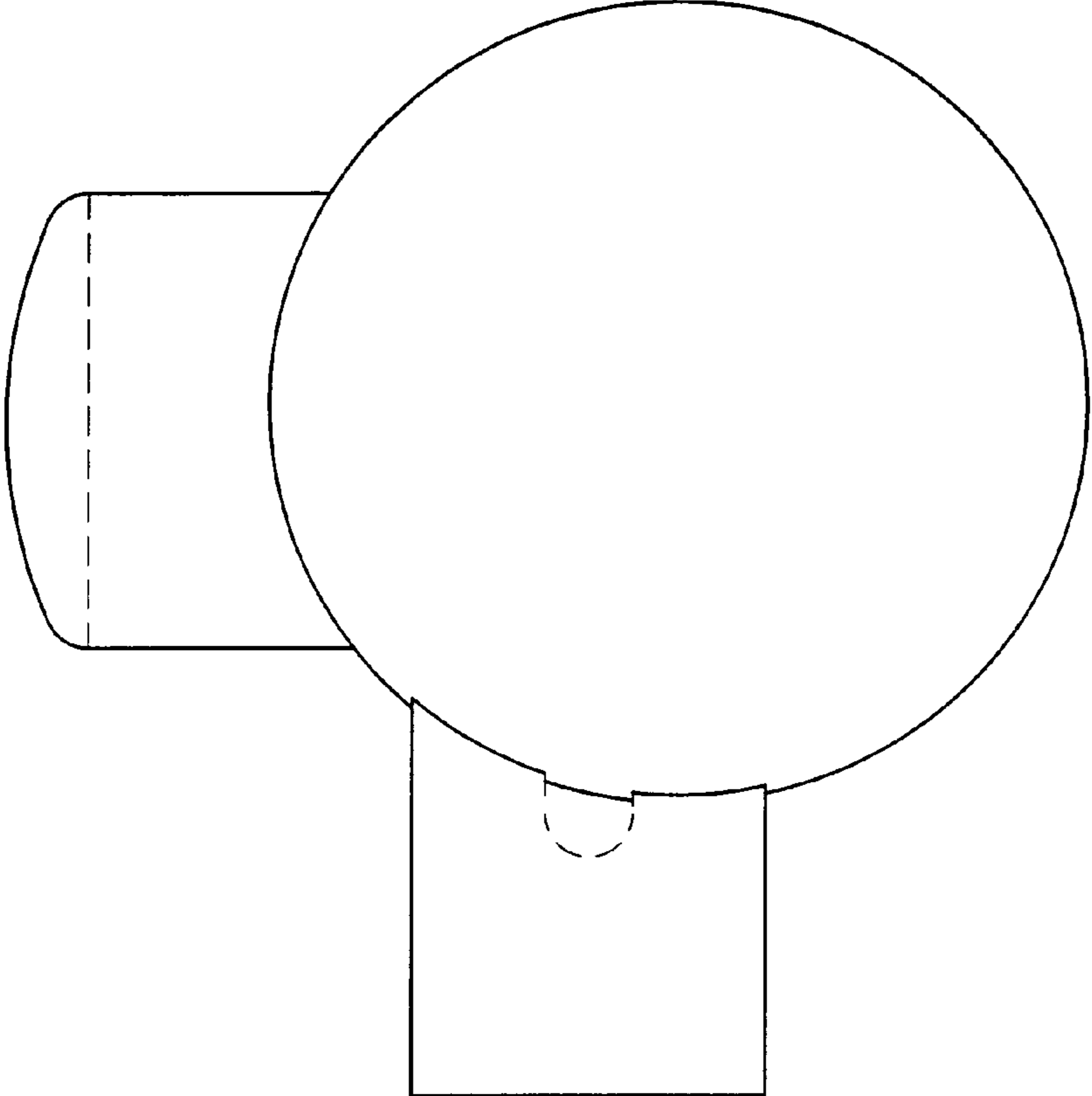


FIG. 12

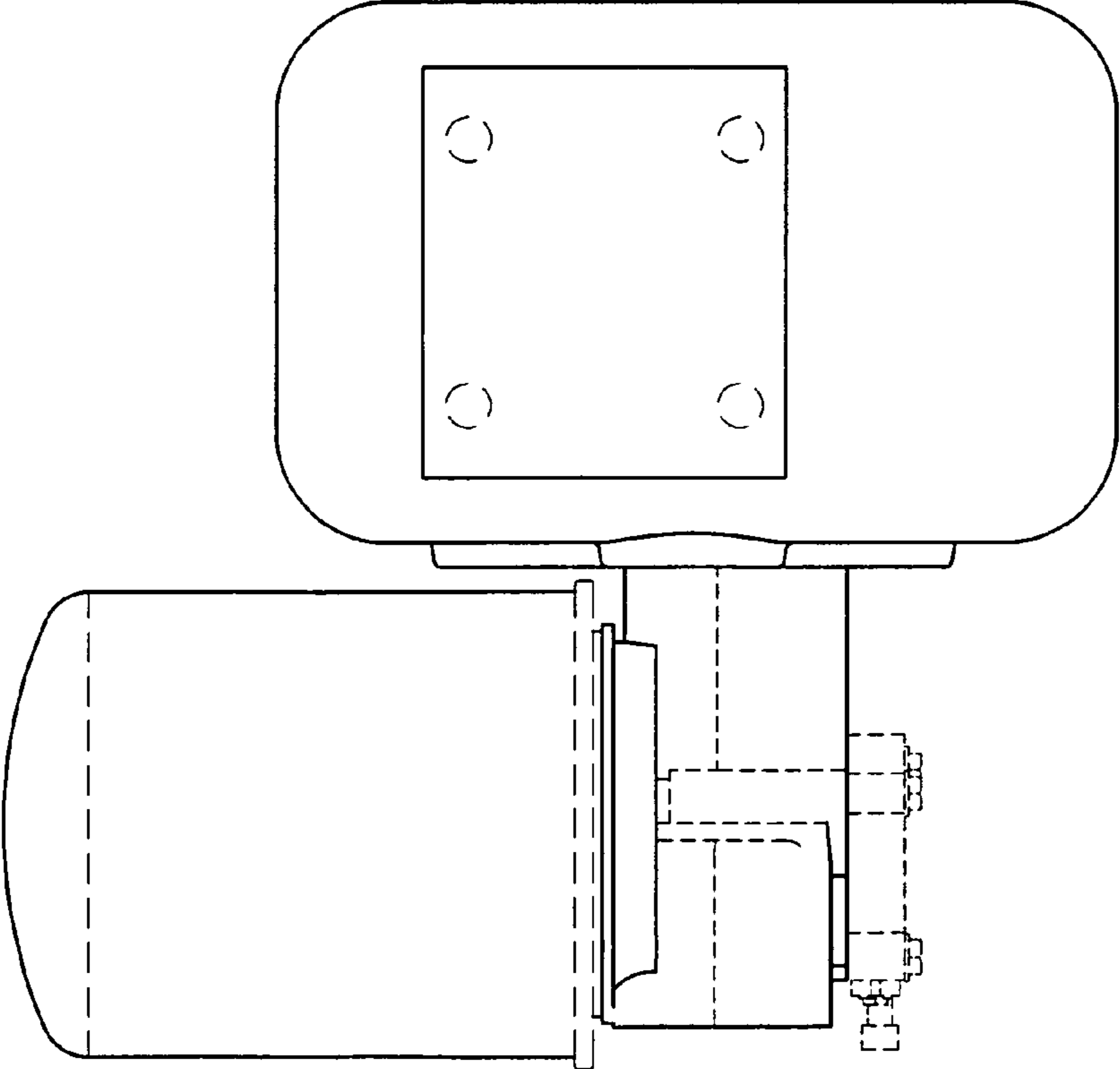


FIG. 13

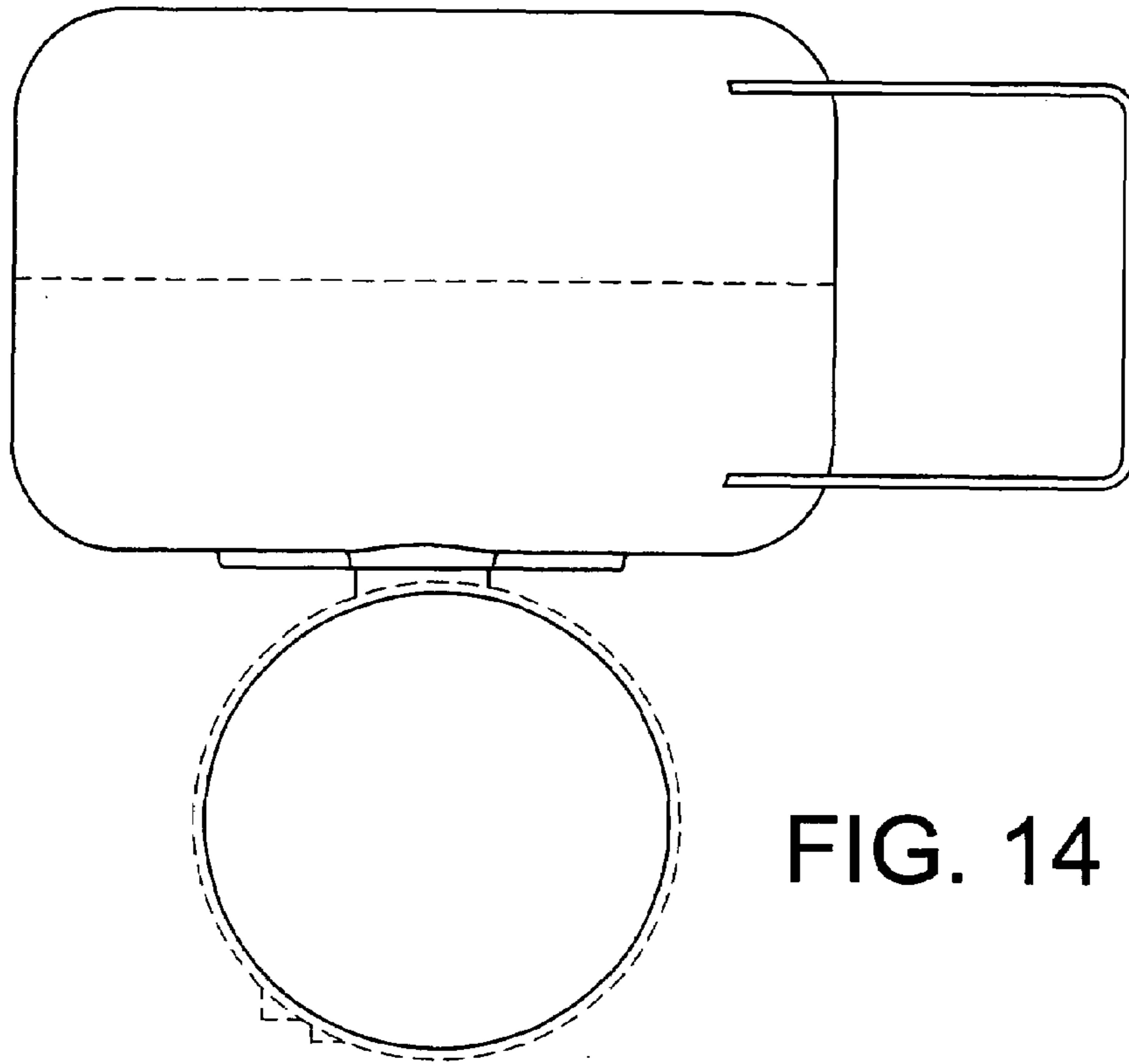


FIG. 14

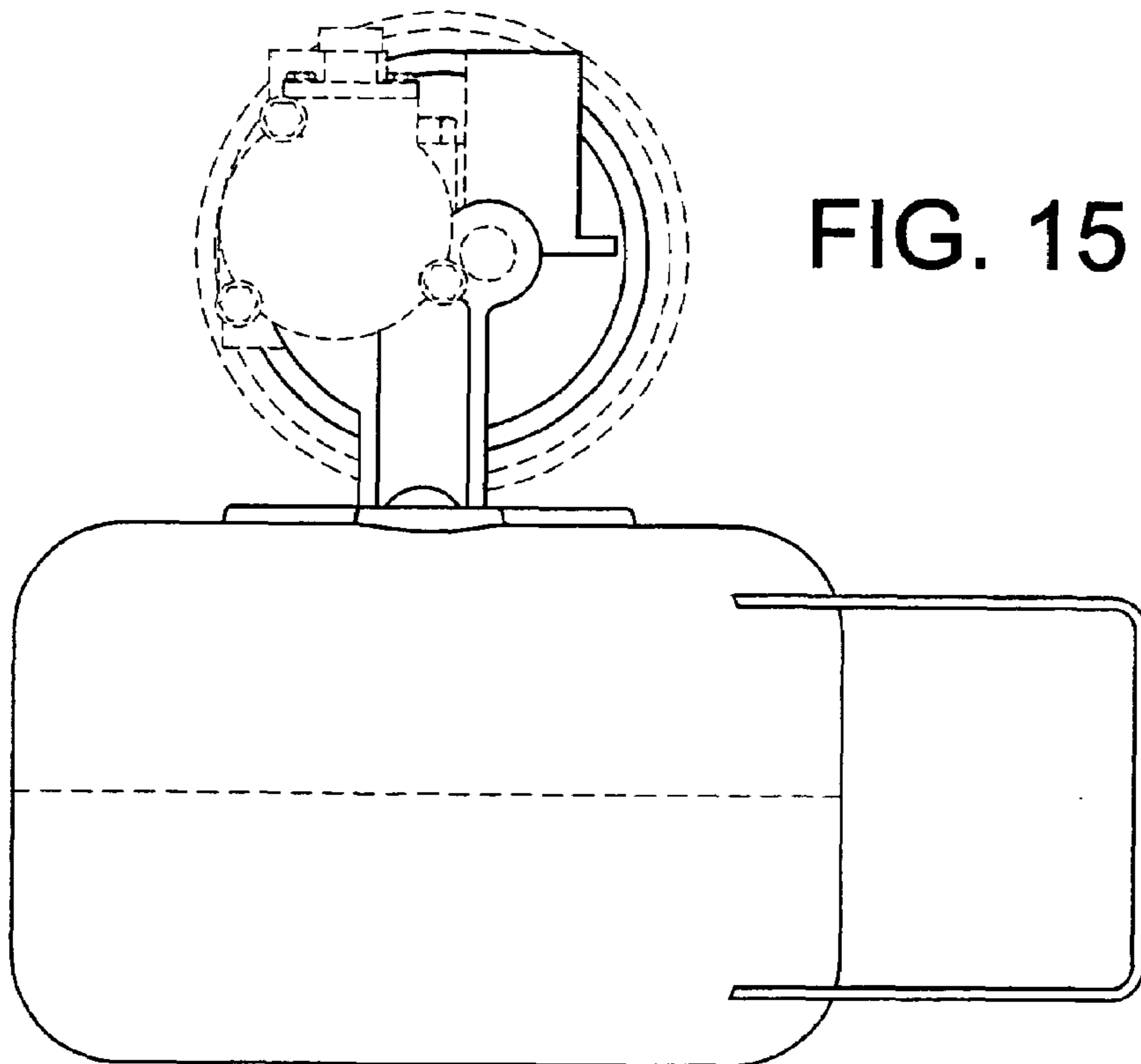


FIG. 15

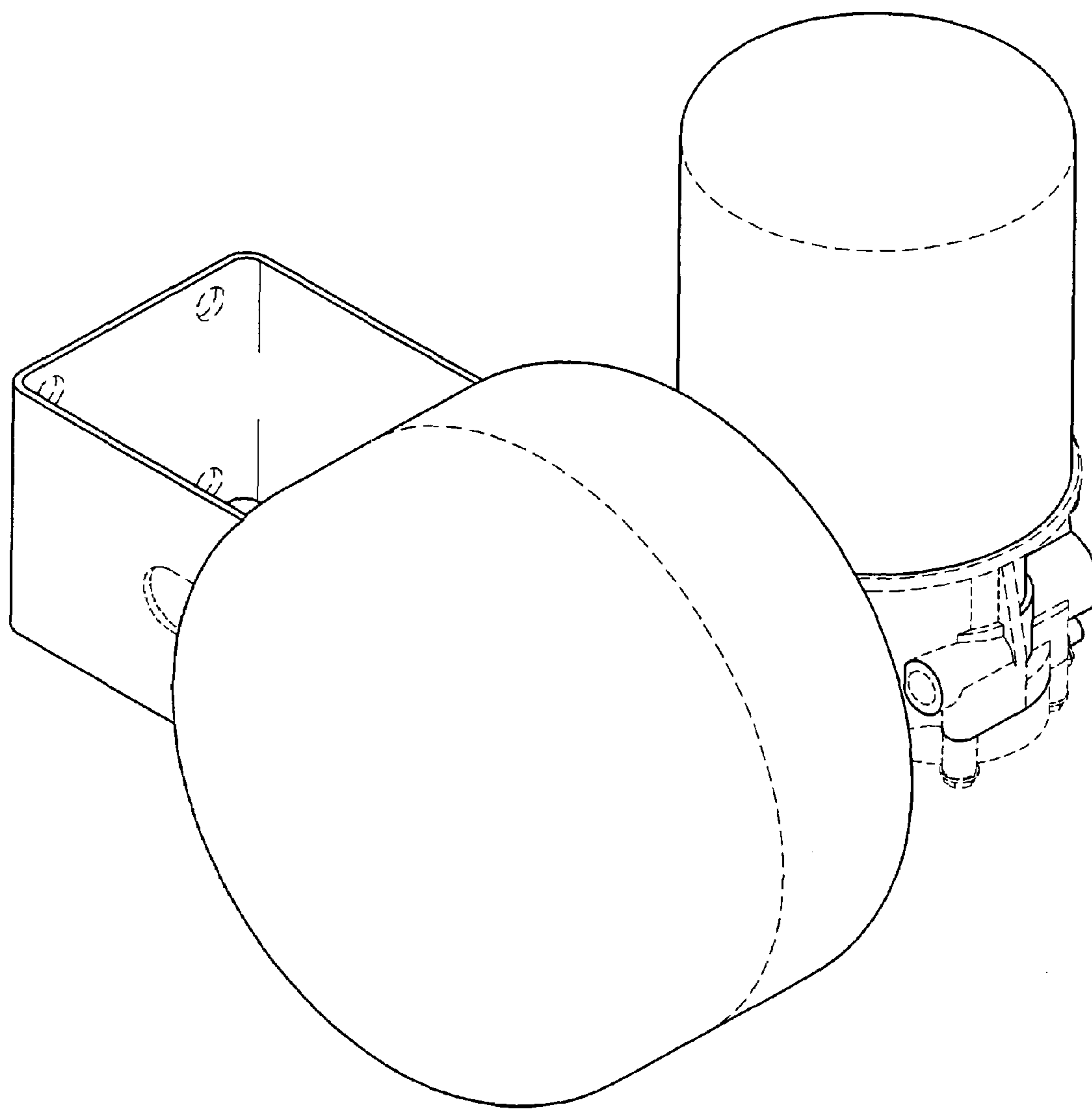


FIG. 16

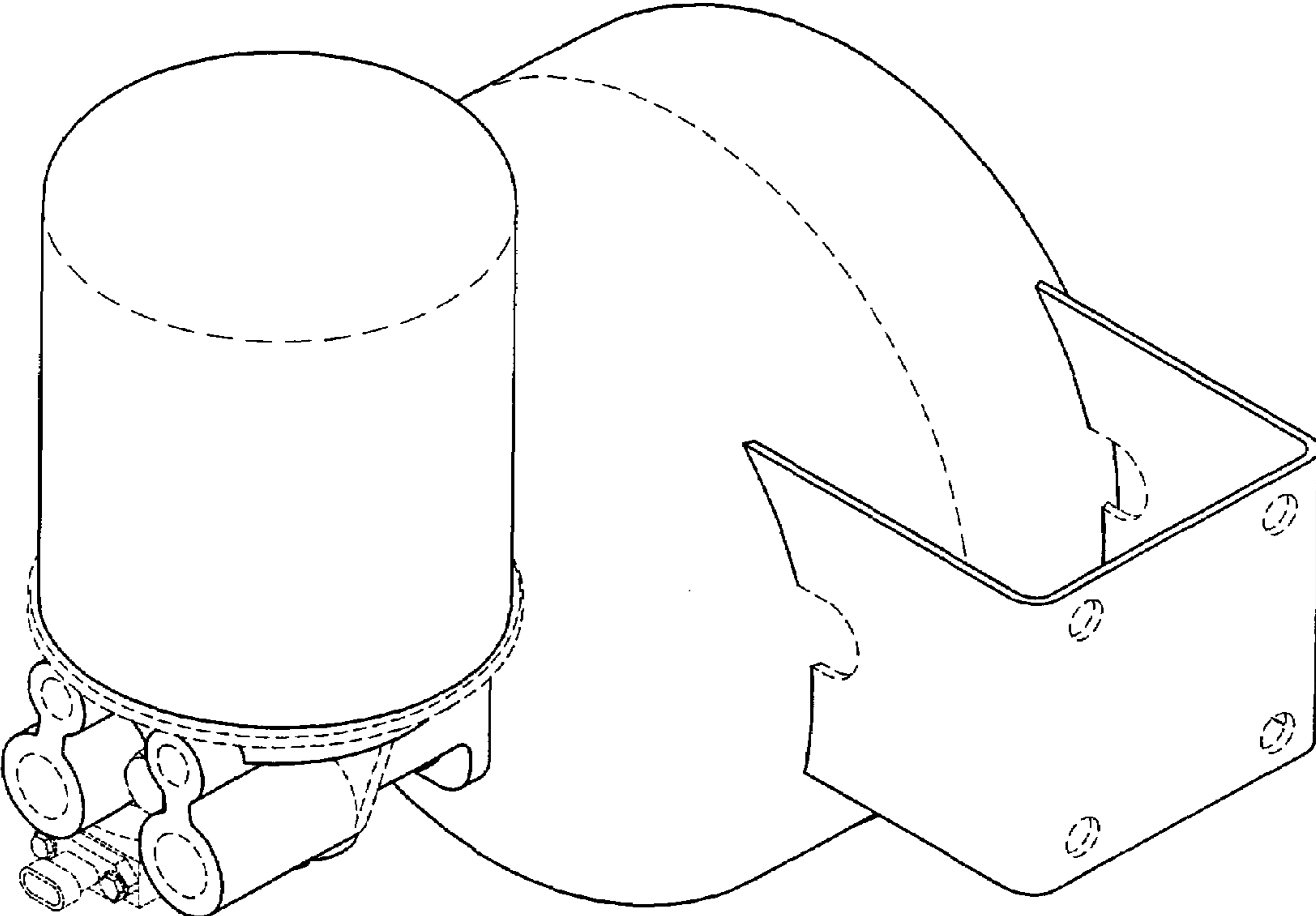


FIG. 17

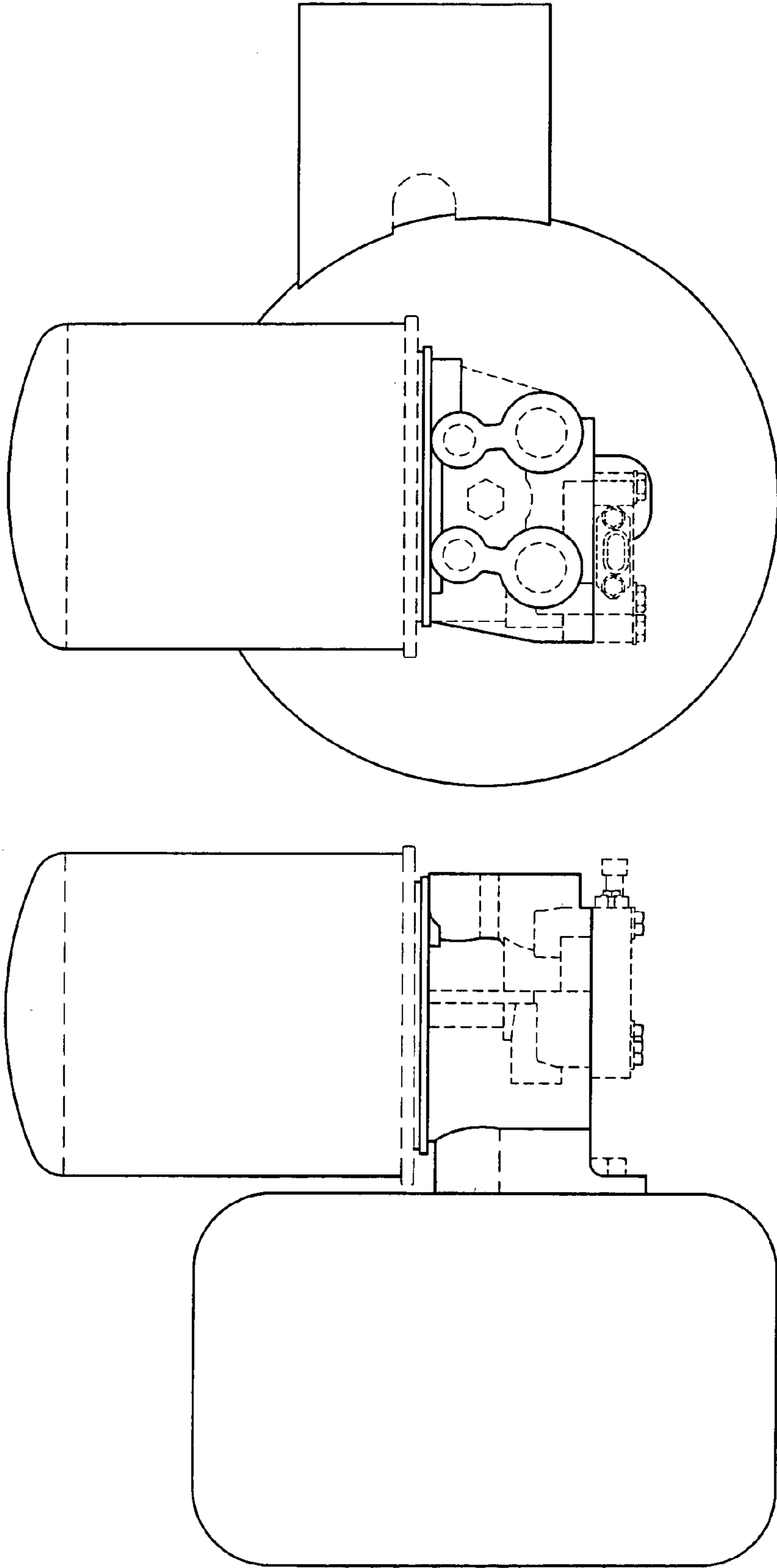


FIG. 18

FIG. 19

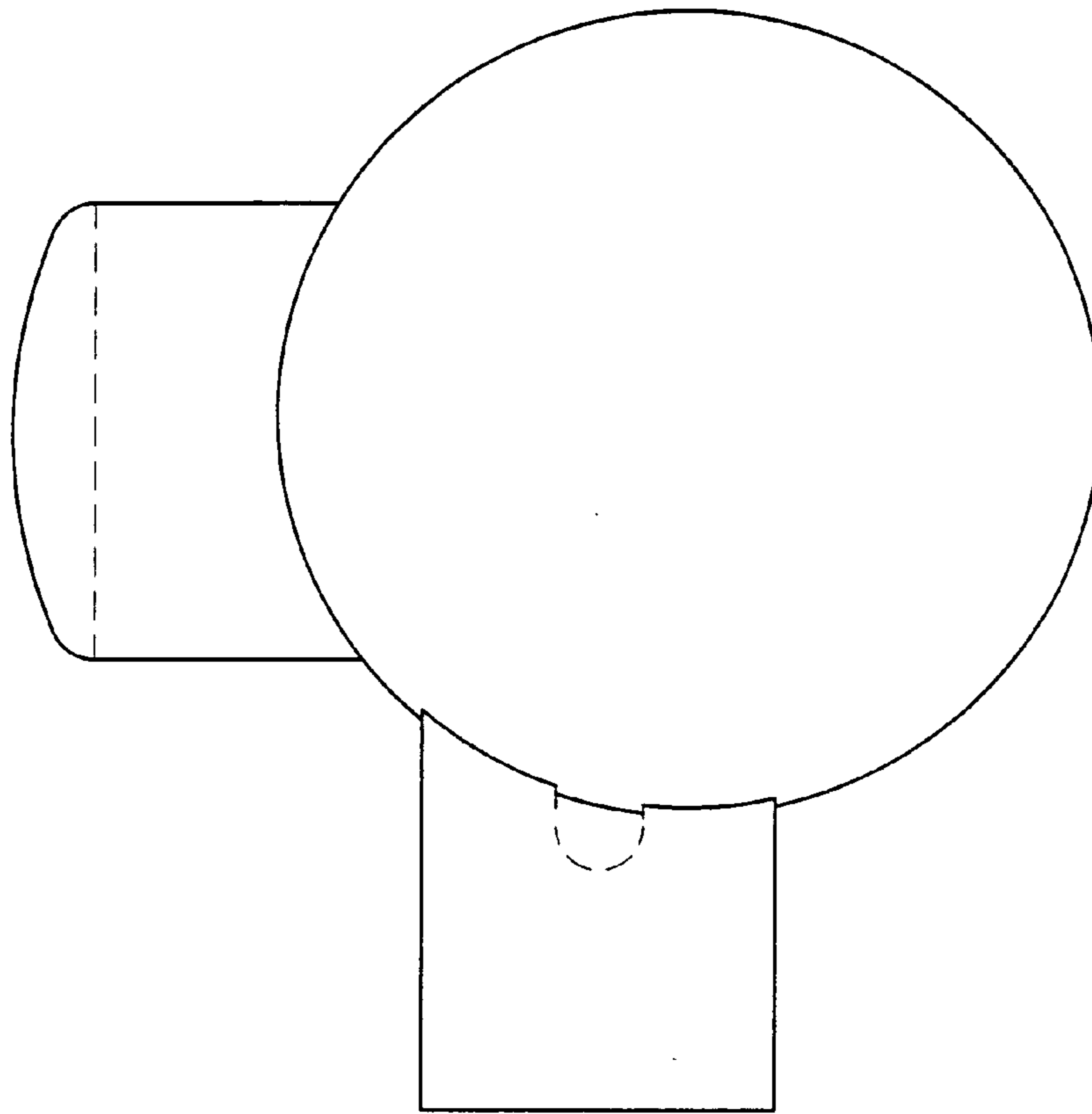


FIG. 21

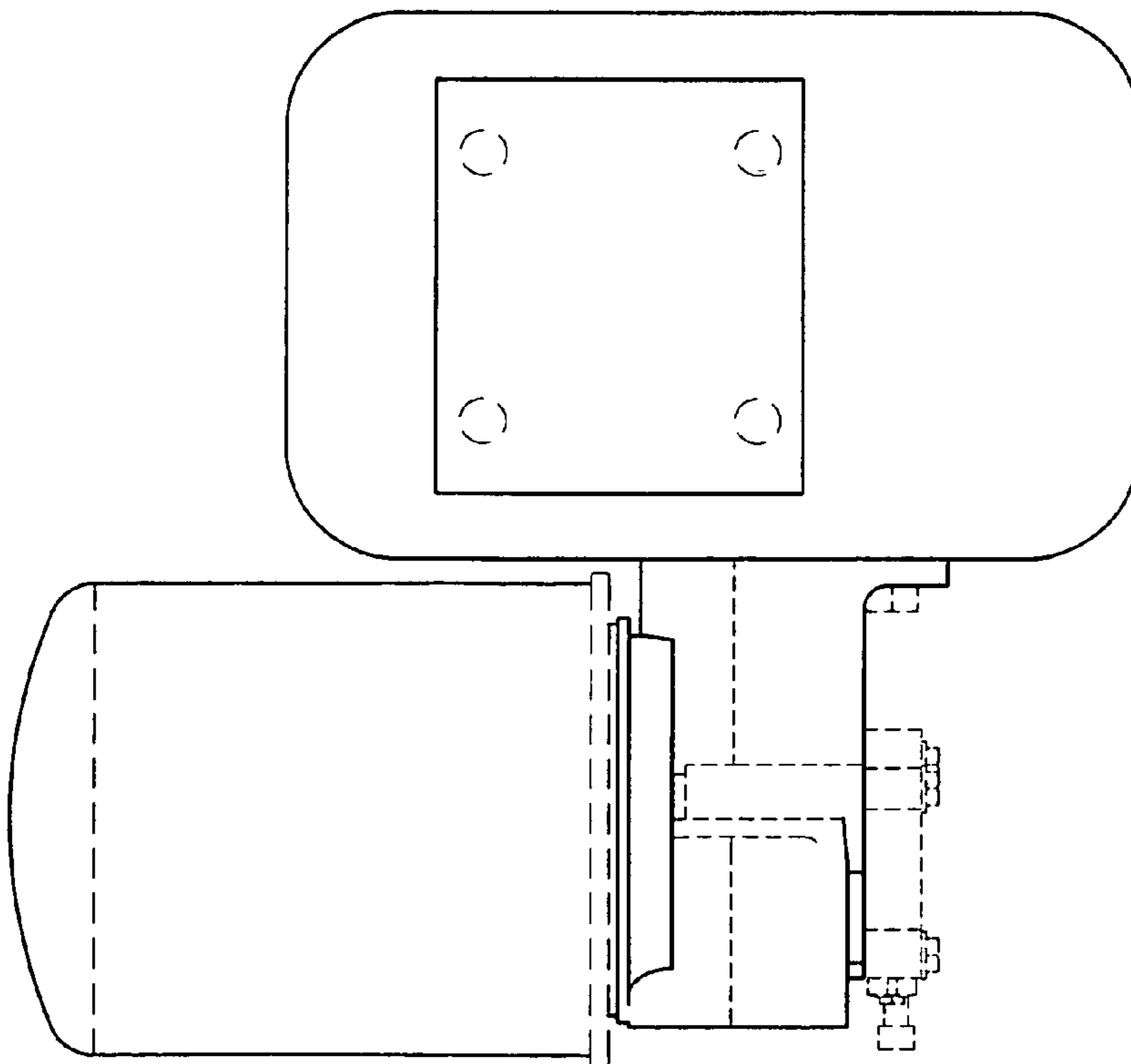


FIG. 20

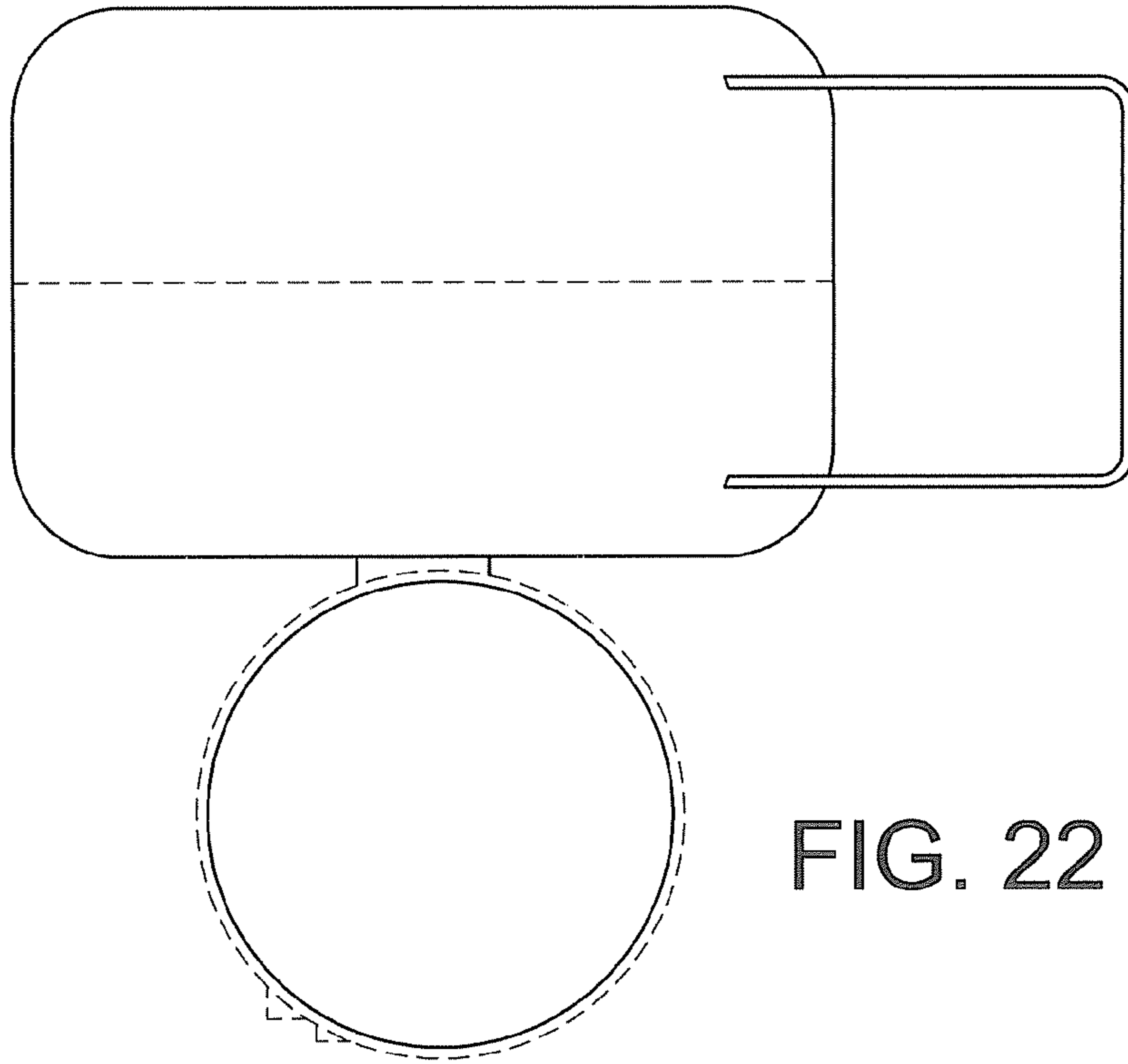


FIG. 22

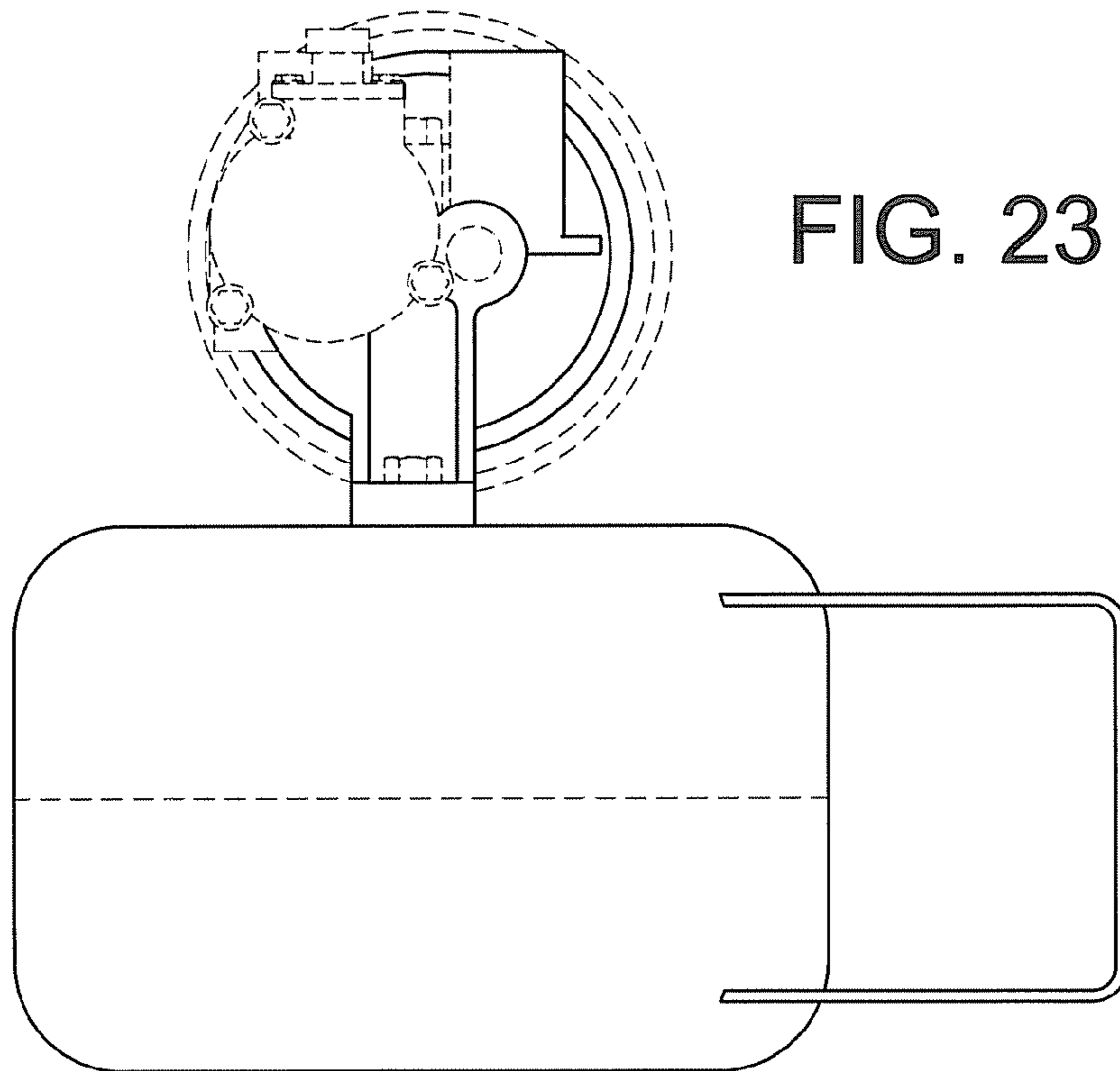


FIG. 23

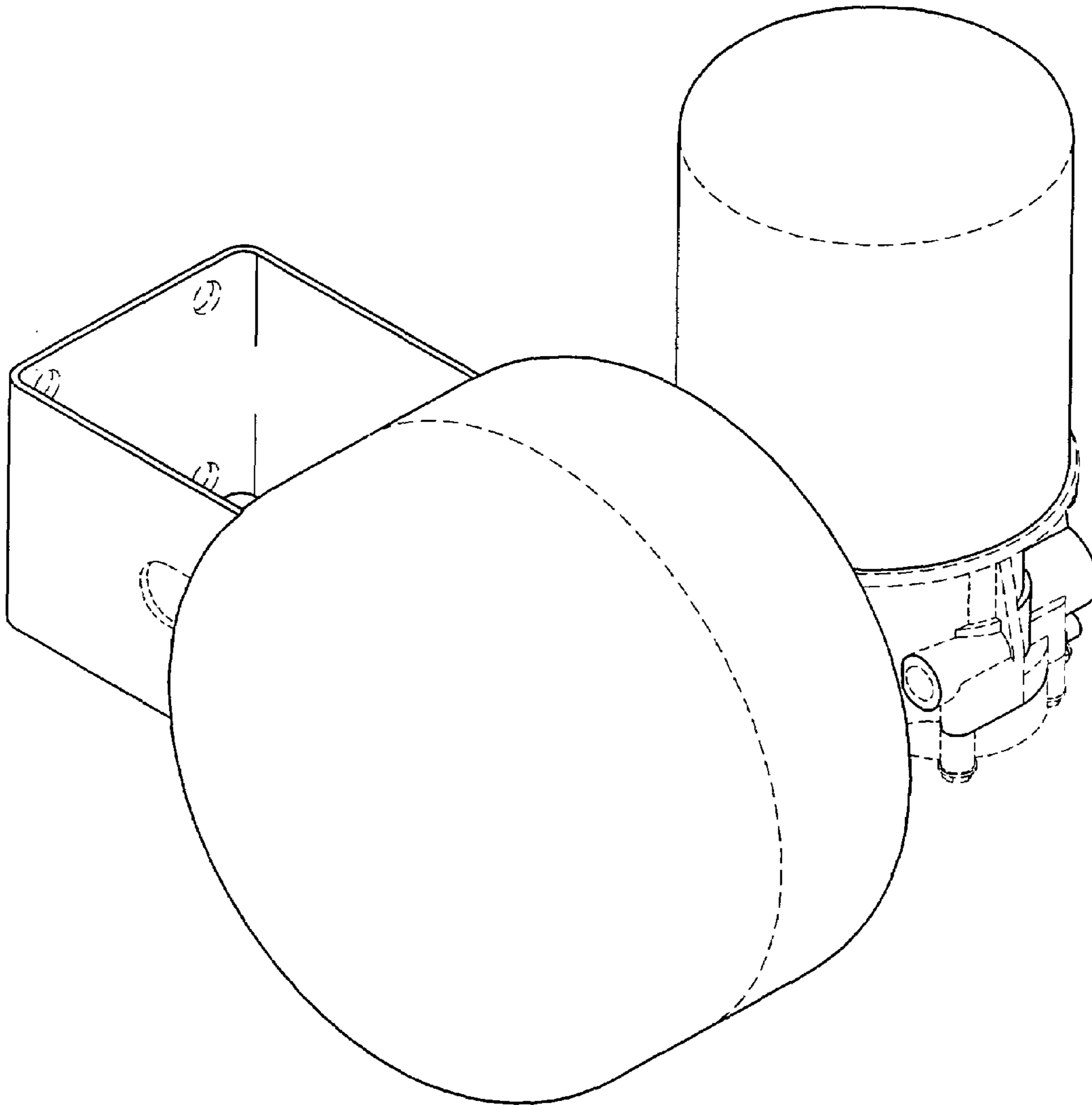


FIG. 24

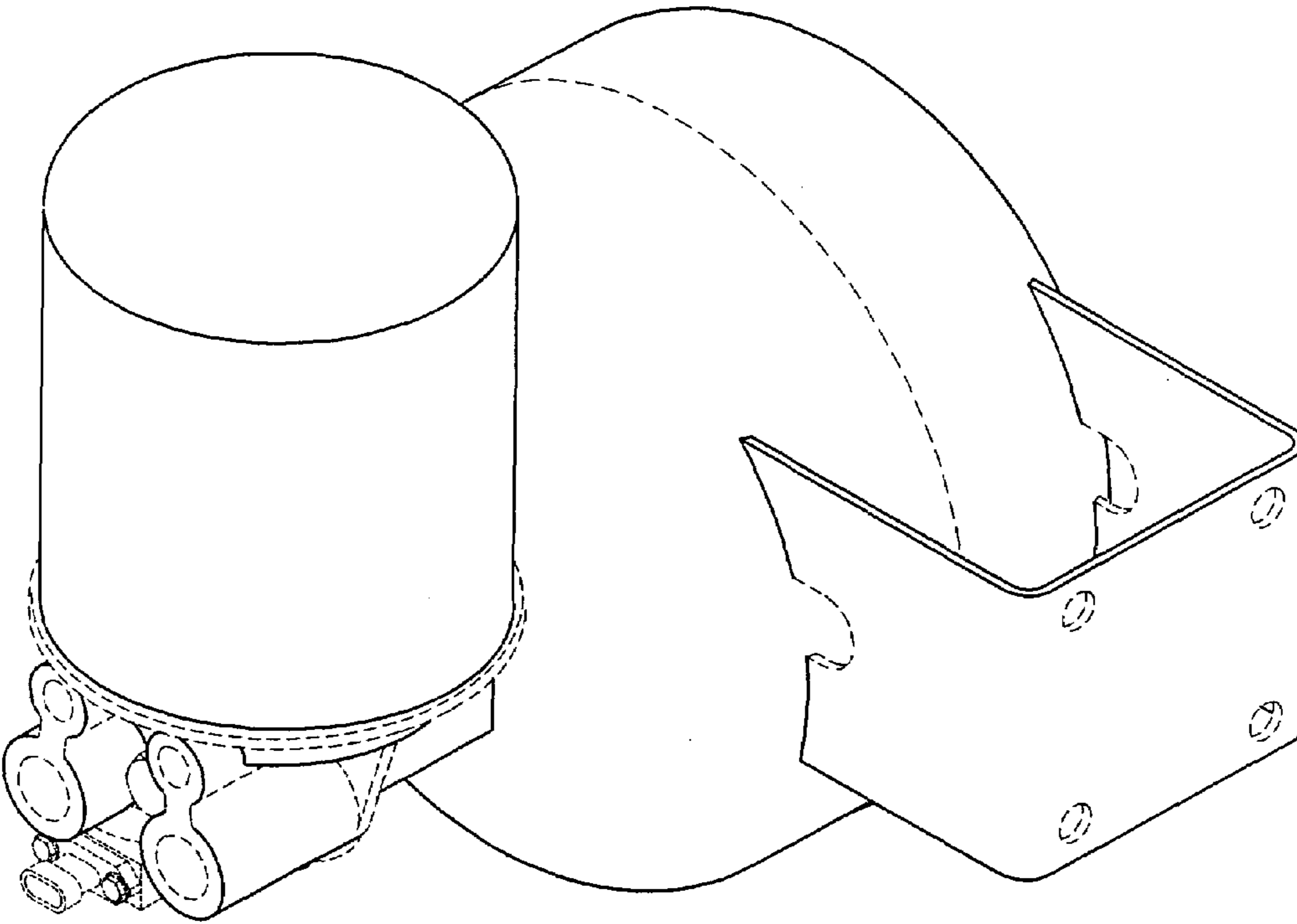


FIG. 25

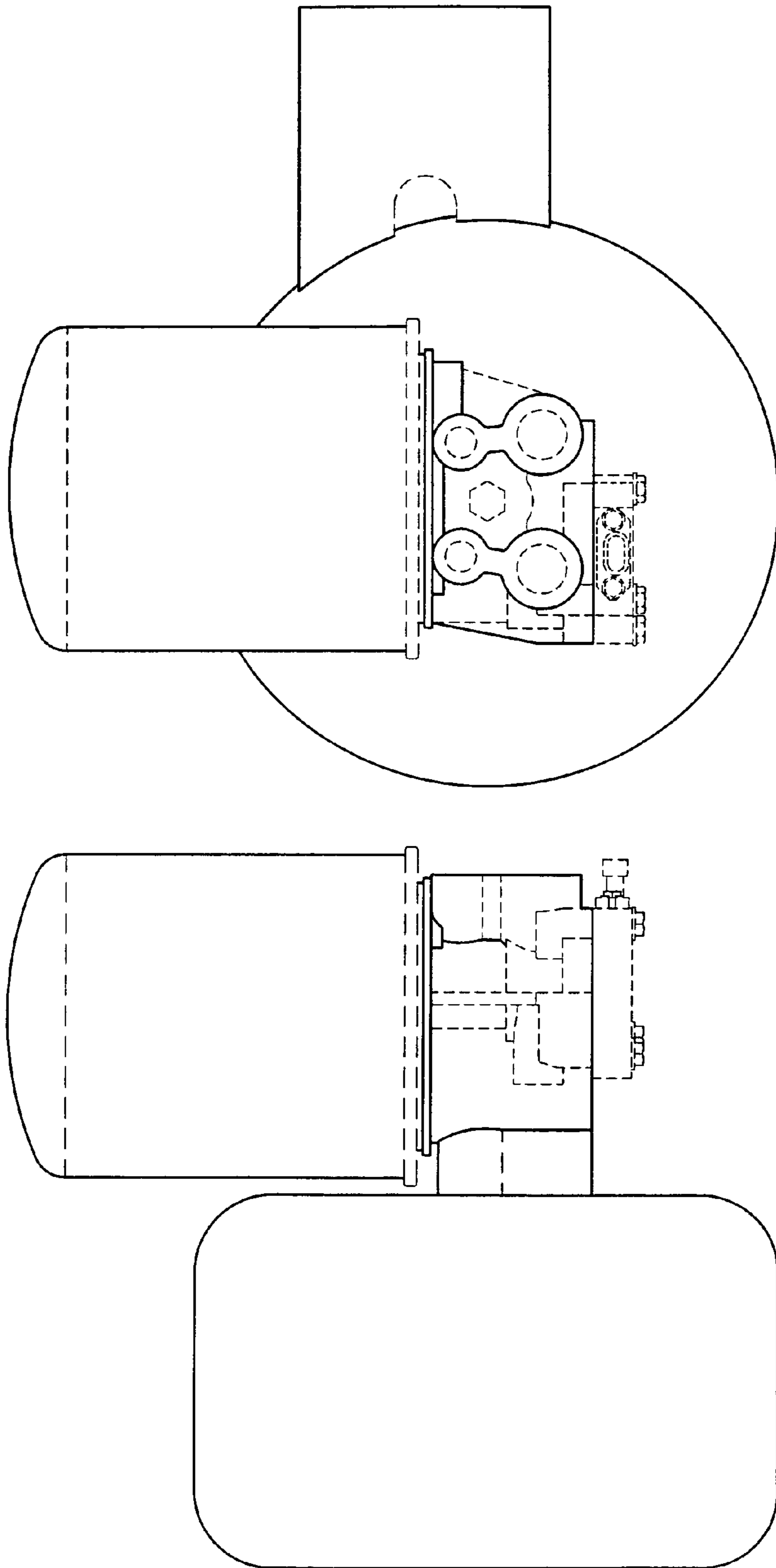


FIG. 27

FIG. 26

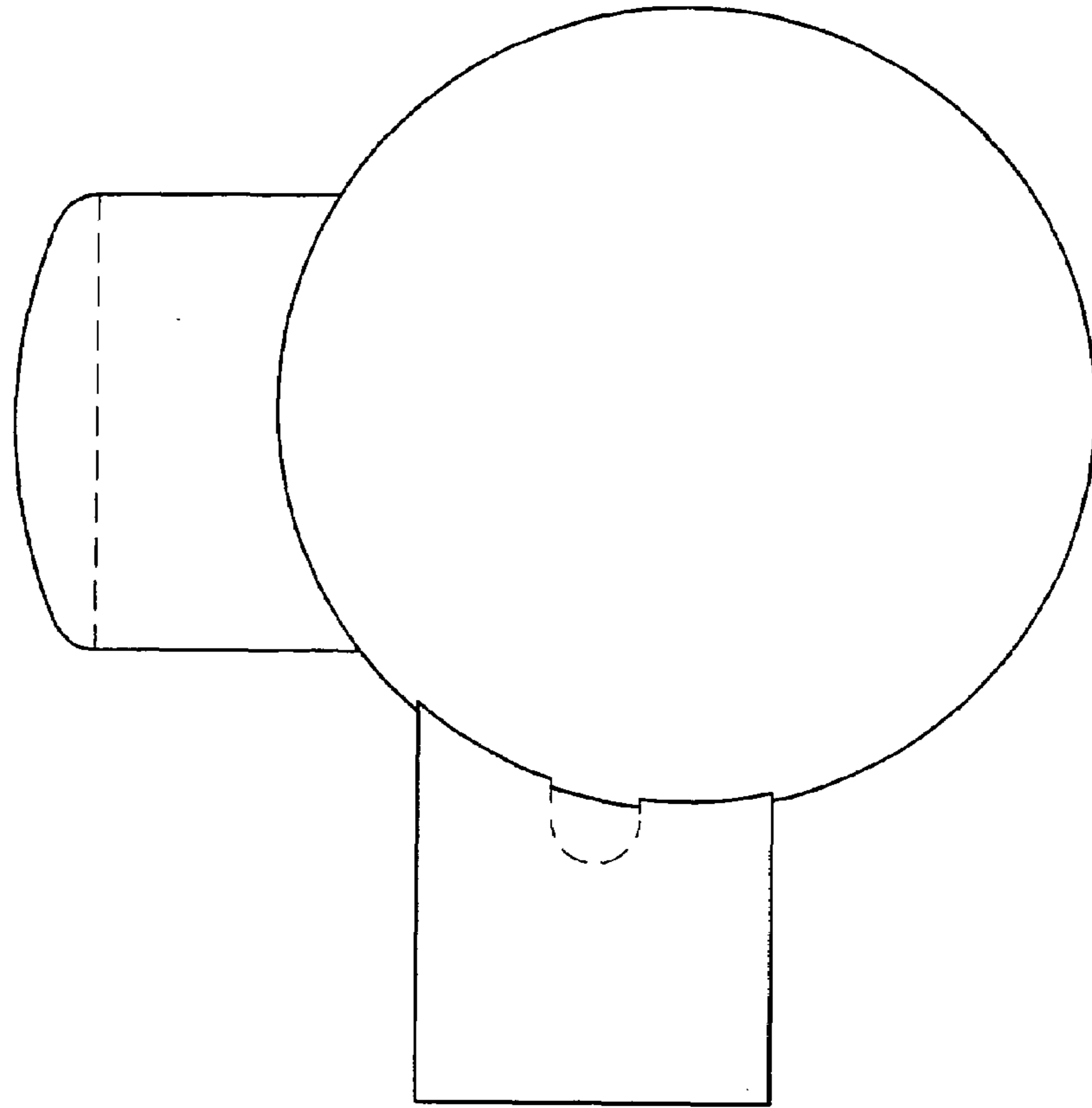


FIG. 28

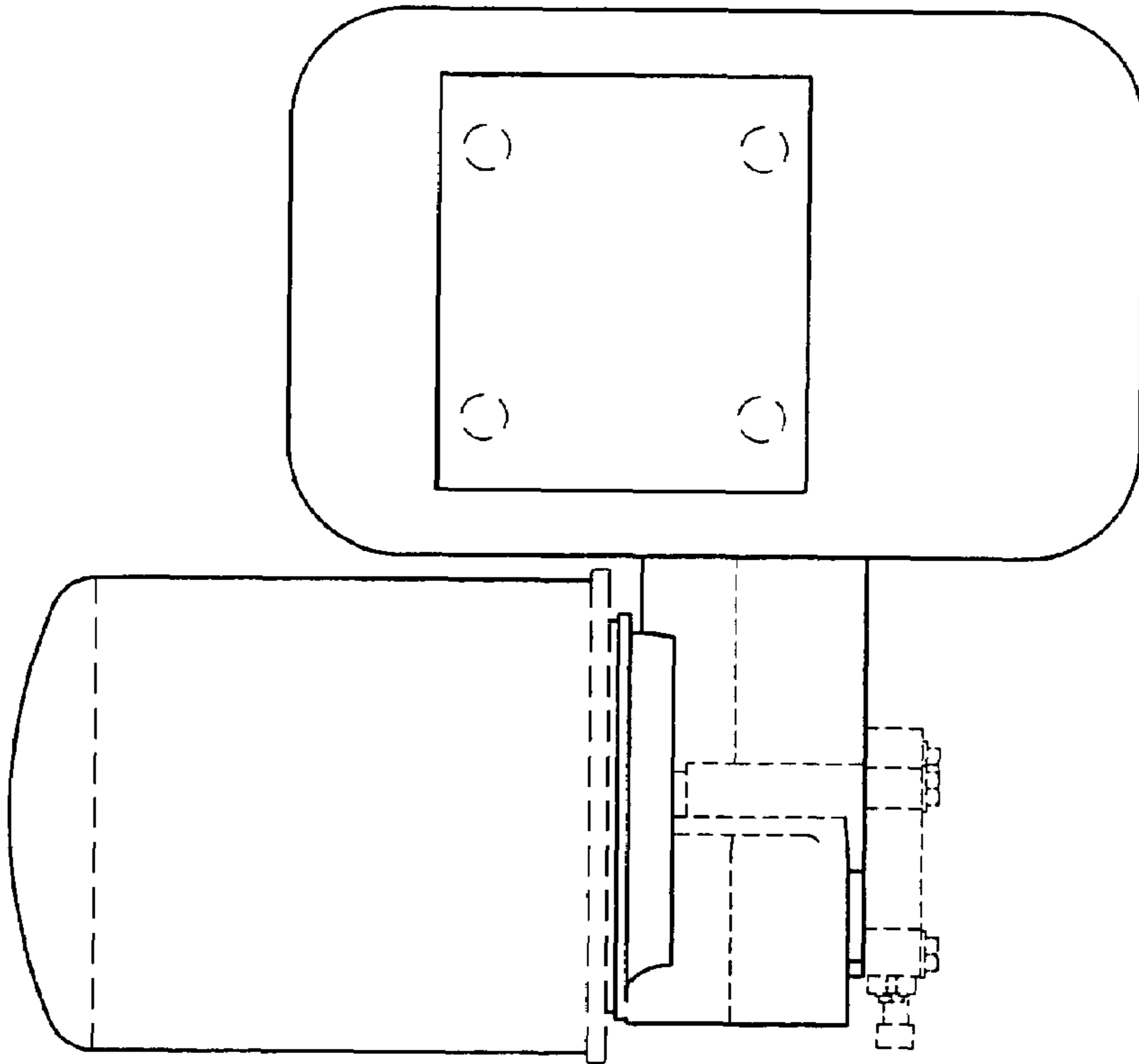


FIG. 29

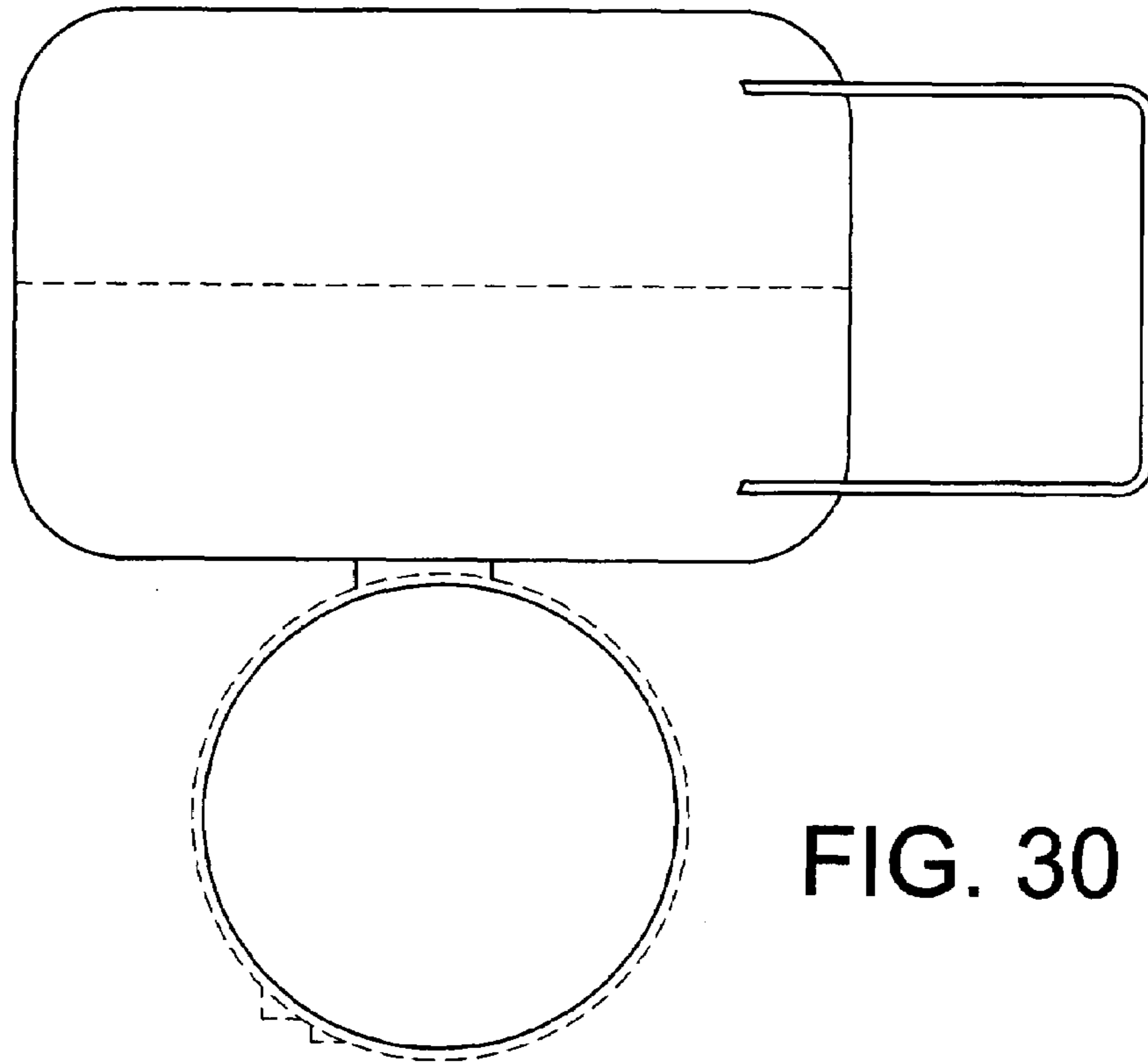


FIG. 30

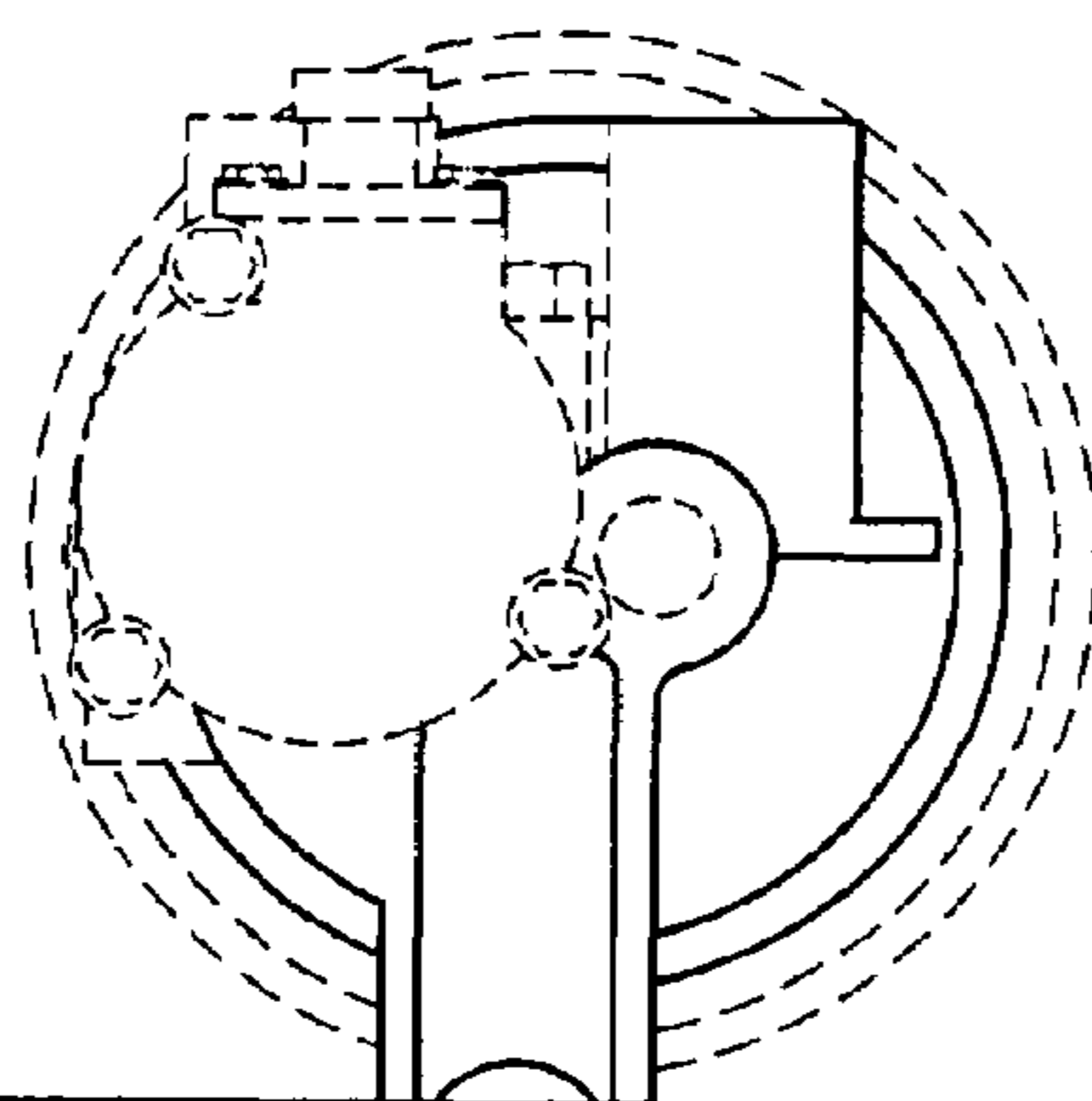
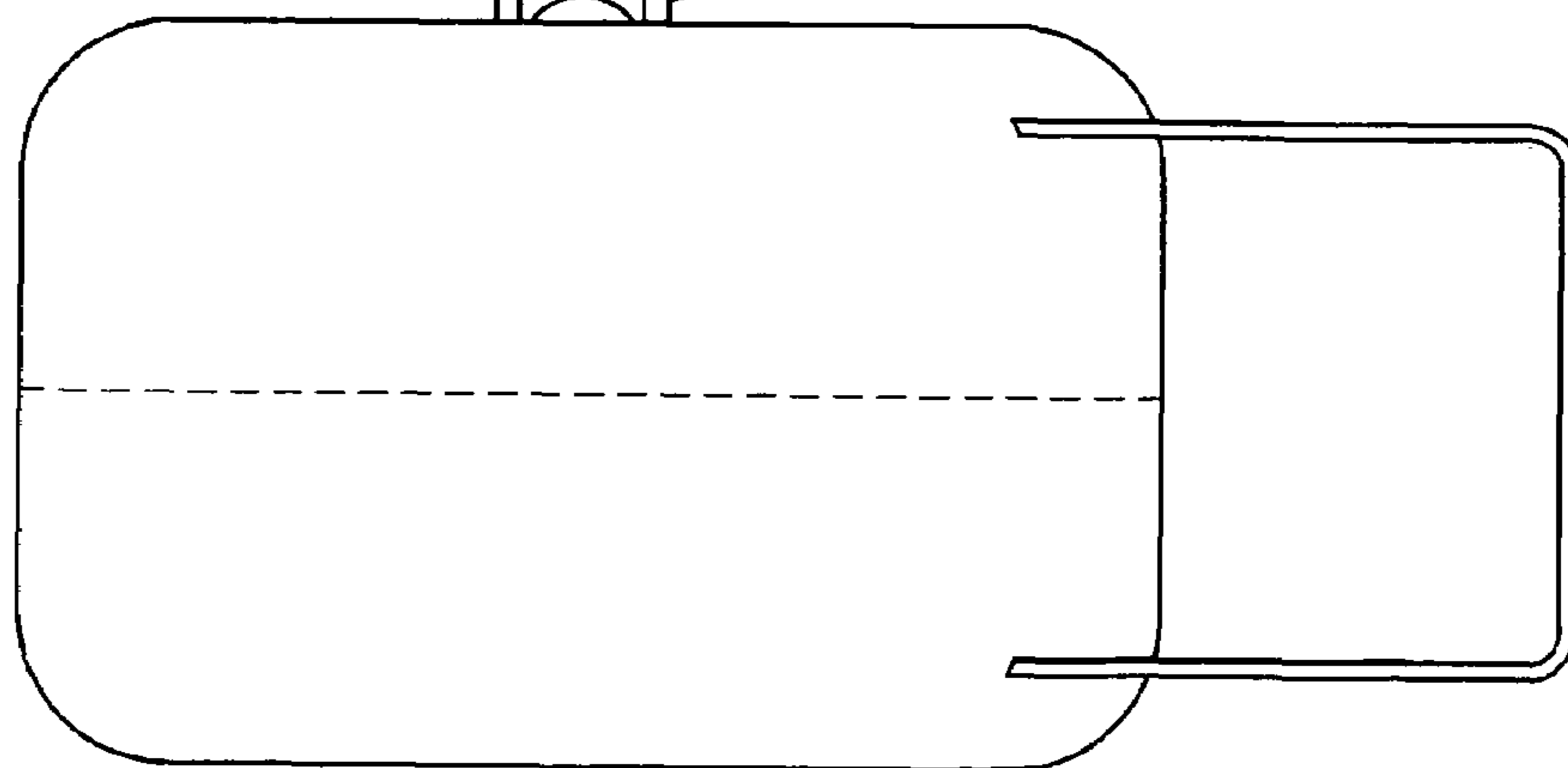


FIG. 31



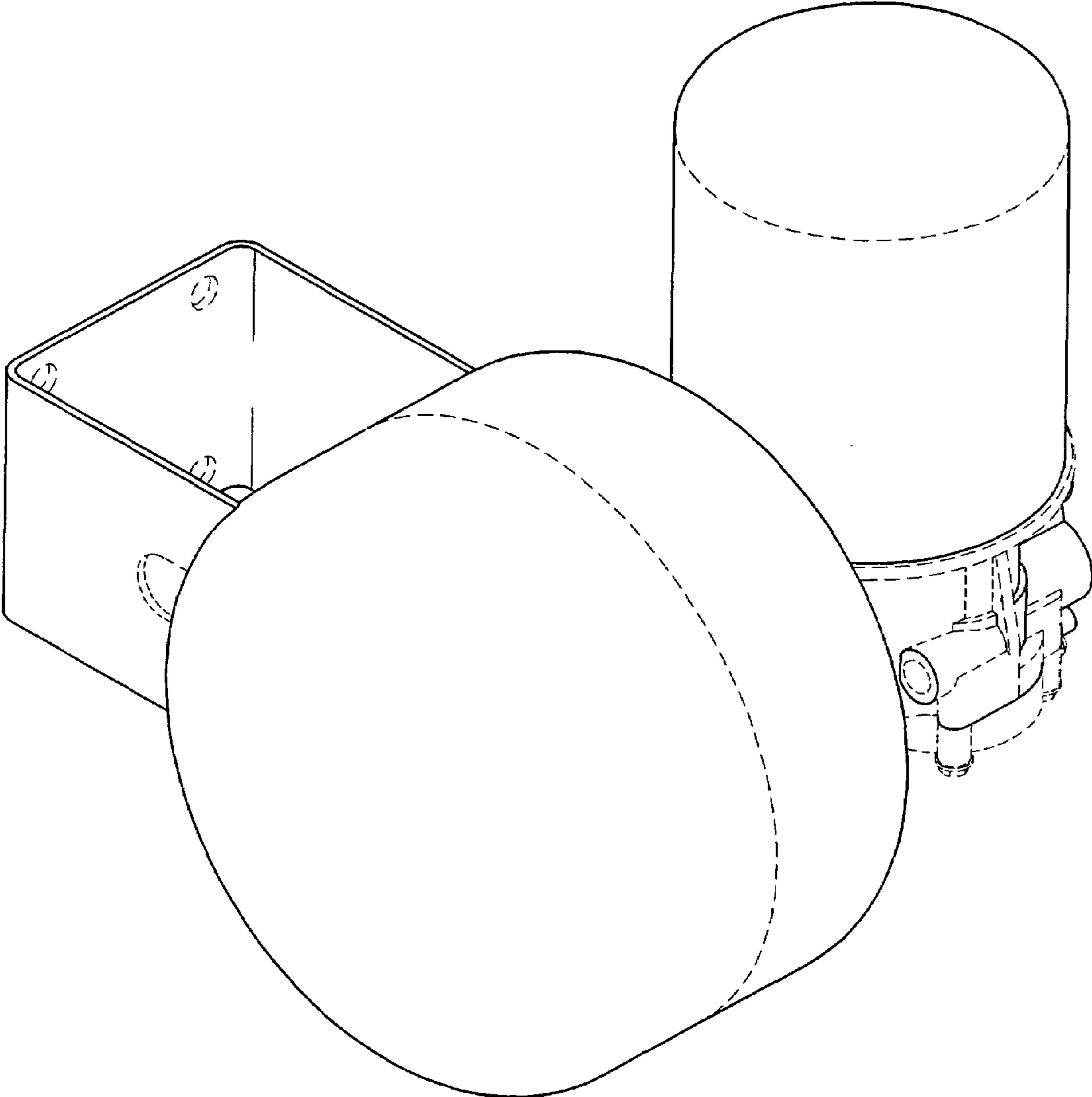


FIG. 32