



US00D574938S

(12) **United States Design Patent**
Martin et al.

(10) **Patent No.:** **US D574,938 S**
(45) **Date of Patent:** **** Aug. 12, 2008**

(54) **HEAT EXCHANGER**

(75) Inventors: **David Martin**, Concord, NC (US);
Gang Li, Manitowoc, WI (US); **David**
L. Schardt, Franklin, TN (US)

(73) Assignee: **Hayward Industries, Inc.**, Elizabeth, NJ
(US)

(**) Term: **14 Years**

(21) Appl. No.: **29/286,192**

(22) Filed: **Apr. 26, 2007**

(51) **LOC (8) Cl.** **23-03**

(52) **U.S. Cl.** **D23/323**

(58) **Field of Classification Search** D23/314,
D23/317, 332, 342, 333, 334, 335, 337, 351,
D23/355, 378, 370, 387, 364, 336, 341, 383;
237/56, 67, 61, 62; 416/244 R, 247 R, 53.1,
416/53.2, 53.3; 392/365, 367, 347, 350,
392/373, 407, 433, 78 A; 165/154

See application file for complete search history.

(56) **References Cited**

U.S. PATENT DOCUMENTS

176,964	A *	5/1876	Johnson	126/107
556,630	A	3/1896	Hoberecht	
753,250	A *	3/1904	Ebinger	126/102
1,742,362	A *	1/1930	Ludt	126/119
2,259,433	A	10/1941	Kitto	
3,568,764	A	3/1971	Newman et al.	
3,840,175	A	10/1974	Jacuzzi	
4,257,479	A	3/1981	Newton	
D264,500	S *	5/1982	Beaton	D23/342
D265,236	S *	6/1982	Yamin	D23/318
4,595,825	A	6/1986	Gordbegli	
4,907,418	A	3/1990	DeFazio	
5,201,307	A	4/1993	Afshar	
5,216,743	A	6/1993	Seitz	
5,228,618	A	7/1993	Afshar	
5,318,007	A	6/1994	Afshar	
5,487,423	A	1/1996	Romero	
5,775,267	A *	7/1998	Hou et al.	122/18.4

D397,191	S *	8/1998	Kralovec et al.	D23/316
5,802,864	A	9/1998	Yarbrough et al.	
D412,567	S *	8/1999	Ward et al.	D23/364
6,026,804	A	2/2000	Schardt et al.	
6,082,993	A	7/2000	O'Leary et al.	
6,293,335	B1	9/2001	Tawney et al.	
6,295,980	B1	10/2001	Lopez et al.	
6,321,833	B1	11/2001	O'Leary et al.	
6,499,534	B1	12/2002	Tawney et al.	
2002/0157815	A1	10/2002	Sutter	
2003/0209345	A1	11/2003	Zweig	

FOREIGN PATENT DOCUMENTS

JP 60048496 3/1985

OTHER PUBLICATIONS

U.S. Appl. No. 12/017,659, Title: Heat Exchangers and Headers Therefor, filed Jan. 22, 2008 (claiming priority to U.S. App. No. 11/698,792, and 11/789,870) (134 pages).

U.S. Appl. No. 11/789,870, Title: Heat Exchanger, filed: Apr. 26, 2007 (59 pages).

(Continued)

Primary Examiner—Robert M. Spear

Assistant Examiner—Ania K Dworzecka

(74) *Attorney, Agent, or Firm*—McCarter & English, LLP

(57) **CLAIM**

The ornamental design for a heat exchanger, as shown and described.

DESCRIPTION

FIG. 1 is a perspective view of a heat exchanger showing our new design;

FIG. 2 is a front elevational view thereof;

FIG. 3 is a rear elevational view thereof;

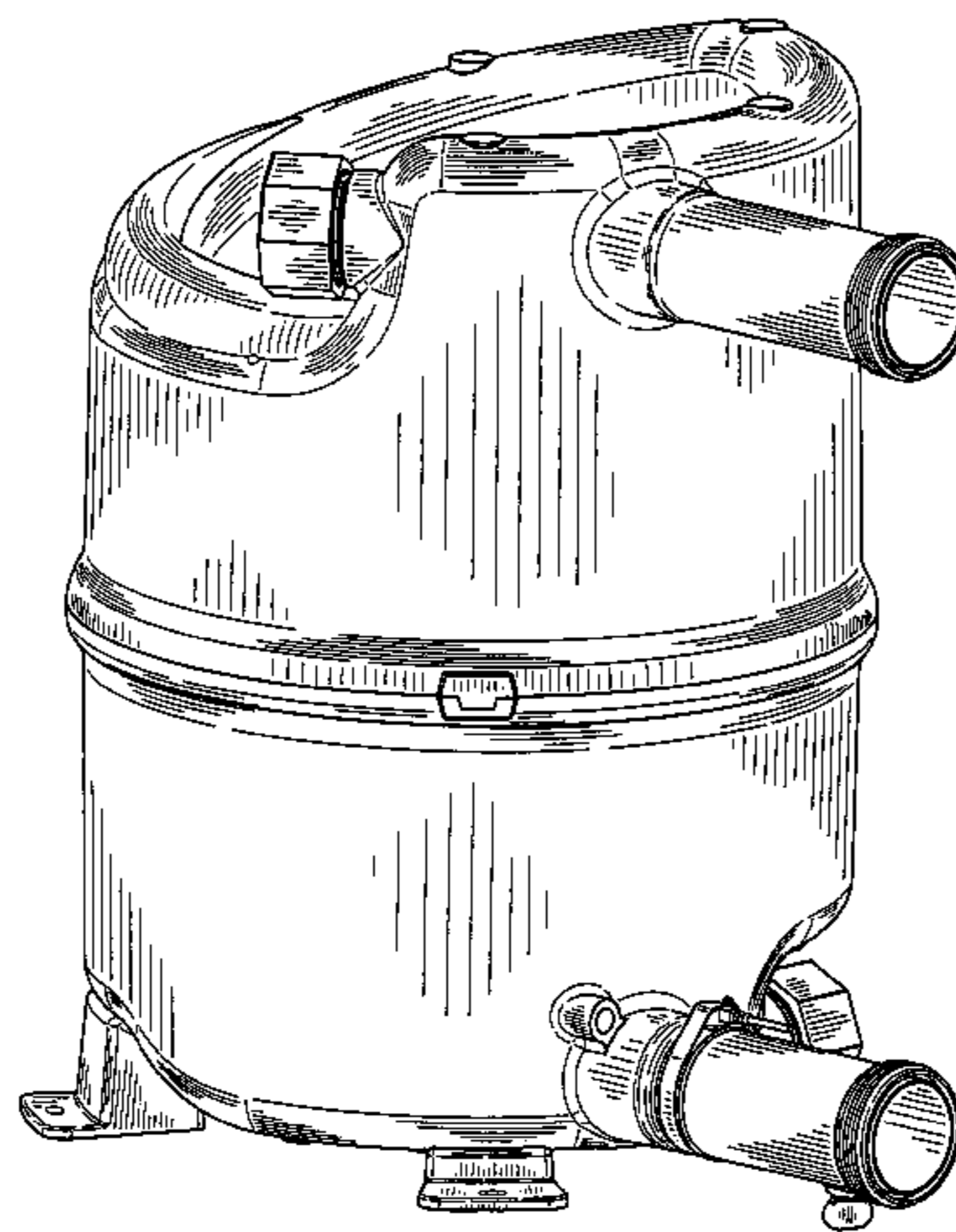
FIG. 4 is a left side elevational view thereof;

FIG. 5 is a right side elevational view thereof;

FIG. 6 is a top plan view thereof; and,

FIG. 7 is a bottom plan view thereof.

1 Claim, 7 Drawing Sheets



OTHER PUBLICATIONS

U.S. Appl. No. 11/698,792, Title: Header for a Heat Exchanger, filed: Jan. 26, 2007 (45 pages).

MiniMax CH Operation and Installation Manual (Rev. C. Jan. 22, 2004) and four photographs (taken prior to Jan. 26, 2007) of a device of the type shown at pages 7, 11, 19, and A-10 thereof (40 pages).

MiniMax NTTSI, marked © 2005 Pentair Water Pool and Spa, Inc. (2 pages).

Replacement Parts, Raypak Catalog No. 9100.554 (2005) (7 pages).

“Anything But Basic” Raypak Catalog No. 6000.12A marked © 2004 Raypak, Inc. (4 pages).

Jandy LX/LT Heaters Sell Sheet, marked © 2006 Jandy Pool Products, Inc. (2 pages).

Laars LX/LT Low NOx Parts List, marked Mfg. 2003-Present (2 pages).

Installation and Operation Manual LX and LT Gas-Fired Pool and Spa Heater, marked © Water Pik Technologies 0401 (32 pages).

Turbotec Brochure (Prior to Jan. 26, 2006) (6 pages).

* cited by examiner

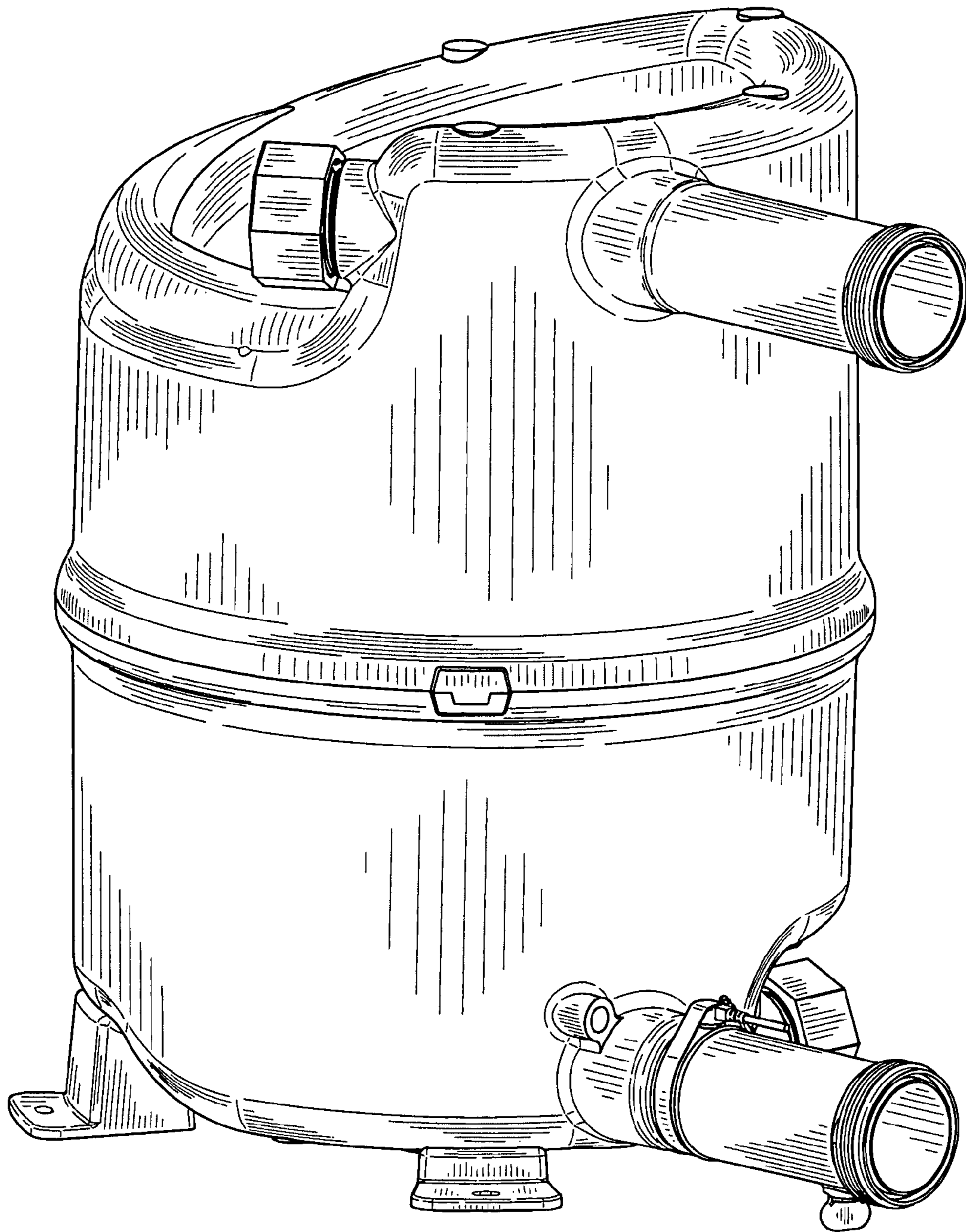


FIG. 1

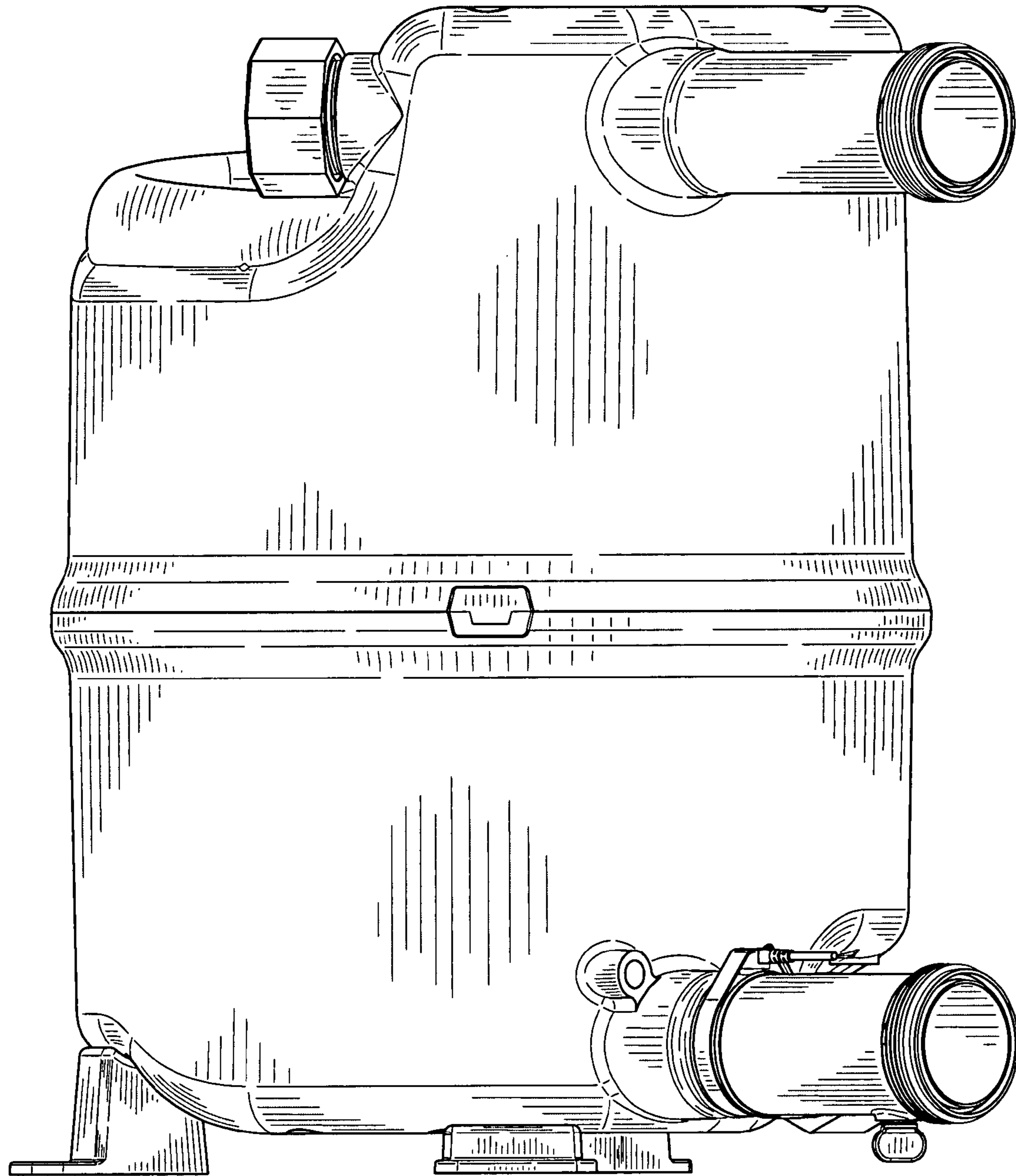


FIG. 2

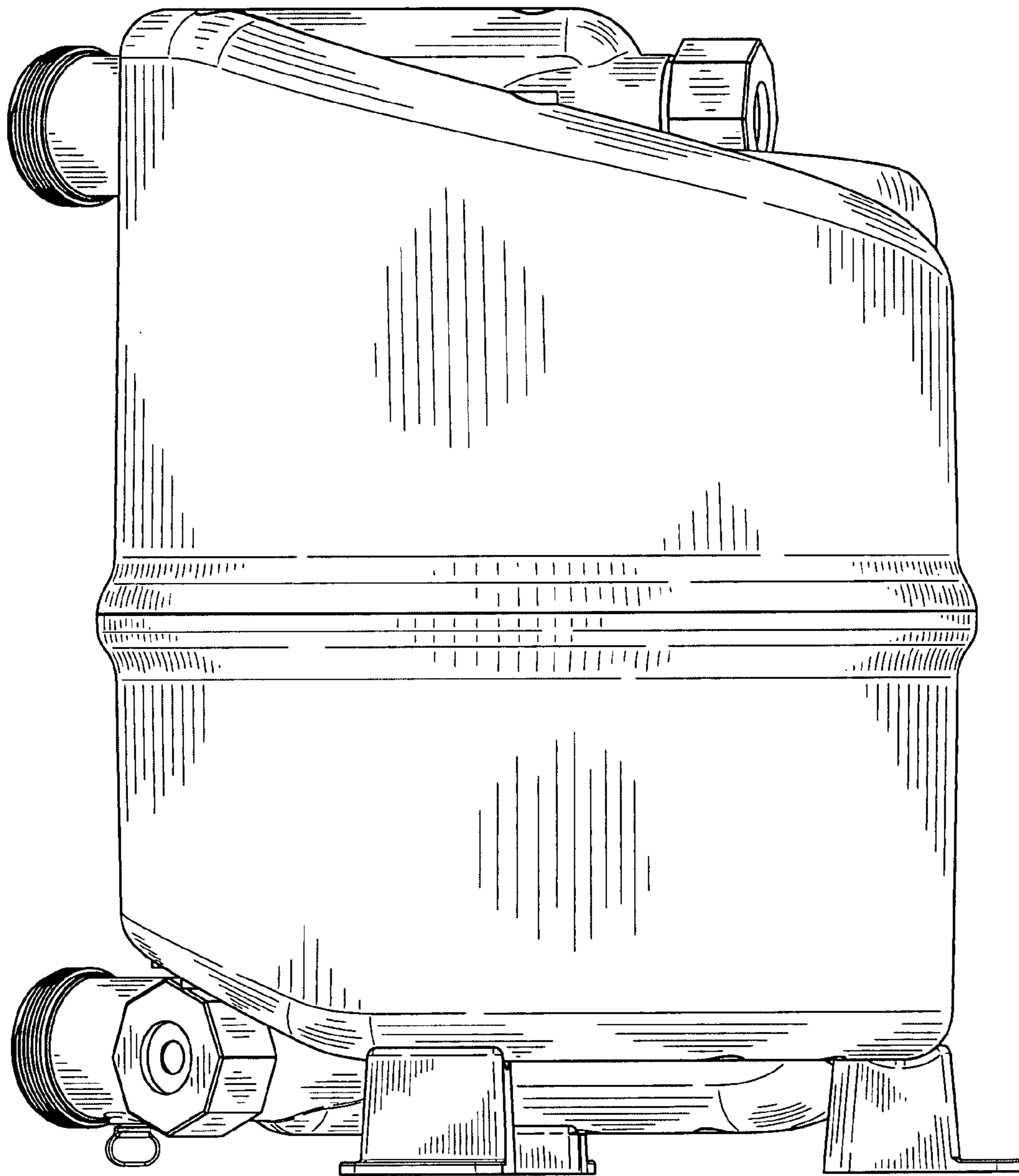


FIG. 3

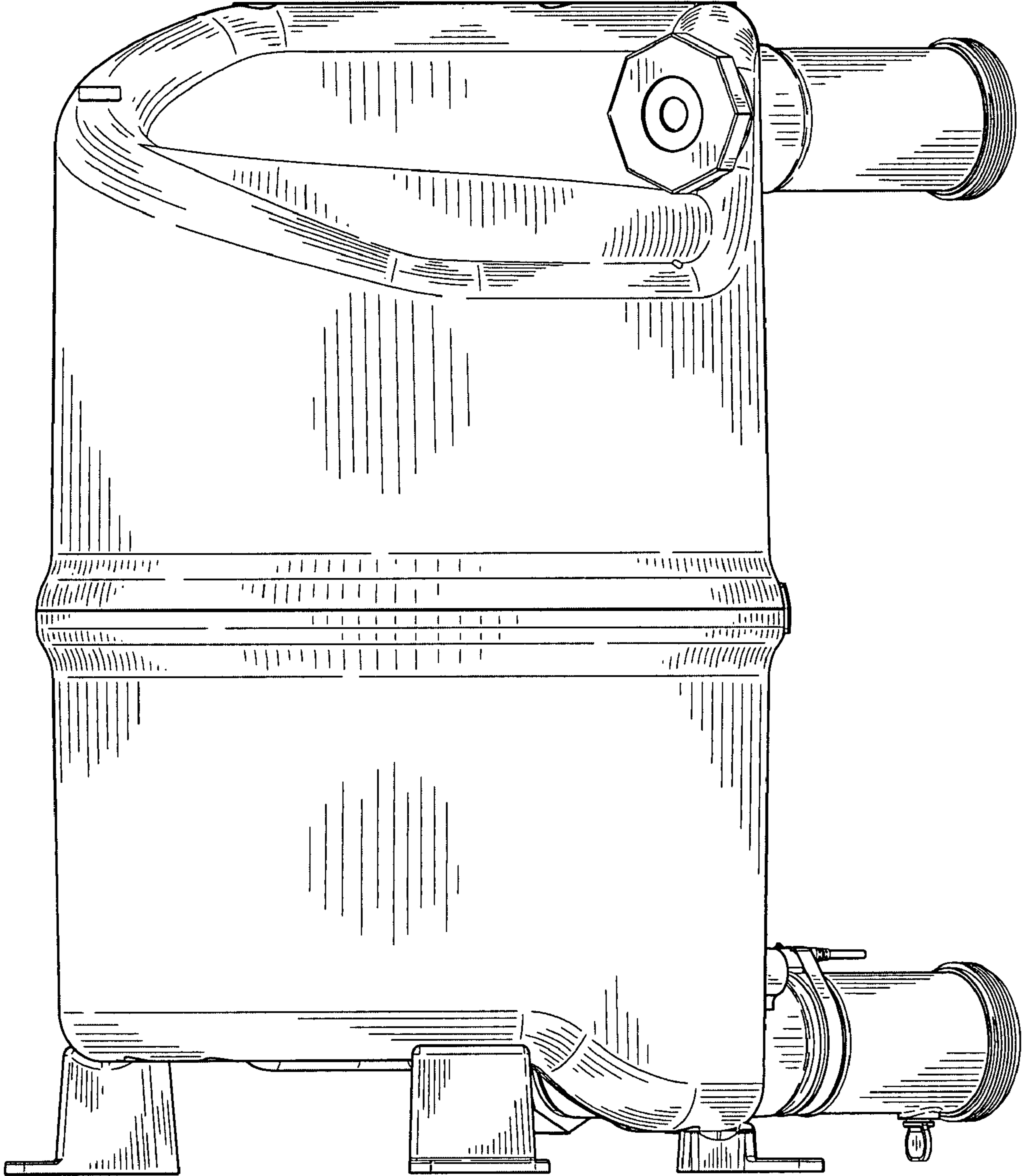


FIG. 4

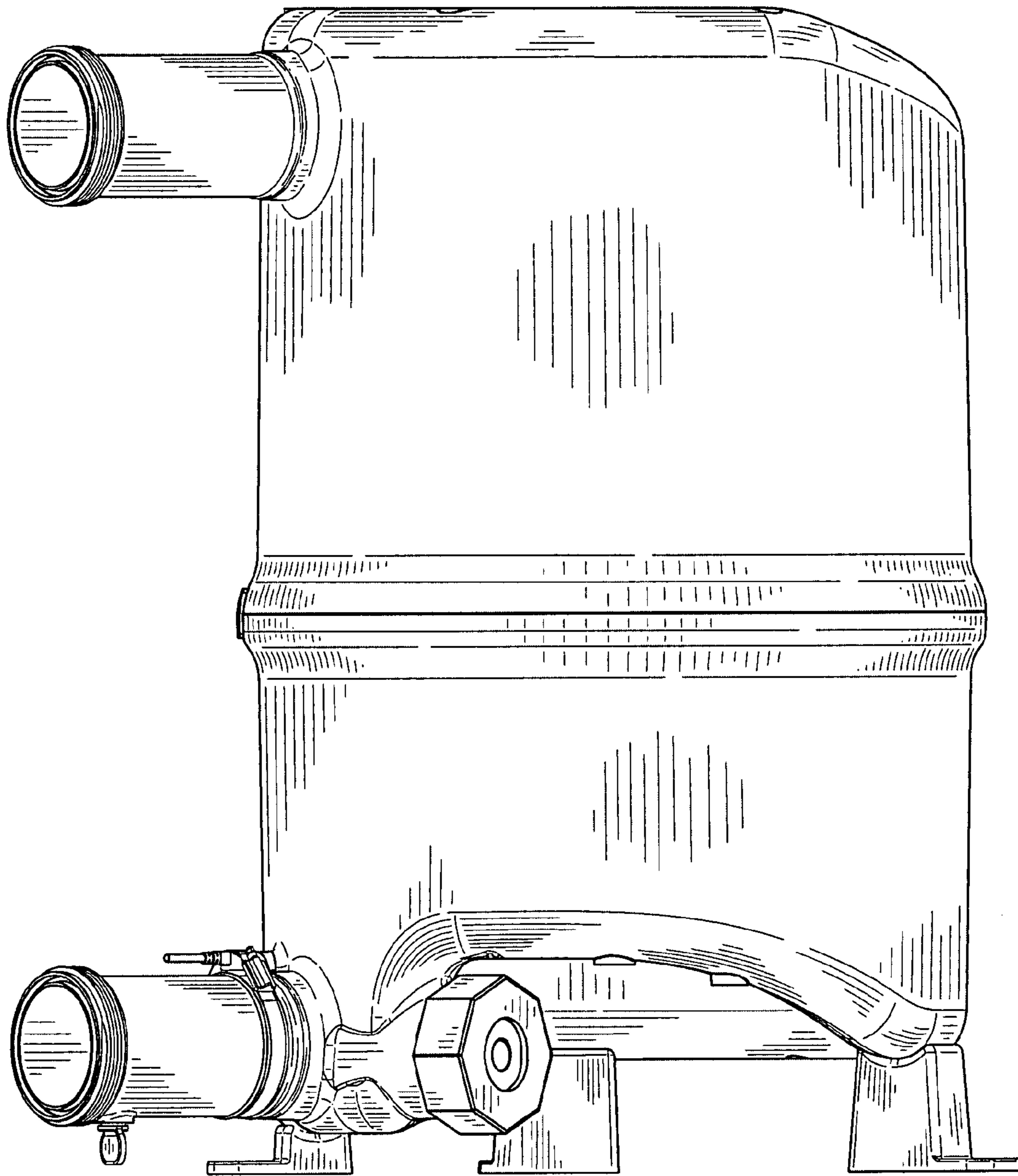


FIG. 5

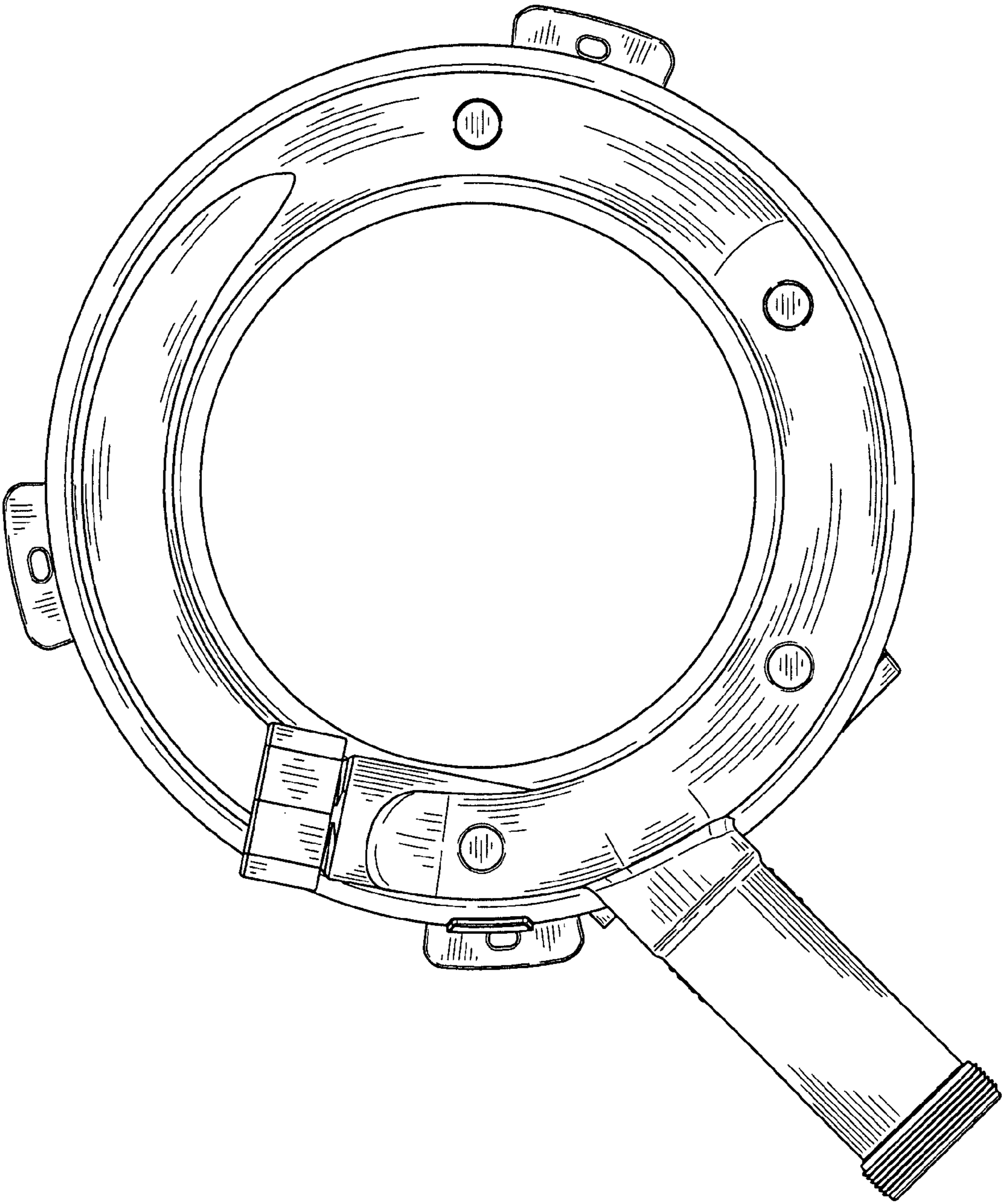


FIG. 6

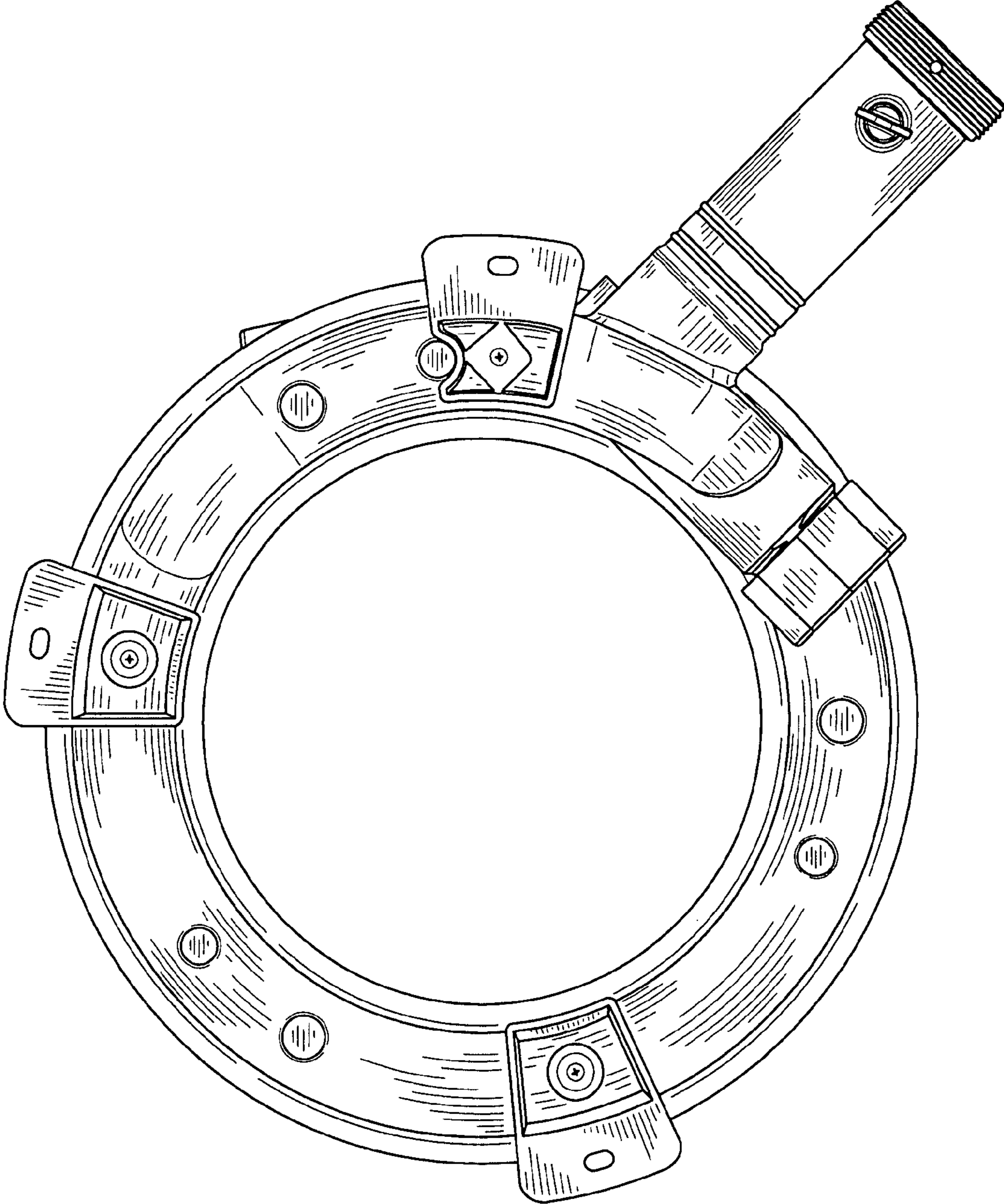


FIG. 7