



US00D574937S

(12) **United States Design Patent**  
**Gao**

(10) **Patent No.:** **US D574,937 S**

(45) **Date of Patent:** **\*\* Aug. 12, 2008**

(54) **HEATER**

(76) **Inventor:** **Tianyu Gao**, Jinke Bldg., 8 Qiongyu Rd,  
Science & Technology Park, Nanshan  
Dist., Shenzhen (CN)

(\*\*) **Term:** **14 Years**

(21) **Appl. No.:** **29/274,620**

(22) **Filed:** **May 10, 2007**

(30) **Foreign Application Priority Data**

Nov. 24, 2006 (CN) ..... 2006 3 0154839

(51) **LOC (8) Cl.** ..... **23-03**

(52) **U.S. Cl.** ..... **D23/317; D23/332**

(58) **Field of Classification Search** ..... D23/314,  
D23/317, 332, 342, 333, 334, 335, 337, 351,  
D23/355, 378, 370, 387, 364, 336, 341, 383;  
237/56, 67, 61, 62; 416/244 R, 247 R, 53.1,  
416/53.2, 53.3; 392/365, 367, 347, 350,  
392/373, 407, 433, 78 A

See application file for complete search history.

(56) **References Cited**

**U.S. PATENT DOCUMENTS**

D373,414 S *	9/1996	Bucher et al. ....	D23/335
D395,490 S *	6/1998	Jane' et al. ....	D23/337
D396,526 S *	7/1998	Boyle et al. ....	D23/335
D423,657 S *	4/2000	Lee ..... ..	D23/337
D448,837 S *	10/2001	Toro et al. ....	D23/335
D462,429 S *	9/2002	Gao ..... ..	D23/335
D462,753 S *	9/2002	Gao ..... ..	D23/335
D465,835 S *	11/2002	Gao ..... ..	D23/325

D471,969 S *	3/2003	Krauss ..... ..	D23/337
D483,101 S *	12/2003	Ching ..... ..	D23/335
D483,102 S *	12/2003	Ching ..... ..	D23/335
D513,069 S *	12/2005	Blateri ..... ..	D23/335
D526,058 S *	8/2006	Blateri ..... ..	D23/332
D534,629 S *	1/2007	Bucher et al. ....	D23/335
D550,339 S *	9/2007	Bucher et al. ....	D23/335
2007/0046107 A1 *	3/2007	Jayaram et al. ....	307/117

\* cited by examiner

*Primary Examiner*—Robert M. Spear

*Assistant Examiner*—Ania K Dworzecka

(74) *Attorney, Agent, or Firm*—Birch, Stewart, Kolasch & Birch, LLP

(57) **CLAIM**

The ornamental design for a heater, as shown and described.

**DESCRIPTION**

FIG. 1 is a front view of a heater showing my new design;

FIG. 2 is a rear view thereof;

FIG. 3 is a right side view thereof;

FIG. 4 is a left side view thereof;

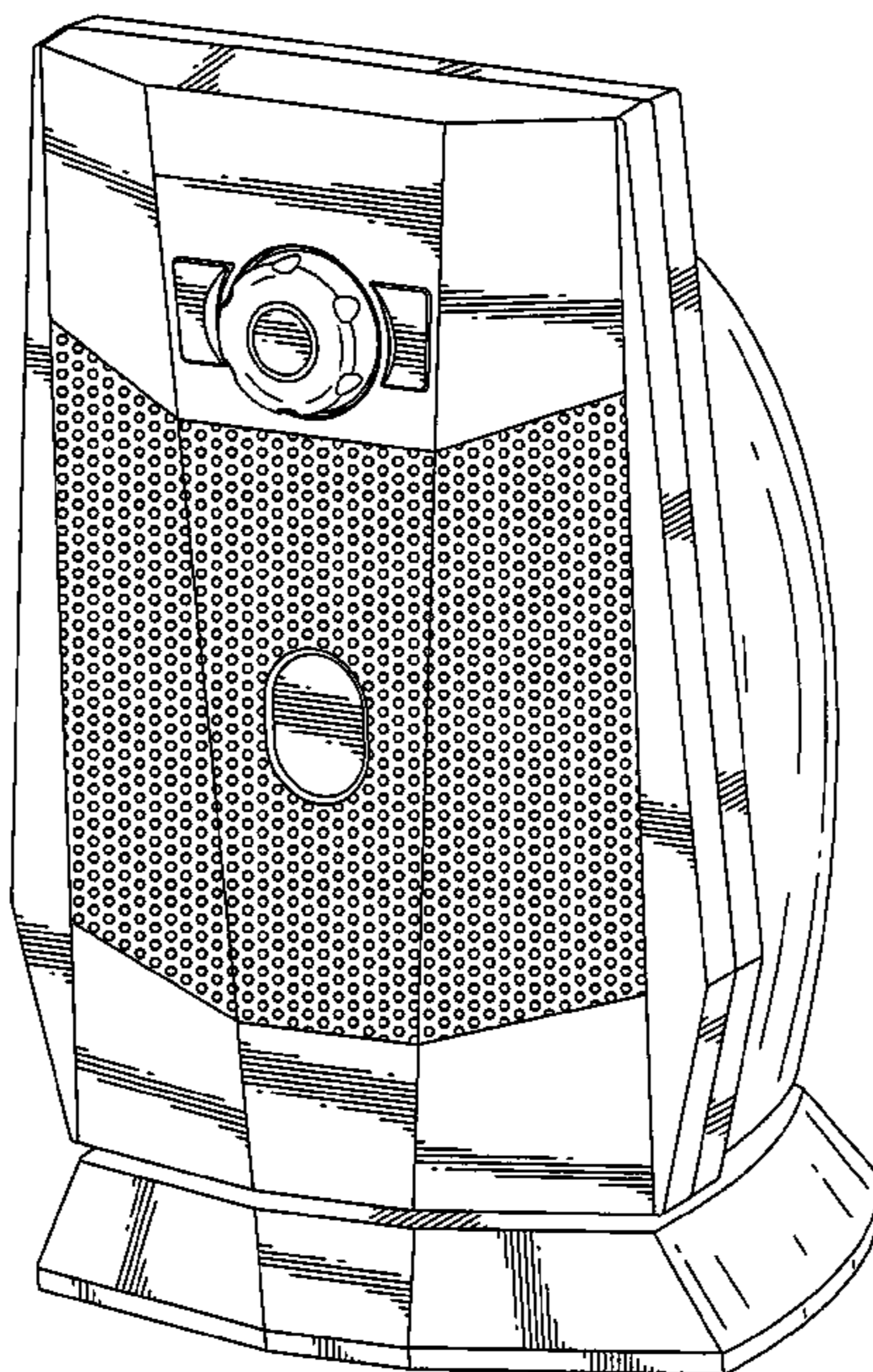
FIG. 5 is a top plan view thereof; and,

FIG. 6 is a perspective view thereof.

The broken line showing of the handle is for the purpose of illustrating environmental structure and forms no part of the claimed design.

In FIG. 2, the broken lines depict environmental subject matter only and form no part of the claimed design.

**1 Claim, 6 Drawing Sheets**



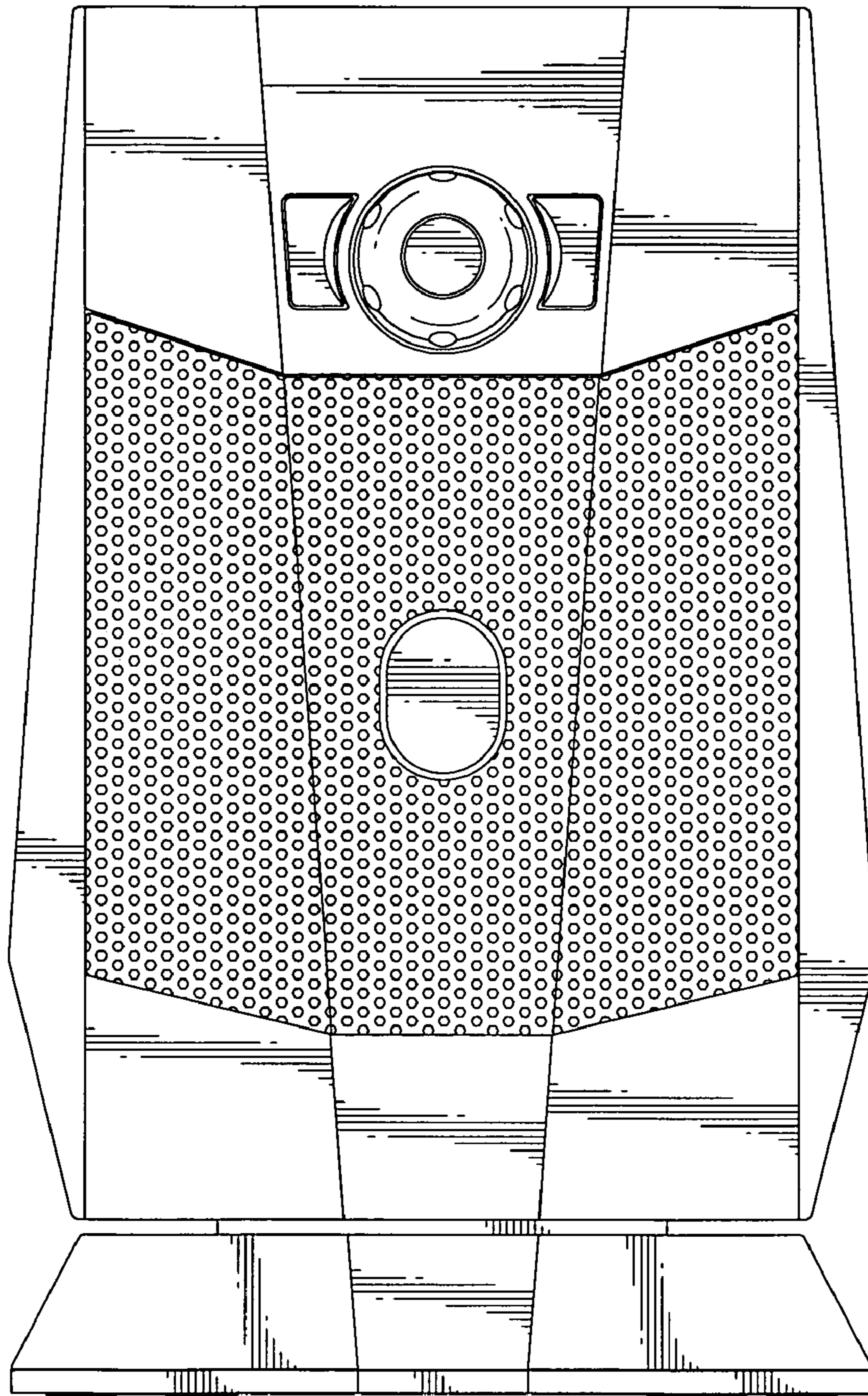


FIG. 1

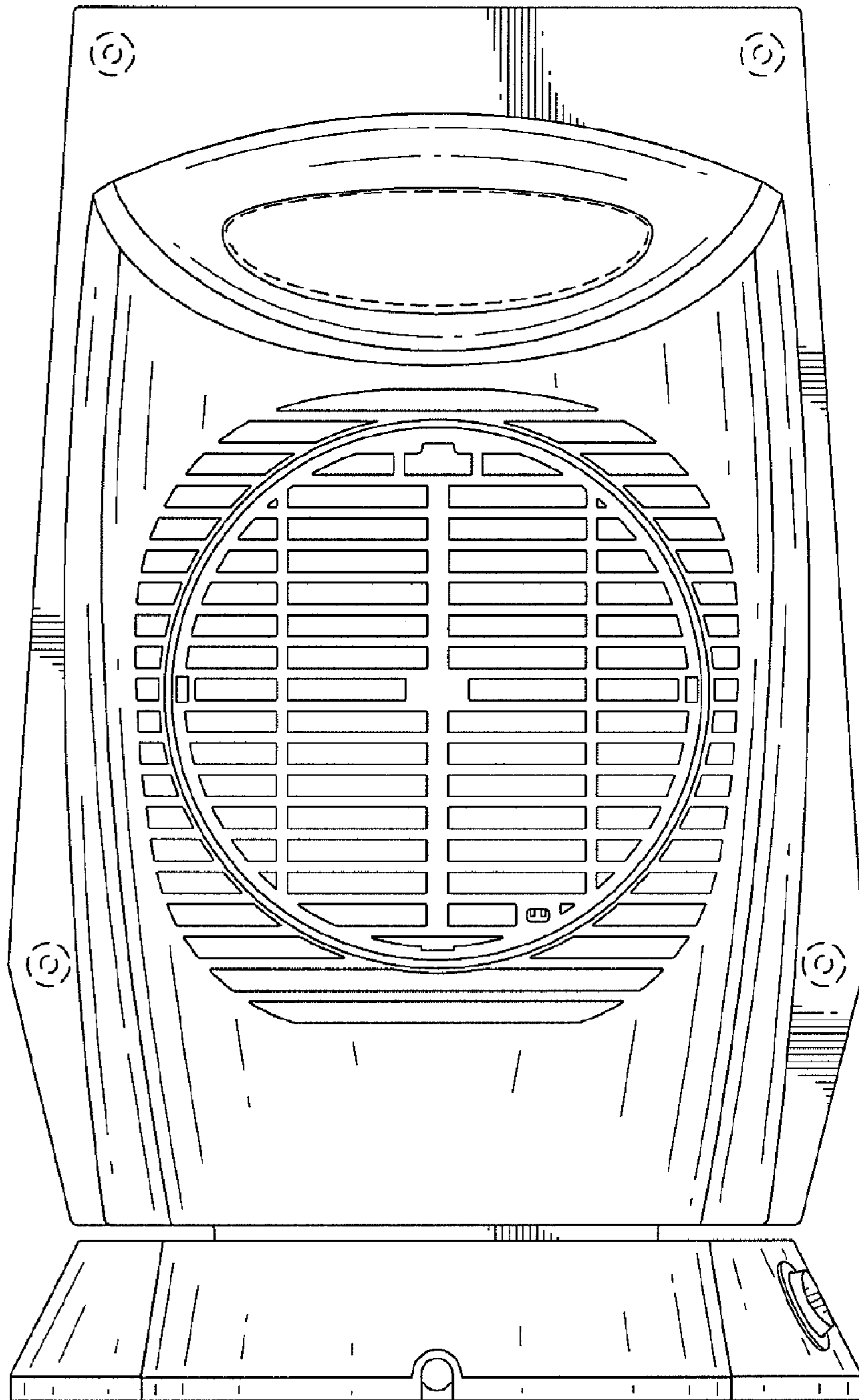


FIG.2

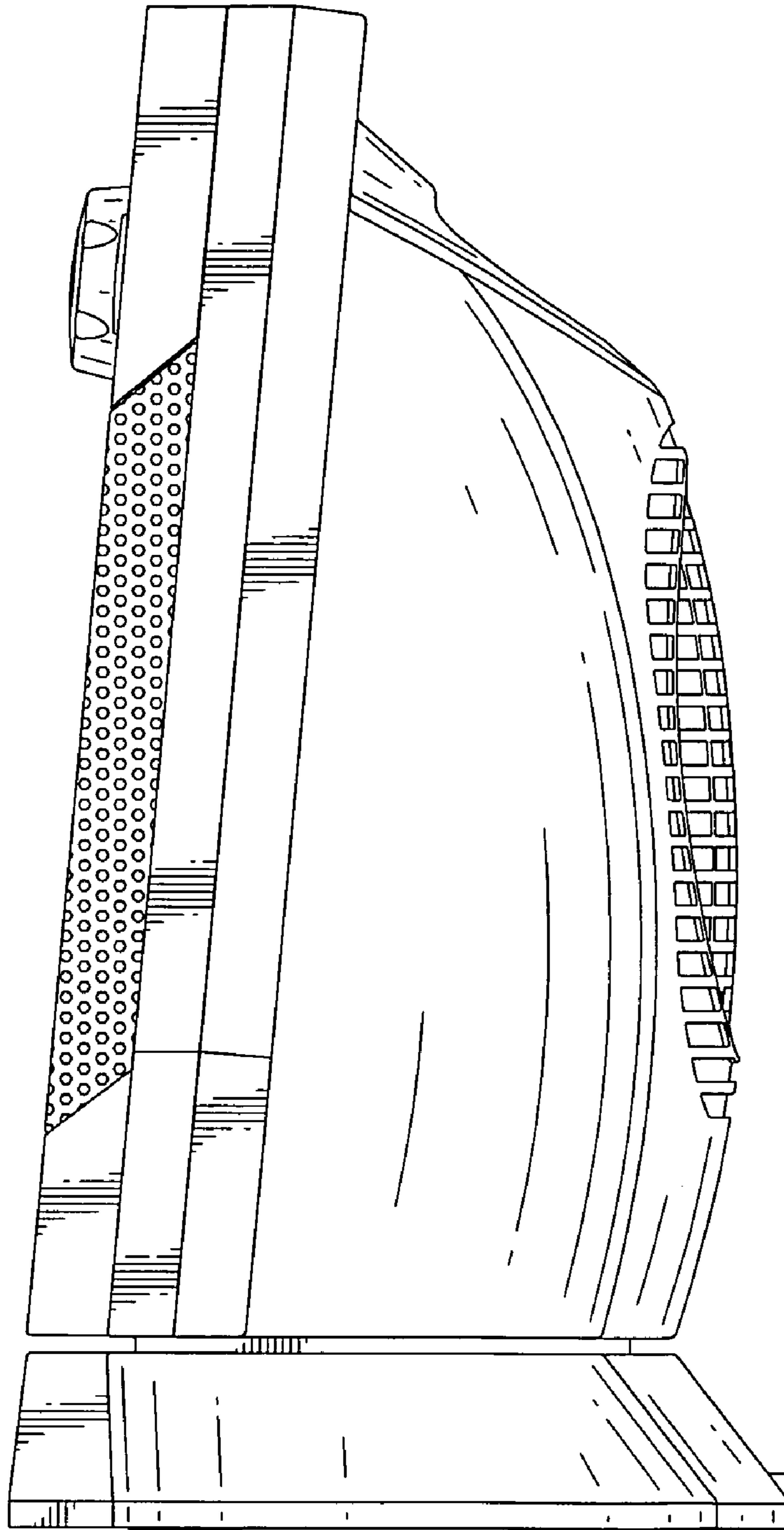


FIG.3

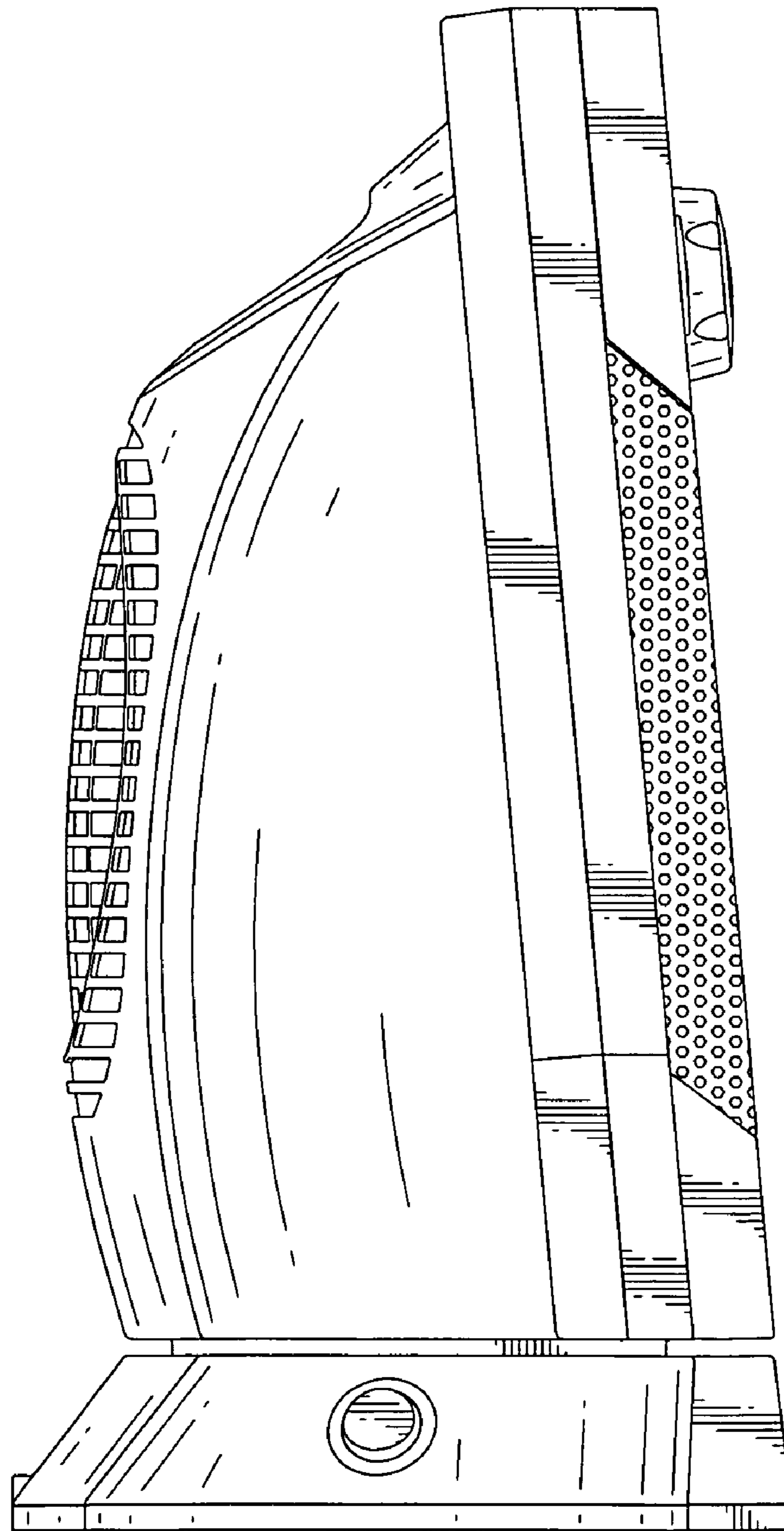


FIG.4

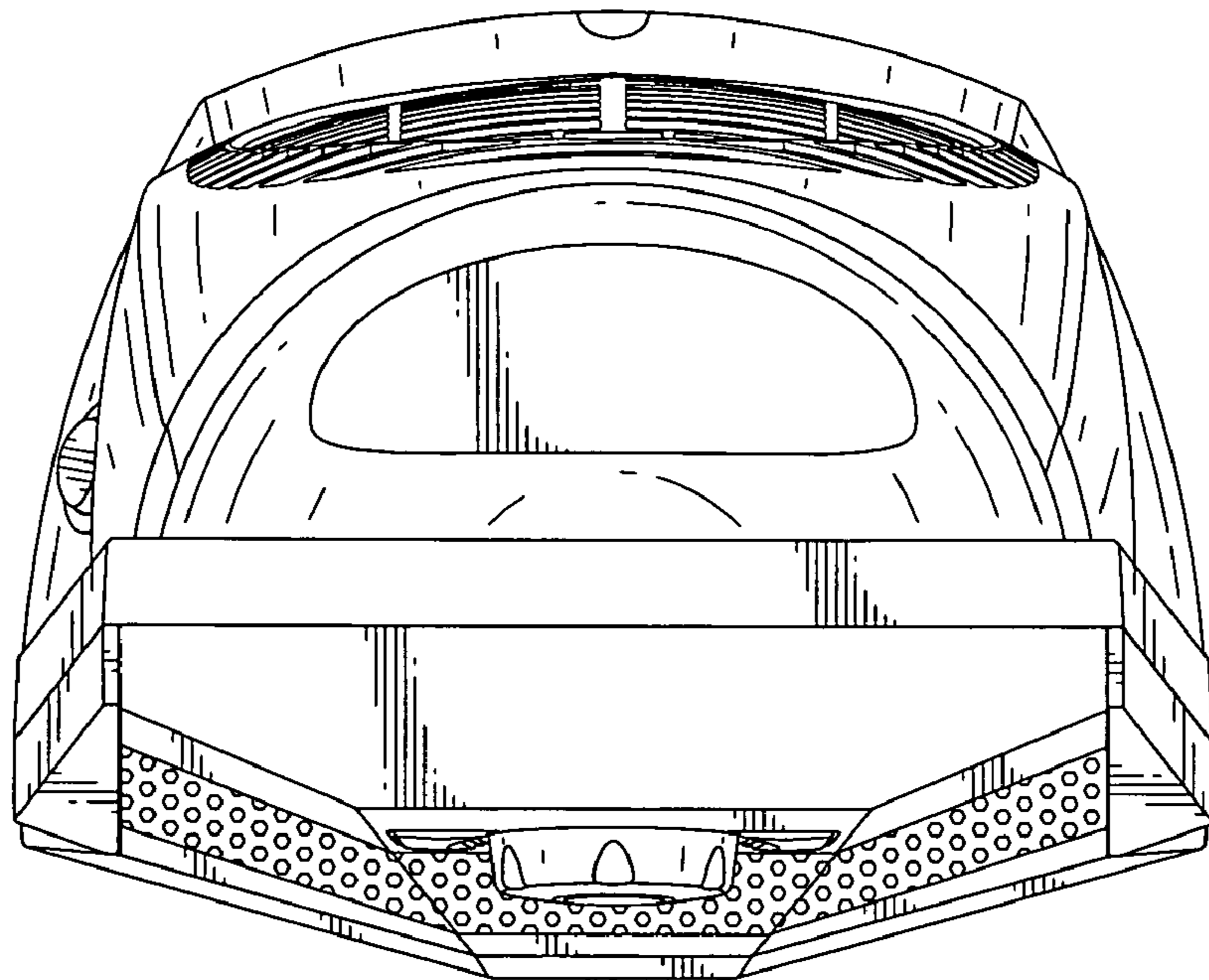


FIG.5

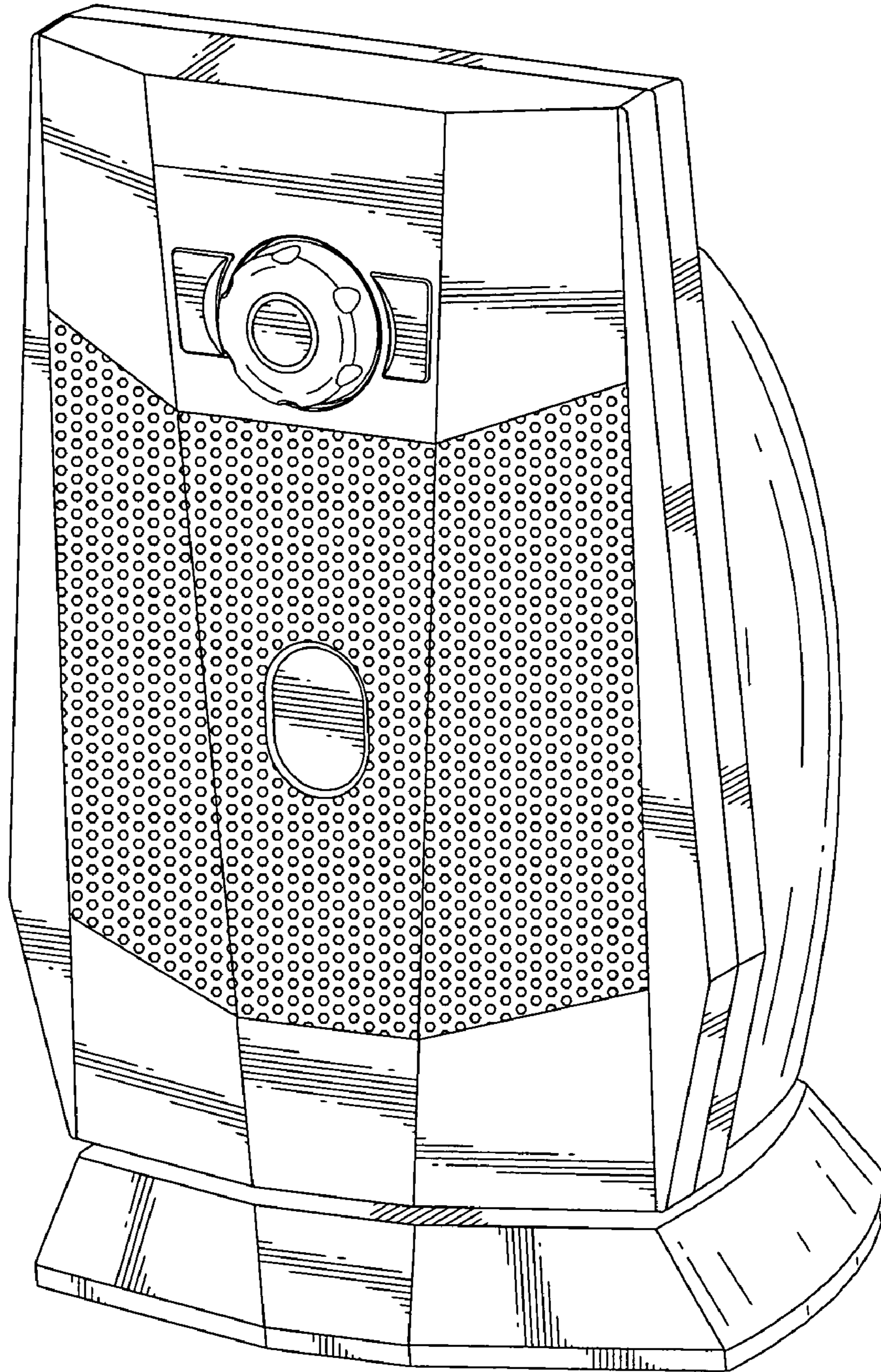


FIG.6