

US00D574931S

(12) **United States Design Patent**
Hughes

(10) **Patent No.:** **US D574,931 S**

(45) **Date of Patent:** **** Aug. 12, 2008**

(54) **CLOSET FLANGE EXTENDER**

(75) Inventor: **Alan Hughes**, Wayne, NJ (US)

(73) Assignee: **Set-Rite Products, LLC**, Wayne, NJ (US)

(**) Term: **14 Years**

(21) Appl. No.: **29/273,309**

(22) Filed: **Mar. 2, 2007**

(51) **LOC (8) Cl.** **23-01**

(52) **U.S. Cl.** **D23/262**

(58) **Field of Classification Search** D23/259–269;
4/252.1, 252.4–252.5; 138/90; 285/56–60
See application file for complete search history.

(56) **References Cited**

U.S. PATENT DOCUMENTS

D29,291 S *	8/1898	Rice	D23/265
D34,101 S *	2/1901	Griffiths	D23/262
2,673,985 A	4/1954	Gay		
2,908,513 A	10/1959	Karlinski		
3,846,851 A *	11/1974	Pepper	4/252.4
3,896,510 A	7/1975	O'Connell		
4,384,910 A	5/1983	Prodyna		
4,515,398 A	5/1985	Machon, Sr.		
4,827,539 A *	5/1989	Kiziah	4/252.4
5,018,224 A	5/1991	Hodges		
5,115,554 A *	5/1992	Fell, Sr.	4/252.4
D334,051 S *	3/1993	Fell, Sr.	D23/262
5,190,320 A	3/1993	Hodges		
5,232,250 A	8/1993	Bonacci		
5,297,817 A *	3/1994	Hodges	285/15
5,432,957 A	7/1995	Fernie et al.		
5,996,134 A	12/1999	Senninger		
6,065,160 A	5/2000	Winn		
6,070,910 A *	6/2000	Hodges	285/2
6,223,356 B1	5/2001	Corbin		
6,332,632 B1 *	12/2001	Hodges	285/56
6,443,495 B1	9/2002	Harmeling		
6,581,214 B1	6/2003	Love et al.		
6,598,241 B1 *	7/2003	Williams	4/252.1
6,751,812 B2	6/2004	Malloy		
2004/0034907 A1 *	2/2004	Malloy	4/252.4

2005/0278841 A1* 12/2005 Coronado et al. 4/252.5
2006/0213003 A1* 9/2006 Hughes 4/252.4

OTHER PUBLICATIONS

Flier for J-tec Products Company, "Closet Flange Extension", undated, 1 page.

Web page, <http://jtecprod.com/products2.html>, untitled document, dated Mar. 12, 2005, 1 page.

Quik-Fix, "closet ring extenders, flange support kit, metal ring replacement flange, Quik Fix, Span-A-B . . ." <http://www.quickfixplumbingproducts.com/>, dated Mar. 23, 2005, 3 pages.

Quik-Fix, "closet flange extender brochure", <http://www.quickfixplumbingproducts.com/extbroch.htm>, dated Mar. 23, 2005, 1 page.

Web page, <http://www.bluechipdistributor.com/catalog/i203.html>, "New! Sioux Chief Stainless Steel Push-Tile Gasketed Toilet Flange", Mar. 23, 2005, 1 page.

Web page, <http://www.wantasub.com/bayflange.html>, "Toilet Flange", Mar. 23, 2005, 1 page.

* cited by examiner

Primary Examiner—Louis S Zarfaz

Assistant Examiner—Eric L Goodman

(74) *Attorney, Agent, or Firm*—Hoffmann & Baron, LLP

(57) **CLAIM**

The ornamental design for a closet flange extender, as shown and described.

DESCRIPTION

FIG. 1 is a front perspective view of a closet flange extender;

FIG. 2 is a rear perspective view thereof;

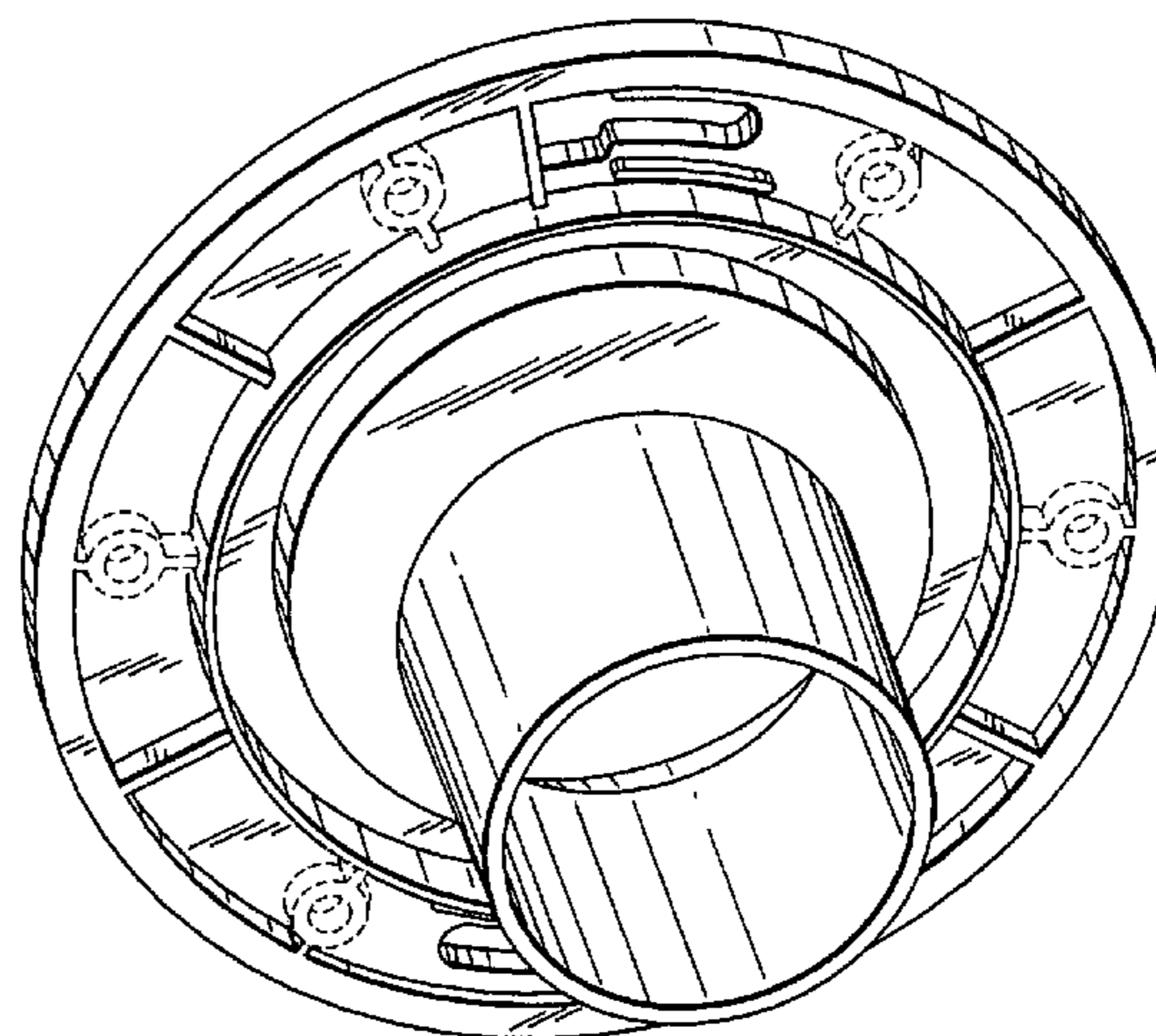
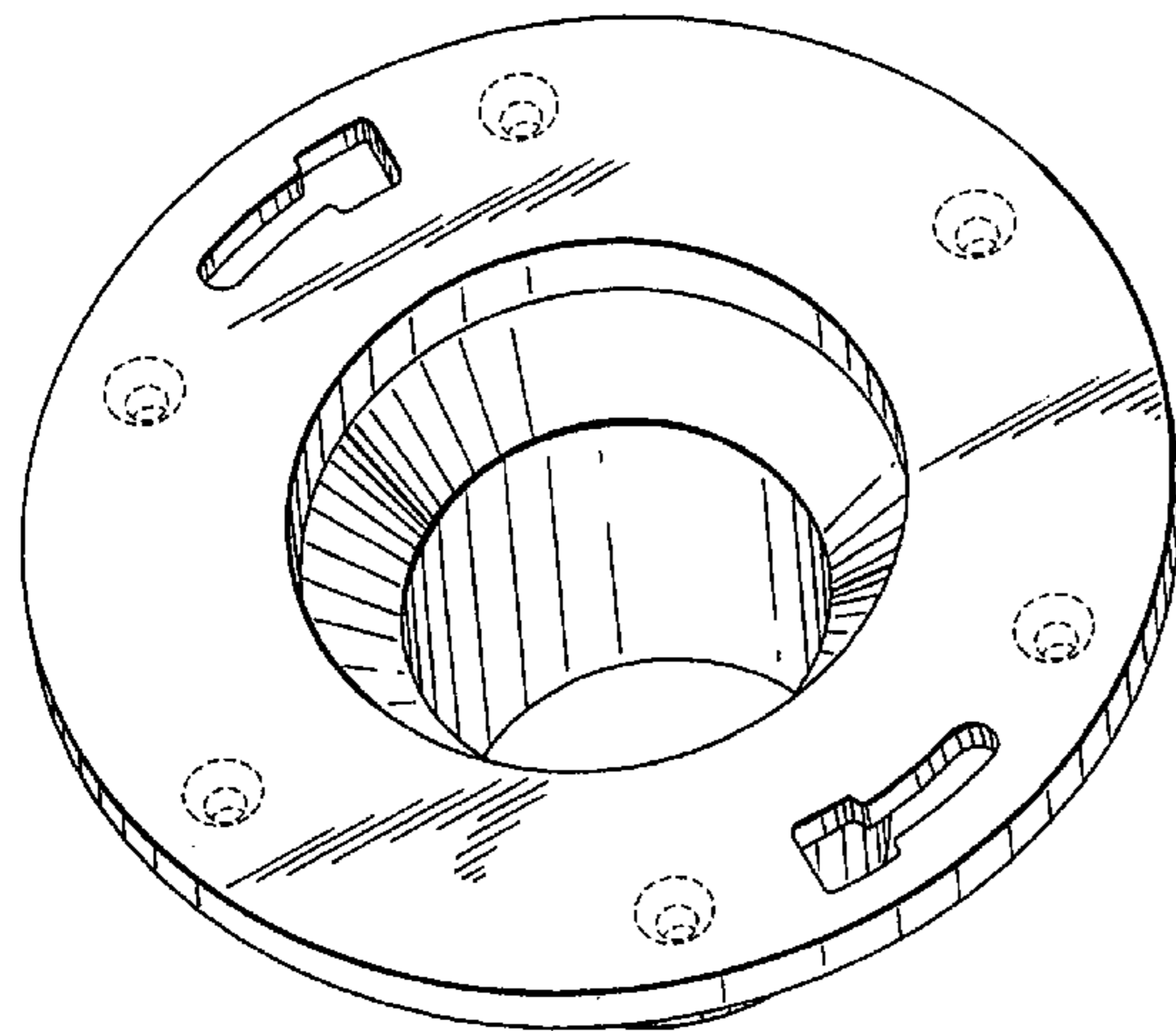
FIG. 3 is a top plan view thereof;

FIG. 4 is a front elevational view thereof, the rear, right and left elevational views being identical to the front elevational view; and,

FIG. 5 is a bottom plan view thereof.

The broken line showings of FIGS. 1, 2, 3 and 5 are for illustrative purposes only and form no part of the claimed invention.

1 Claim, 3 Drawing Sheets



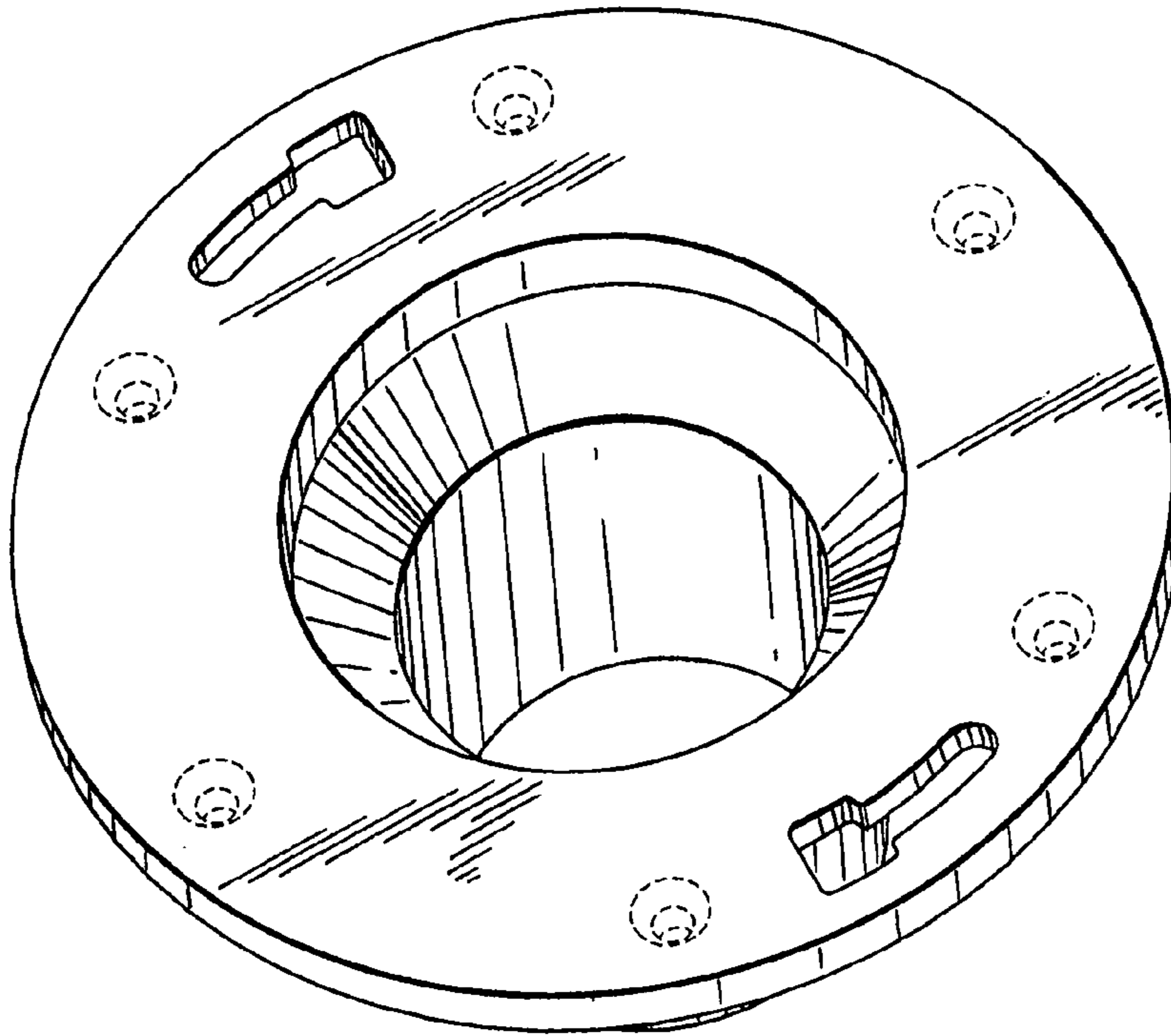


FIG. 1

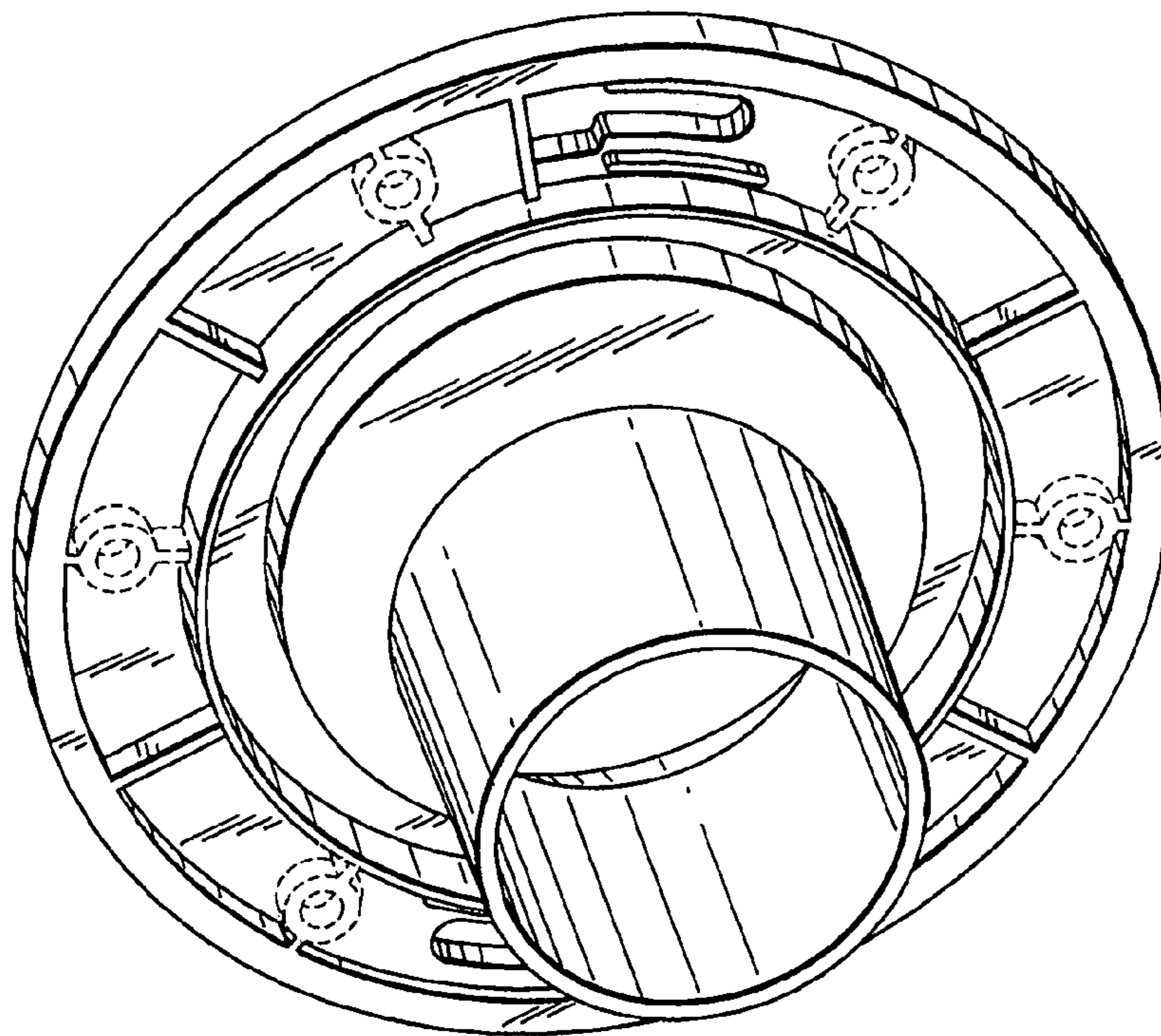


FIG. 2

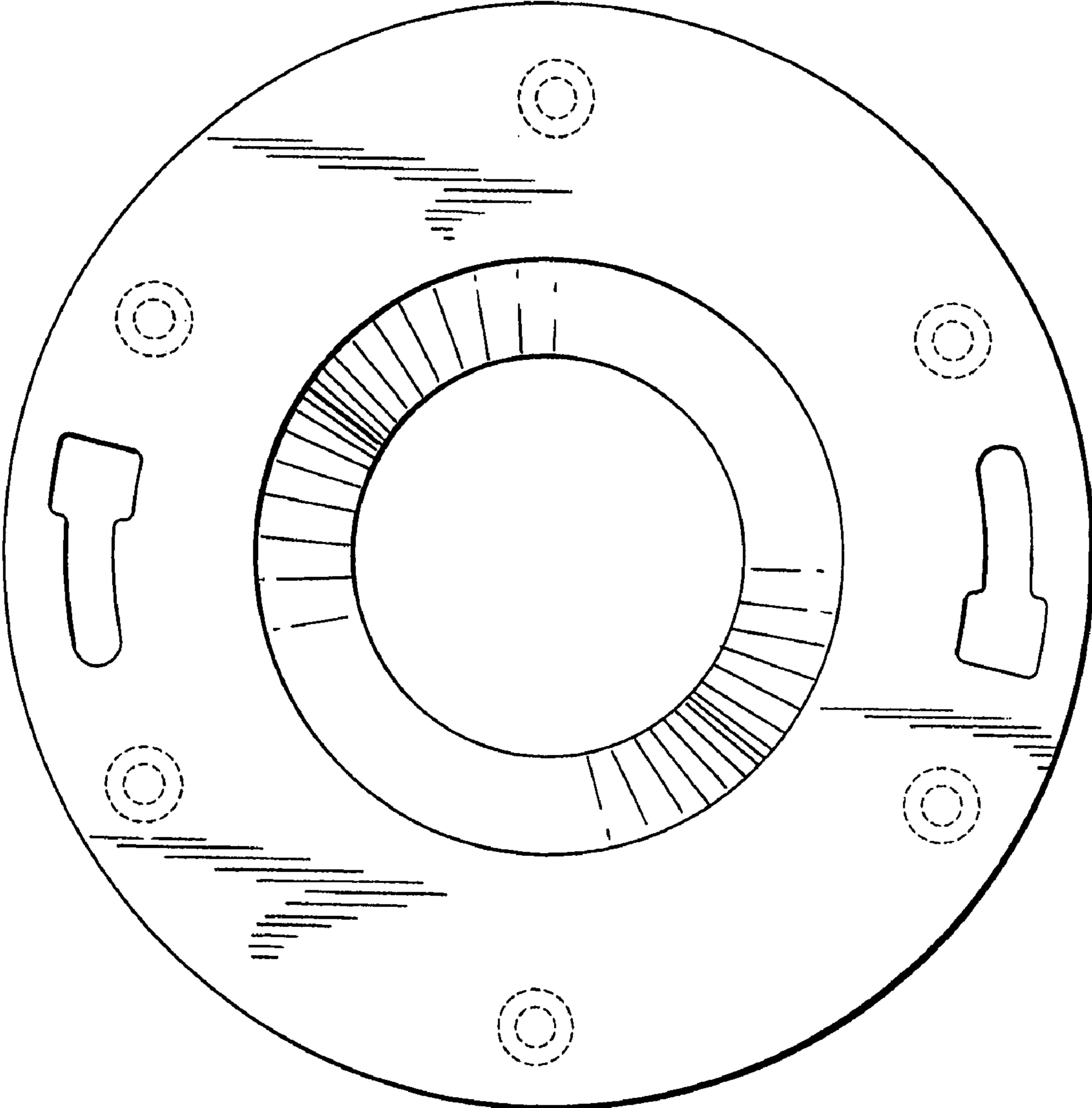


FIG.3

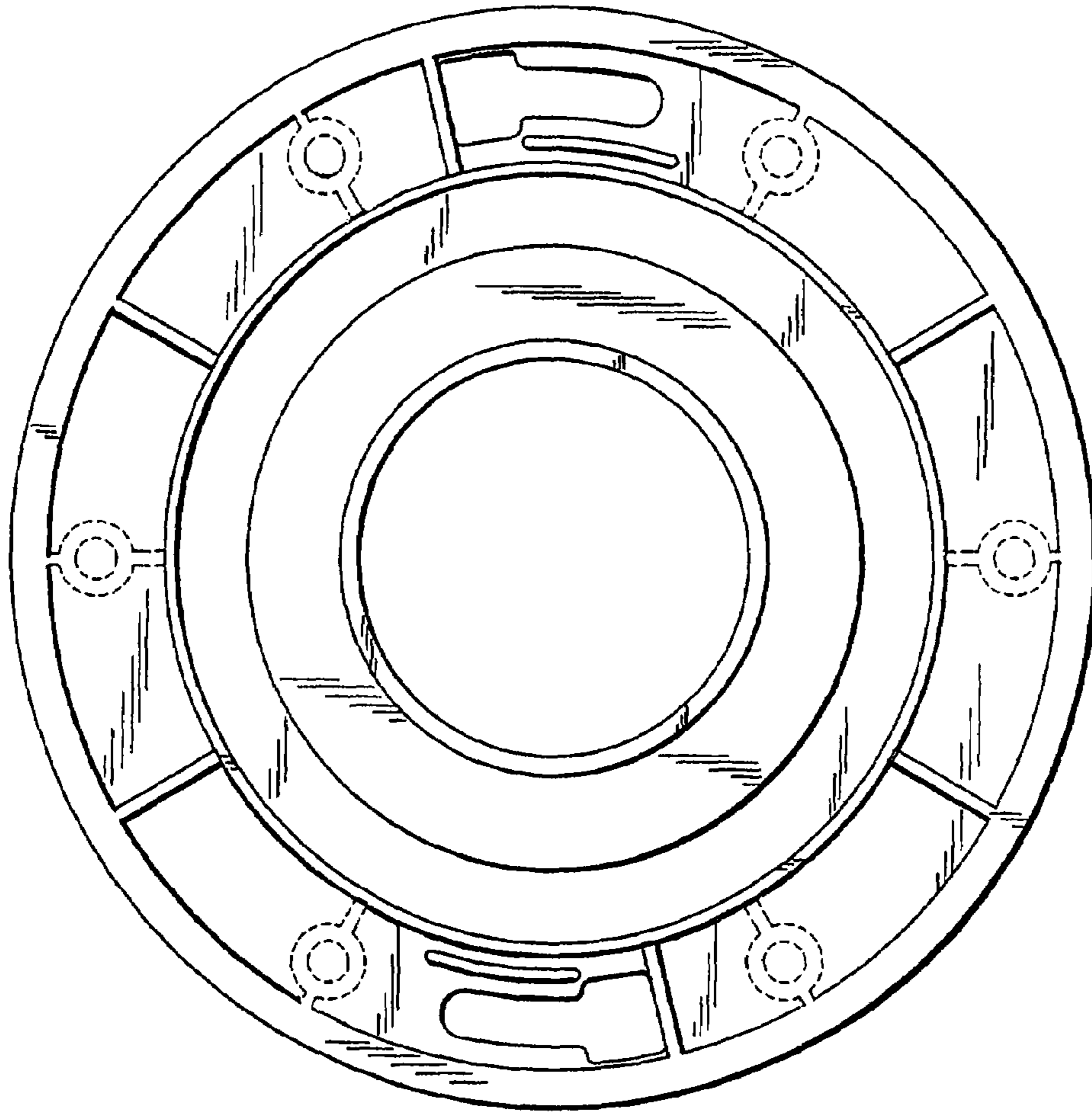


FIG. 5

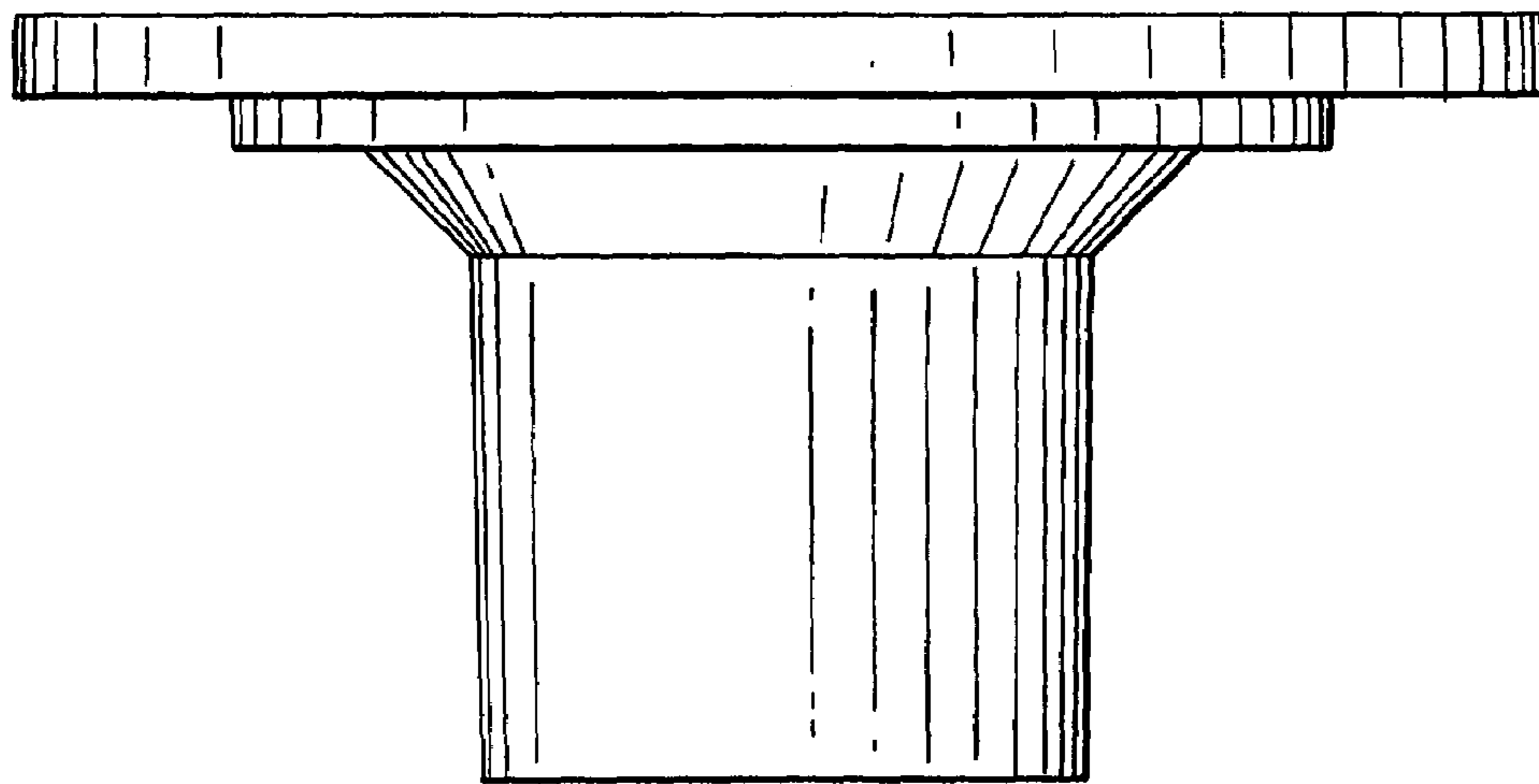


FIG. 4