



US00D574930S

(12) **United States Design Patent**
Hanna

(10) **Patent No.:** **US D574,930 S**

(45) **Date of Patent:** **** Aug. 12, 2008**

(54) **SPOUT BODY**

(75) Inventor: **Aaron Hanna**, Corona, CA (US)

(73) Assignee: **Newfrey LLC**, Newark, DE (US)

(**) Term: **14 Years**

(21) Appl. No.: **29/272,638**

(22) Filed: **Feb. 13, 2007**

(51) **LOC (8) Cl.** **23-02**

(52) **U.S. Cl.** **D23/255**

(58) **Field of Classification Search** D23/250-257,
D23/238-243, 244-249; 4/675-678; D8/300,
D8/307-308, 310-312, 321; D6/550; 137/801;
16/110.1, 441

See application file for complete search history.

(56) **References Cited**

U.S. PATENT DOCUMENTS

D76,790 S	3/1928	Fraser
1,676,800 A	7/1928	Richards et al.
2,343,804 A	3/1944	Salemme
D291,236 S	8/1987	Delepine
D295,550 S	5/1988	Yost
D296,354 S	6/1988	Fabian
D300,653 S	4/1989	Paul
D318,901 S	8/1991	Rodstein
D323,700 S	2/1992	Wilde
D329,688 S	9/1992	Yost
D349,757 S	8/1994	Altman
D373,179 S	8/1996	Sieger
D397,423 S	8/1998	Short et al.
D404,467 S	1/1999	Doughty et al.
D406,877 S	3/1999	Esche et al.
D408,505 S	4/1999	Garcia
D409,726 S	5/1999	Formgren
D415,825 S	10/1999	Chang et al.
D416,982 S	11/1999	Warshawsky et al.

D422,342 S	4/2000	Mark et al.
D426,618 S	6/2000	Mark et al.
D428,965 S	8/2000	Slothower
D444,212 S	6/2001	Fleischmann
D448,065 S	9/2001	Pitsch et al.
D448,453 S	9/2001	Lord
6,370,713 B2	4/2002	Bosio
D460,150 S	7/2002	Rexach
D461,540 S	8/2002	Gottwald
D463,531 S	9/2002	Gottwald
D463,535 S	9/2002	Singtoroj
D465,011 S	10/2002	Singtoroj et al.

(Continued)

Primary Examiner—Robert A Delehanty
(74) *Attorney, Agent, or Firm*—Richard J. Veltman

(57) **CLAIM**

The ornamental design for a spout body, as shown and described.

DESCRIPTION

FIG. 1 is a perspective view of a spout body showing a new design;

FIG. 2 is a front view thereof;

FIG. 3 is a back view thereof;

FIG. 4 is a top view thereof;

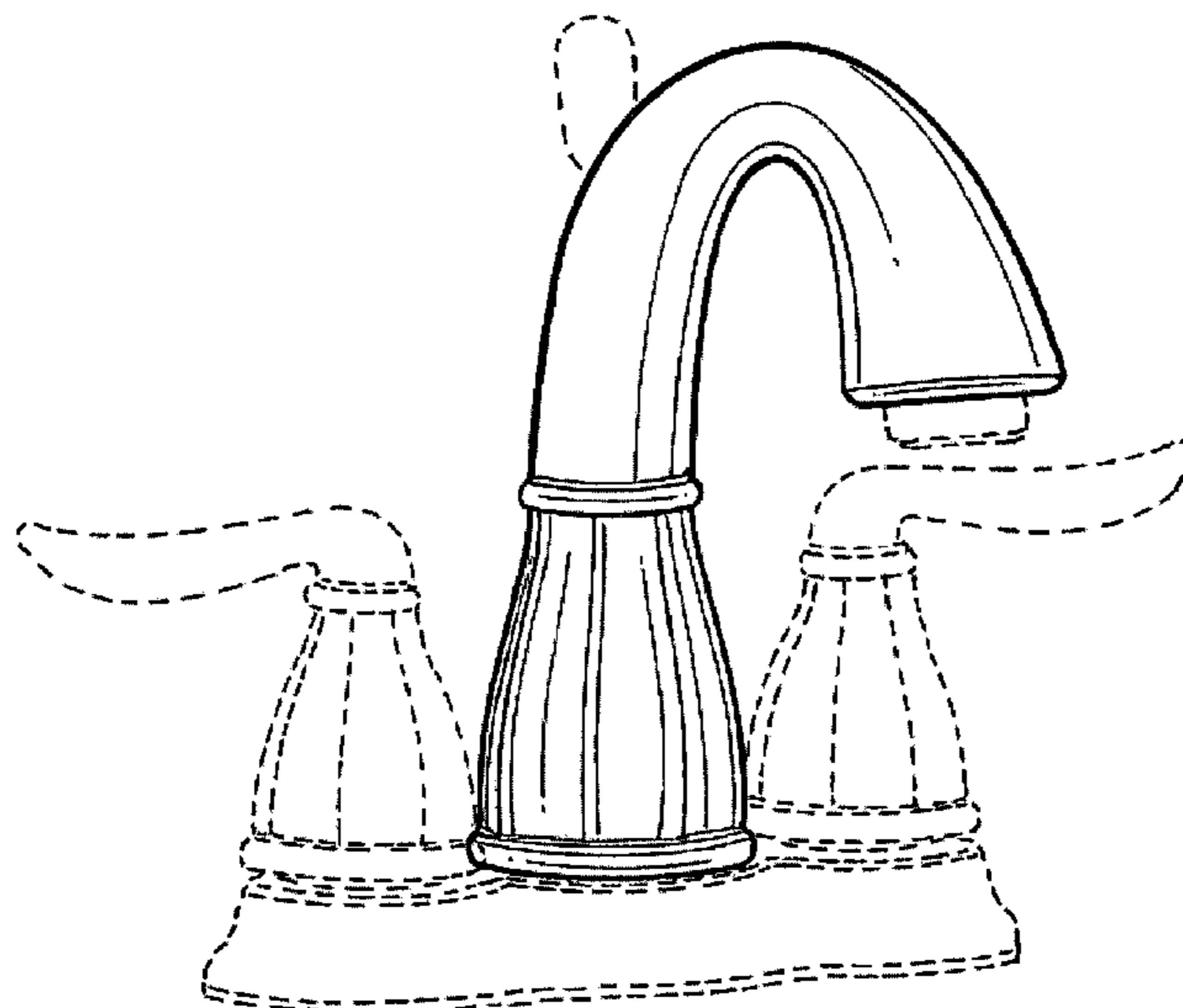
FIG. 5 is a bottom view thereof;

FIG. 6 is a right side view thereof; and,

FIG. 7 is a left side view thereof.

The broken lines in the Figures are for illustrative purposes only and form no part of the claimed design.

1 Claim, 6 Drawing Sheets



US D574,930 S

Page 2

U.S. PATENT DOCUMENTS

U.S. PATENT DOCUMENTS

D465,829 S	11/2002	Singtoroj	D510,980 S	10/2005	Fritz
D466,590 S	12/2002	Otero et al.	D511,560 S	11/2005	Kulig et al.
D466,980 S	12/2002	Pitsch et al.	D512,126 S	11/2005	Blomstrom
D466,981 S	12/2002	Cosolito et al.	D512,485 S	12/2005	Kulig
D469,505 S	1/2003	Marshall	D513,060 S	12/2005	Ouyoung
D469,511 S	1/2003	Marshall	D513,526 S	1/2006	Marshall
D469,513 S	1/2003	Marshall	D513,788 S	1/2006	Lindholm
D469,852 S	2/2003	Marshall	D515,669 S	2/2006	Ying-Hui et al.
D471,254 S	3/2003	Bonnell et al.	D516,177 S	2/2006	Ouyoung
D472,308 S	3/2003	Hundley	D516,681 S	3/2006	Gilbert
D472,607 S	4/2003	Washawsky et al.	D517,653 S	3/2006	Ito
D472,610 S	4/2003	Marshall	D518,149 S	3/2006	Spangler
D473,630 S	4/2003	Wettstein et al.	D518,151 S	3/2006	Ito
D475,125 S	5/2003	Marinov	D518,558 S	4/2006	Soriano
D477,053 S	7/2003	Schönherr et al.	D519,190 S	4/2006	Lord
D478,153 S	8/2003	Friedrich	D519,607 S	4/2006	Spangler
D479,312 S	9/2003	Yegyayan	D519,610 S	4/2006	Fritz
D486,563 S	2/2004	Hsieh	D519,611 S	4/2006	Fritz
D487,135 S	2/2004	Lord	D520,601 S	5/2006	Fritz
D487,798 S	3/2004	Bayer	D520,609 S	5/2006	Spangler
D487,922 S	3/2004	Lord	D521,109 S	5/2006	Lord
D488,210 S	4/2004	Lord	D521,112 S	5/2006	Fritz
D492,391 S	6/2004	Herbeau	D521,121 S *	5/2006	Fritz D23/255
6,757,921 B2	7/2004	Esche	D521,602 S	5/2006	En-Min et al.
D493,867 S	8/2004	Shahar	D523,535 S	6/2006	Fritz
D503,777 S	4/2005	Costello et al.	D525,348 S	7/2006	Schaffeld et al.
6,877,172 B2	4/2005	Malek et al.	D525,682 S	7/2006	Gilbert
D508,975 S	8/2005	Painter et al.	D526,391 S	8/2006	Schaffeld et al.
D510,126 S	9/2005	Ouyoung	D527,080 S	8/2006	Schaffeld et al.
D510,416 S	10/2005	Fritz	D535,366 S	1/2007	Sedwick
D510,977 S	10/2005	Jones	D549,305 S *	8/2007	Sedwick D23/255
			2004/0088786 A1	5/2004	Malek et al.
			2005/0098221 A1	5/2005	Mascari et al.

* cited by examiner

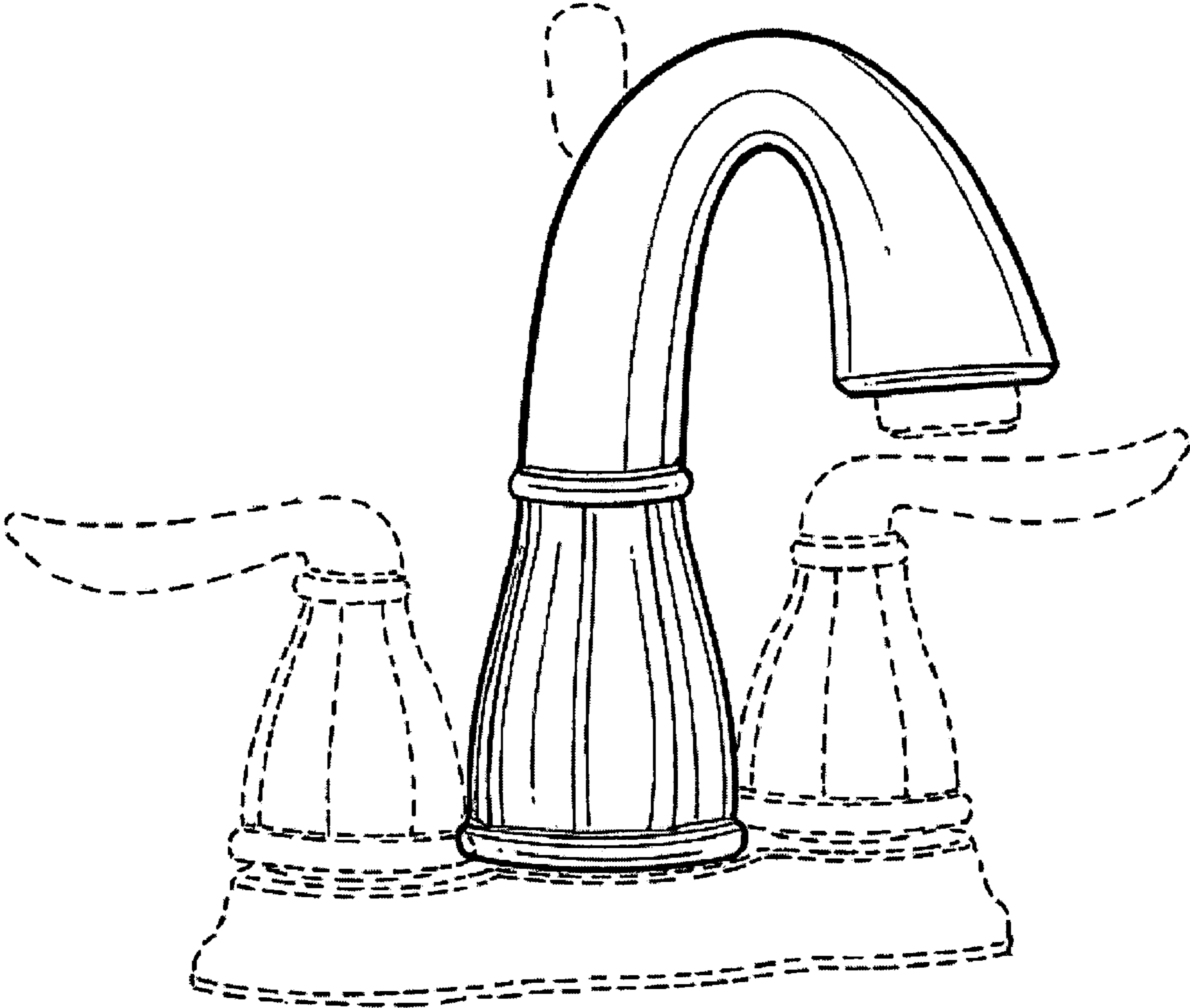


Fig. 1

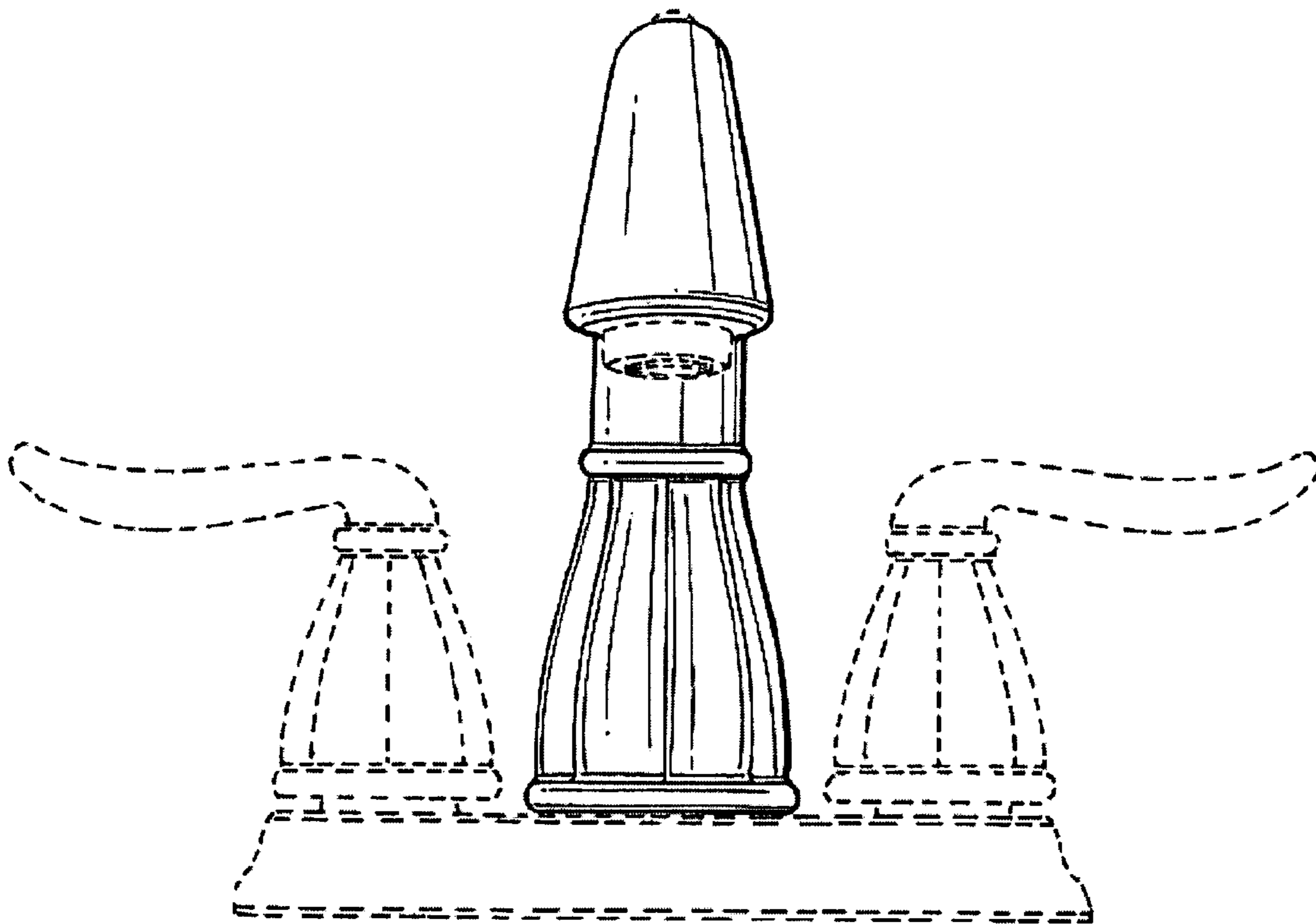


Fig.2

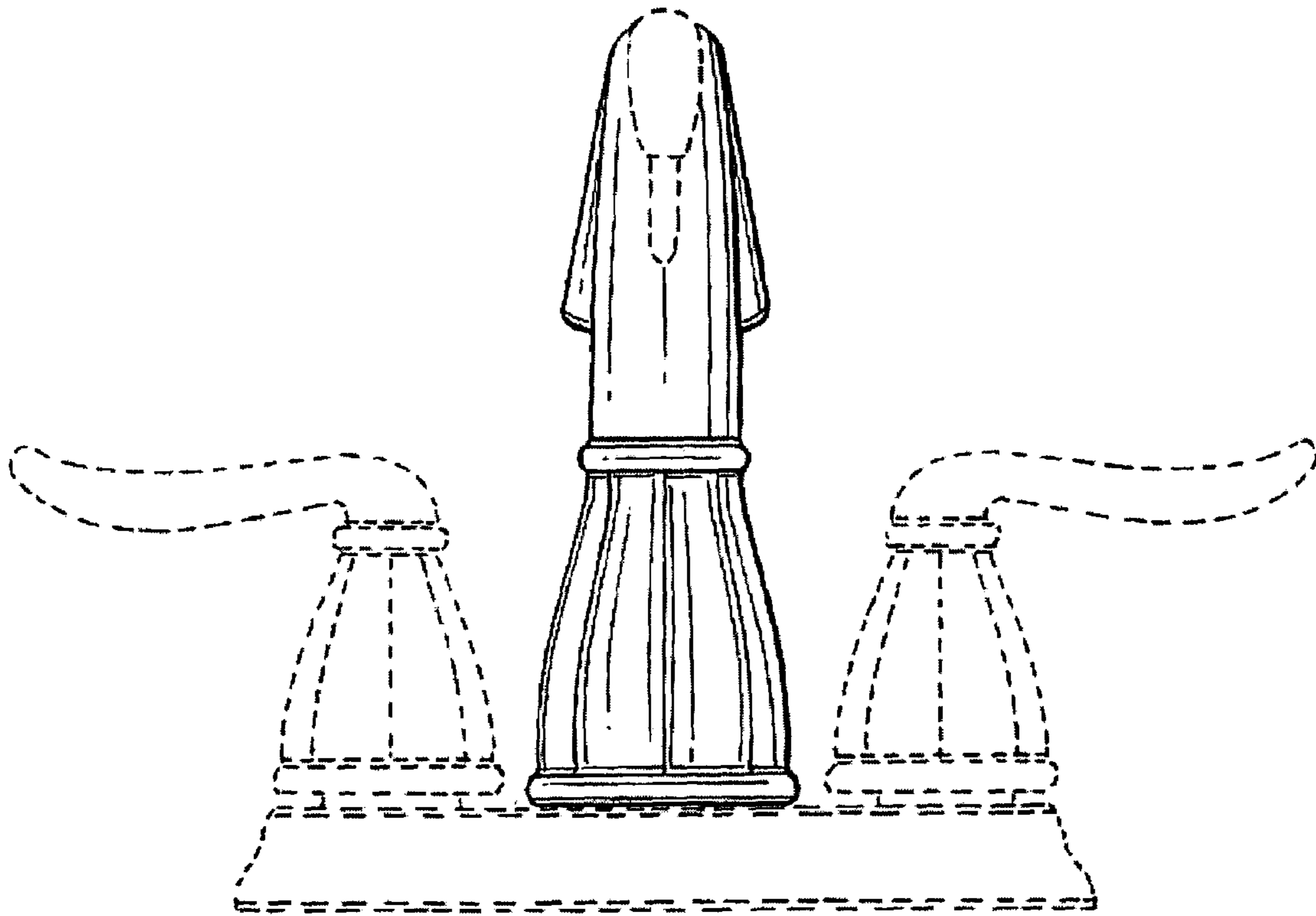


Fig. 3

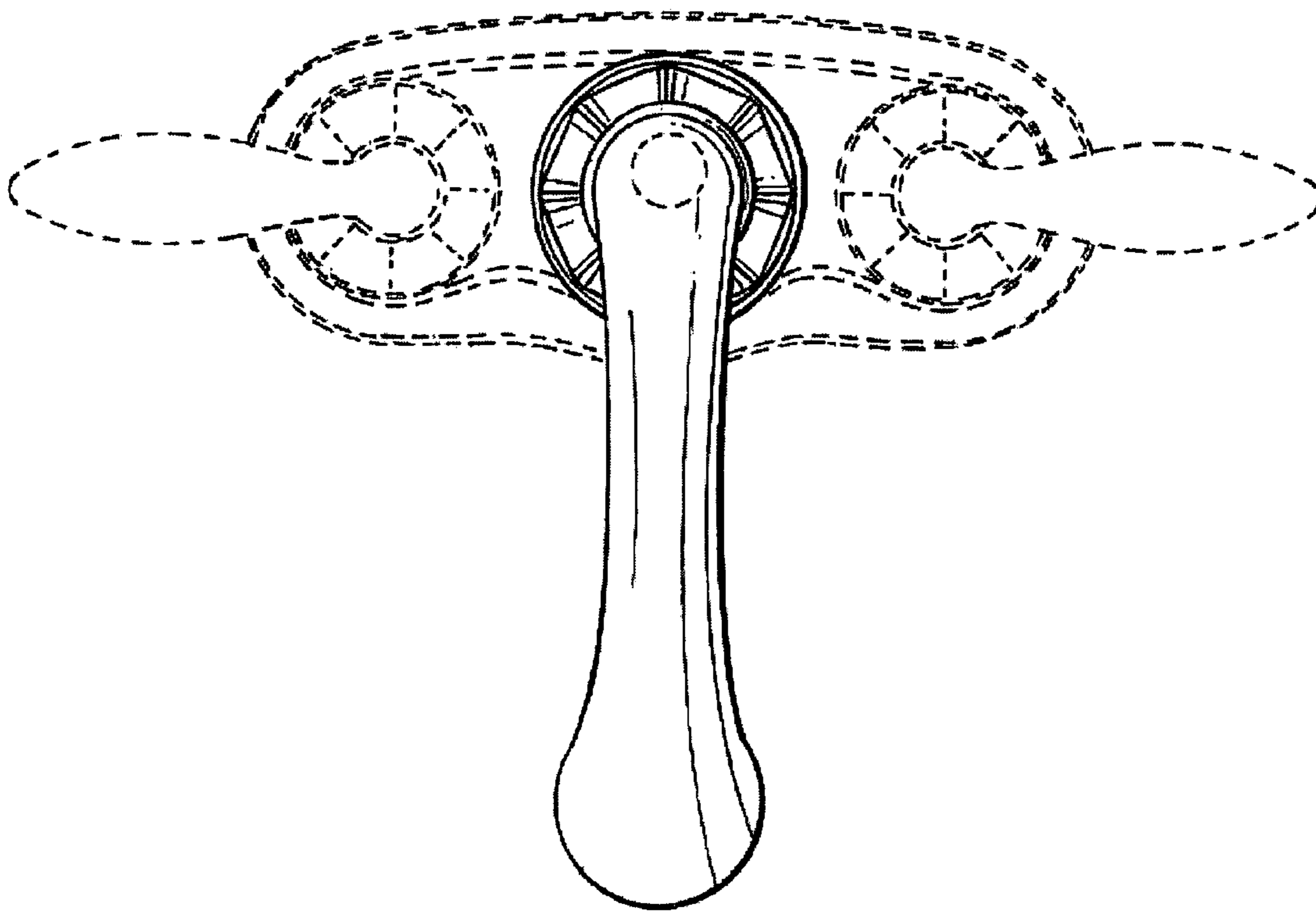


Fig. 4

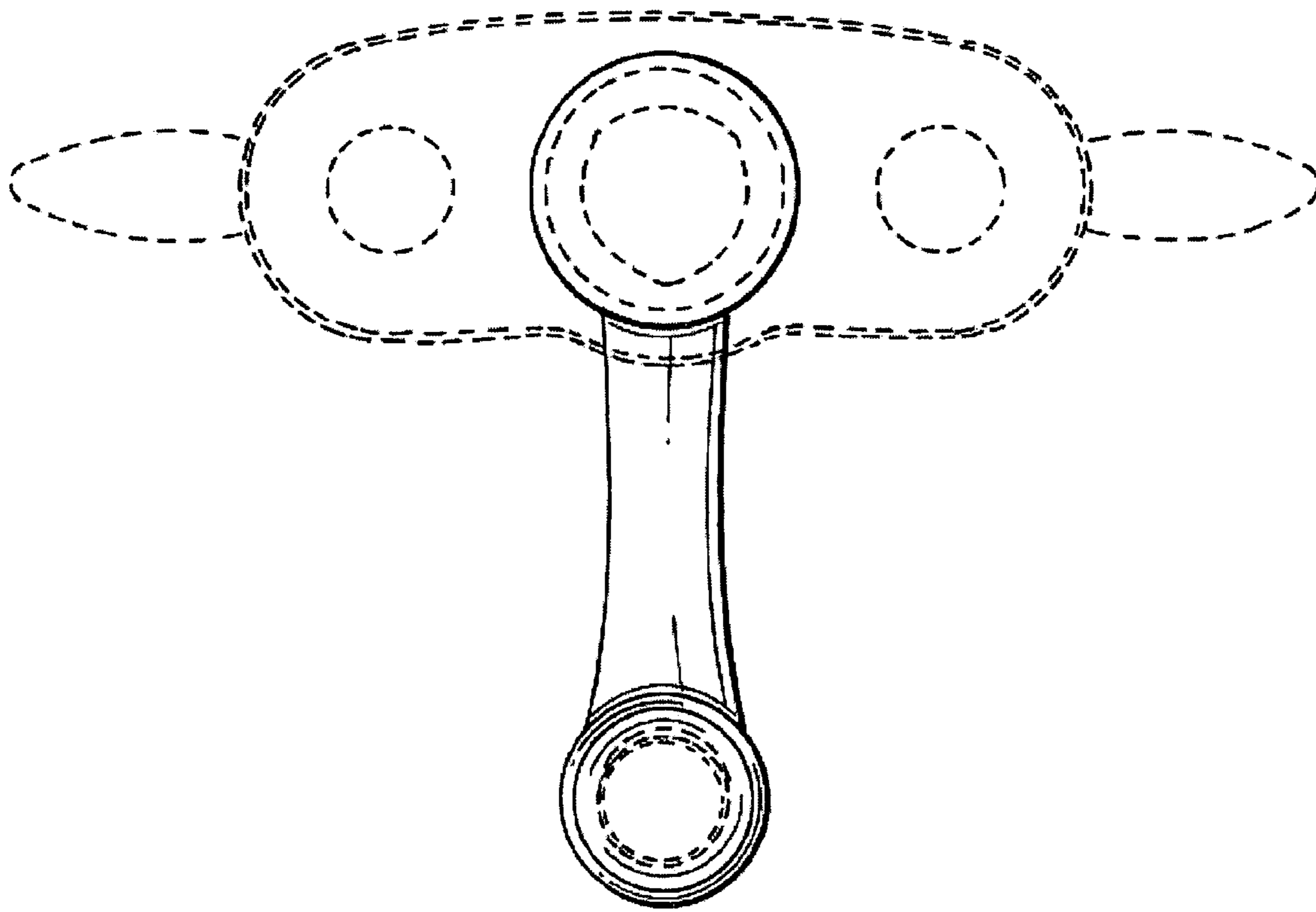


Fig. 5

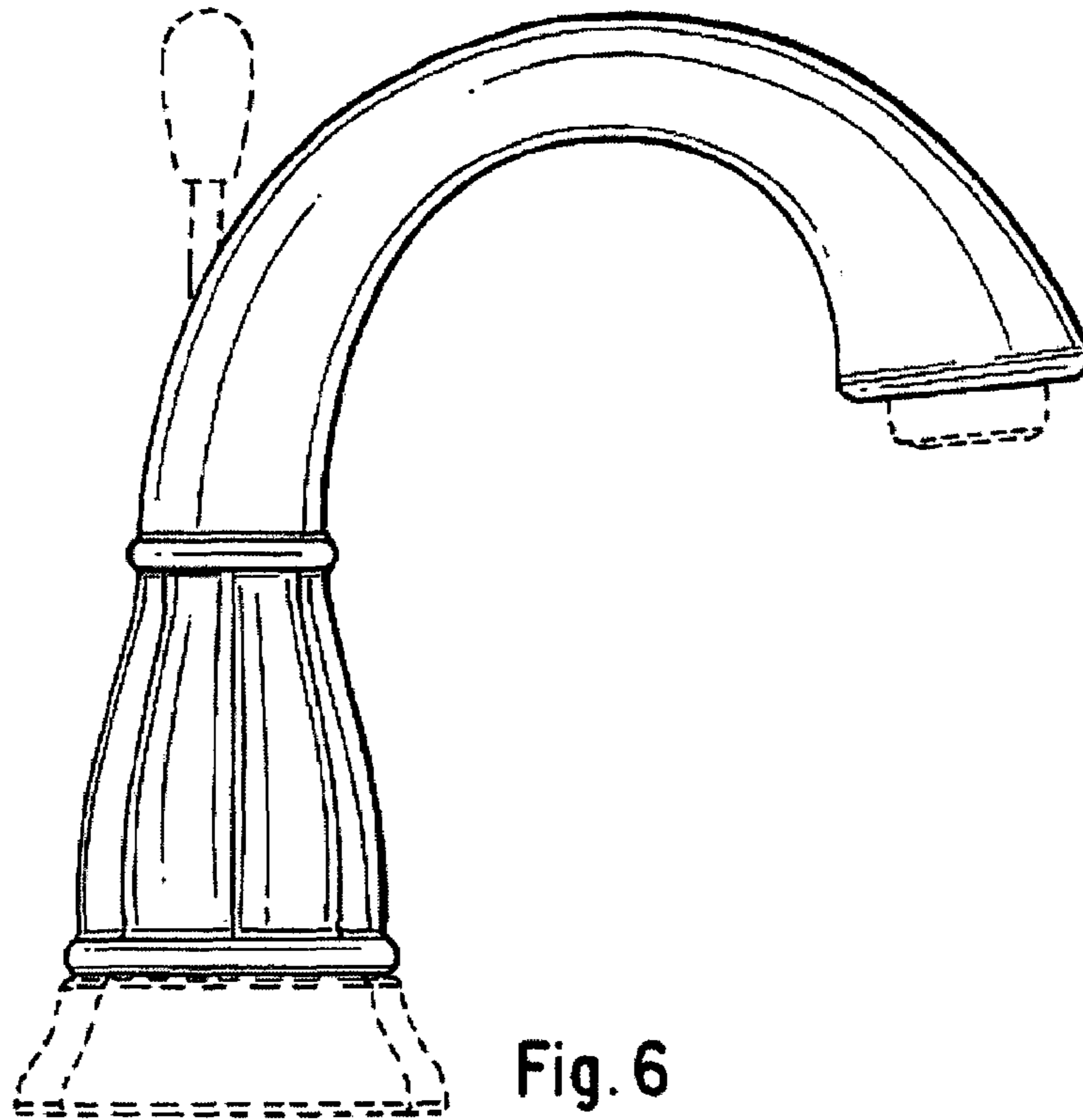


Fig. 6

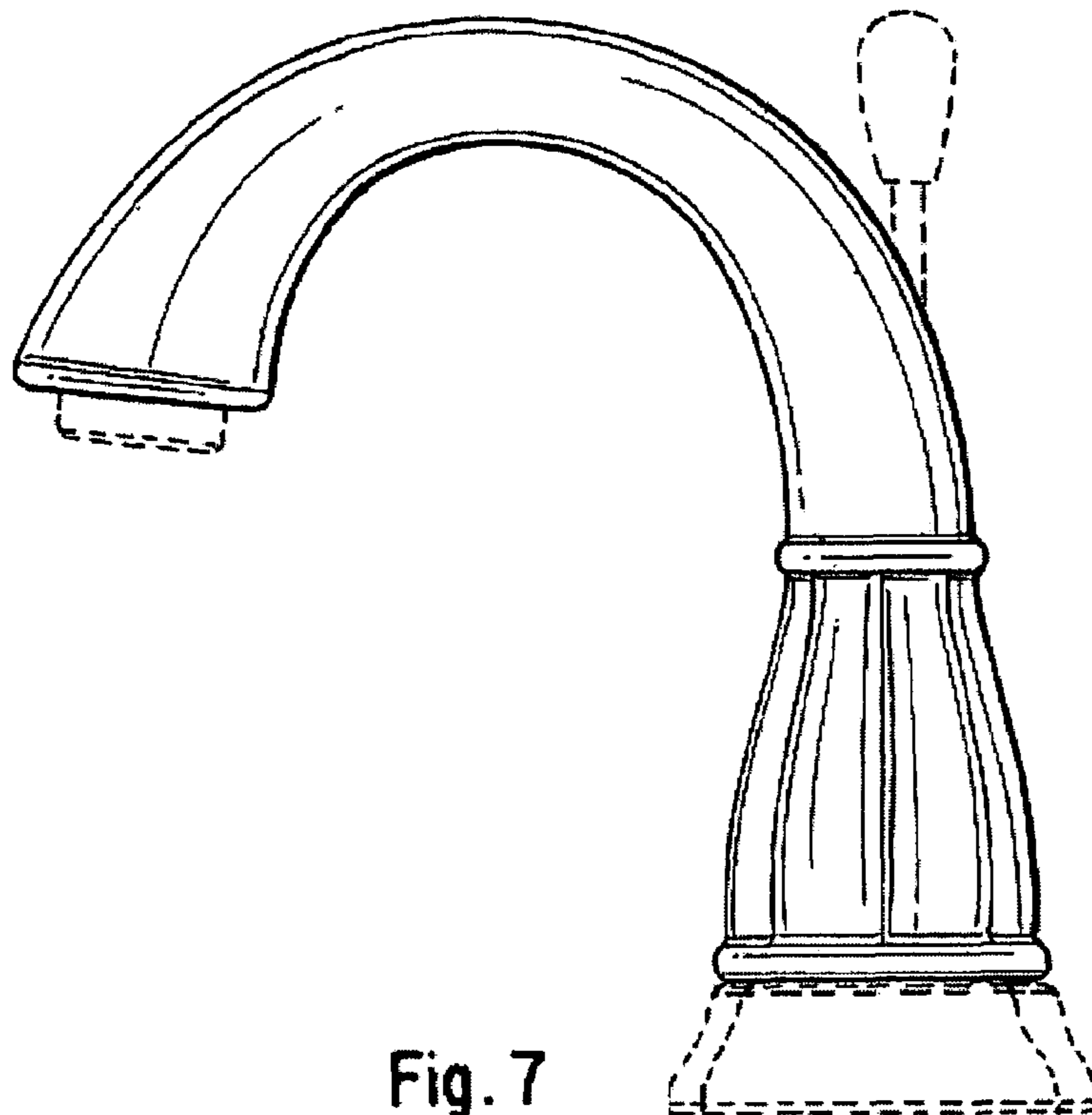


Fig. 7