



US00D574929S

(12) **United States Design Patent**
Causby et al.

(10) **Patent No.:** **US D574,929 S**

(45) **Date of Patent:** **** Aug. 12, 2008**

(54) **SHUT-OFF ADAPTOR FOR A WATERING SYSTEM**

(75) Inventors: **Lyll Causby**, Mile End (AU); **Robert Sigston**, Mile End (AU); **David Bevan Creed**, Mile End (AU)

(73) Assignee: **Antelco Pty Ltd.**, Murray Bridge, South Australia (AU)

(**) Term: **14 Years**

(21) Appl. No.: **29/286,274**

(22) Filed: **Apr. 30, 2007**

(30) **Foreign Application Priority Data**

Nov. 1, 2006 (AU) 312051

(51) **LOC (8) Cl.** **23-01**

(52) **U.S. Cl.** **D23/249**

(58) **Field of Classification Search** D23/249,
D23/233, 234, 241, 245, 248, 247, 250; 251/309,
251/310, 315, 315.14, 335.5; 137/170-174,
137/219, 625.22

See application file for complete search history.

(56) **References Cited**

U.S. PATENT DOCUMENTS

D183,042 S * 6/1958 Fuglie et al. D23/245

D354,440 S * 1/1995 Nye D9/449

D497,976 S * 11/2004 Goetz et al. D23/245

D505,184 S * 5/2005 Trappa D23/245

D541,378 S * 4/2007 Sinvani D23/233

D542,382 S * 5/2007 Cook et al. D23/233

* cited by examiner

Primary Examiner—Stella M. Reid

Assistant Examiner—Carissa C Fitts

(74) *Attorney, Agent, or Firm*—Olson & Cepuritis, Ltd.

(57) **CLAIM**

The ornamental design for a shut-off adaptor for a watering system, substantially as shown and described.

DESCRIPTION

FIG. 1 is a perspective view of a shut-off adaptor for a watering system showing our new design;

FIG. 2 is a top view thereof;

FIG. 3 is a bottom view thereof;

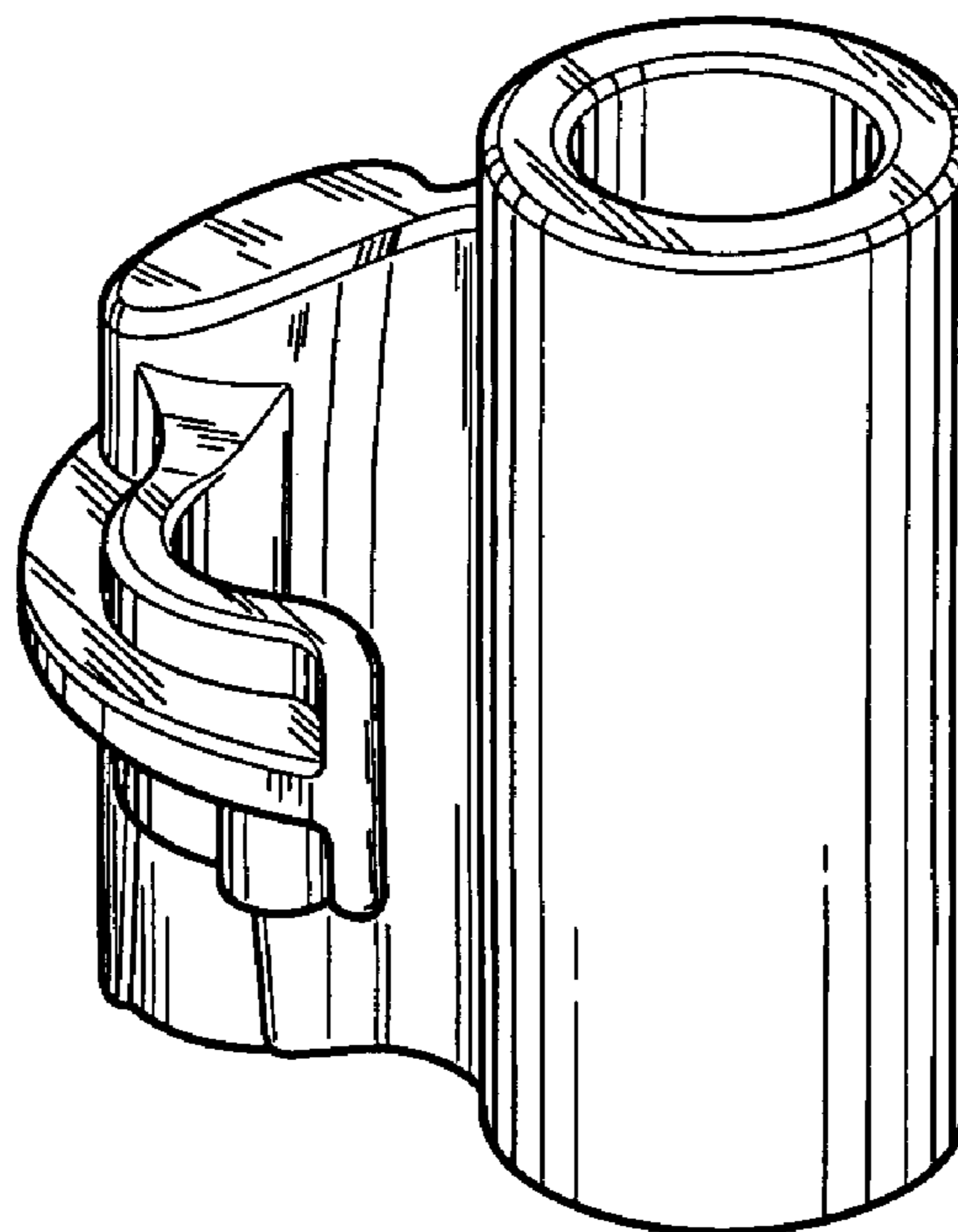
FIG. 4 is a left side view thereof;

FIG. 5 is a front view thereof;

FIG. 6 is a right side view thereof; and,

FIG. 7 is a rear view thereof.

1 Claim, 1 Drawing Sheet



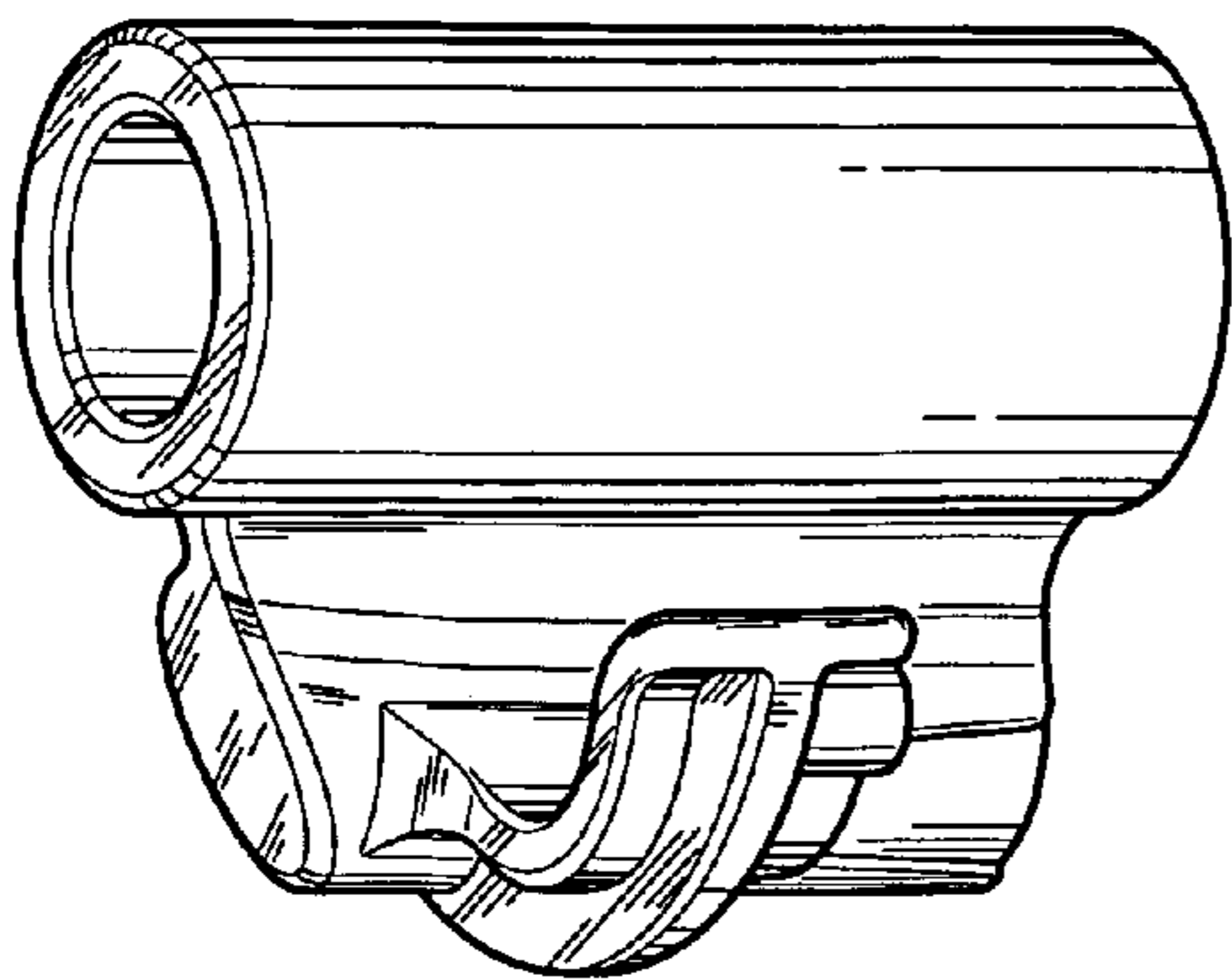


Fig 1

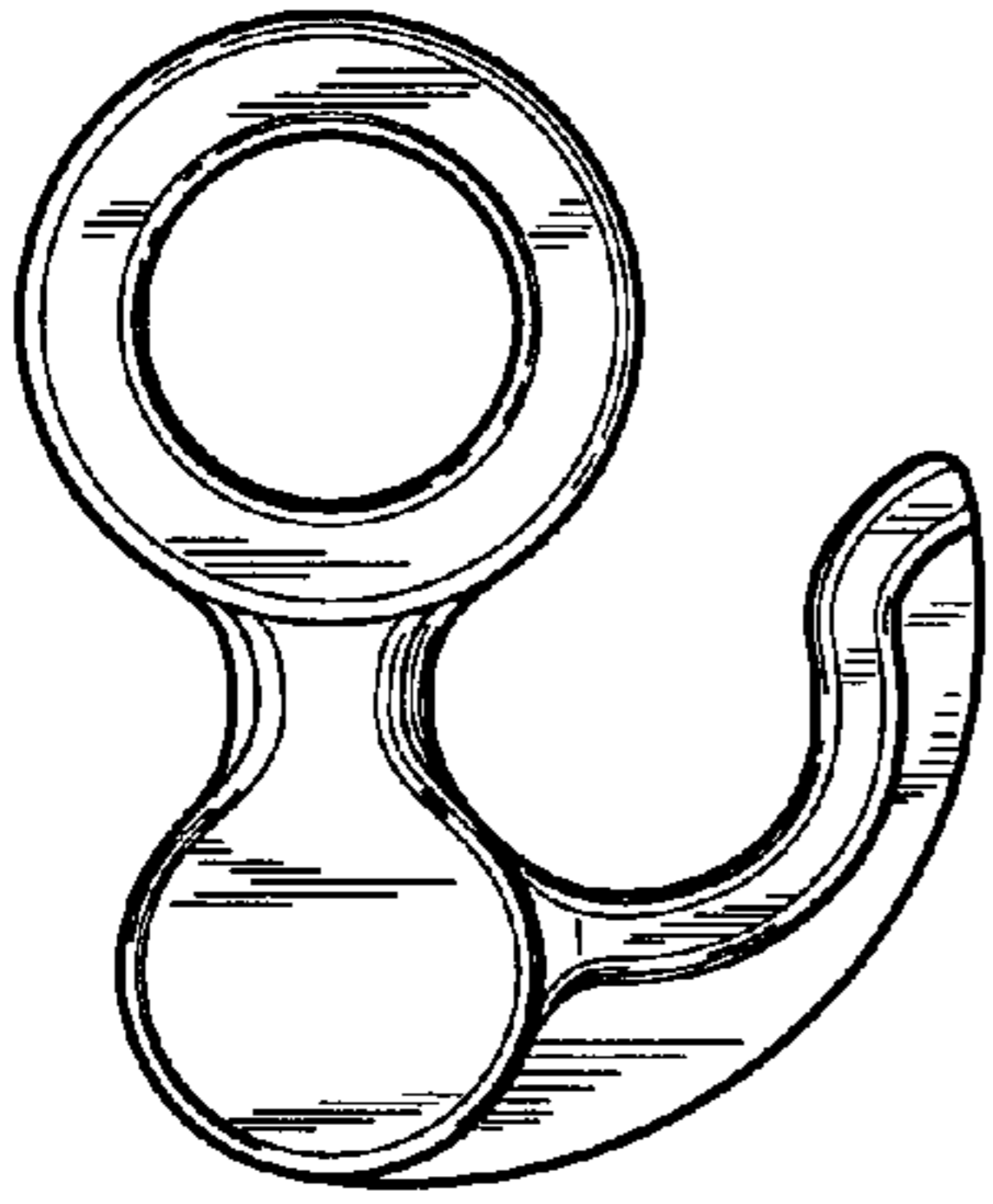


Fig 2

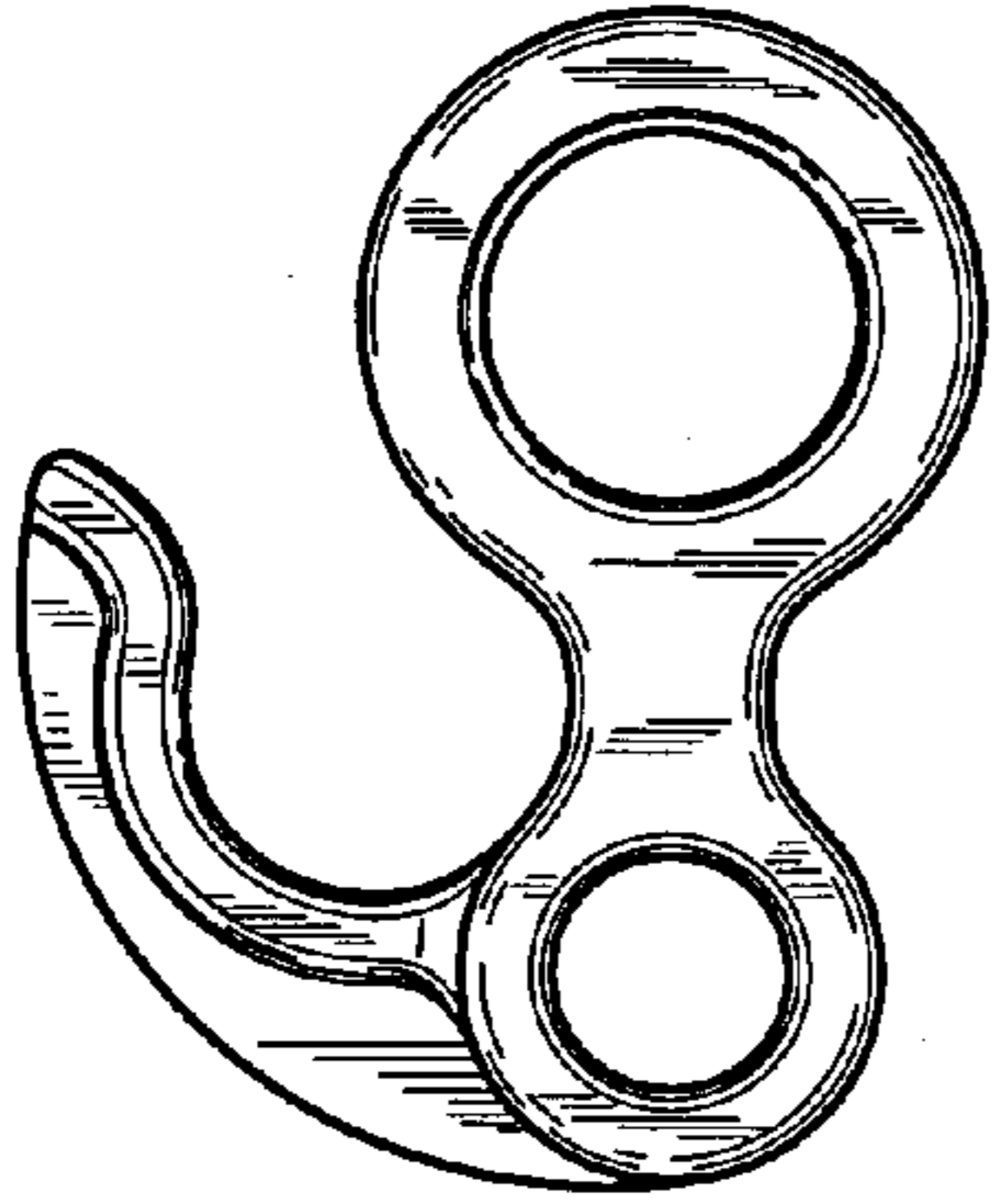


Fig 3

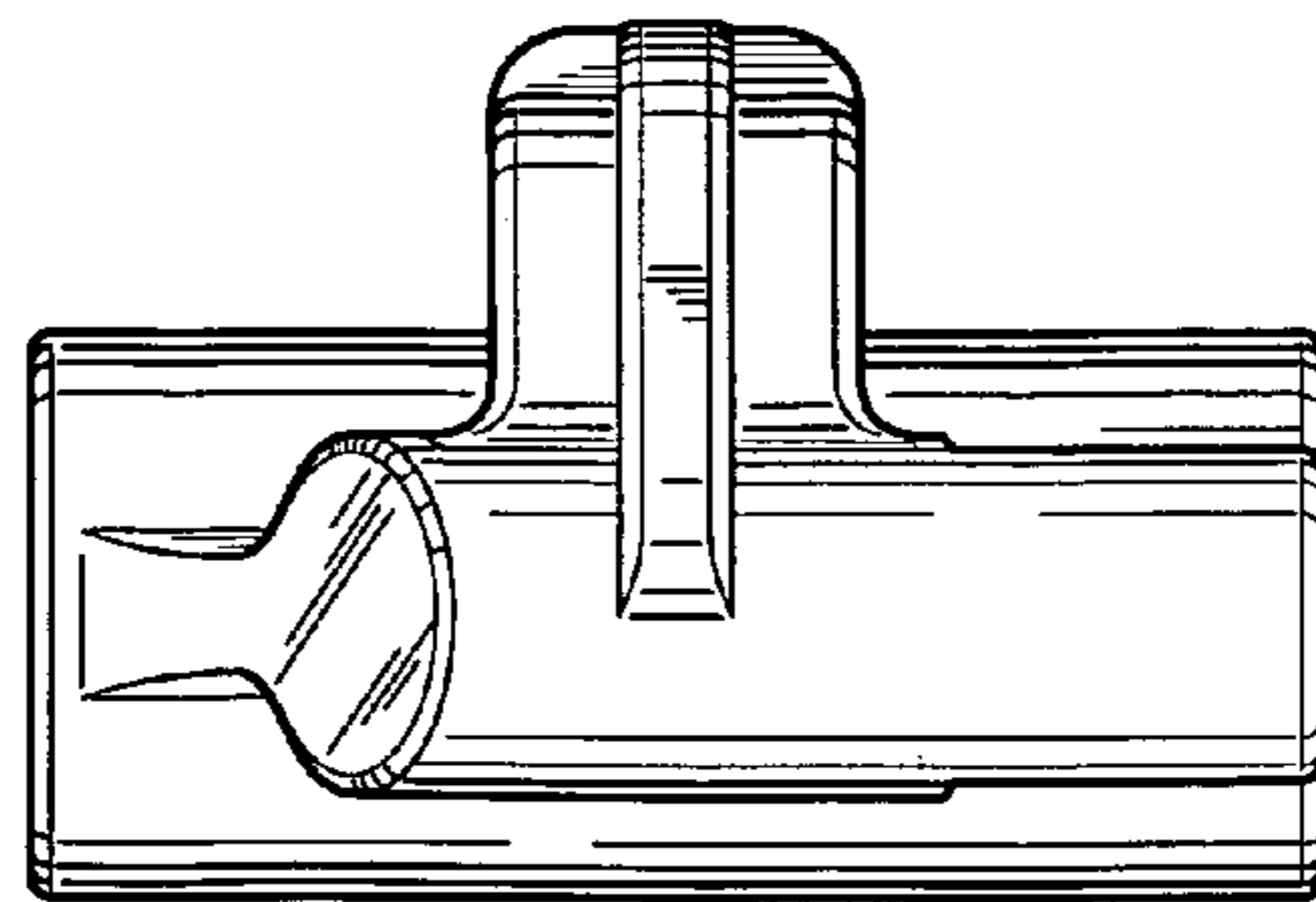


Fig 4

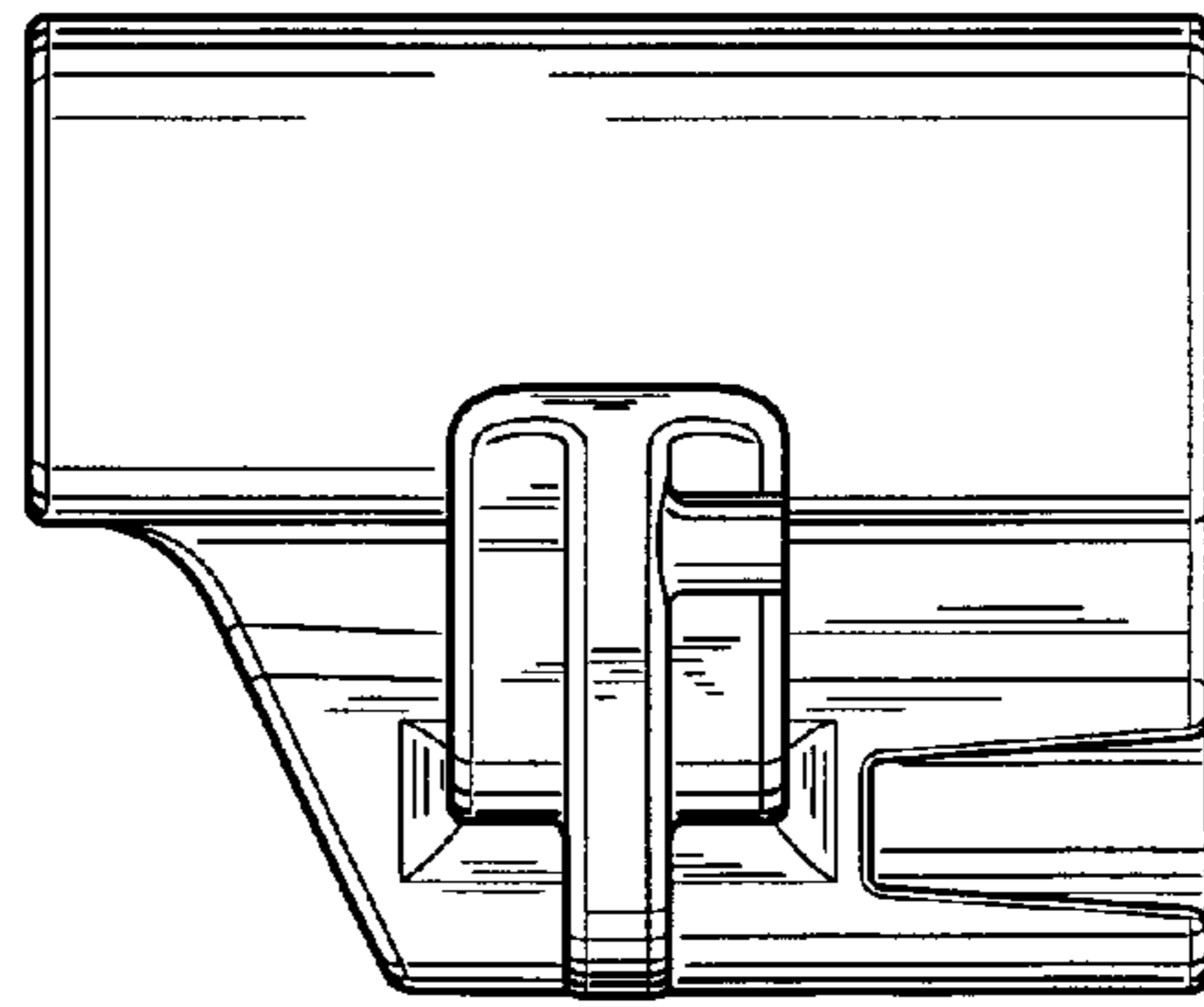


Fig 5

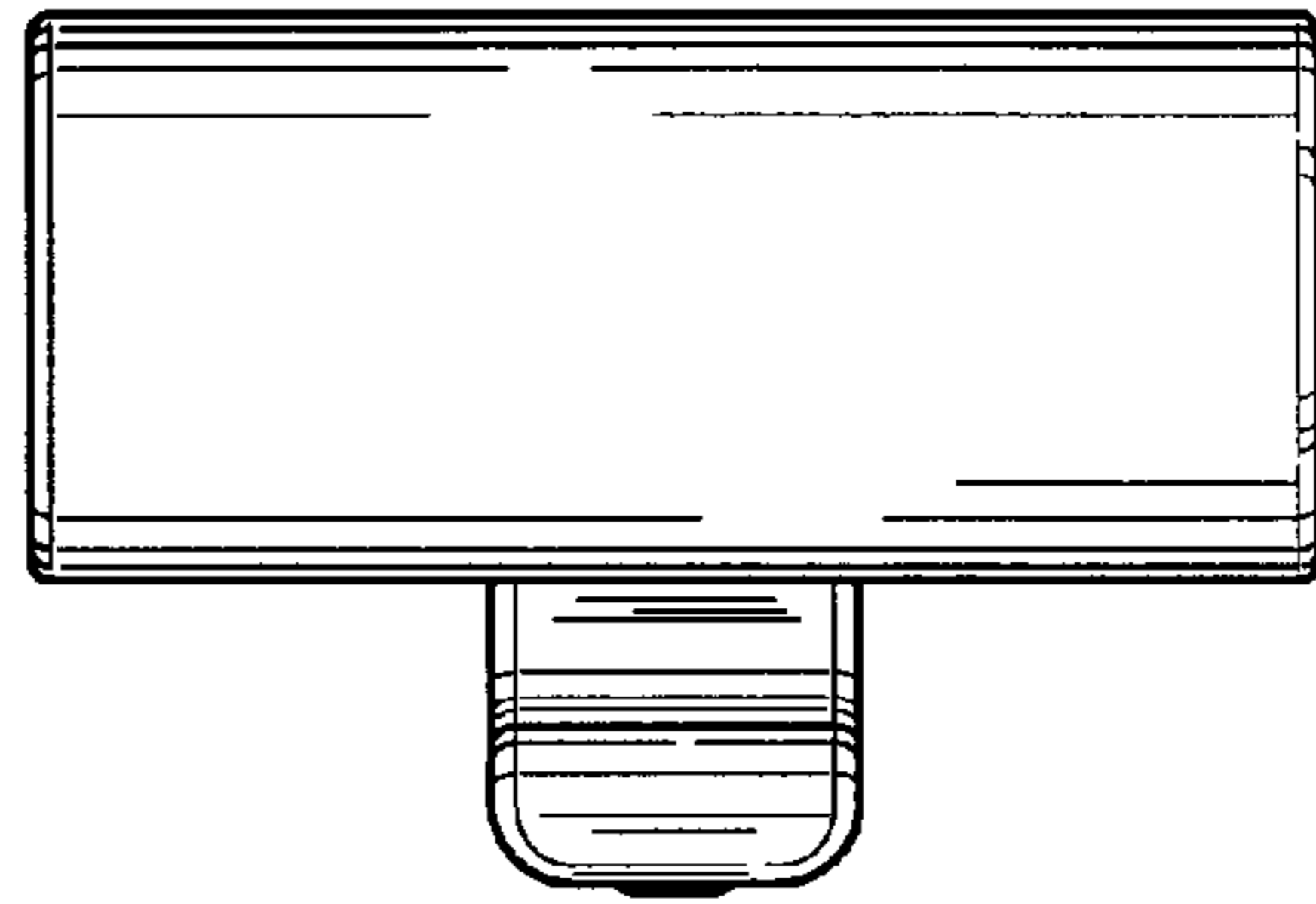


Fig 6

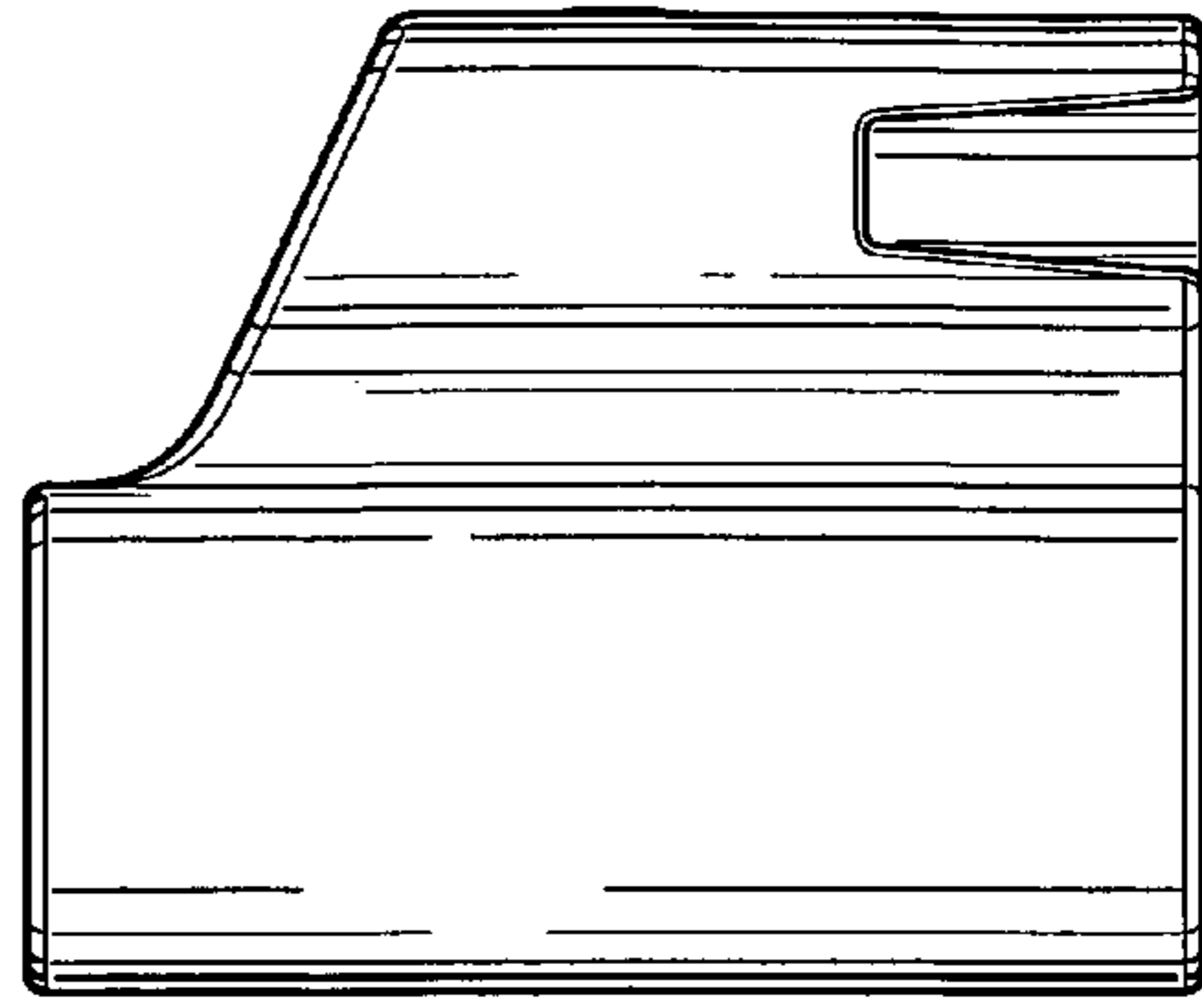


Fig 7