



US00D574928S

(12) **United States Design Patent**  
**Huang**

(10) **Patent No.:** **US D574,928 S**  
(45) **Date of Patent:** **\*\* Aug. 12, 2008**

(54) **SPRAY GUN BODY**

D551,321 S \* 9/2007 Huang ..... D23/226  
D552,213 S \* 10/2007 Schmon et al. .... D23/226  
D552,715 S \* 10/2007 Schmon et al. .... D23/226

(75) Inventor: **Tiao-Hsiang Huang**, Taipei Hsien (TW)

(73) Assignee: **Kuan Chang Co., Ltd**, Taipei County (TW)

\* cited by examiner

*Primary Examiner*—Robin V Webster  
(74) *Attorney, Agent, or Firm*—WPAT, P.C.

(\*\*) Term: **14 Years**

(21) Appl. No.: **29/298,317**

(57) **CLAIM**

(22) Filed: **Dec. 3, 2007**

I claim, the ornamental design for a spray gun body, as shown and described.

(51) **LOC (8) Cl.** ..... **23-01**

(52) **U.S. Cl.** ..... **D23/226**

(58) **Field of Classification Search** ..... D23/213,  
D23/223, 226; 361/227–228; 239/525–526,  
239/291, 296, 340, 600, 690, 302  
See application file for complete search history.

**DESCRIPTION**

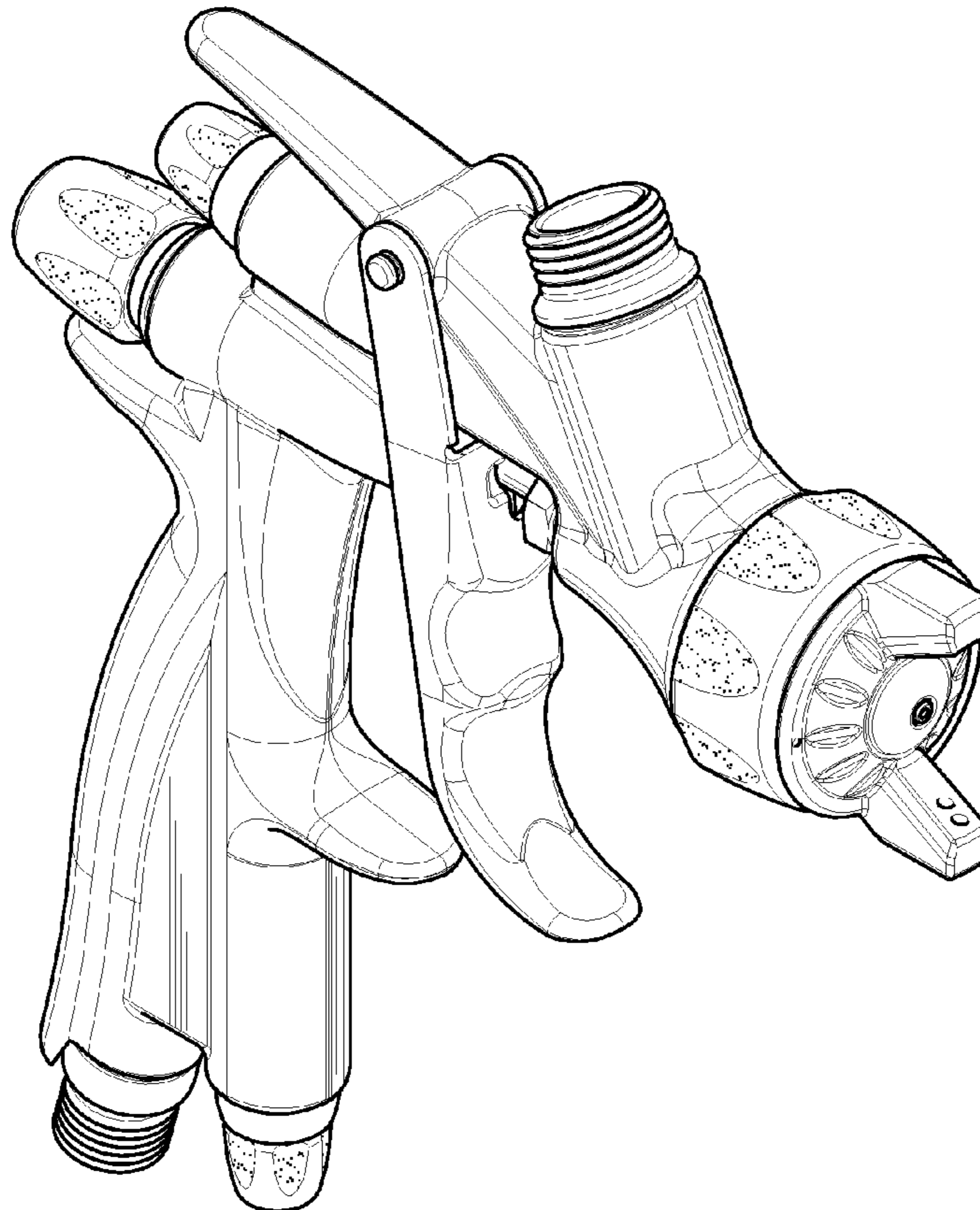
FIG. 1 is a perspective view of a spray gun body showing my present design;  
FIG. 2 is a front view thereof;  
FIG. 3 is a rear view thereof;  
FIG. 4 is a left view thereof;  
FIG. 5 is a right view thereof;  
FIG. 6 is a top plan view thereof; and,  
FIG. 7 is a bottom plan view.

(56) **References Cited**

**U.S. PATENT DOCUMENTS**

4,462,061 A \* 7/1984 Mommsen ..... 361/227  
D405,503 S \* 2/1999 Endo ..... D23/226  
D448,451 S \* 9/2001 Turnbull et al. .... D23/226  
D523,111 S \* 6/2006 Huang ..... D23/226  
D538,887 S \* 3/2007 Huang ..... D23/226

**1 Claim, 7 Drawing Sheets**



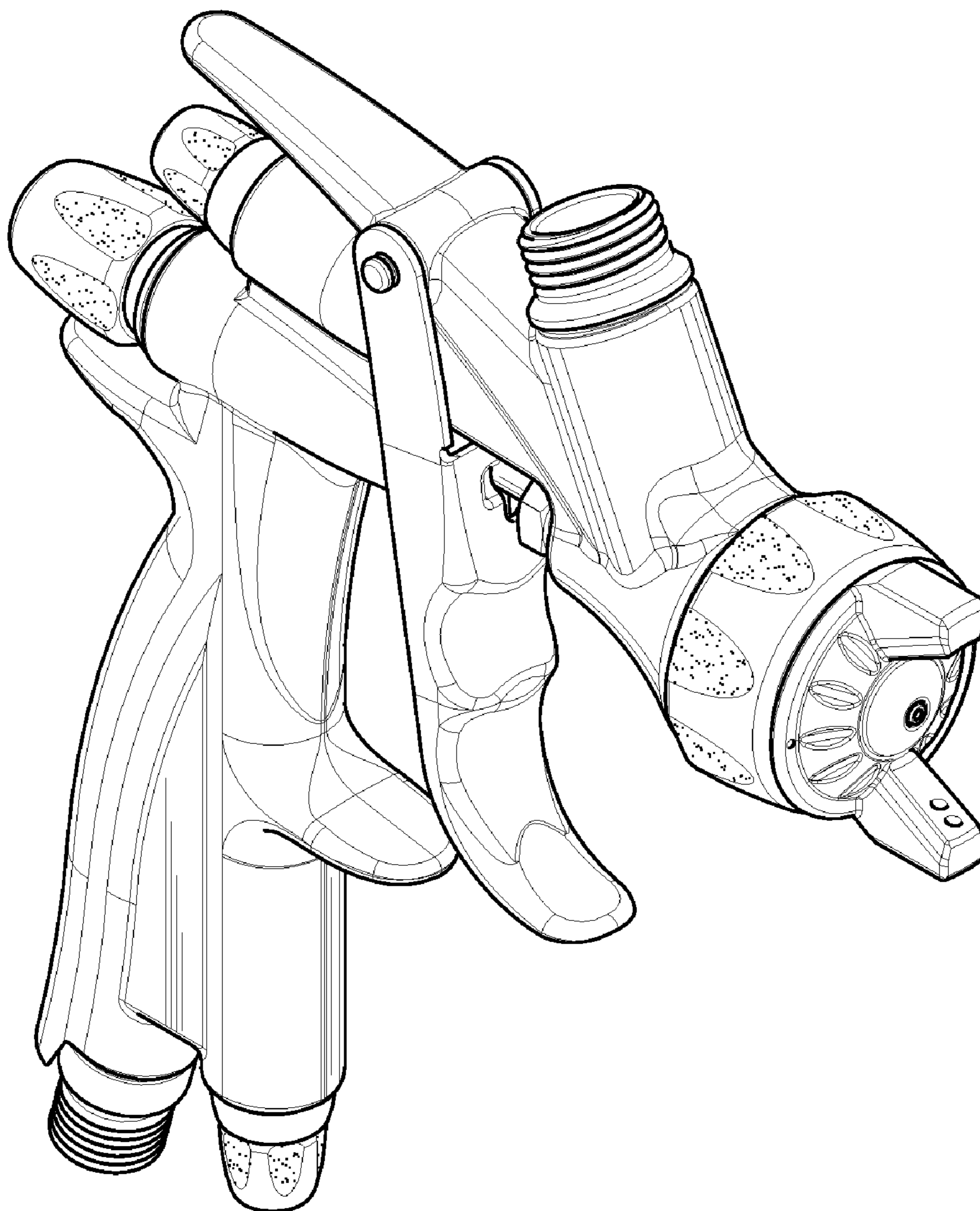


FIG. 1

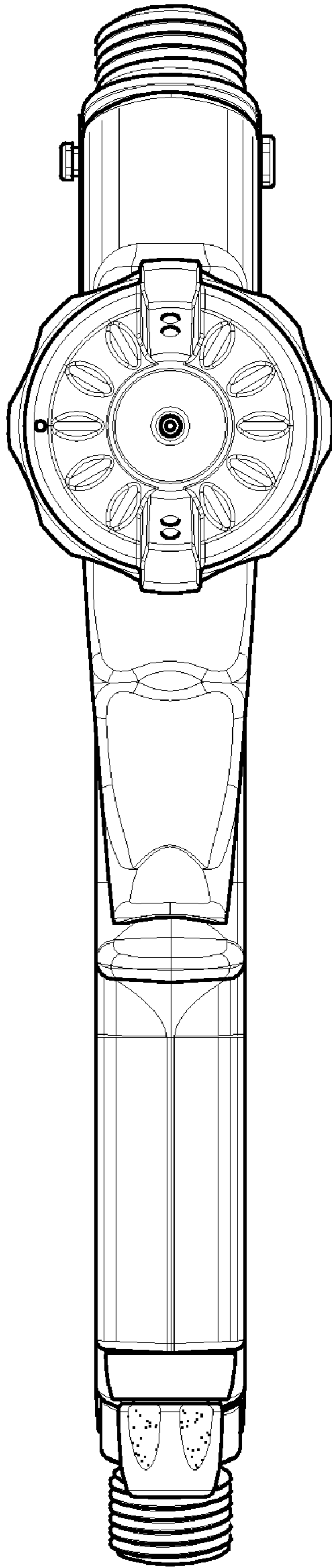


FIG. 2

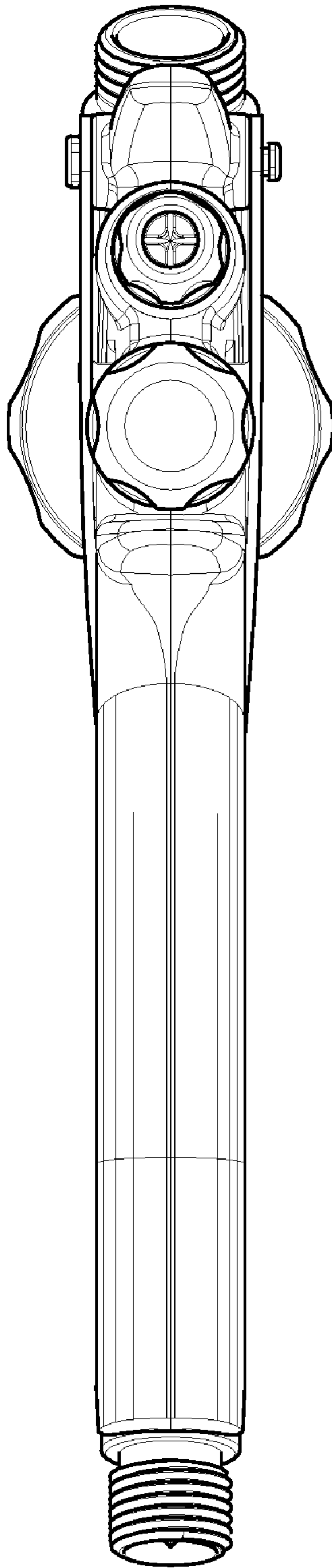


FIG. 3

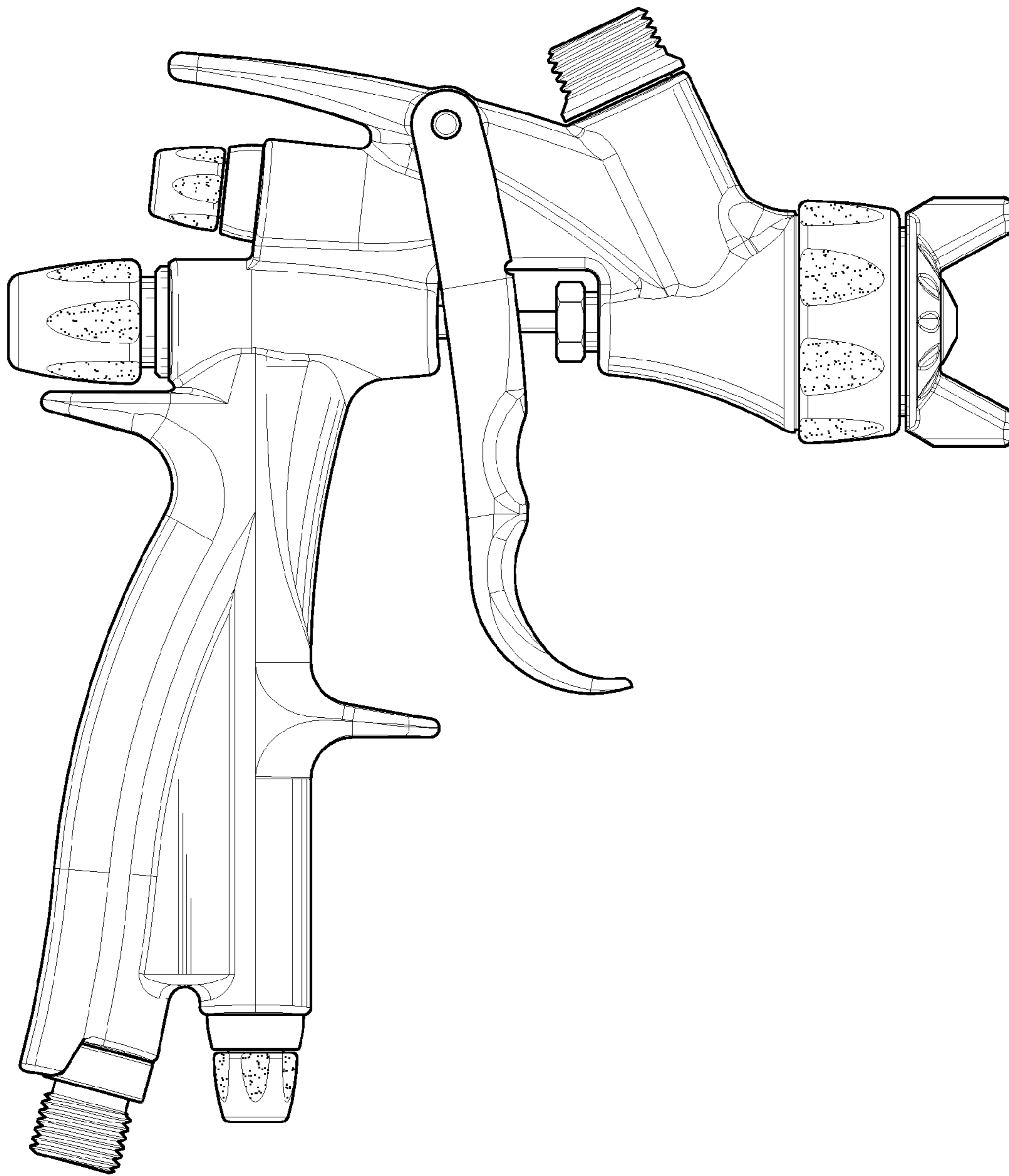


FIG. 4

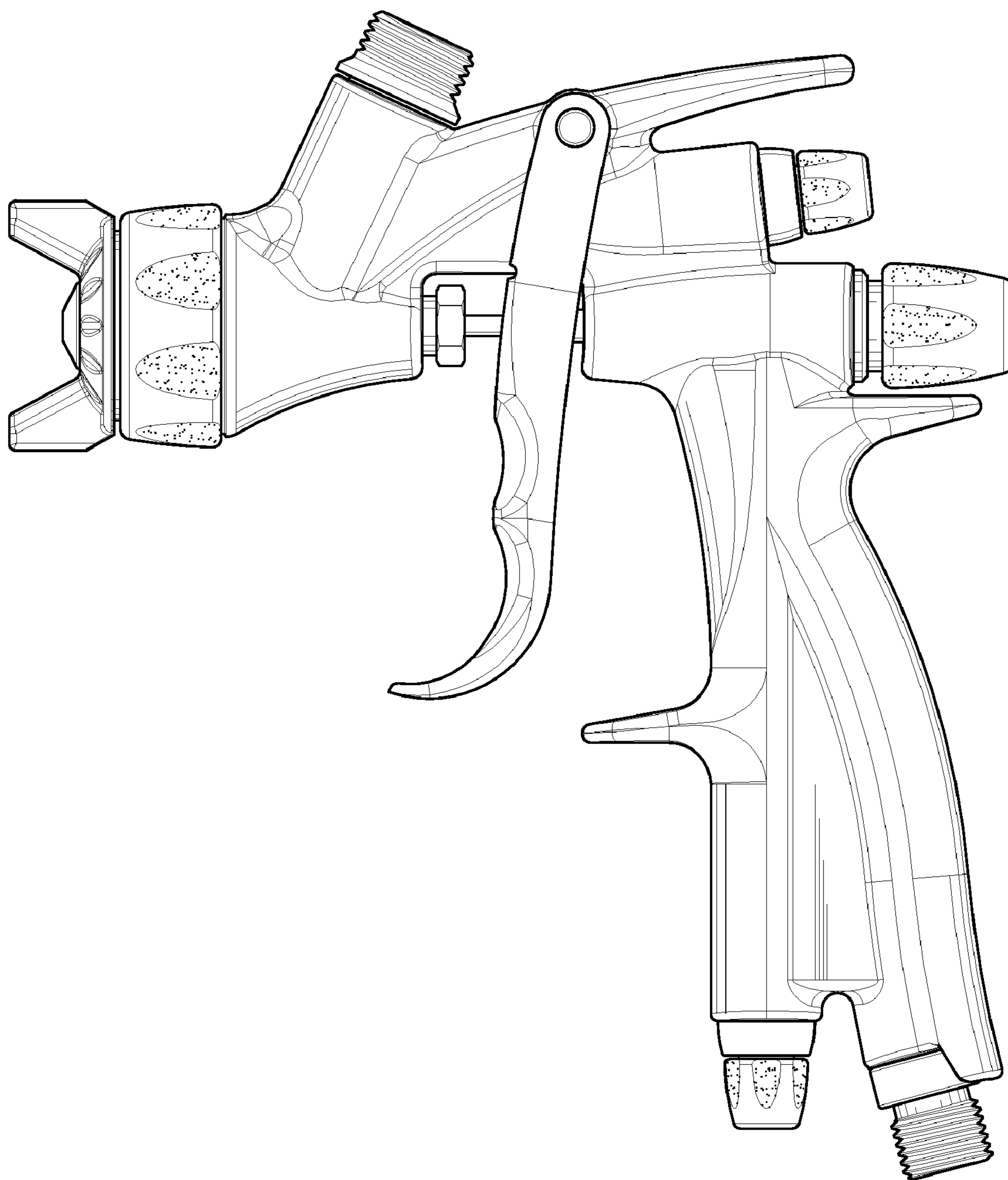


FIG. 5

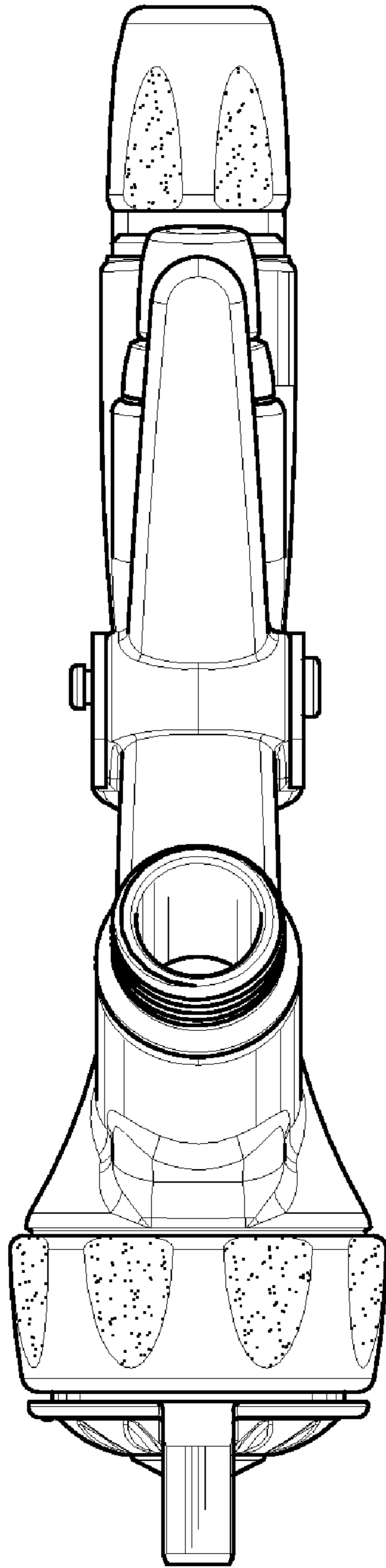


FIG. 6

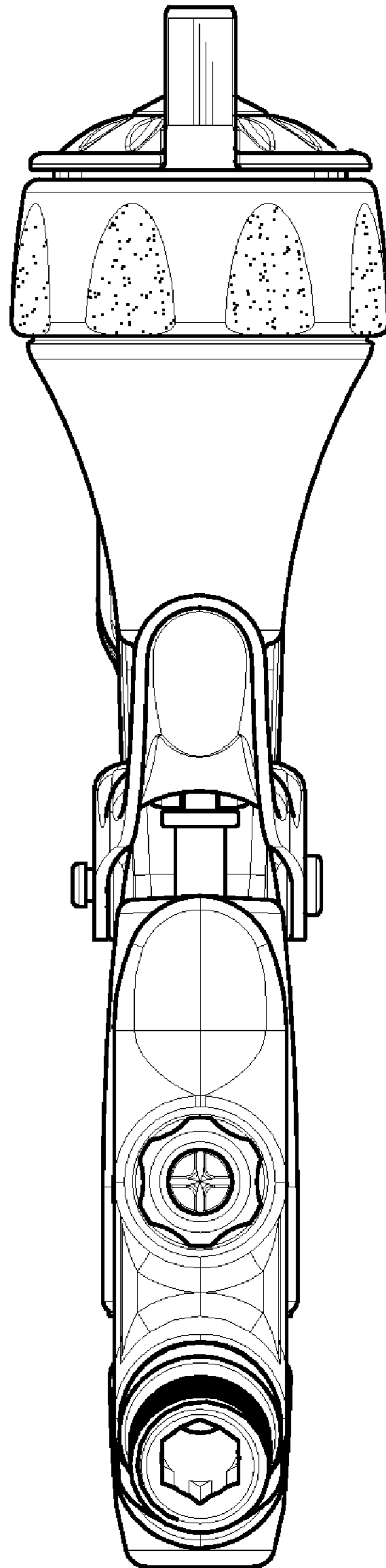


FIG. 7