



US00D574926S

(12) **United States Design Patent**
Huang

(10) **Patent No.:** **US D574,926 S**

(45) **Date of Patent:** **** Aug. 12, 2008**

- (54) **PAINT CUP FOR A SPRAY GUN**
- (75) Inventor: **Tiao-Hsiang Huang**, Taipei Hsien (TW)
- (73) Assignee: **Kuan Chang Co., Ltd**, Taipei County (TW)
- (**) Term: **14 Years**
- (21) Appl. No.: **29/298,248**
- (22) Filed: **Nov. 30, 2007**

7,175,110 B2 * 2/2007 Vicentini 239/526
 7,188,785 B2 * 3/2007 Joseph et al. 239/302
 7,216,813 B2 * 5/2007 Rogers 239/74
 D554,741 S * 11/2007 Peterson et al. D23/225

* cited by examiner

Primary Examiner—Robin V Webster
(74) *Attorney, Agent, or Firm*—WPAT, P.C.

- (51) **LOC (8) Cl.** **23-01**
 - (52) **U.S. Cl.** **D23/225**
 - (58) **Field of Classification Search** D23/213,
D23/226; 361/227–228; 239/291, 296, 340,
239/600, 690, 302
- See application file for complete search history.

(56) **References Cited**

U.S. PATENT DOCUMENTS

D220,179 S * 3/1971 Farnsteiner D23/225
 5,054,687 A * 10/1991 Burns et al. 239/373
 D346,851 S * 5/1994 Howe D23/225
 5,533,674 A * 7/1996 Feyrer et al. 239/288.5
 D474,528 S * 5/2003 Huang D23/225

(57) **CLAIM**

I claim, the ornamental design for a paint cup for a spray gun, as shown and described.

DESCRIPTION

FIG. 1 is a perspective view of a paint cup for a spray gun showing my present design;
 FIG. 2 is a front view thereof;
 FIG. 3 is a rear view thereof;
 FIG. 4 is a left view thereof;
 FIG. 5 is a right view thereof;
 FIG. 6 is a top plan view thereof; and,
 FIG. 7 is a bottom plan view.

1 Claim, 6 Drawing Sheets

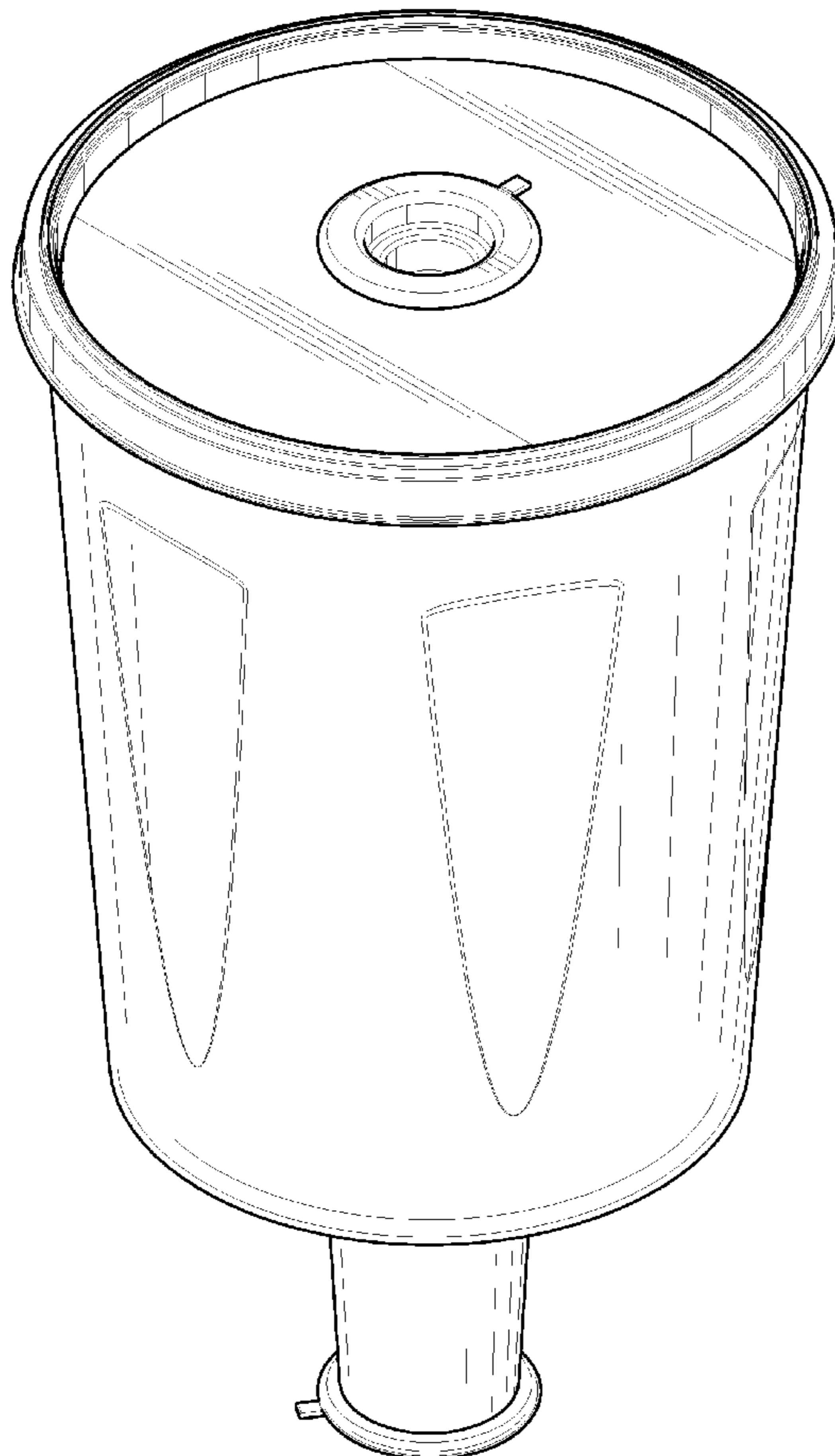




FIG. 1

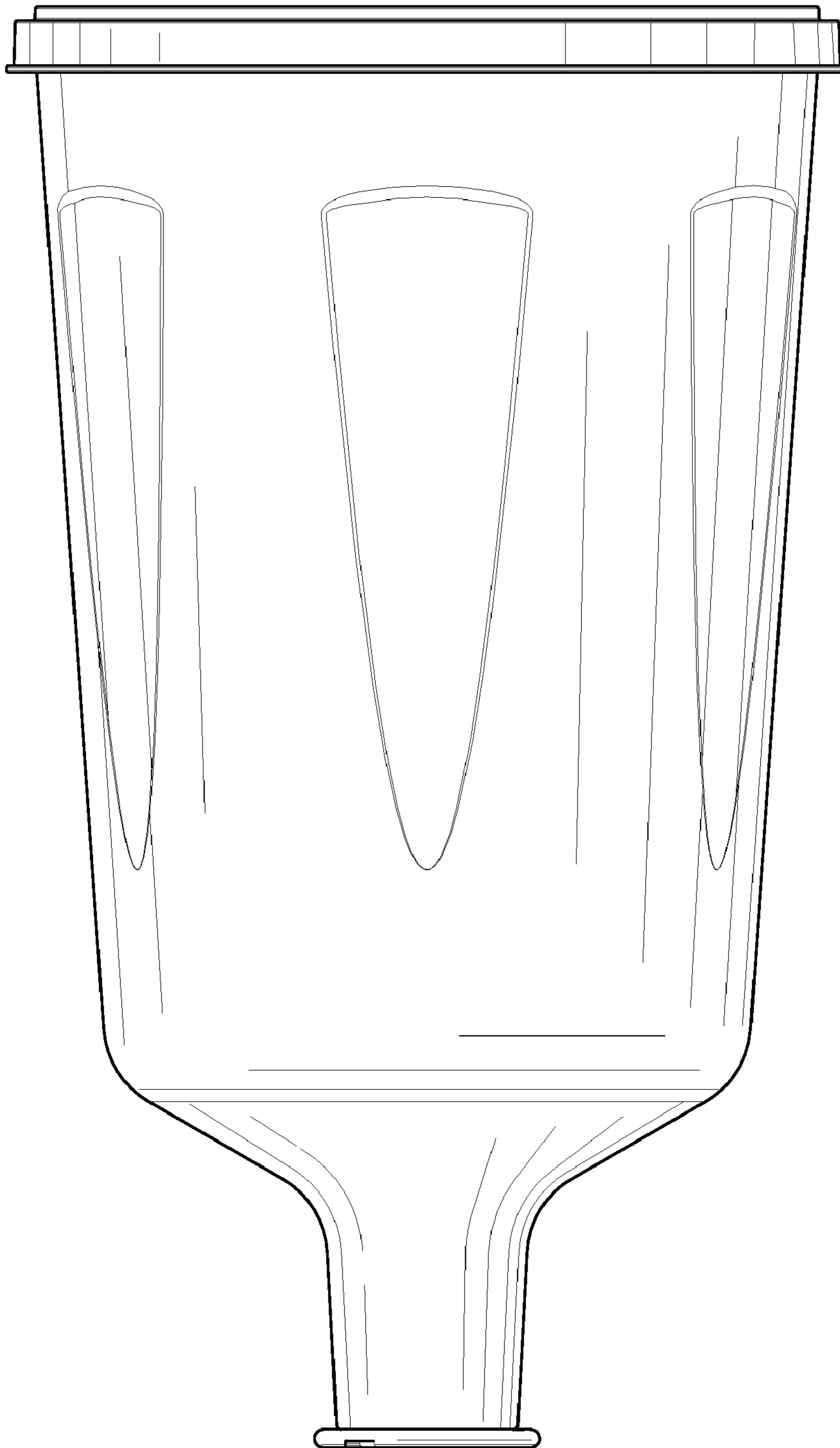


FIG. 2

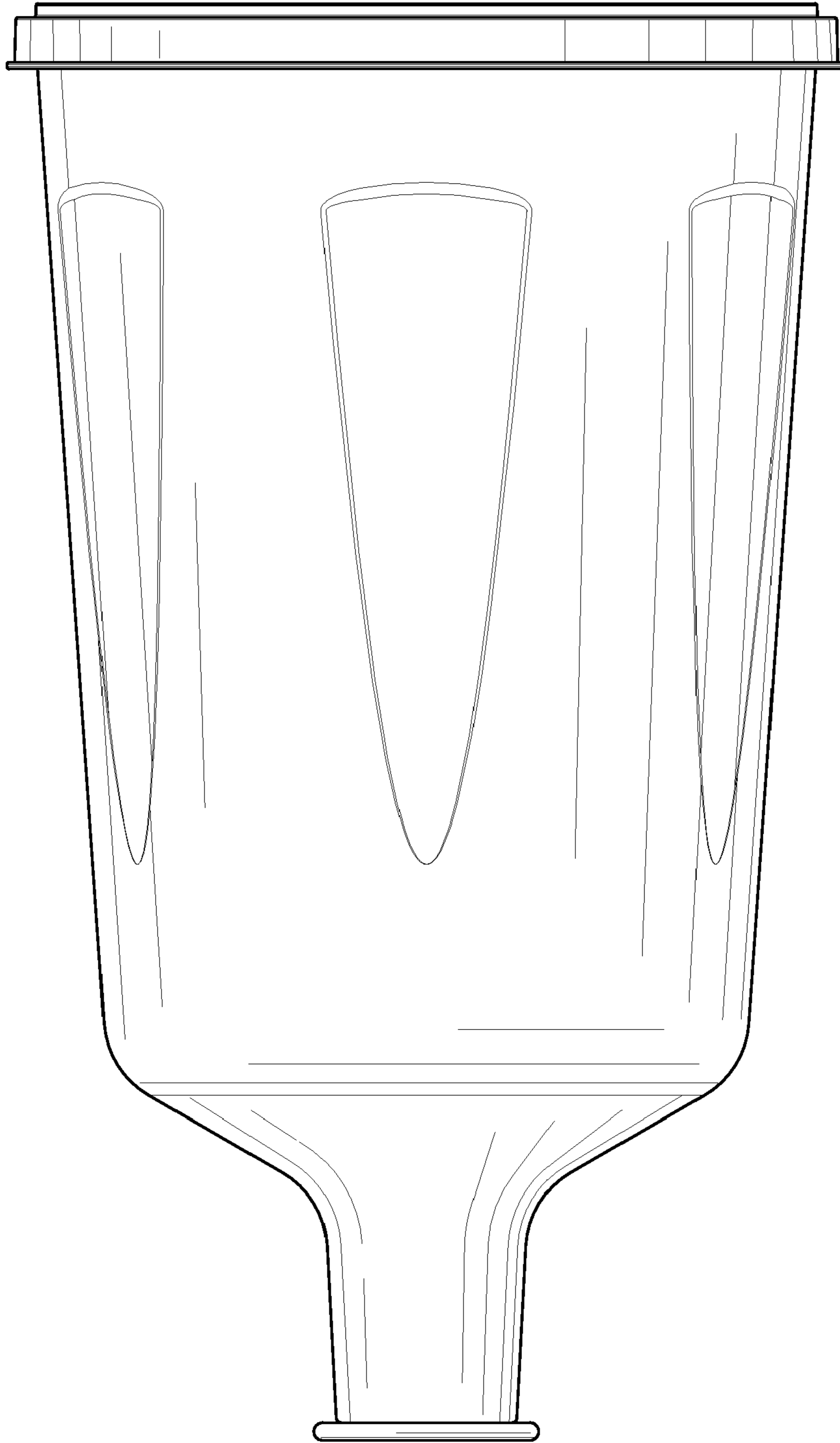


FIG. 3

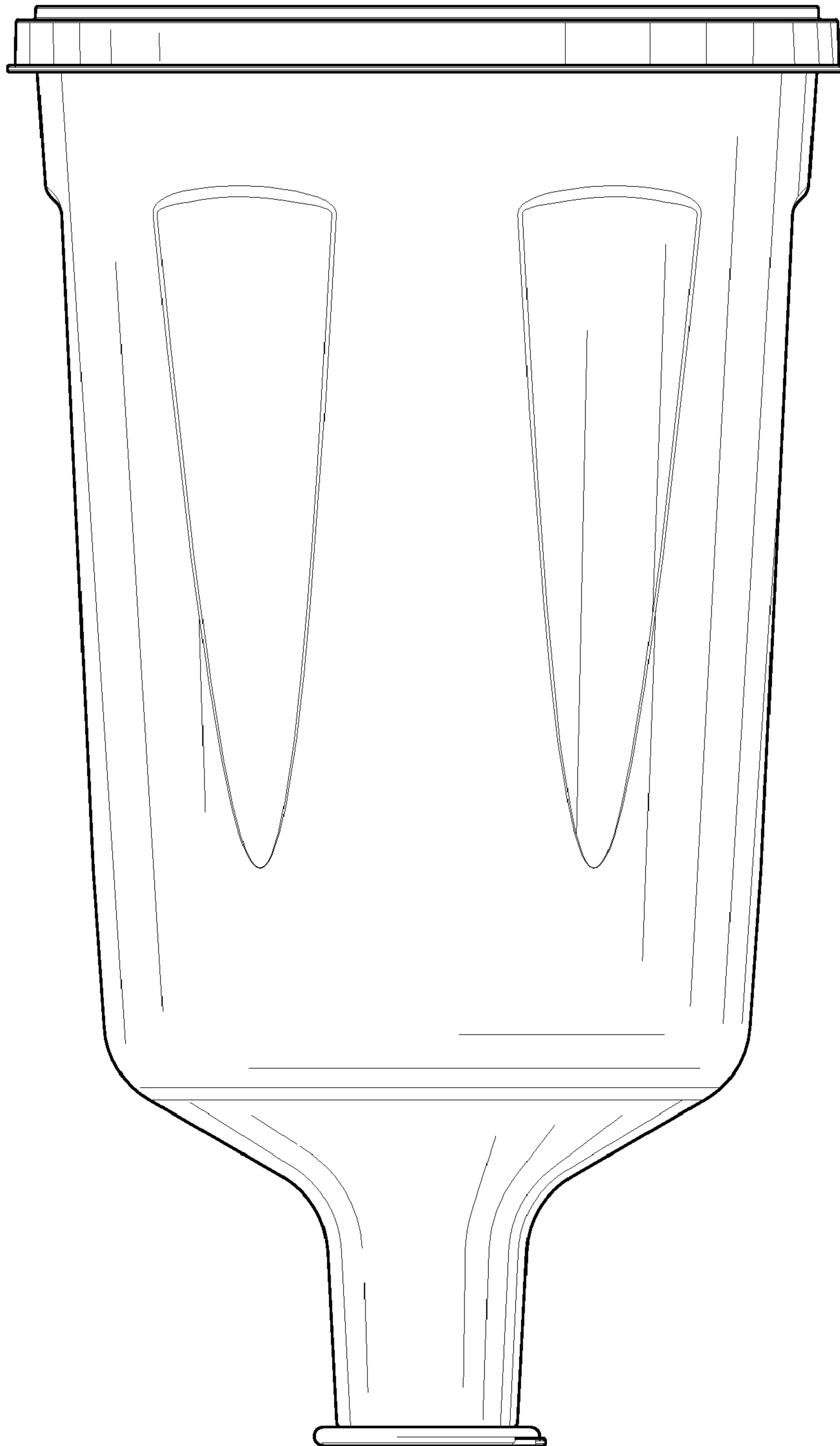


FIG. 4

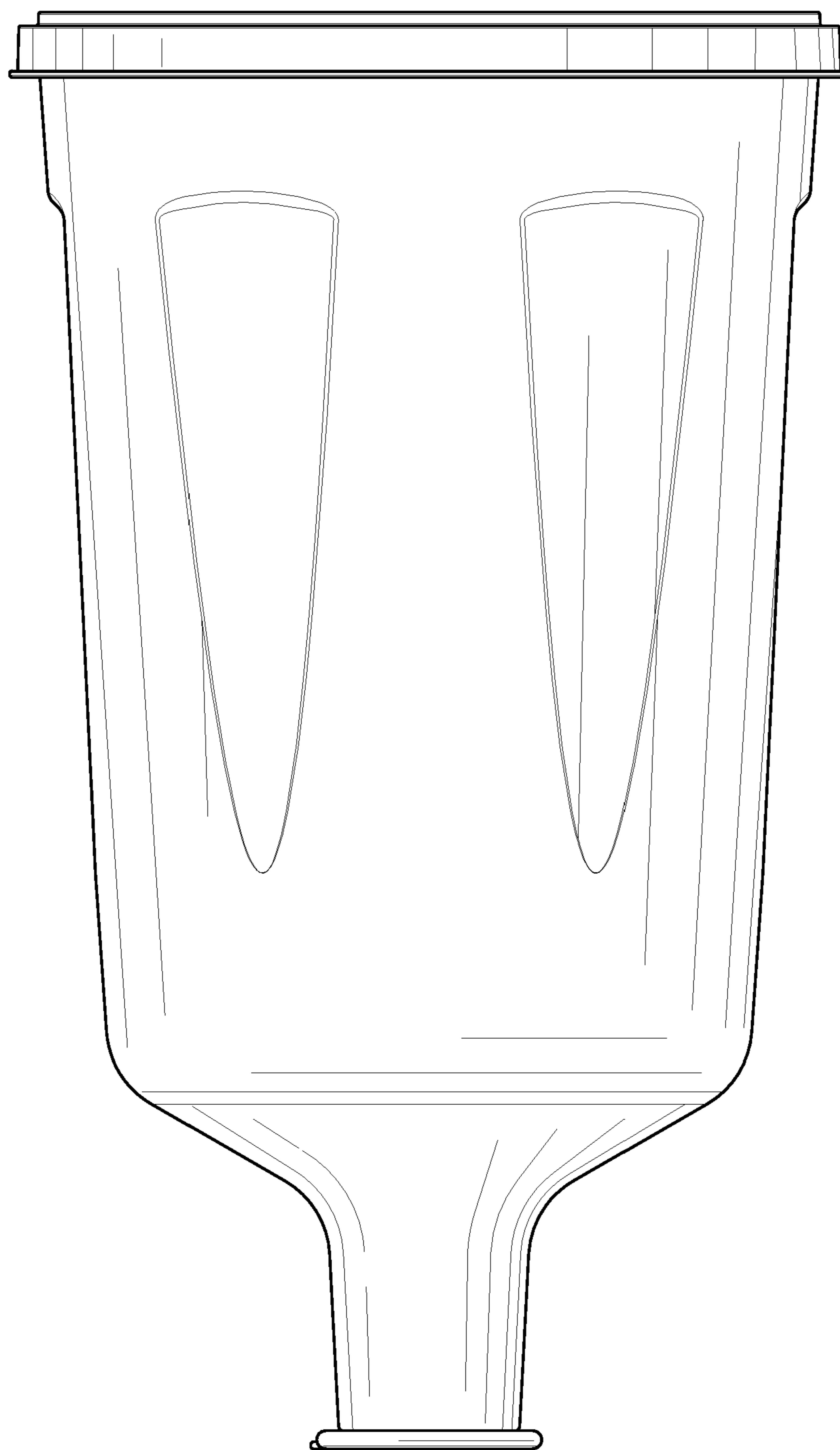


FIG. 5

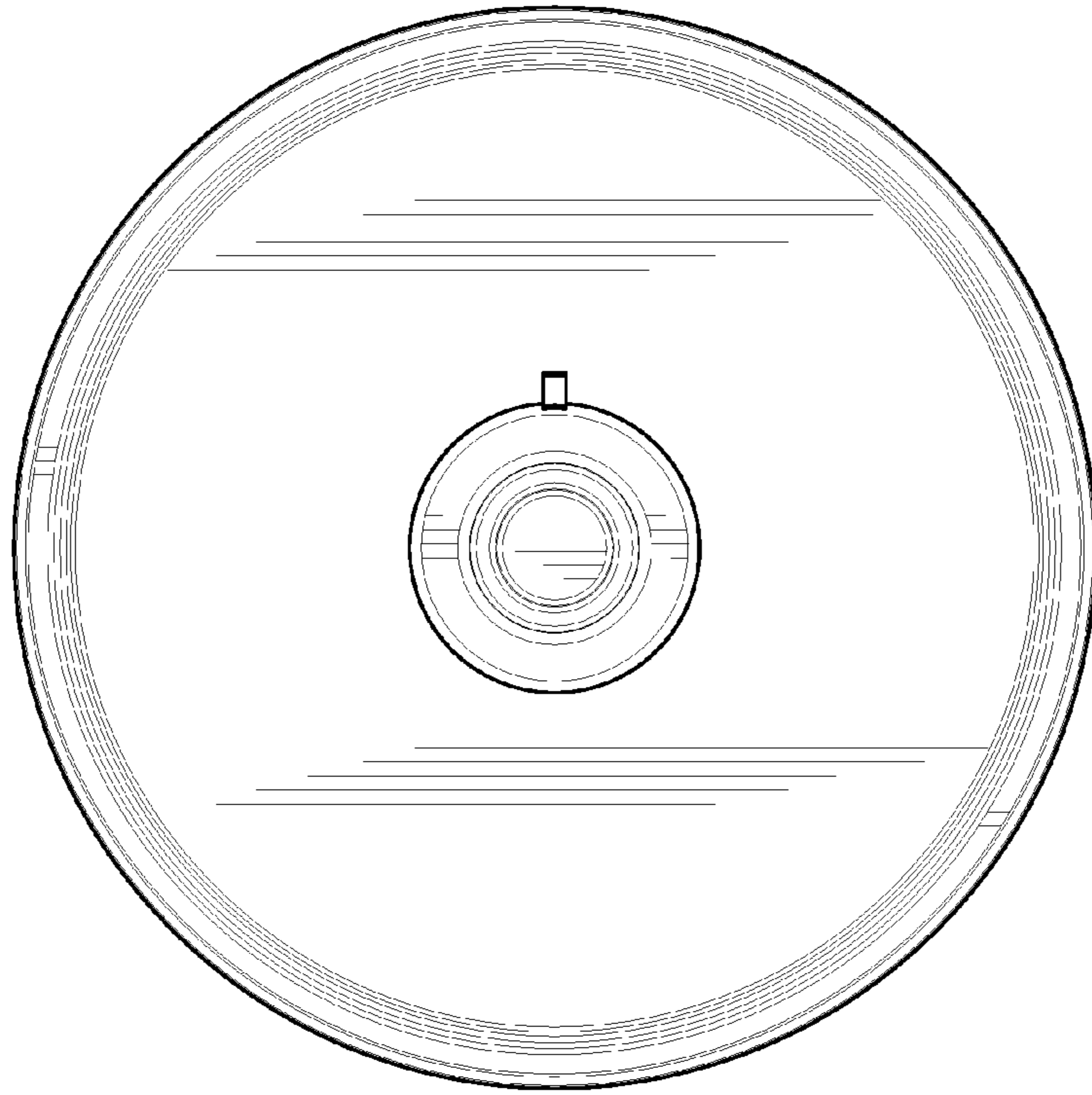


FIG. 6

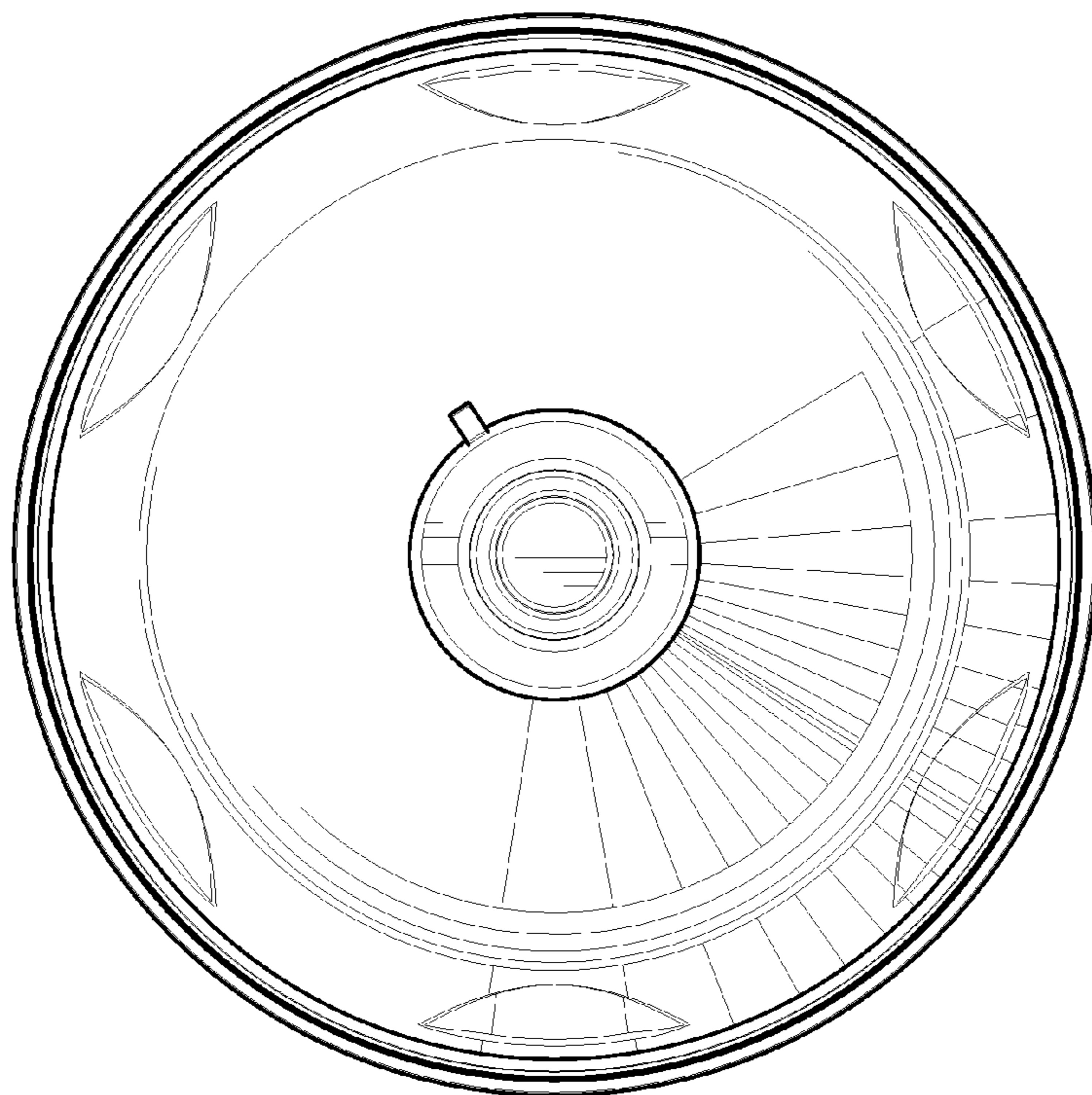


FIG. 7