



US00D574925S

(12) **United States Design Patent**  
**Morita et al.**

(10) **Patent No.:** **US D574,925 S**  
(45) **Date of Patent:** **\*\* Aug. 12, 2008**

(54) **WATER PURIFIER**

D542,374 S \* 5/2007 Green et al. .... D23/209

(75) Inventors: **Shikoh Morita**, Shinjuku-ku (JP);  
**Noboru Odamaki**, Chuo-ku (JP); **Ken**  
**Gotou**, Chuo-ku (JP); **Tsuyoshi Doi**,  
Chuo-ku (JP); **Takeshi Ishikawa**,  
Toyohashi (JP)

FOREIGN PATENT DOCUMENTS		
JP	D1246806	8/2005
JP	D1246941	8/2005
TW	395705	3/1998
TW	D111613	5/2005

(73) Assignee: **MRC Home Products Co., Ltd.**, Tokyo  
(JP)

**OTHER PUBLICATIONS**

U.S. Appl. No. 29/280,459, filed May 29, 2007, Morita, et al.  
U.S. Appl. No. 29/280,458, filed May 29, 2007, Morita, et al.

(\*\*) Term: **14 Years**

\* cited by examiner

(21) Appl. No.: **29/280,459**

*Primary Examiner*—Robin V Webster

(22) Filed: **May 29, 2007**

(74) *Attorney, Agent, or Firm*—Oblon, Spivak, McClelland,  
Maier & Neustadt, P.C.

(30) **Foreign Application Priority Data**

(57) **CLAIM**

Nov. 28, 2006 (JP) ..... 2006-032593

The ornamental design for a water purifier, as shown and  
described.

(51) **LOC (8) Cl.** ..... **23-01**

(52) **U.S. Cl.** ..... **D23/209**

(58) **Field of Classification Search** ..... D23/209,  
D23/207; 210/420, 235, 449, 462  
See application file for complete search history.

**DESCRIPTION**

FIG. 1 is a perspective view of a water purifier showing our  
new design;

(56) **References Cited**

**U.S. PATENT DOCUMENTS**

D242,249 S *	11/1976	Corder et al.	.....	D23/209
D277,305 S *	1/1985	Grube	.....	D23/209
D398,369 S *	9/1998	Hayes et al.	.....	D23/209
6,123,837 A *	9/2000	Wadsworth et al.	.....	210/87
6,251,274 B1 *	6/2001	Shepherd	.....	210/235
6,797,156 B2 *	9/2004	Chau	.....	210/94

FIG. 2 is a front view;

FIG. 3 is a rear view;

FIG. 4 is a left side view;

FIG. 5 is a right side view;

FIG. 6 is a top plan view; and,

FIG. 7 is a bottom plan view.

**1 Claim, 4 Drawing Sheets**

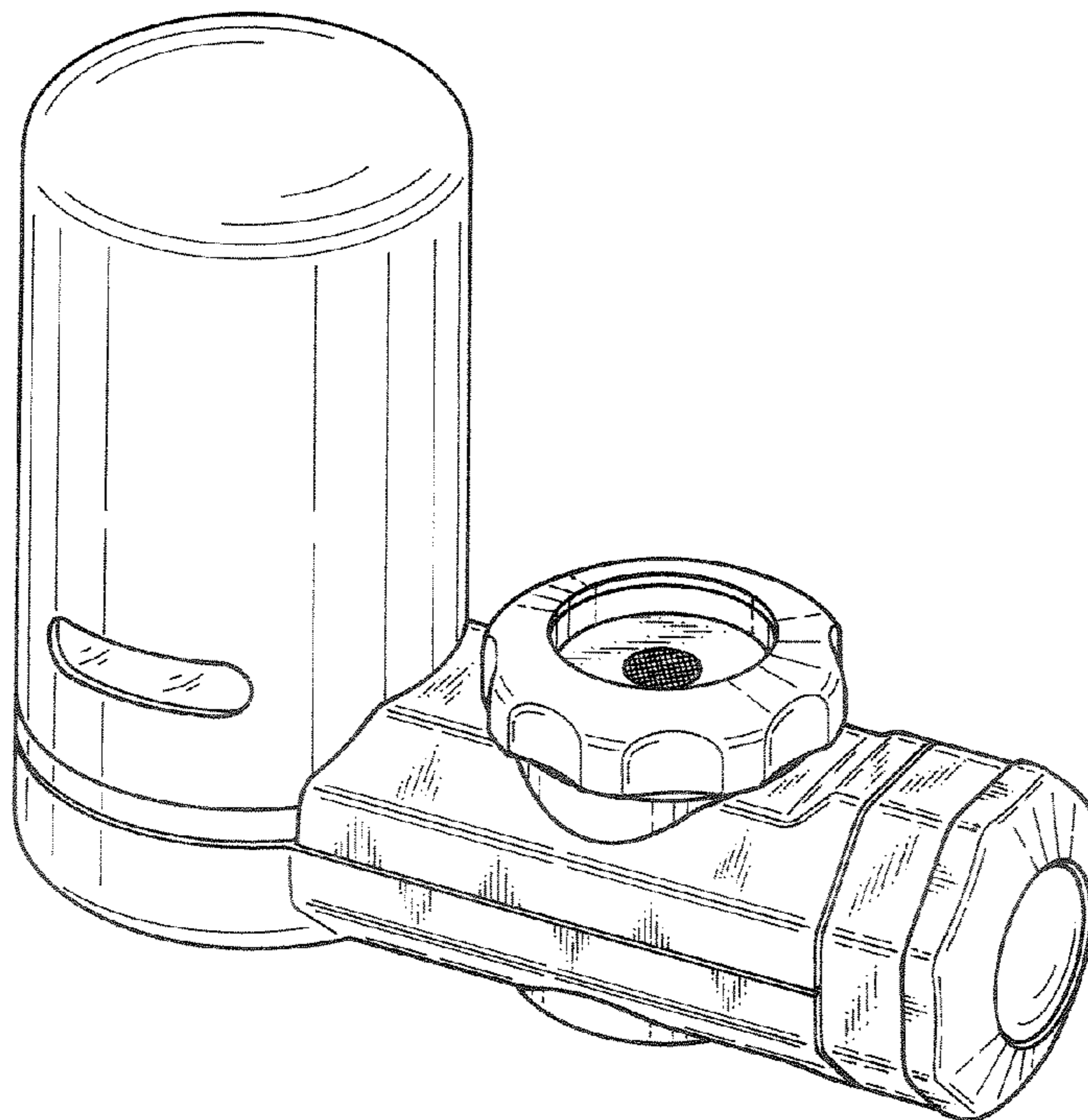


Fig.1

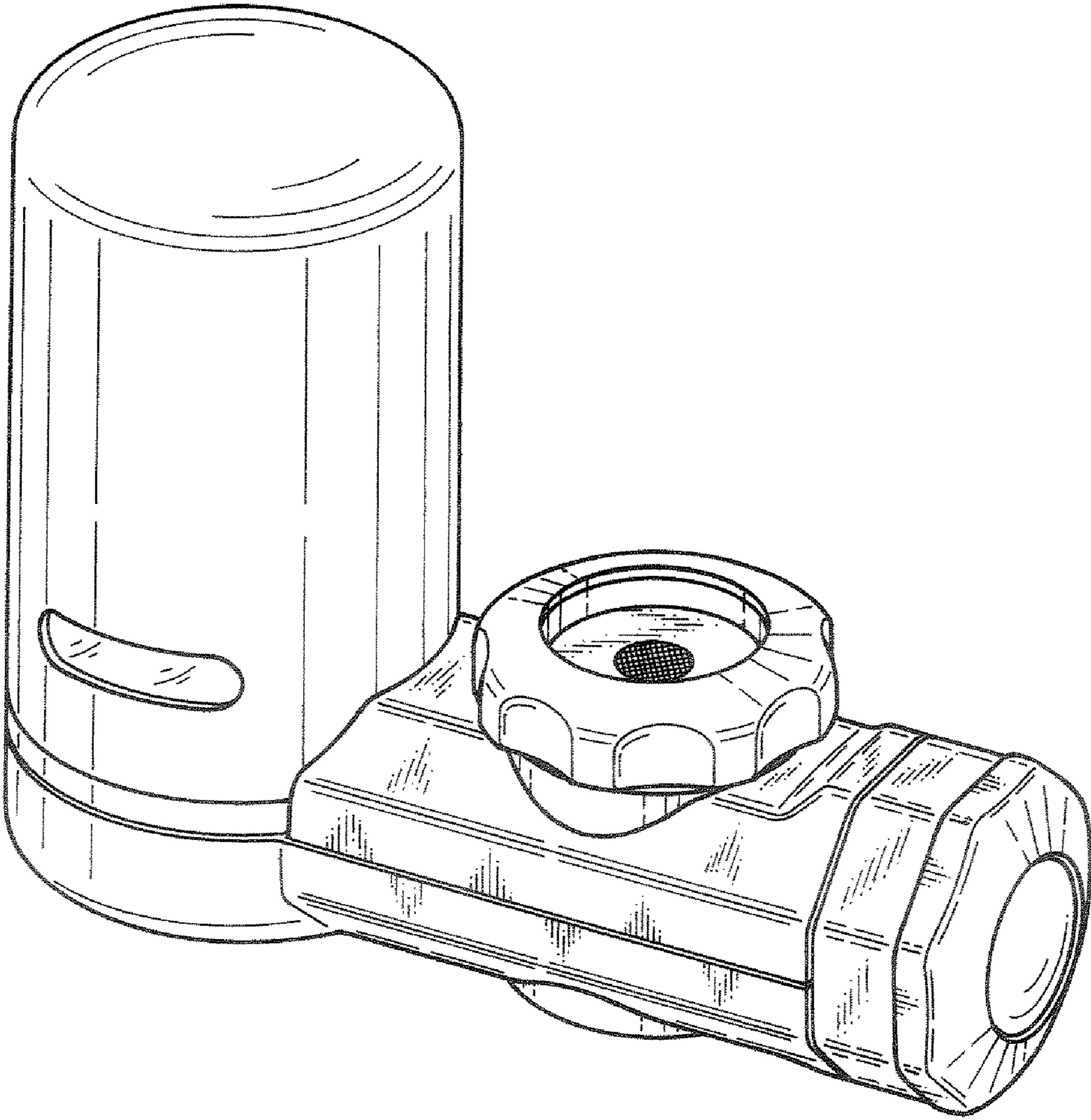


Fig.2

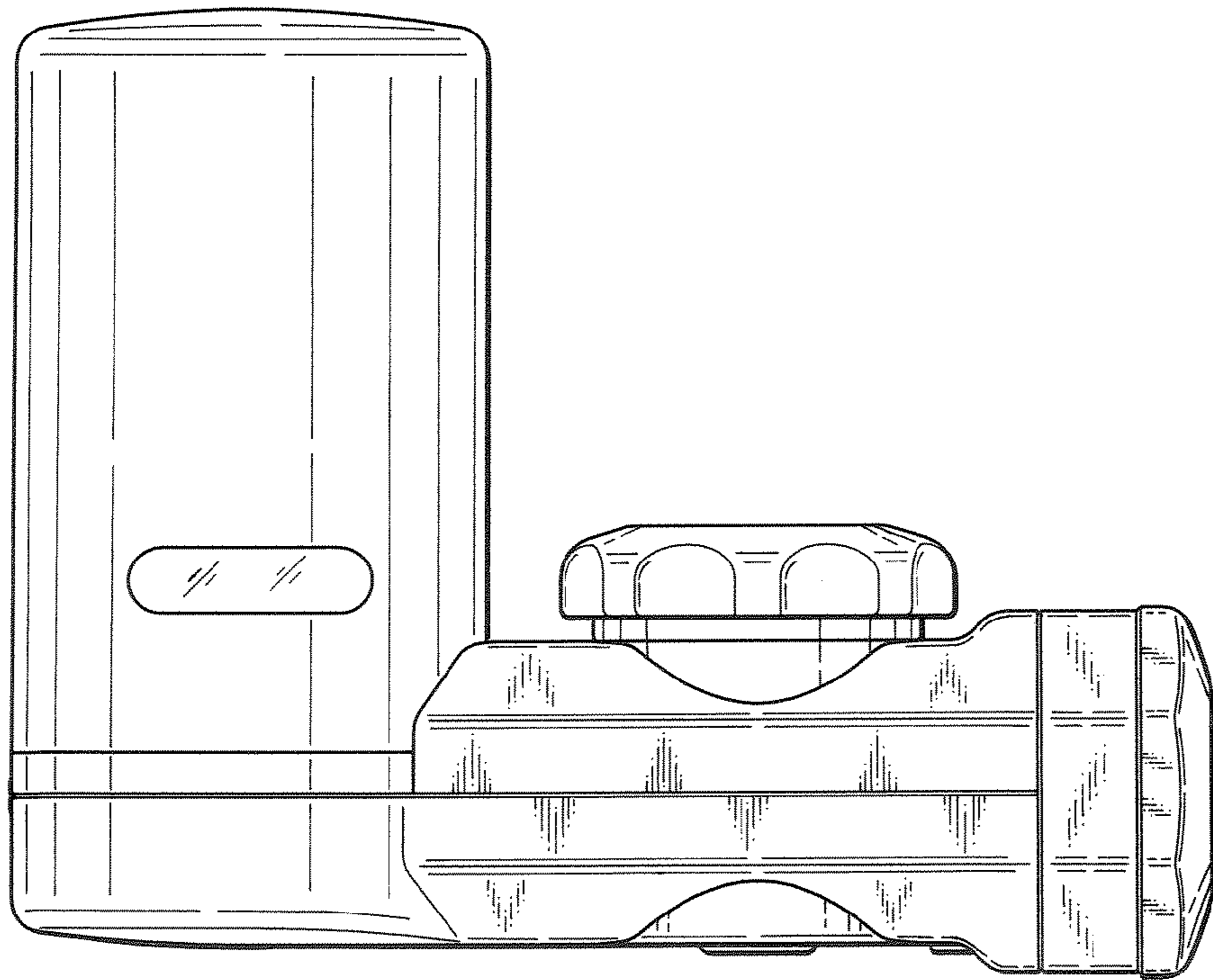


Fig.3

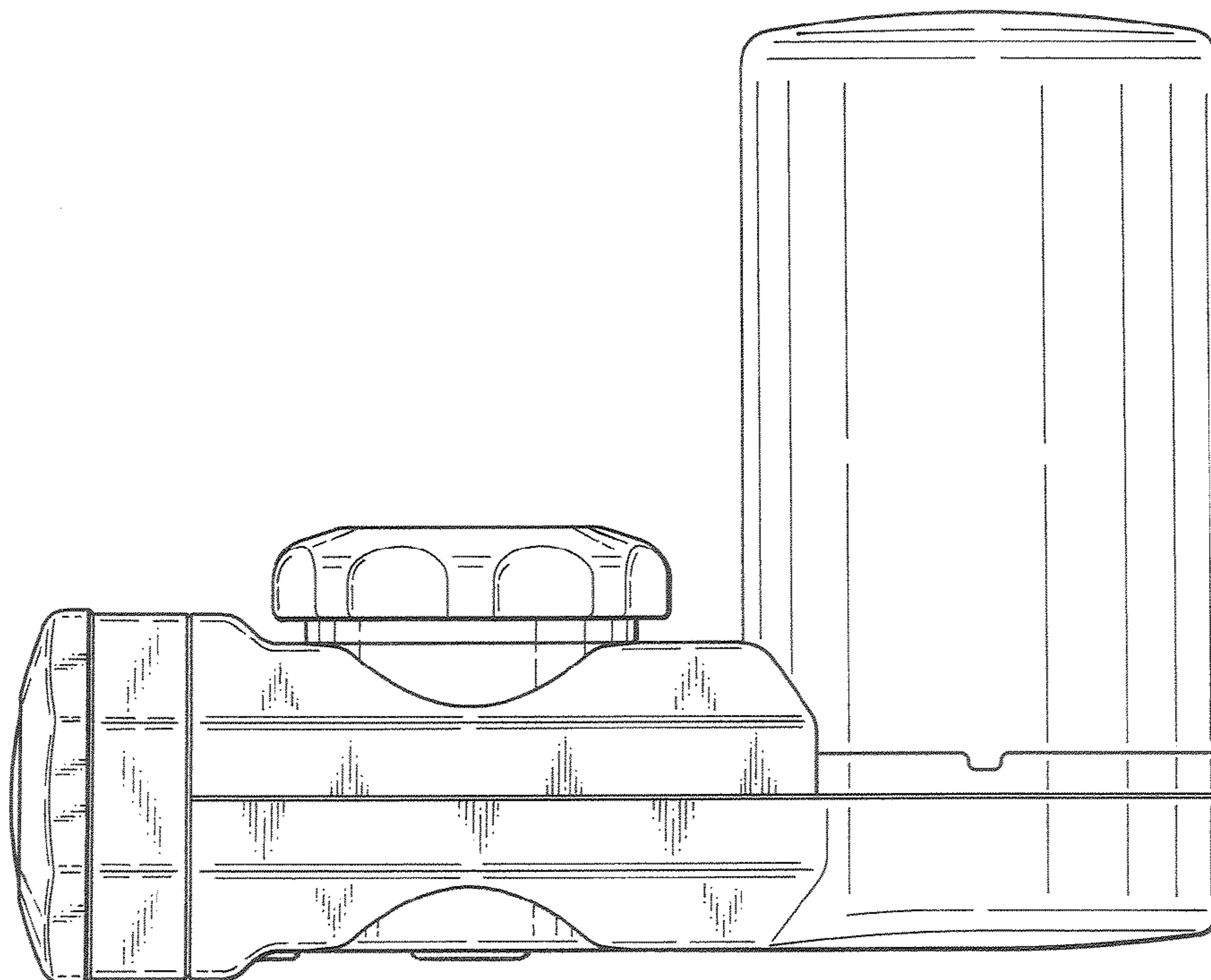


Fig.4

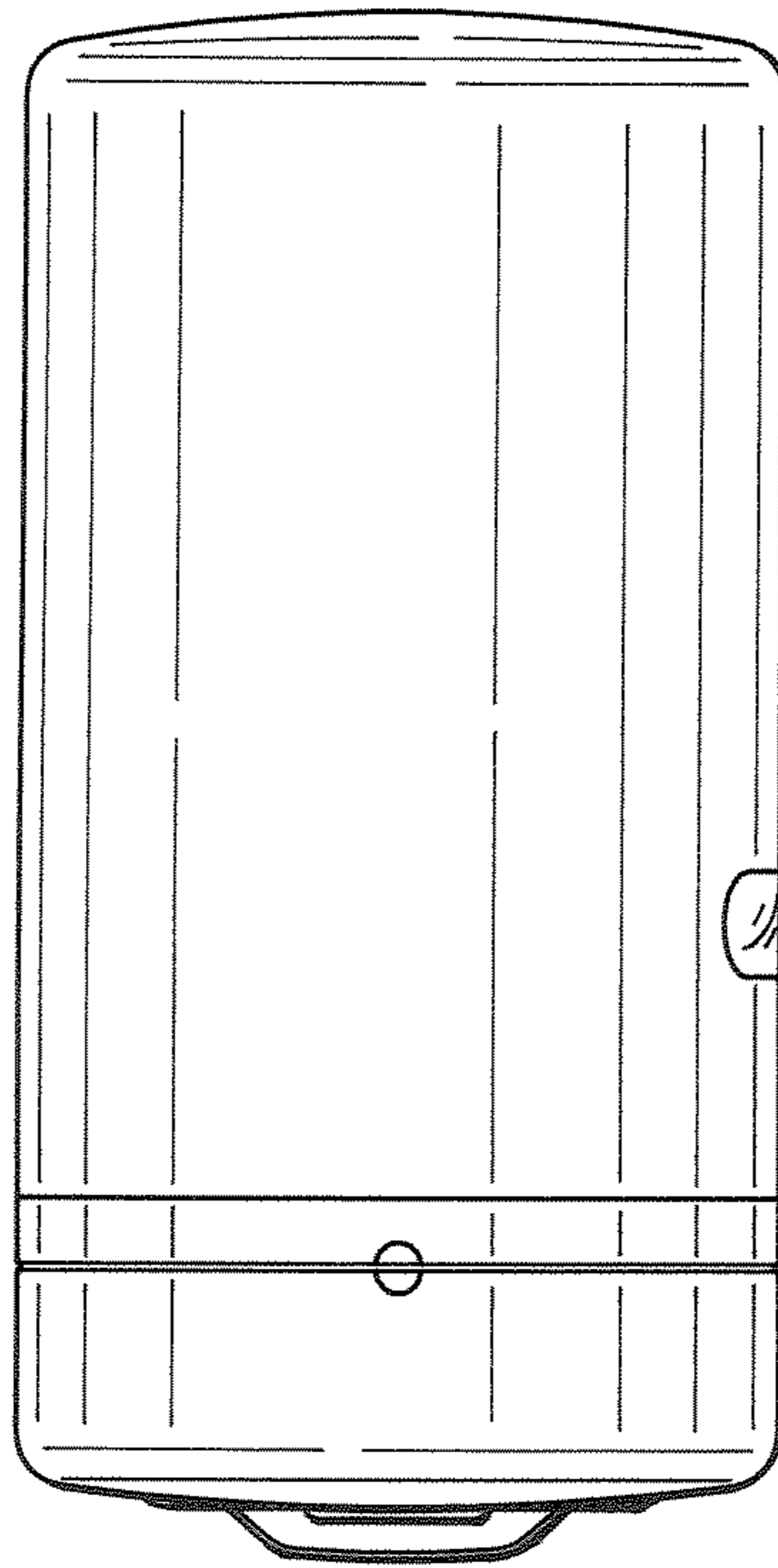


Fig.5

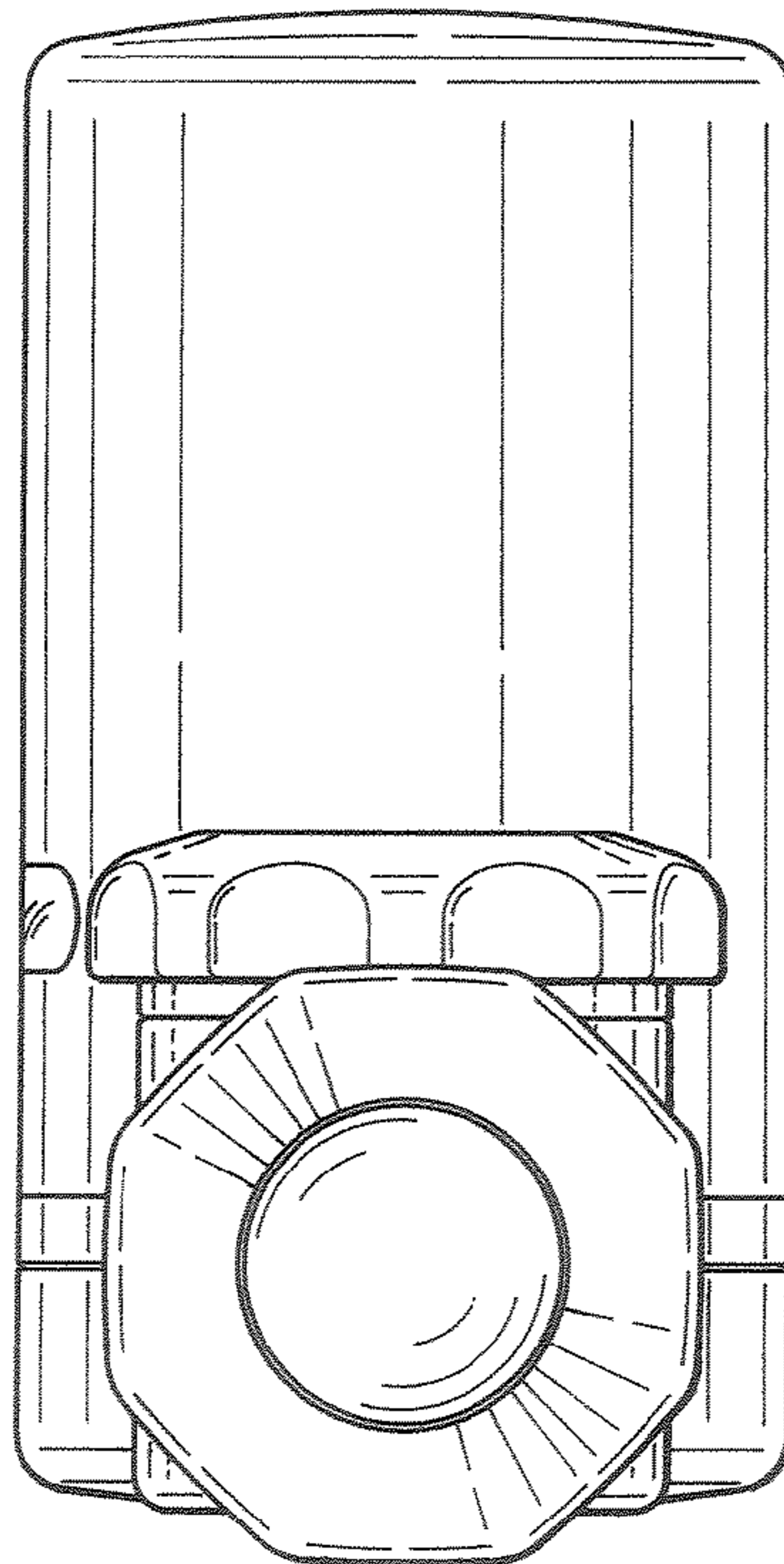


Fig.6

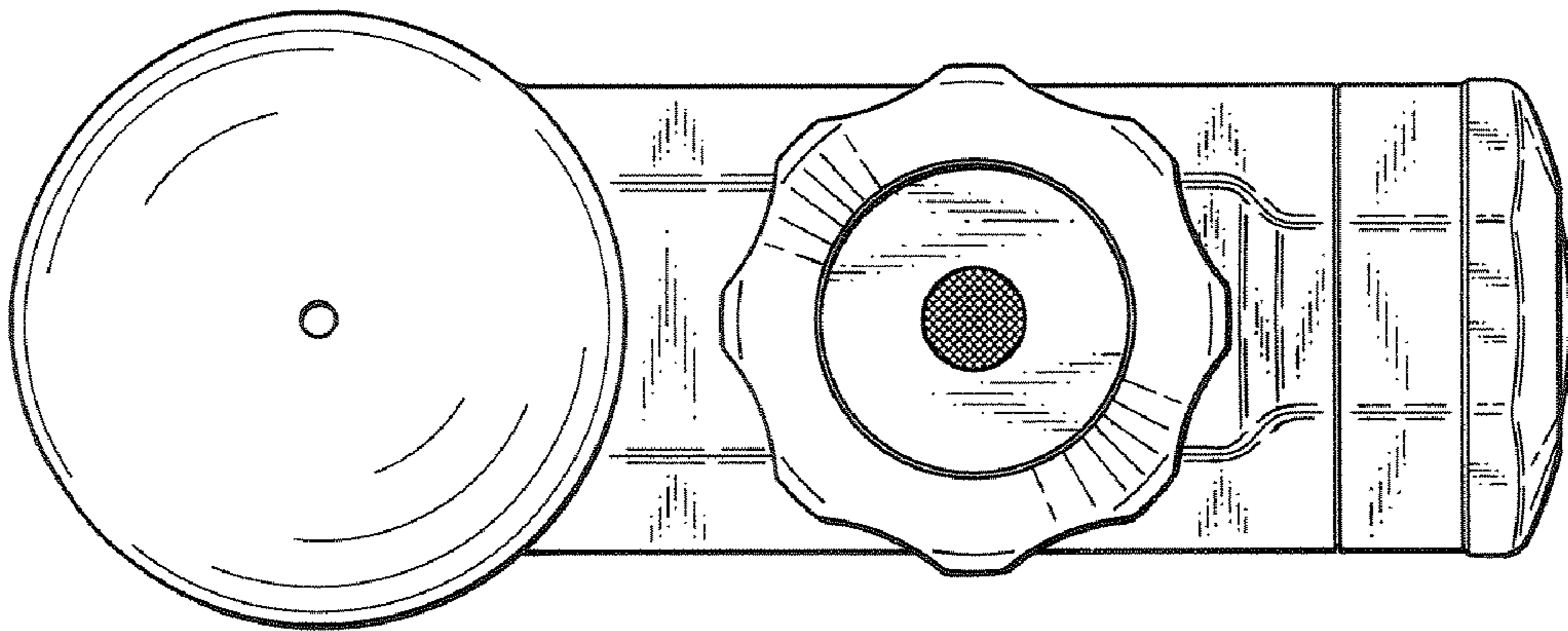


Fig.7

