



US00D574923S

(12) **United States Design Patent**  
**Crawford et al.**

(10) **Patent No.:** **US D574,923 S**

(45) **Date of Patent:** **\*\* Aug. 12, 2008**

(54) **FILTER ELEMENT**

(75) Inventors: **Brian Scott Crawford**, Bessemer City, NC (US); **Michael David Adams**, Dallas, NC (US)

(73) Assignee: **Wix Filtration Corp LLC**, Gastonia, NC (US)

(\*\*) Term: **14 Years**

(21) Appl. No.: **29/265,352**

(22) Filed: **Aug. 30, 2006**

**Related U.S. Application Data**

(63) Continuation of application No. 10/445,263, filed on May 27, 2003, now abandoned.

(51) **LOC (8) Cl.** ..... **23-01**

(52) **U.S. Cl.** ..... **D23/209**

(58) **Field of Classification Search** ..... D23/207, D23/209; 210/493.1, 493.3, 493.5, 130; 55/497

See application file for complete search history.

(56) **References Cited**

**U.S. PATENT DOCUMENTS**

579,769 A \* 3/1897 Pich ..... 210/493.5  
2,410,371 A \* 10/1946 Vokes ..... 55/500  
2,593,293 A \* 4/1952 Giauque ..... 210/493.2

2,759,610 A \* 8/1956 James ..... 210/493.1  
3,216,578 A \* 11/1965 Muschamp et al. .... 210/484  
4,004,899 A \* 1/1977 Giacovas ..... 55/499  
4,126,557 A \* 11/1978 Hodgkins ..... 210/249  
5,397,632 A \* 3/1995 Murphy et al. .... 442/358  
6,036,752 A \* 3/2000 Reuter ..... 96/67  
6,905,609 B2 \* 6/2005 Nassef ..... 210/760

\* cited by examiner

*Primary Examiner*—Robin V Webster

(74) *Attorney, Agent, or Firm*—Honigman Miller Schwartz & Cohn LLP

(57) **CLAIM**

The ornamental design for filter element, as shown and described.

**DESCRIPTION**

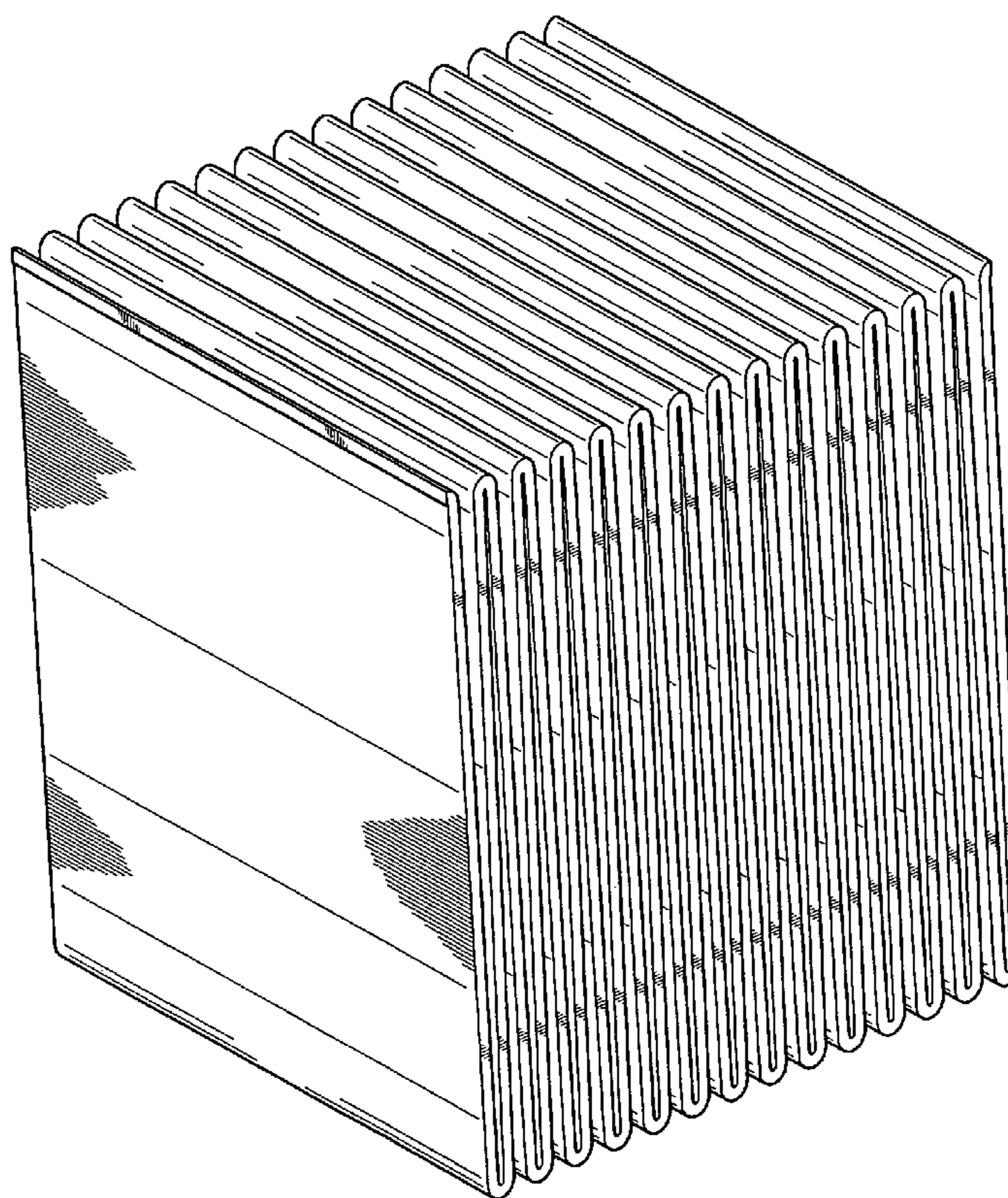
FIG. 1 is a front/right side/top perspective view of the filter element of the present invention;

FIG. 2 is a front elevational view of the filter element of FIG. 1, wherein the rear elevational view is identical to the front elevational view;

FIG. 3 is a right side elevational view of the filter element of FIG. 1 wherein the left side elevational view is identical to the right side elevational view;

FIG. 4 is a bottom view of the filter element of FIG. 1; and, FIG. 5 is a top view of the filter element of FIG. 1.

**1 Claim, 4 Drawing Sheets**



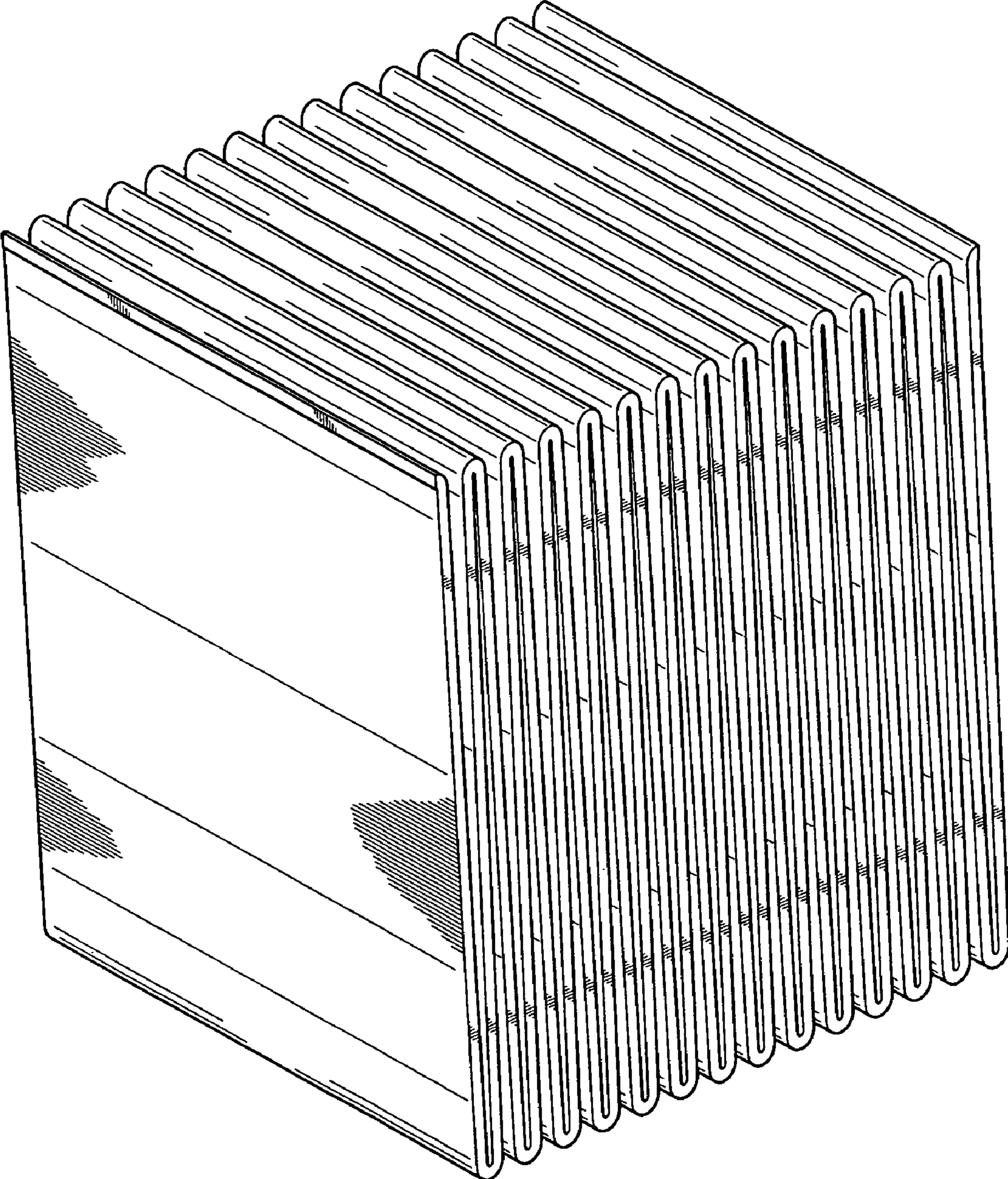
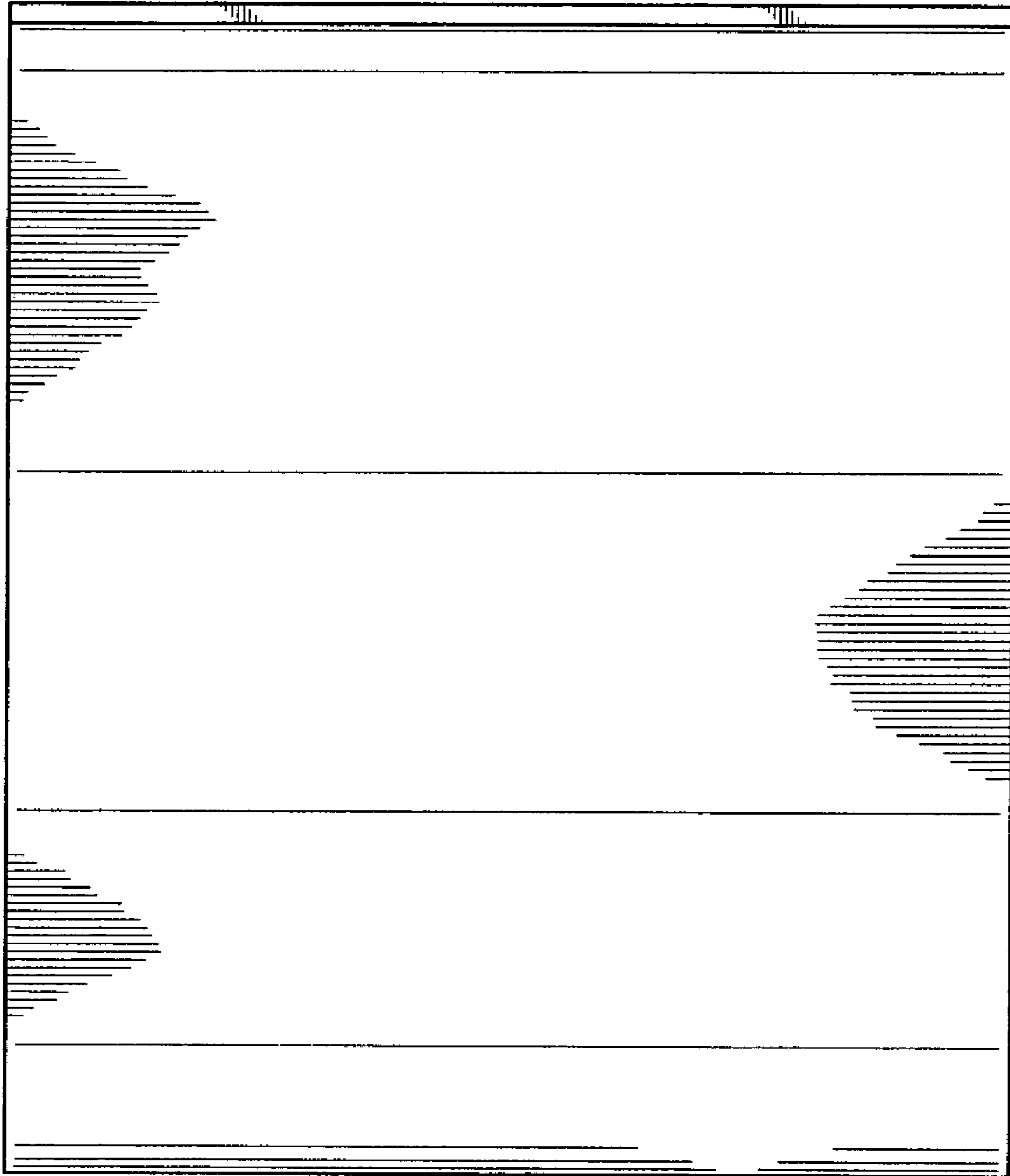
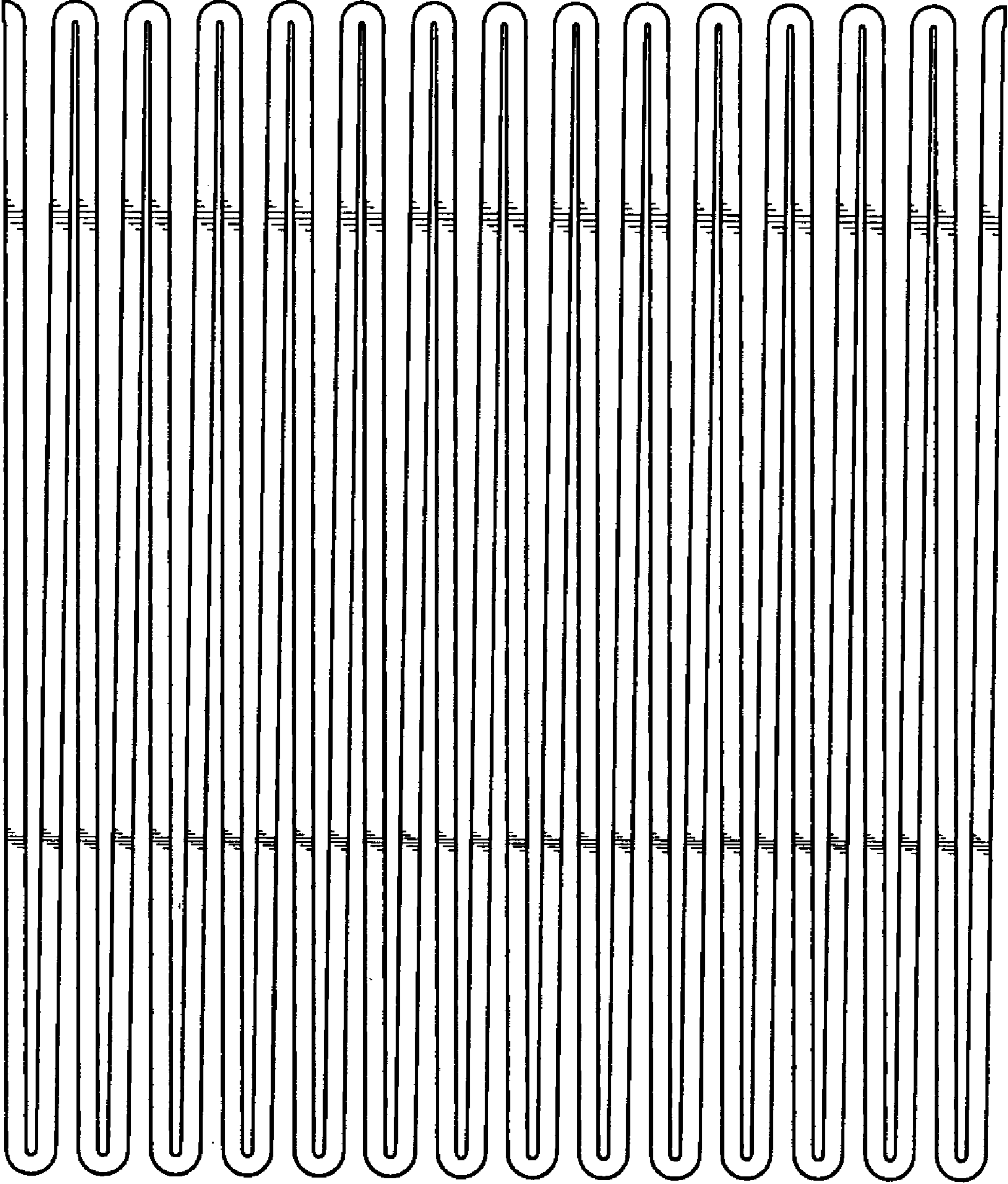


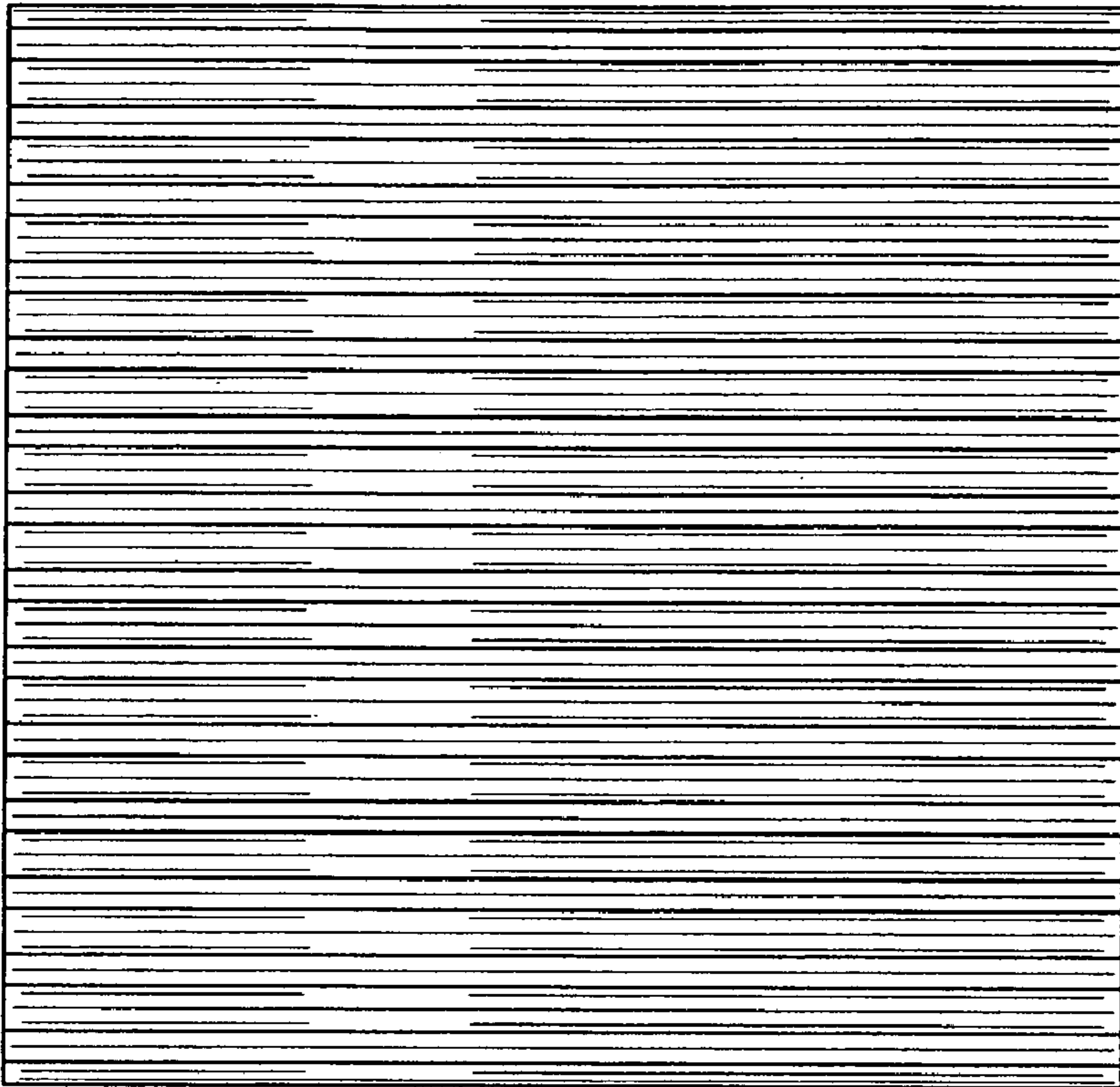
FIG. 1



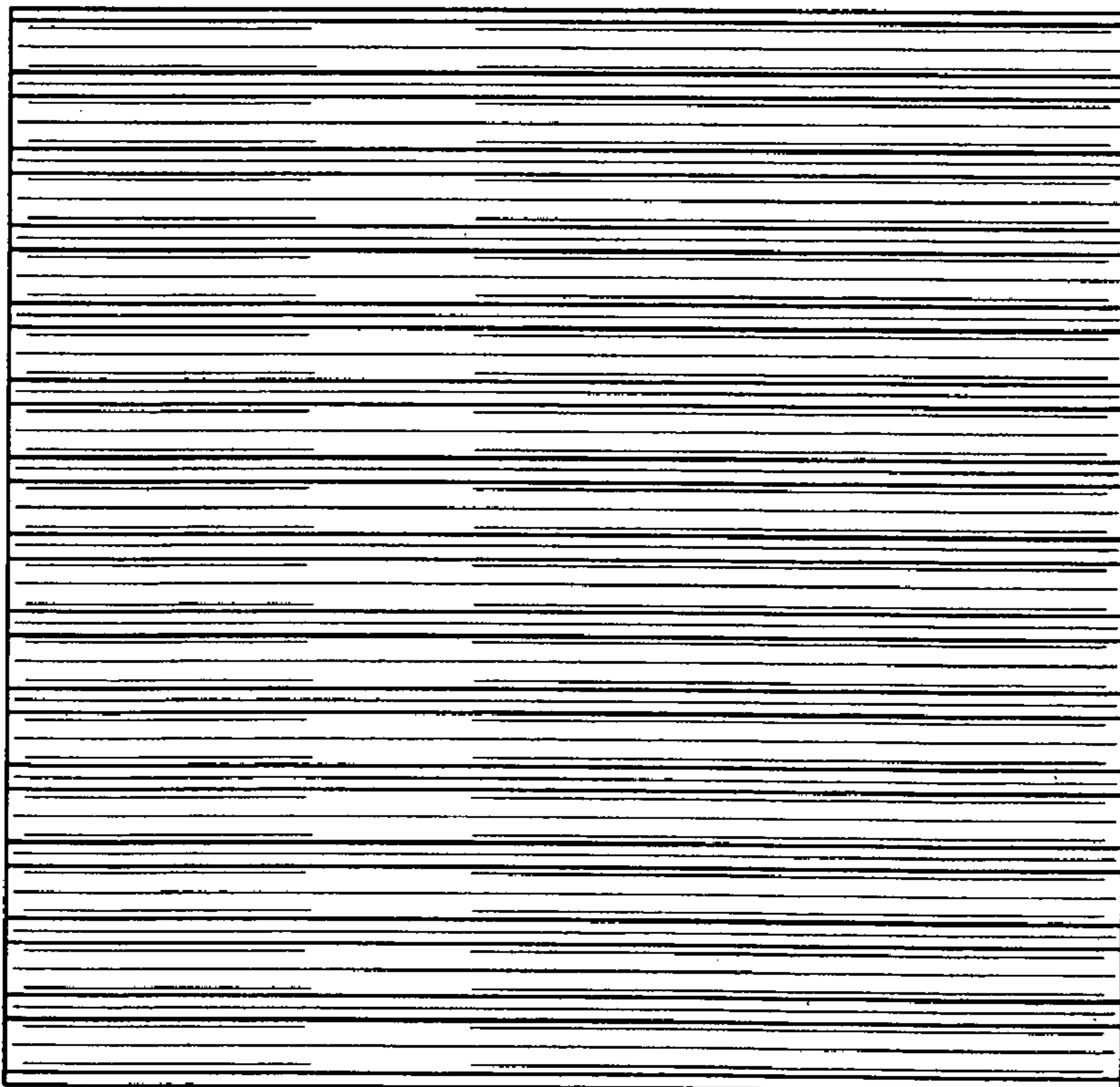
*FIG. 2*



*FIG. 3*



*FIG. 4*



*FIG. 5*