



US00D574921S

(12) **United States Design Patent**
Massey

(10) **Patent No.:** **US D574,921 S**

(45) **Date of Patent:** **** Aug. 12, 2008**

(54) **SEWAGE TANK FLANGE**

(75) Inventor: **Adrian Massey**, Mount Waverley (AU)

(73) Assignee: **Environment One Corporation**,
Niskayuna, NY (US)

(**) Term: **14 Years**

(21) Appl. No.: **29/249,115**

(22) Filed: **Sep. 21, 2006**

Related U.S. Application Data

(63) Continuation of application No. 29/210,528, filed on
Aug. 2, 2004, now Pat. No. Des. 529,573.

(51) **LOC (8) Cl.** **23-01**

(52) **U.S. Cl.** **D23/206**

(58) **Field of Classification Search** D23/202–205;
220/561, 565, 587, 532.2

See application file for complete search history.

(56) **References Cited**

U.S. PATENT DOCUMENTS

D154,966 S	8/1949	Walsh	D23/205
3,451,553 A	6/1969	Davis	210/170
4,909,393 A	3/1990	Palisin, Jr.	206/519
4,961,670 A	10/1990	McKenzie et al.	405/53
D357,530 S	4/1995	Grenier et al.	D23/203
5,439,180 A	8/1995	Baughman et al.	241/36
5,494,183 A	2/1996	Sharp	202/62.19
5,562,254 A	10/1996	Sleasman et al.	241/46.01
5,597,948 A	1/1997	Sharp	73/49.2
5,752,315 A	5/1998	Sleasman et al.	29/888
D397,763 S	9/1998	Sabo	D23/203
5,806,702 A	9/1998	Sabo	220/4.12
5,816,510 A	10/1998	Earle, III et al.	241/46.01
6,059,208 A	5/2000	Struthers	241/46.01
6,280,614 B1	8/2001	Berg et al.	210/170
6,305,410 B1	10/2001	Cook et al.	137/363
D492,000 S	6/2004	Festa et al.	D23/203
6,763,950 B2	7/2004	Graves	210/513
D529,573 S	10/2006	Daley et al.	D23/202
2005/0178721 A1	8/2005	Lombardi, II	210/532.2

FOREIGN PATENT DOCUMENTS

DE	199 61 414	7/2001	D29/12
FR	2 790 495	9/2000	D29/12

OTHER PUBLICATIONS

Daley et al., pending U.S. Appl. No. 11/337,363, filed Jan. 23, 2006
entitled "Sewage Tanks and Grinder Pump Systems".

Daley, et al. pending U.S. Appl. No. 29/243,106, filed Nov. 18, 2005,
entitled "Sewage Tank".

Daley, et al., pending U.S. Appl. No. 29/249,183, filed Sep. 26, 2006,
entitled "Sewage Tank".

Zabel® Environmental Technology. Catalog 2003. "Zabel in a Can".
pp. 56-57.

Zabel® Environmental Technology. Catalog 2003. "Advance Treat-
ment Accessories (Recirculation Devices) ATS-GRD-100/80/20". p.
73.

Zabel® Environmental Technology. Catalog 2003. "Step Systems
Zeus Step Packages ZS-300". p. 85.

Zabel® Environmental Technology. Catalog 2003. Step Systems
Pressure Distribution (Distribution Valve Assembly) PDS-DV-6-6-6-
AP. p. 121.

Zabel® Environmental Technology. Catalog 2003. "Tankage System
Polyethylene Basins (20" Diameter Basin)". p. 142.

Zabel® Environmental Technology. Catalog 2003. "Effluent Filters
Filter Packages A1800-4x22-VT-B35-FP." p. 172.

E/One Sewers™ GP2012 Brochure 10 pp., Jan. 2002.

E/One Sewers™ GP2014 Brochure 8 pp., Mar. 2003.

Primary Examiner—Robin V Webster

(74) *Attorney, Agent, or Firm*—Heslin Rothenberg Farley &
Mesiti P.C.

(57) **CLAIM**

The ornamental design for a sewage tank flange, as shown and
described.

DESCRIPTION

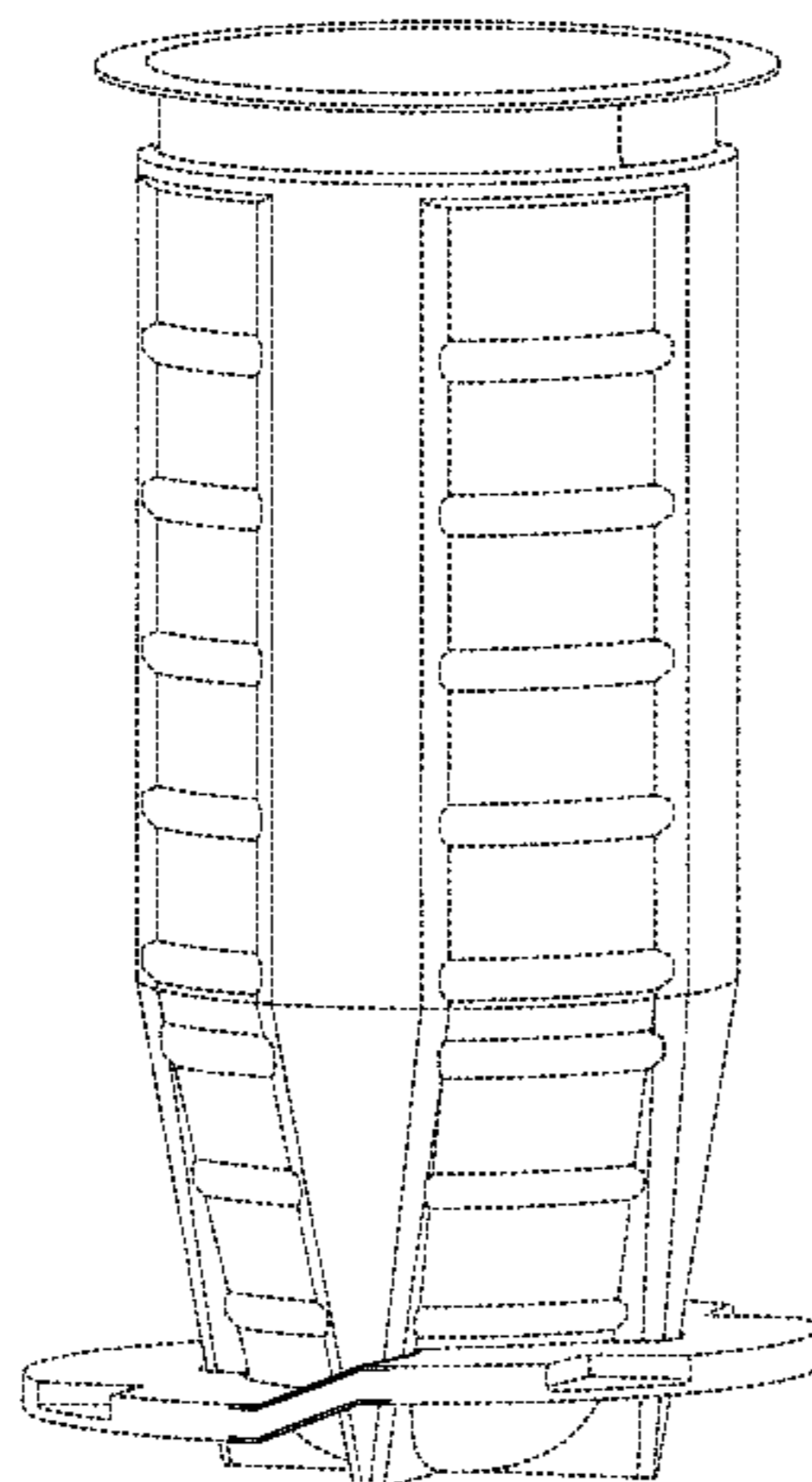
FIG. 1 is a perspective view of a sewage tank flange in accor-
dance with the new design;

FIG. 2 is a front elevational view thereof; a rear elevational
view being a mirror image thereof; and,

FIG. 3 is a bottom view thereof.

The broken lines in the drawings are for illustrative purposes
only and form no part of the claimed design.

1 Claim, 3 Drawing Sheets



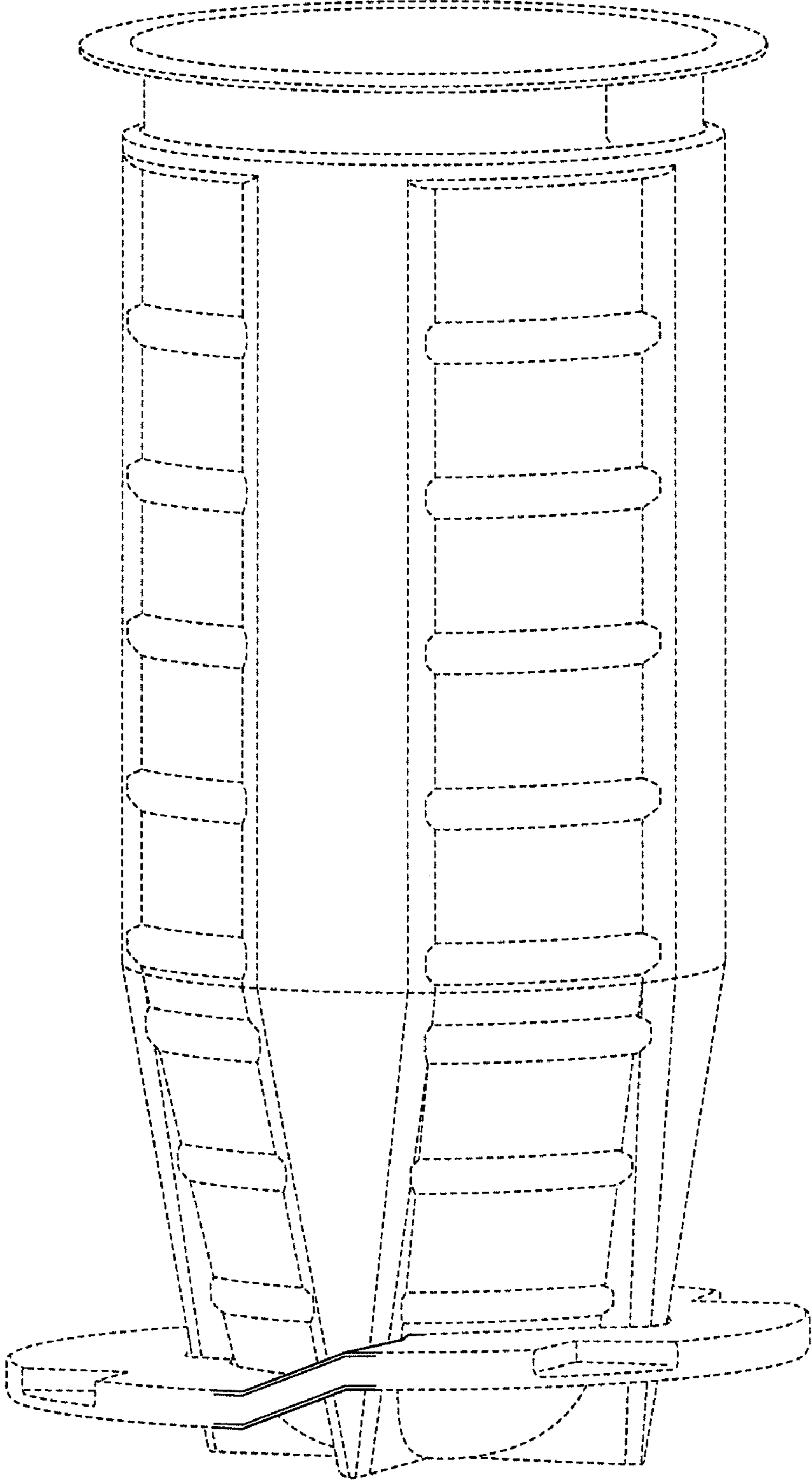


FIG. 1

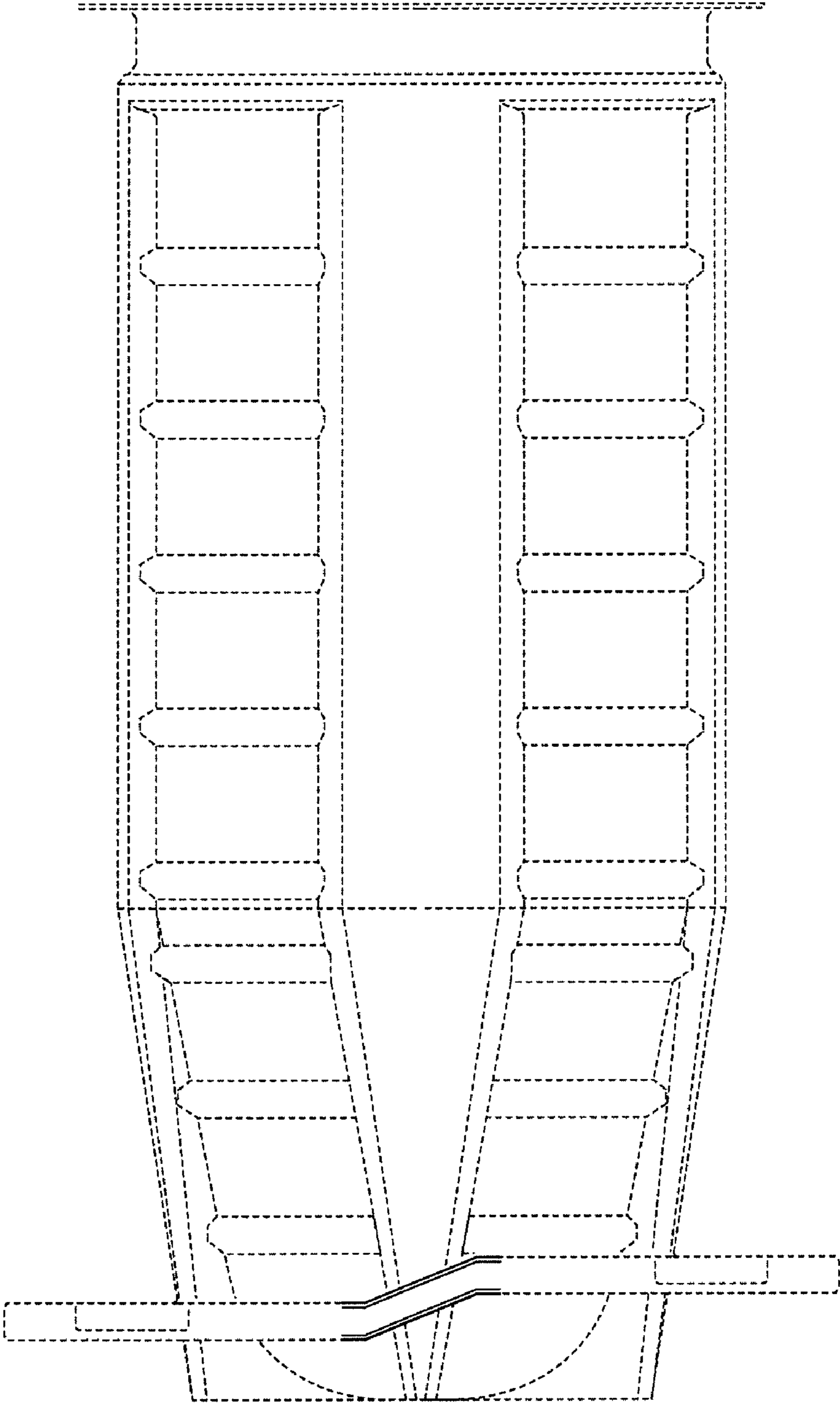


FIG. 2

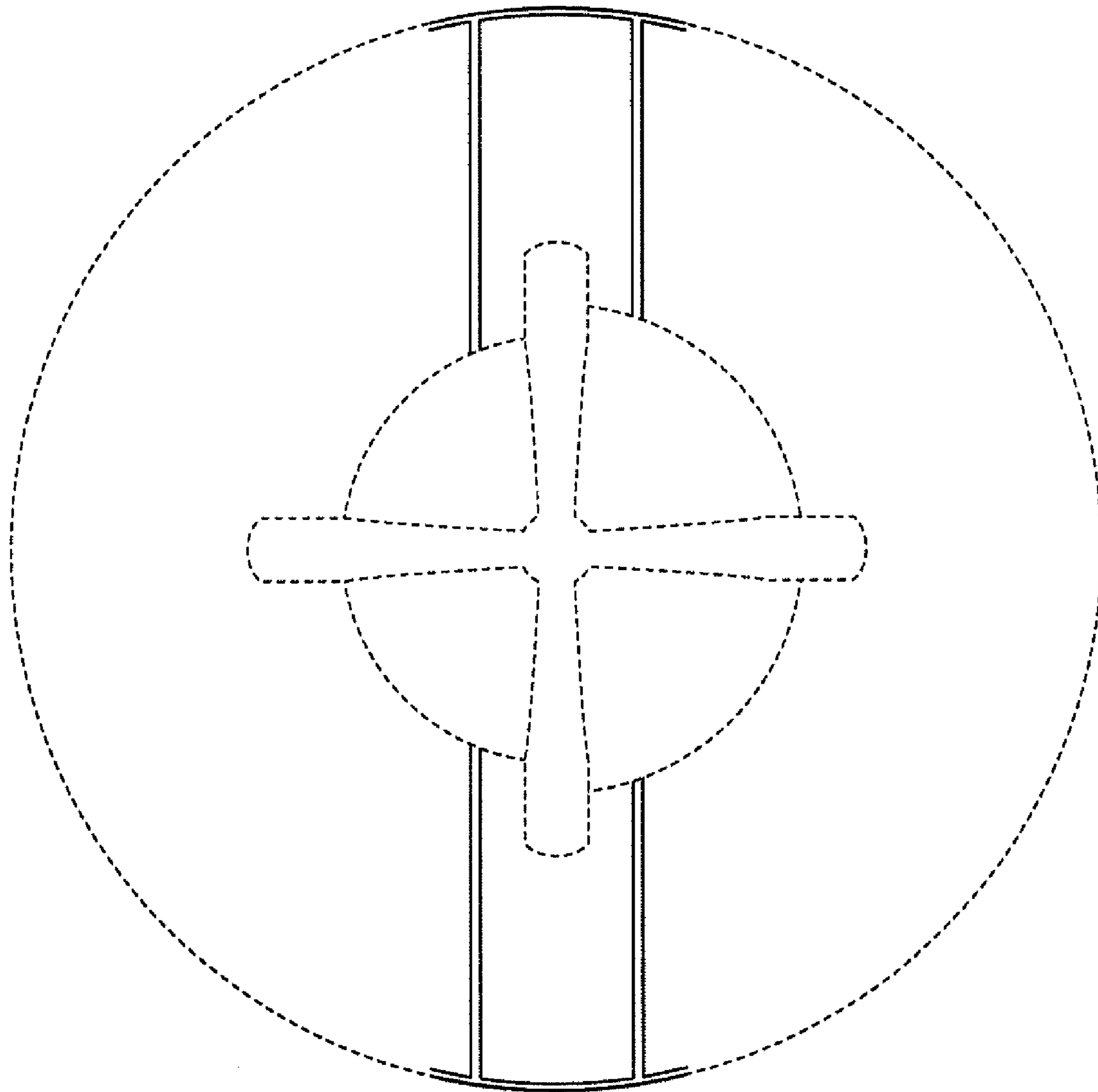


FIG. 3