



US00D574919S

(12) **United States Design Patent**  
**Mann**

(10) **Patent No.:** **US D574,919 S**

(45) **Date of Patent:** **\*\* \*Aug. 12, 2008**

(54) **FISHING LURE**

(76) **Inventor:** **Stephen F. Mann**, 2 Waccamaw Cir.,  
Greenville, SC (US) 29605

(\*) **Notice:** This patent is subject to a terminal disclaimer.

(\*\*) **Term:** **14 Years**

(21) **Appl. No.:** **29/273,412**

(22) **Filed:** **Mar. 5, 2007**

**Related U.S. Application Data**

(63) Continuation-in-part of application No. 29/251,741,  
filed on Jan. 12, 2006, now Pat. No. Des. 537,910.

(51) **LOC (8) Cl.** ..... **22-05**

(52) **U.S. Cl.** ..... **D22/132**

(58) **Field of Classification Search** ..... D22/126-133;  
43/42.31, 42.32, 42.35, 42.45, 42.47; D21/548-549  
See application file for complete search history.

(56) **References Cited**

**U.S. PATENT DOCUMENTS**

D406,311 S	3/1999	Rennick	.....	D22/132
D406,634 S	3/1999	Oelerich et al.	.....	D22/132
D417,902 S	12/1999	Nobili	.....	D22/132
D428,874 S	8/2000	White	.....	D21/549
D457,593 S *	5/2002	Addison	.....	D22/132
D496,090 S *	9/2004	Moody	.....	D22/132
D498,287 S *	11/2004	West	.....	D22/132

\* cited by examiner

*Primary Examiner*—Catherine R Oliver  
(74) *Attorney, Agent, or Firm*—J. Bennett Mullinax, LLC

(57) **CLAIM**

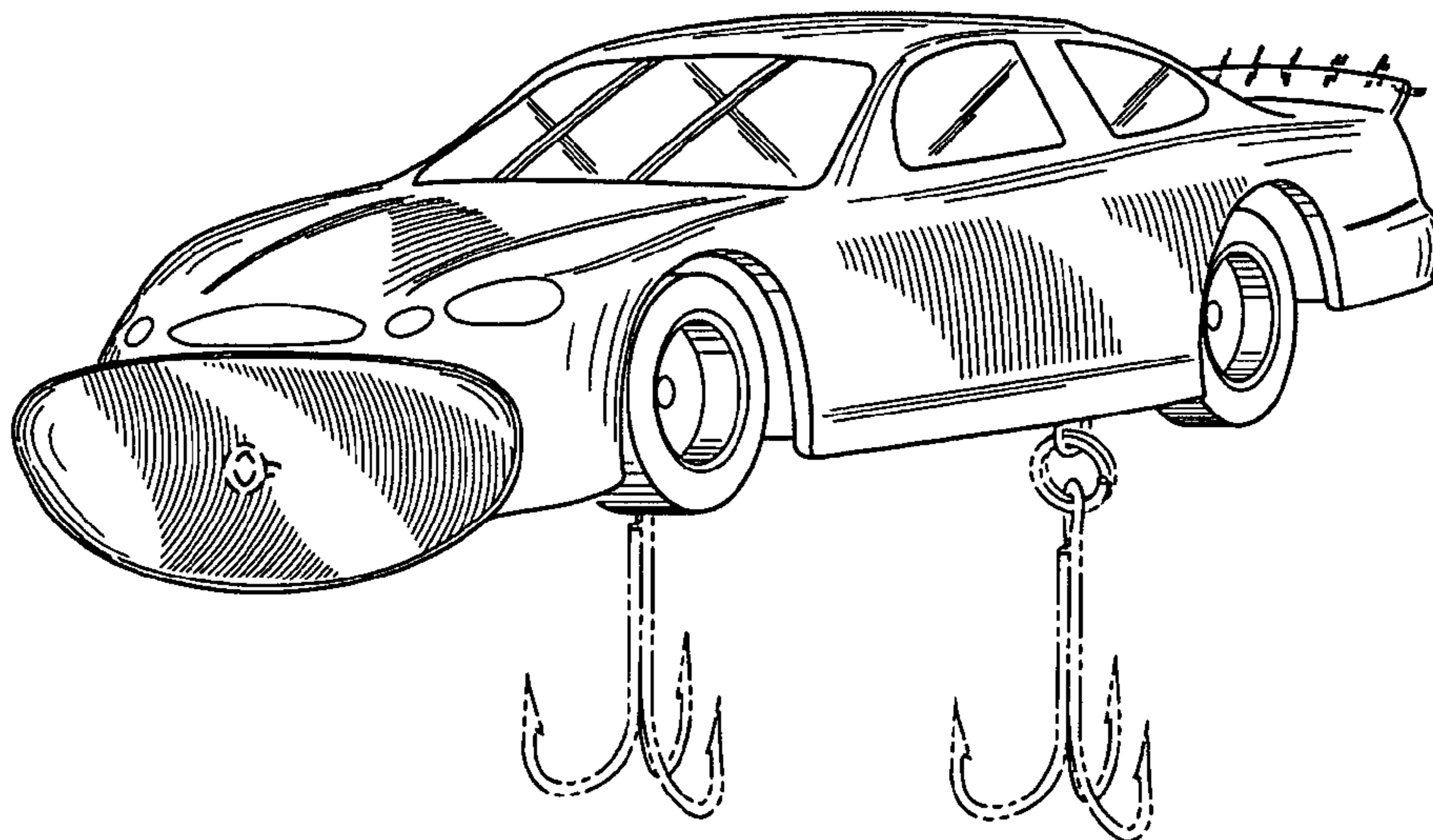
The ornamental design of a fishing lure, as shown and described.

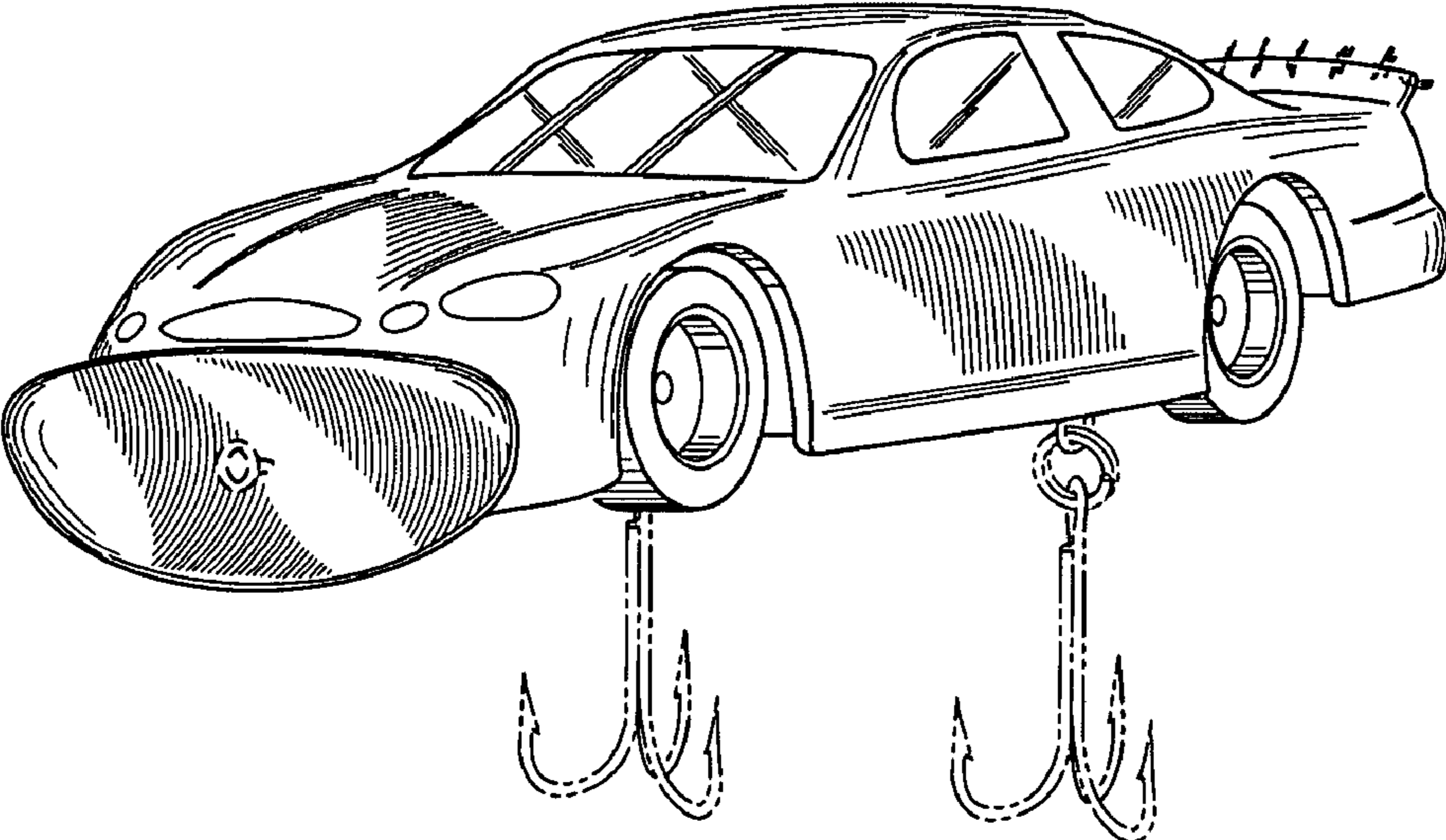
**DESCRIPTION**

FIG. 1 is a perspective view of the fishing lure;  
 FIG. 2 is a top plan view of the fishing lure;  
 FIG. 3 is a bottom plan view of the fishing lure;  
 FIG. 4 is a left side elevation view of the fishing lure;  
 FIG. 5 is a right side elevation view of the fishing lure;  
 FIG. 6 is a front plan view of the fishing lure;  
 FIG. 7 is a rear view of the fishing lure;  
 FIG. 8 is a perspective view of the second embodiment of the fishing lure;  
 FIG. 9 is a top plan view of the second embodiment of the fishing lure;  
 FIG. 10 is a bottom plan elevation view of the second embodiment of the fishing lure;  
 FIG. 11 is a left side elevation view of the second embodiment of the fishing lure;  
 FIG. 12 is a right side elevation view of the second embodiment of the fishing lure;  
 FIG. 13 is a front plan view of the second embodiment of the fishing lure; and,  
 FIG. 14 is a rear view of the second embodiment of the fishing lure.

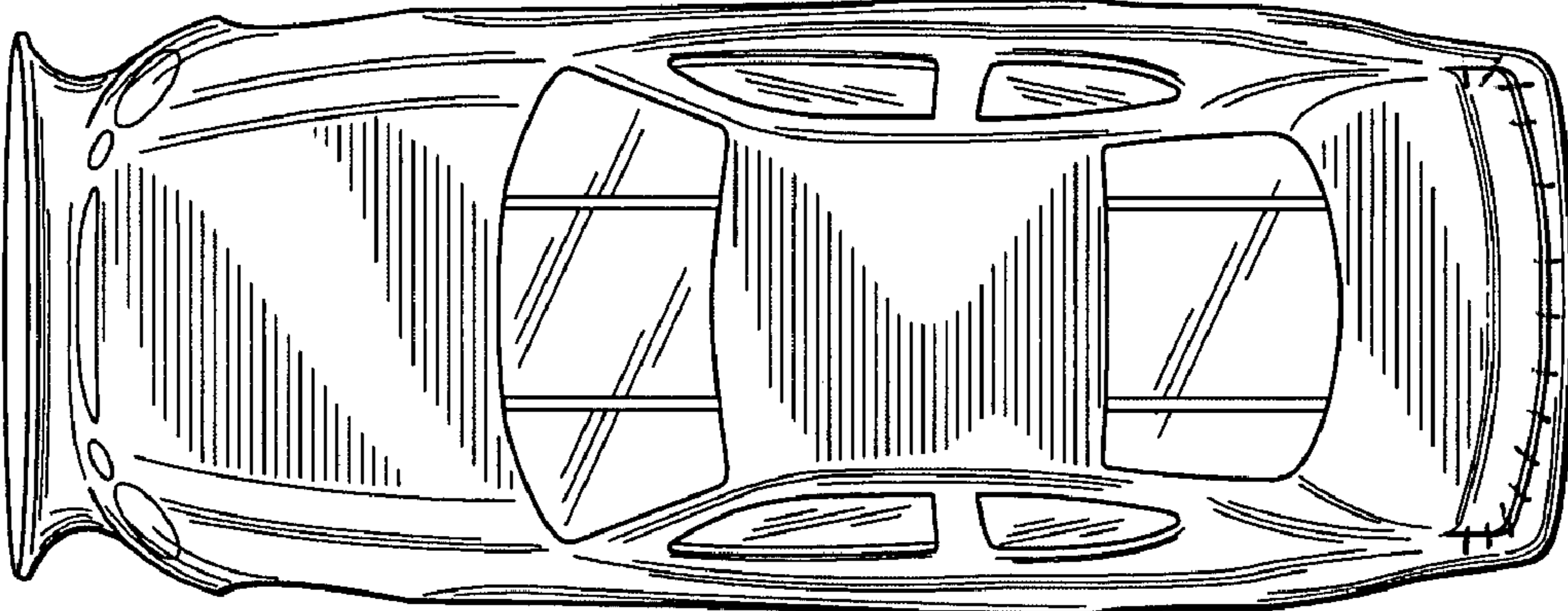
The broken lines in FIG. 1, FIG. 8, FIG. 10, and FIGS. 11 through 14, setting forth a hook and ring and the broken lines in FIGS. 1, 2, 4, 5, and 7 setting forth a rear spoiler are for illustrative purposes only and form no part of the claimed design.

**1 Claim, 6 Drawing Sheets**

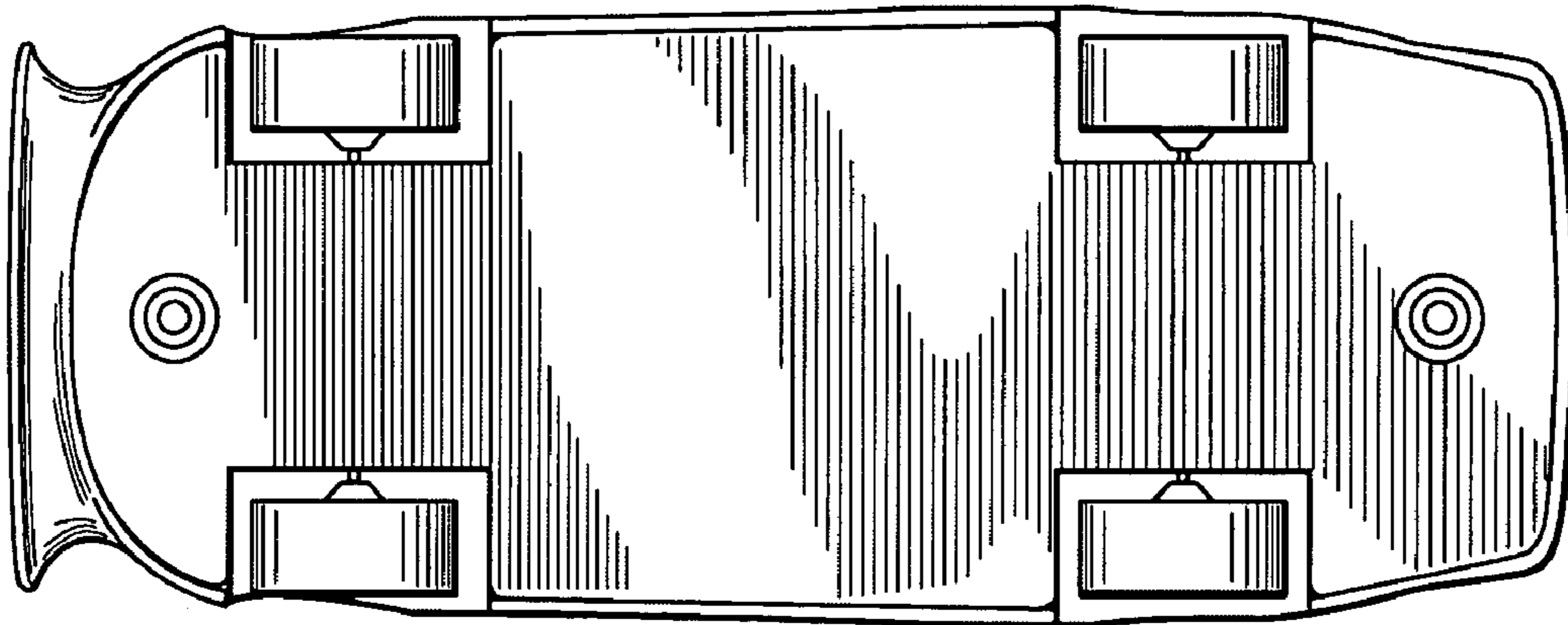




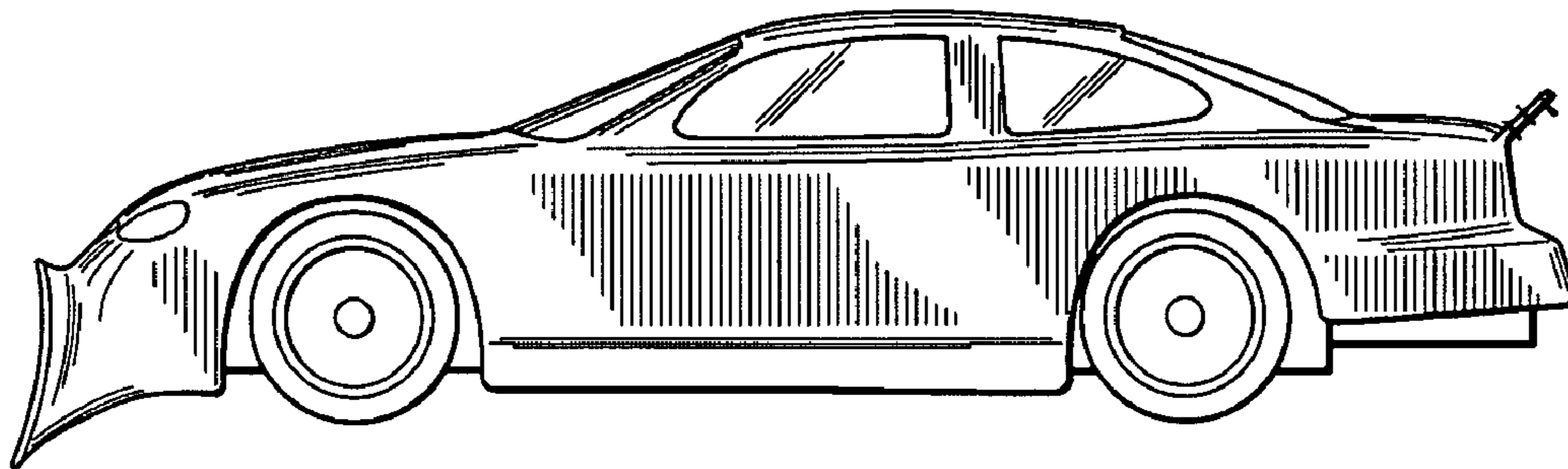
*Fig. 1*



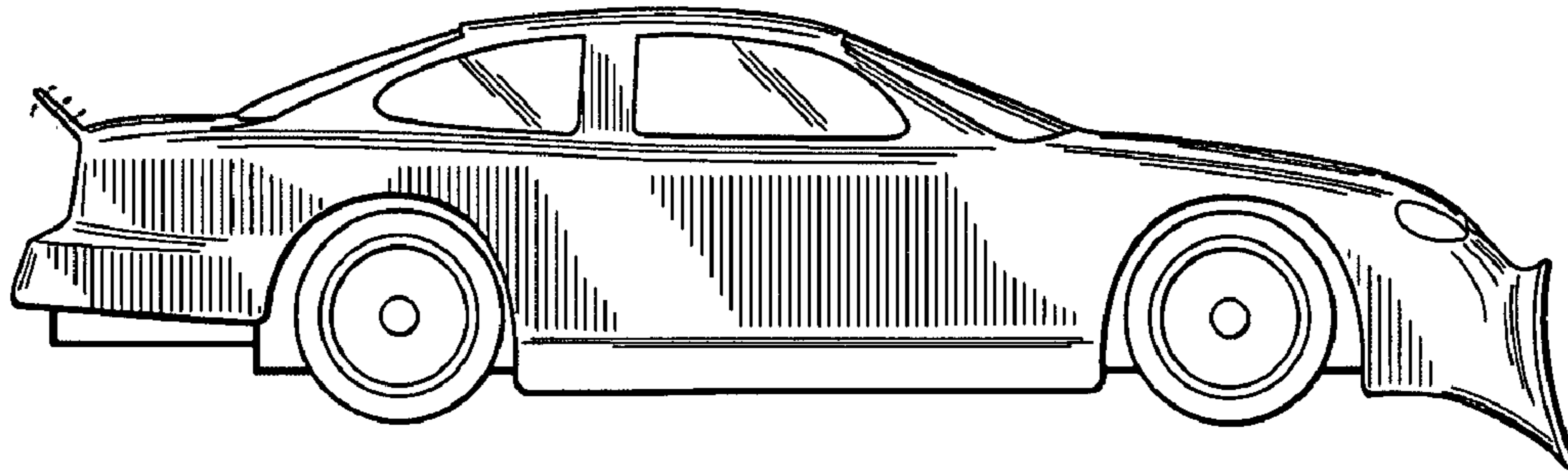
*Fig. 2*



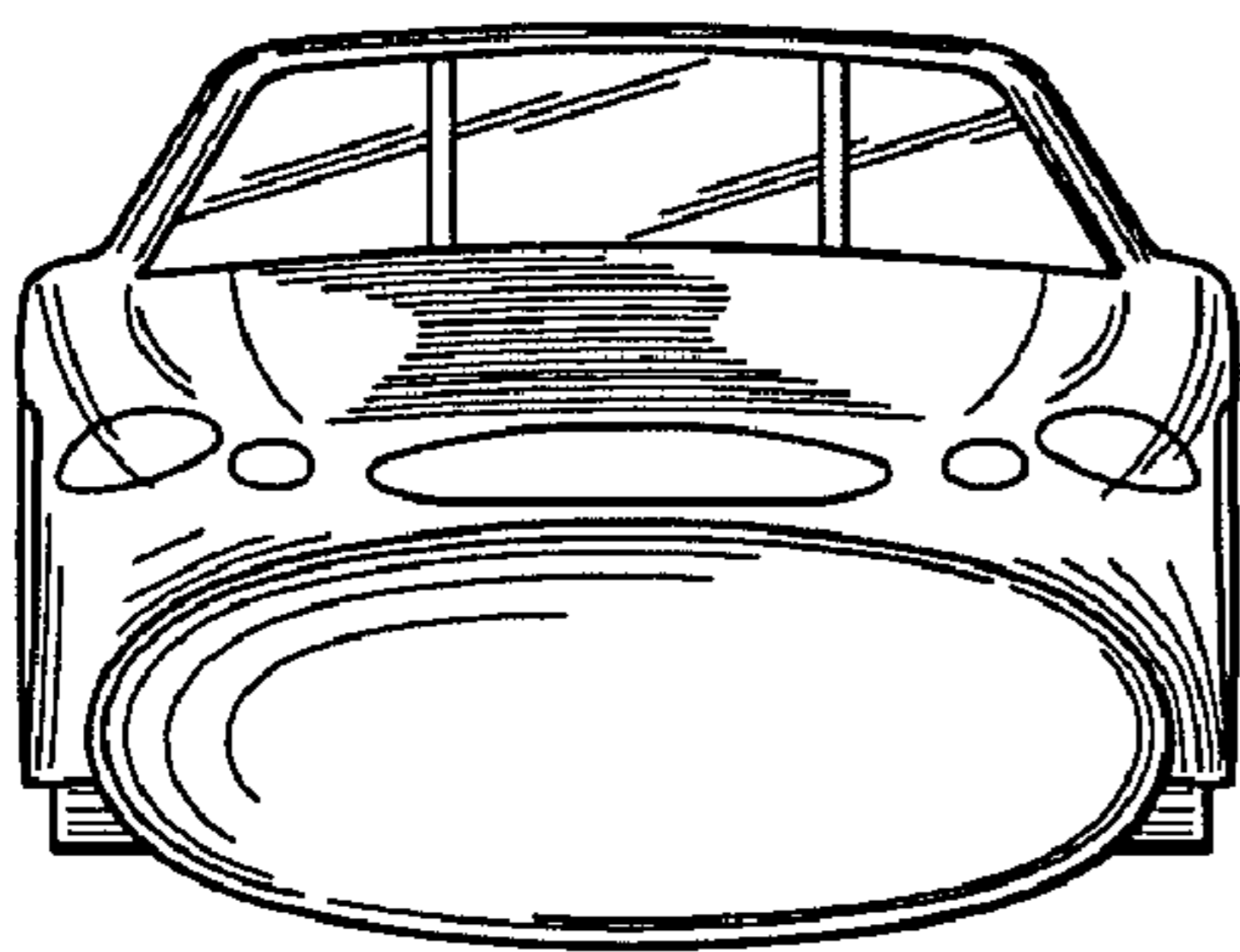
*Fig. 3*



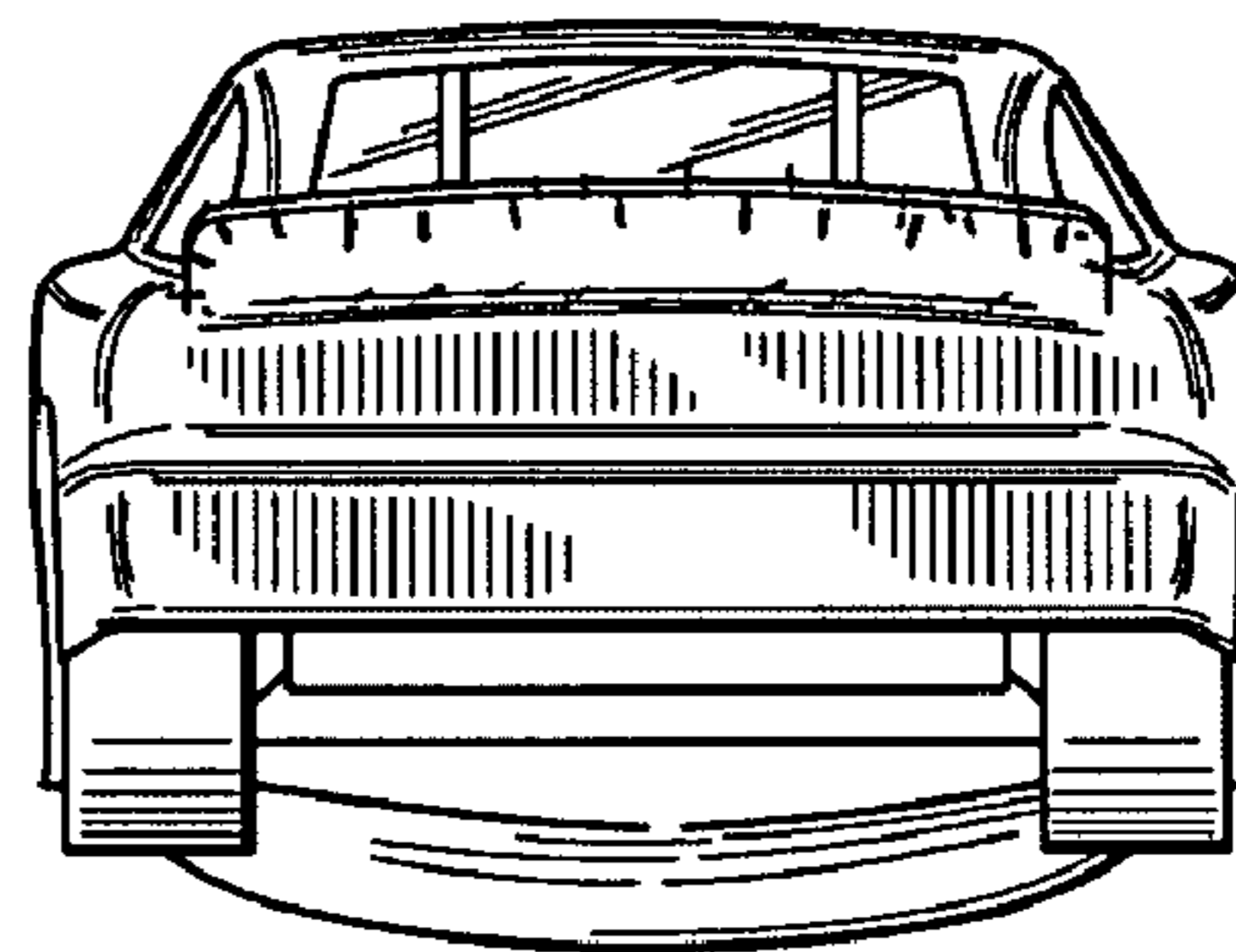
*Fig. 4*



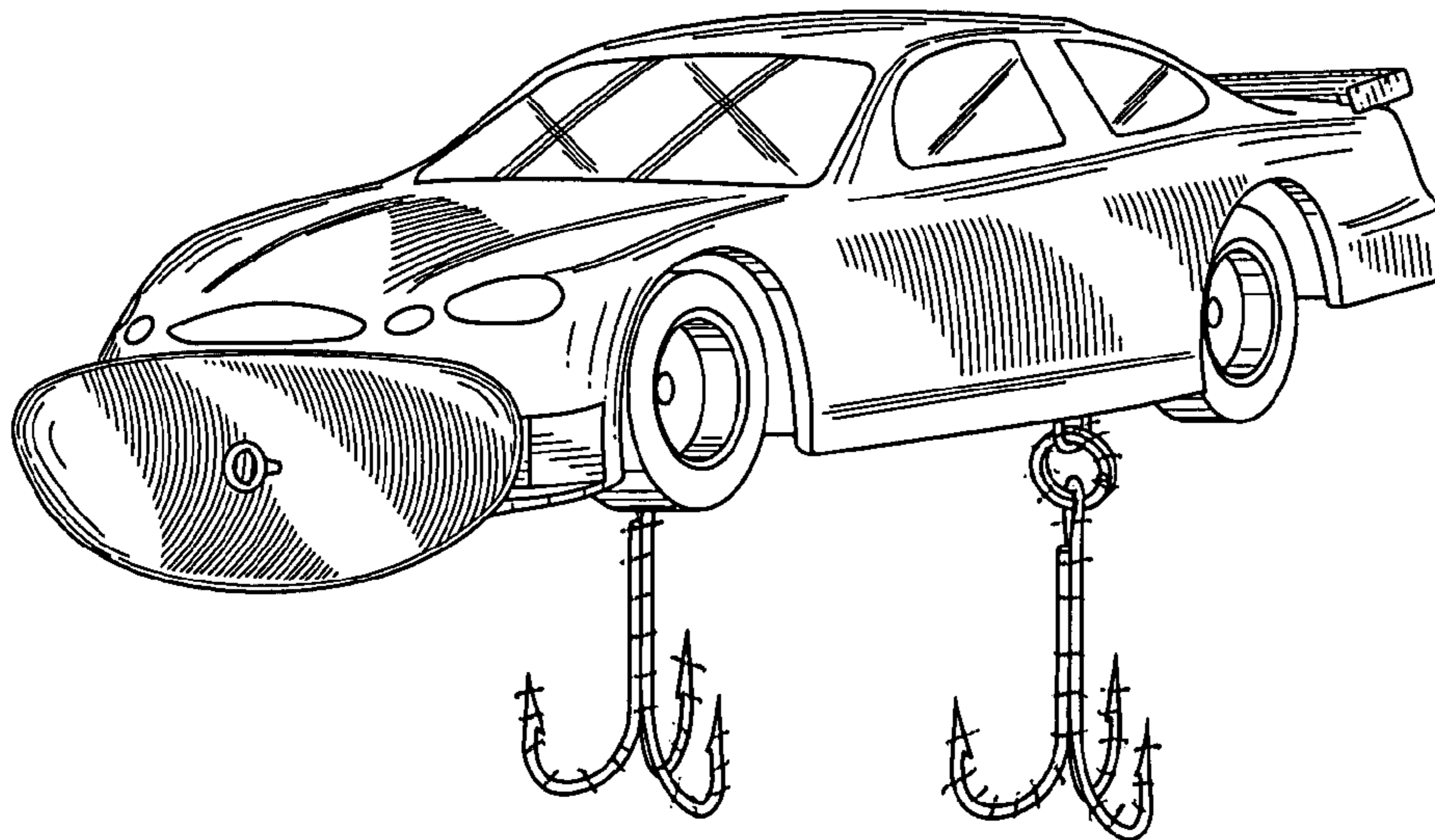
*Fig. 5*



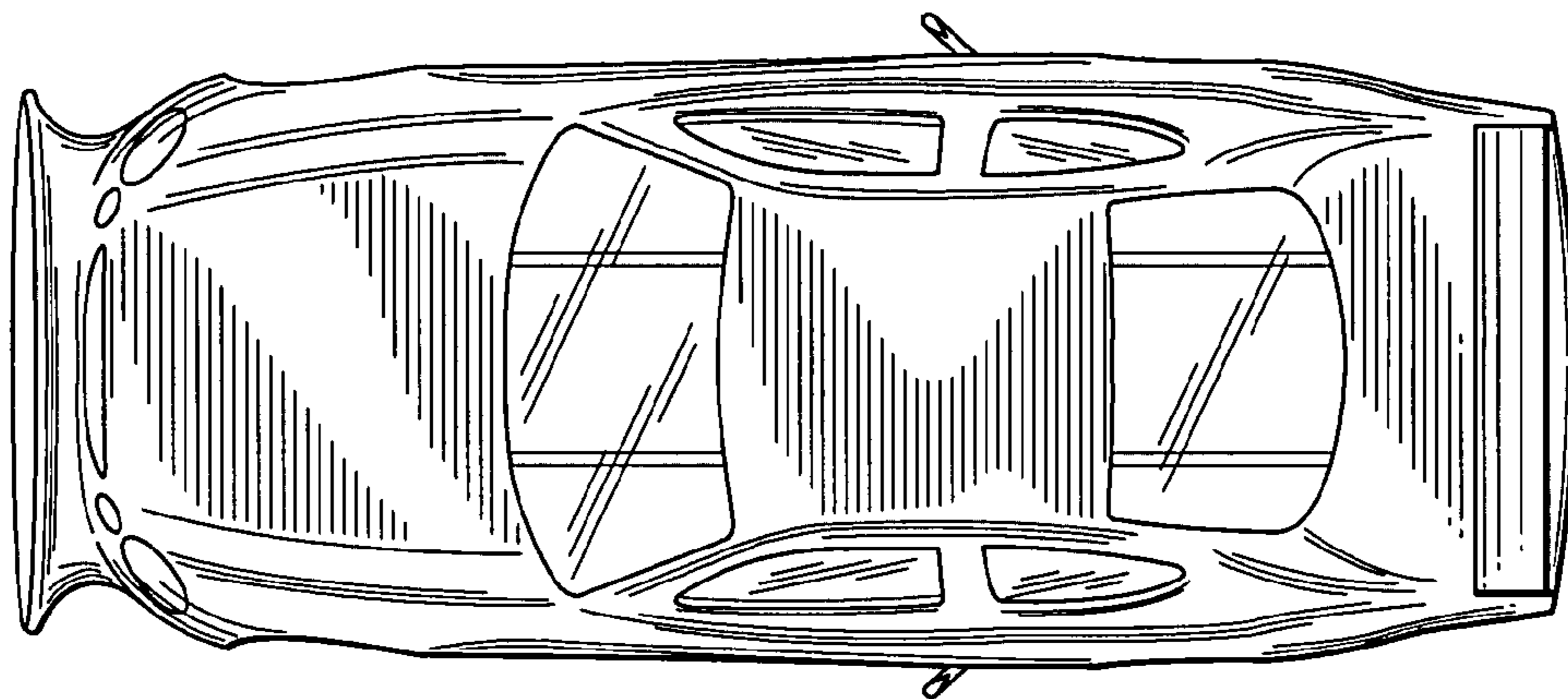
*Fig. 6*



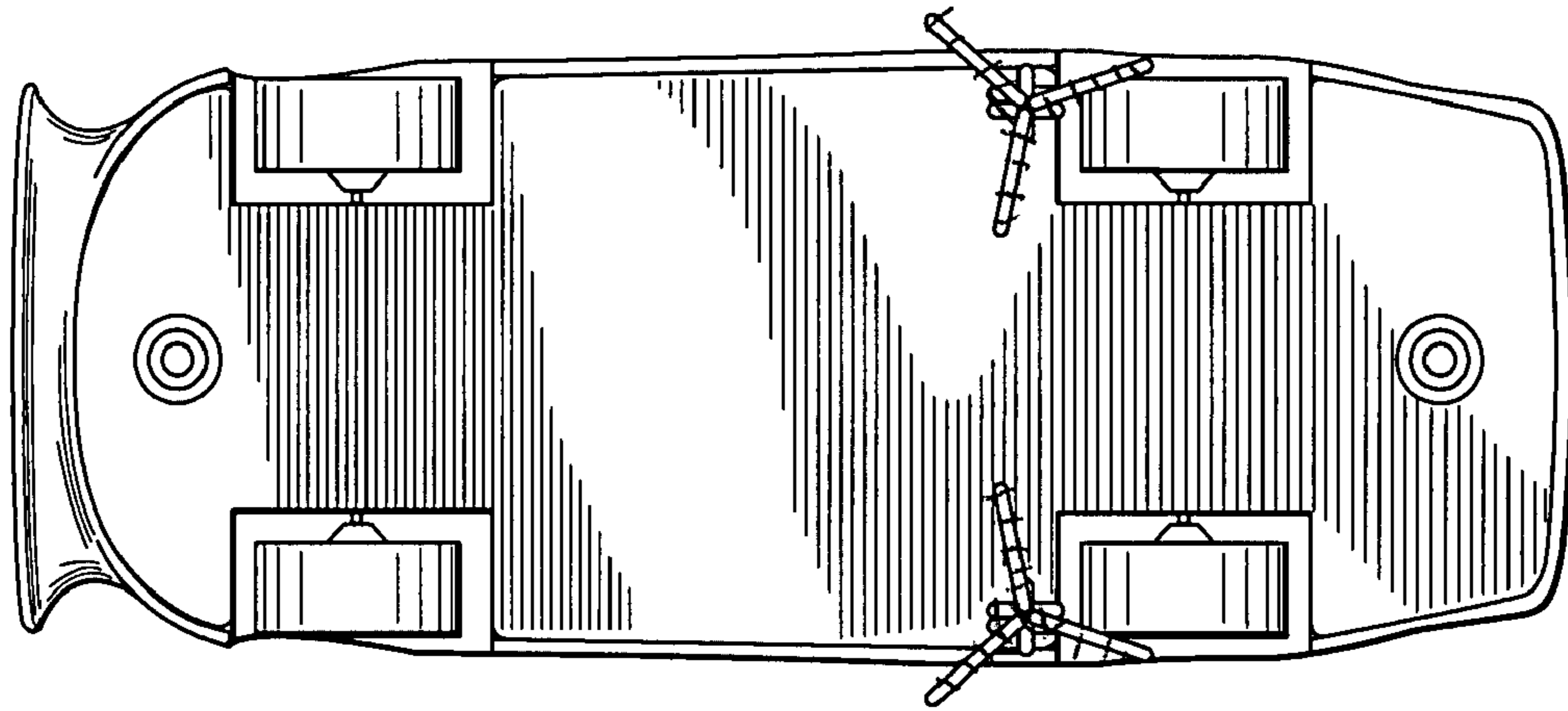
*Fig. 7*



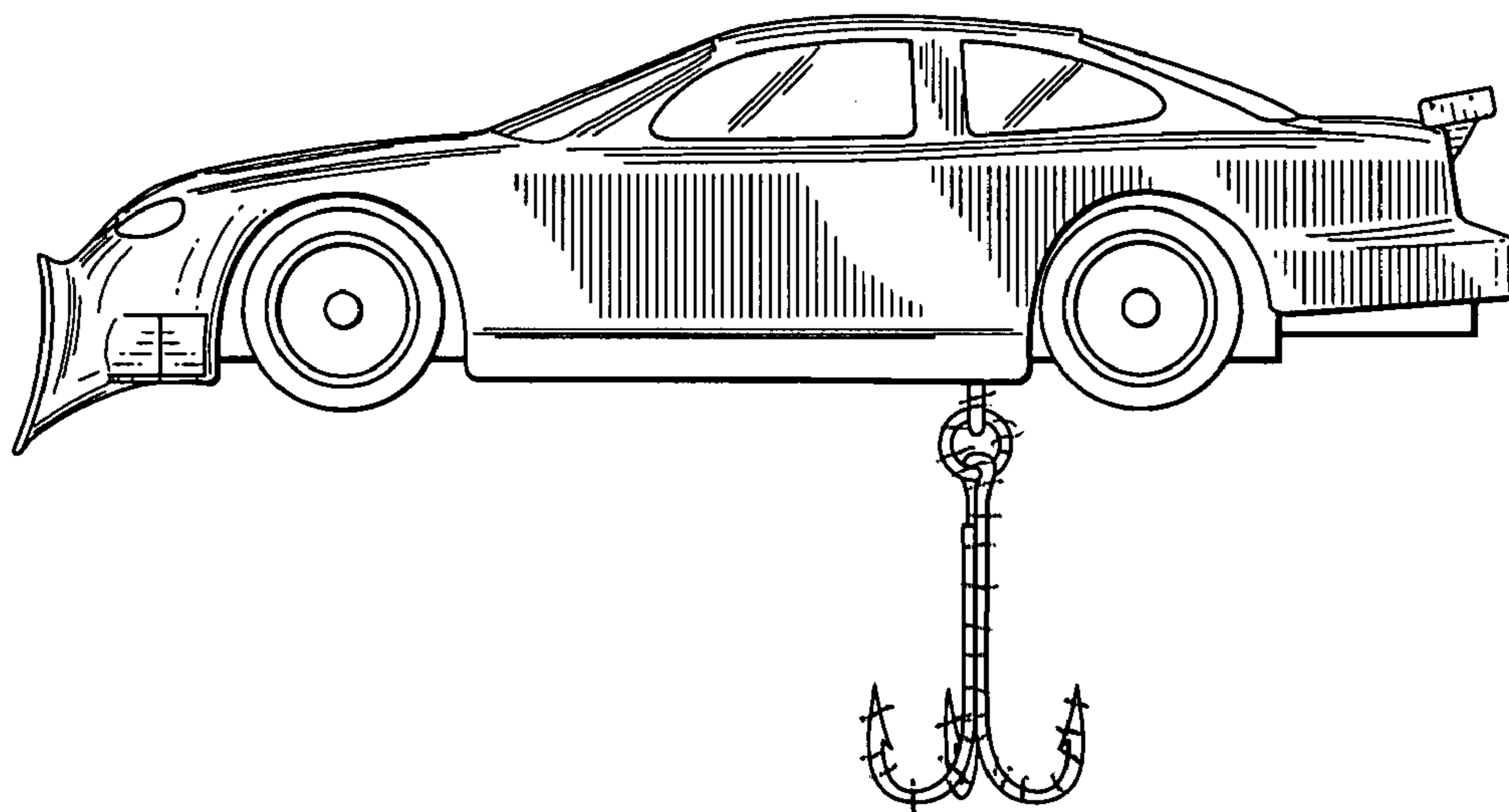
*Fig. 8*



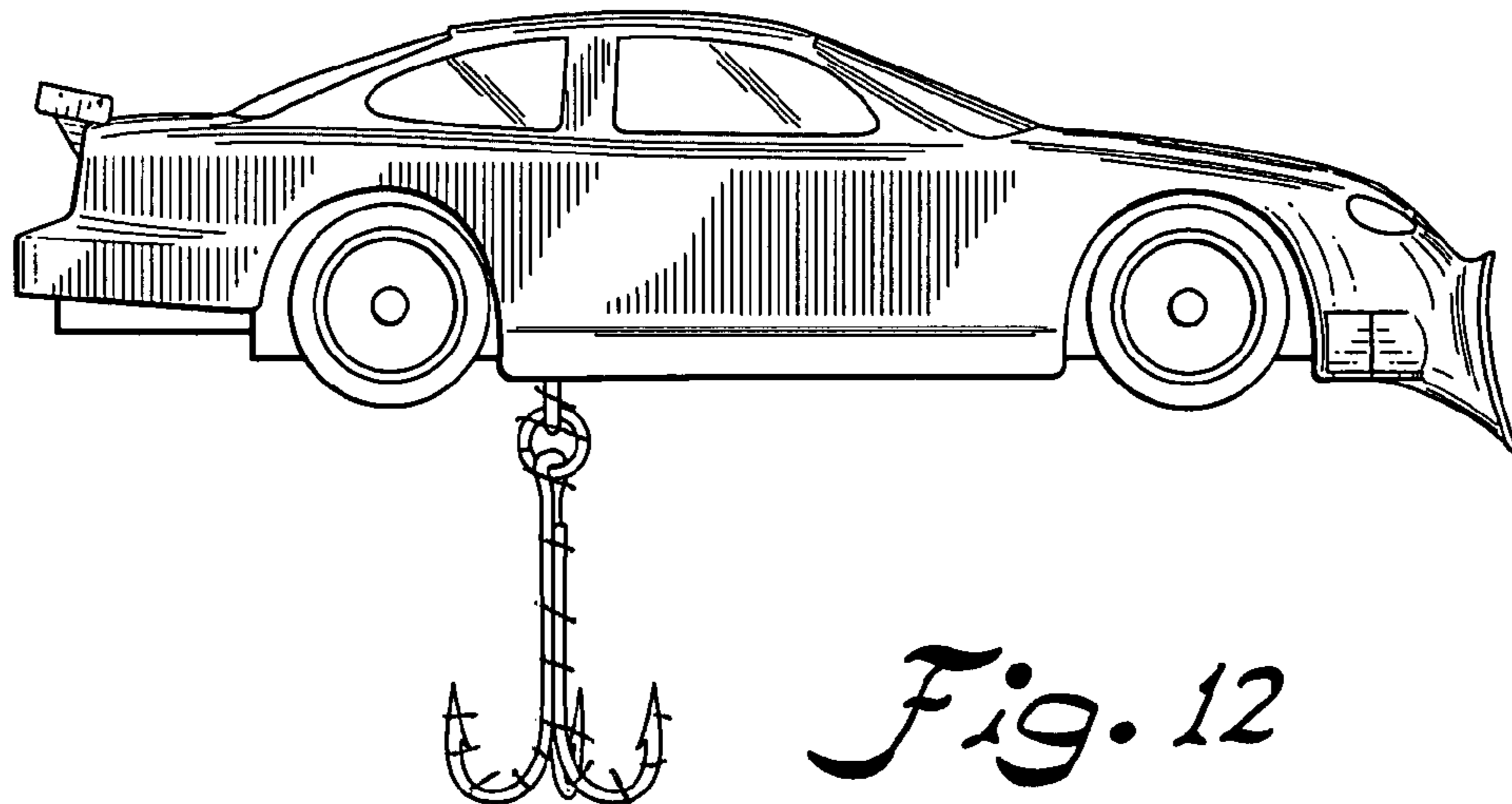
*Fig. 9*



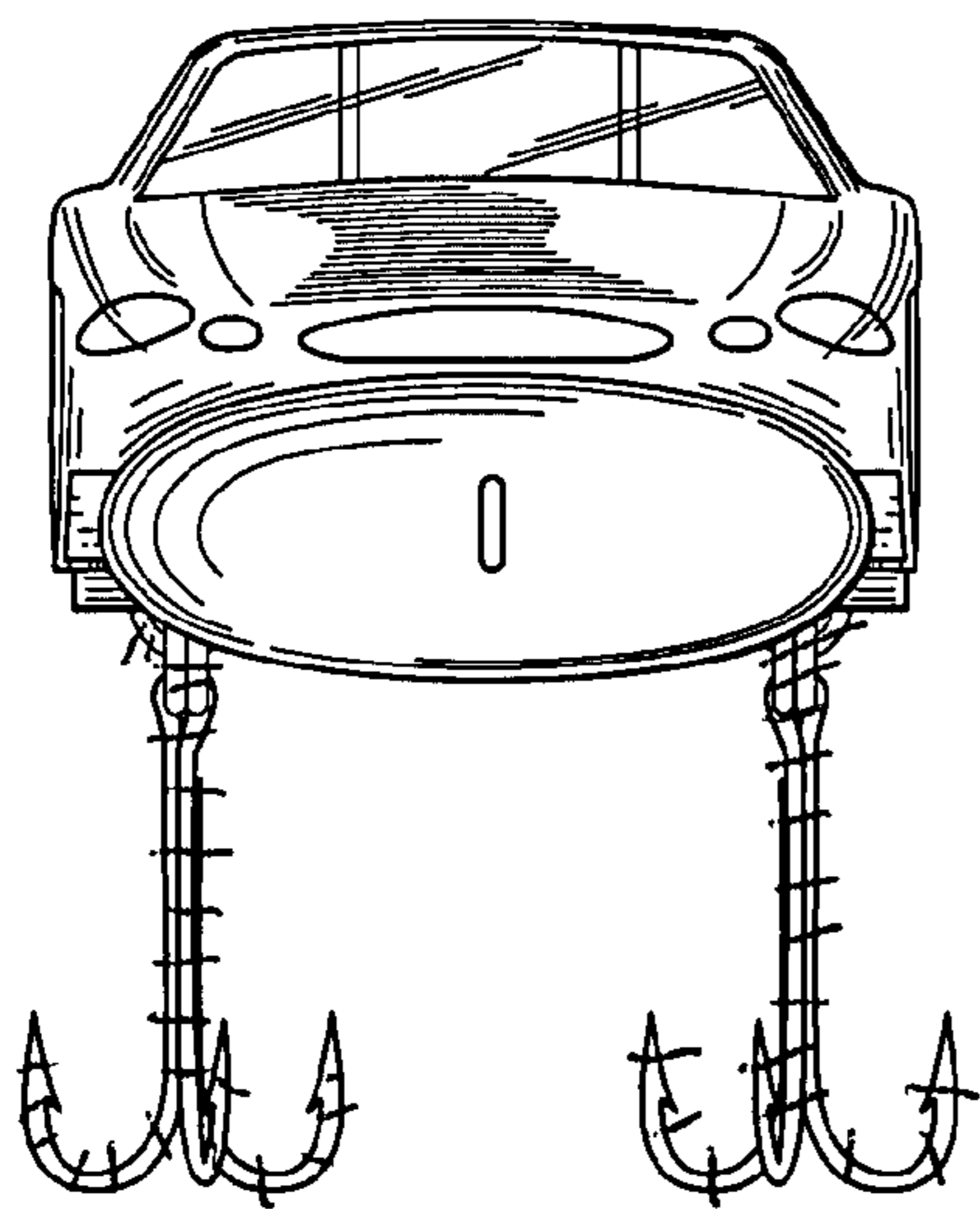
*Fig. 10*



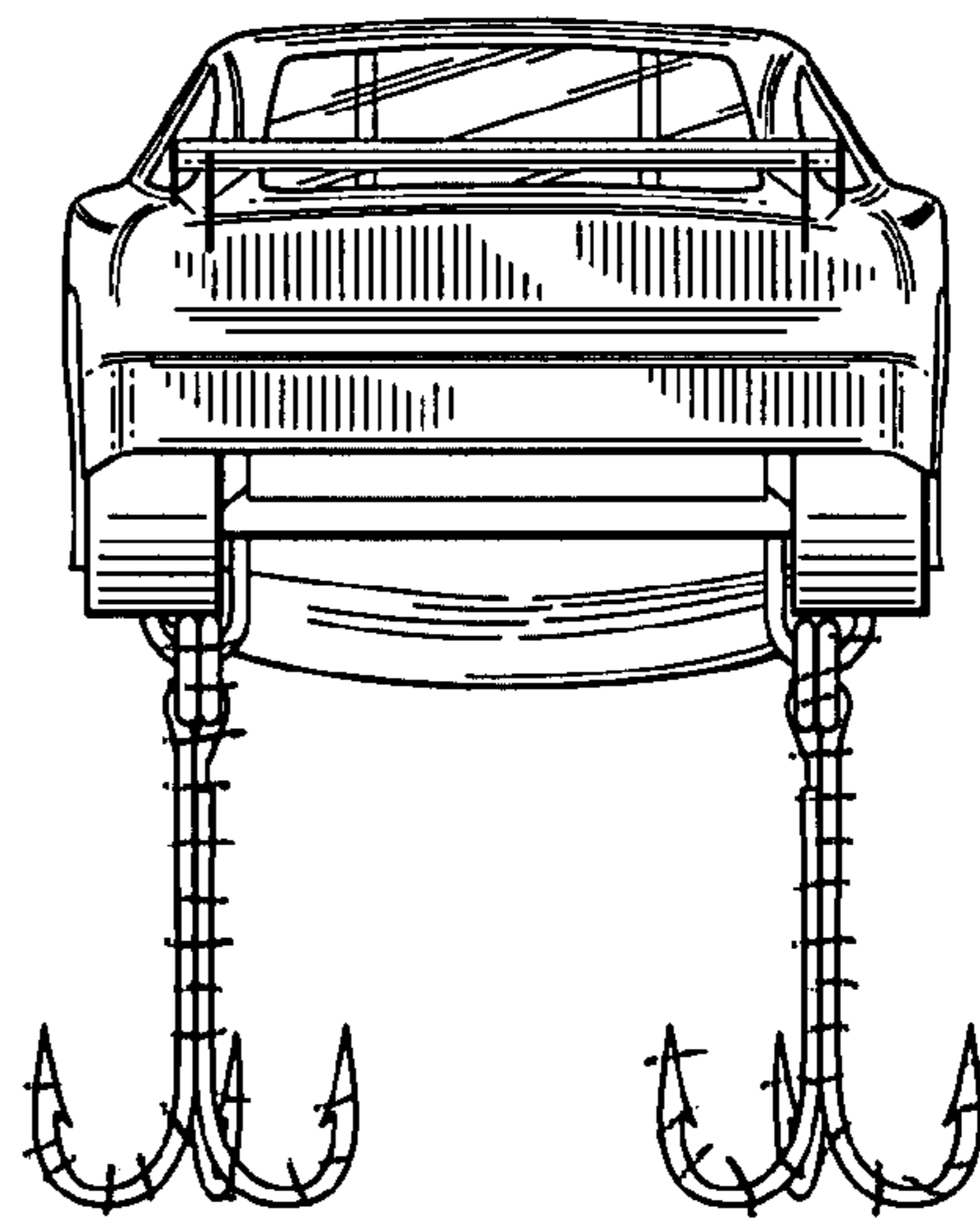
*Fig. 11*



*Fig. 12*



*Fig. 13*



*Fig. 14*