



US00D574917S

(12) **United States Design Patent**  
**Parham**

(10) **Patent No.:** **US D574,917 S**

(45) **Date of Patent:** **\*\* Aug. 12, 2008**

(54) **WATER FLOTATION DEVICE**

(76) Inventor: **Sharon Parham**, 1444 Limerick Ct.,  
Roanoke, TX (US) 76262

(\*\*) Term: **14 Years**

(21) Appl. No.: **29/298,747**

(22) Filed: **Dec. 12, 2007**

(51) **LOC (8) Cl.** ..... **21-02**

(52) **U.S. Cl.** ..... **D21/809; D21/803**

(58) **Field of Classification Search** ..... D21/769-770,  
D21/801, 803, 809; D6/392, 595, 596, 601,  
D6/604, 605; D12/5, 6, 316, 128; 472/128-129;  
114/253, 345, 346; 441/35, 40-42, 66, 129-132;  
D24/123, 183, 189; 5/630, 652, 653  
See application file for complete search history.

(56) **References Cited**

**U.S. PATENT DOCUMENTS**

D244,315 S *	5/1977	Havstad	.....	D24/183
D280,005 S *	8/1985	Jones	.....	D21/805
D310,700 S *	9/1990	Jones	.....	D21/805
4,986,786 A	1/1991	Helt et al.		
D319,679 S	9/1991	Haley		
D344,120 S *	2/1994	Helt et al.	.....	D21/804
5,443,409 A	8/1995	Adamson		
D363,968 S *	11/1995	Koellner	.....	D21/678
5,516,320 A *	5/1996	LaPlant	.....	441/106
5,562,514 A	10/1996	Rowe		
5,685,753 A	11/1997	Canela et al.		

D387,838 S	12/1997	Canela et al.		
5,921,898 A *	7/1999	McDonald	.....	482/111
6,692,322 B1	2/2004	Heatherly		
6,712,741 B1	3/2004	McDonald		
6,786,786 B1	9/2004	Davis		
7,125,301 B2 *	10/2006	Stenglein et al.	.....	441/120
2007/0072499 A1	3/2007	Hennings, III		

\* cited by examiner

*Primary Examiner*—Janice E. Seeger

*Assistant Examiner*—Zenita I Bennett

(74) *Attorney, Agent, or Firm*—Maxey Law Offices, PLLC;  
Stephen Lewellyn

(57) **CLAIM**

The ornamental design for a water flotation device, as shown and described.

**DESCRIPTION**

FIG. 1 is a top plan view of the water flotation device in accordance with my invention;

FIG. 2 is a bottom plan view of FIG. 1;

FIG. 3 is a first side elevation view of FIG. 1;

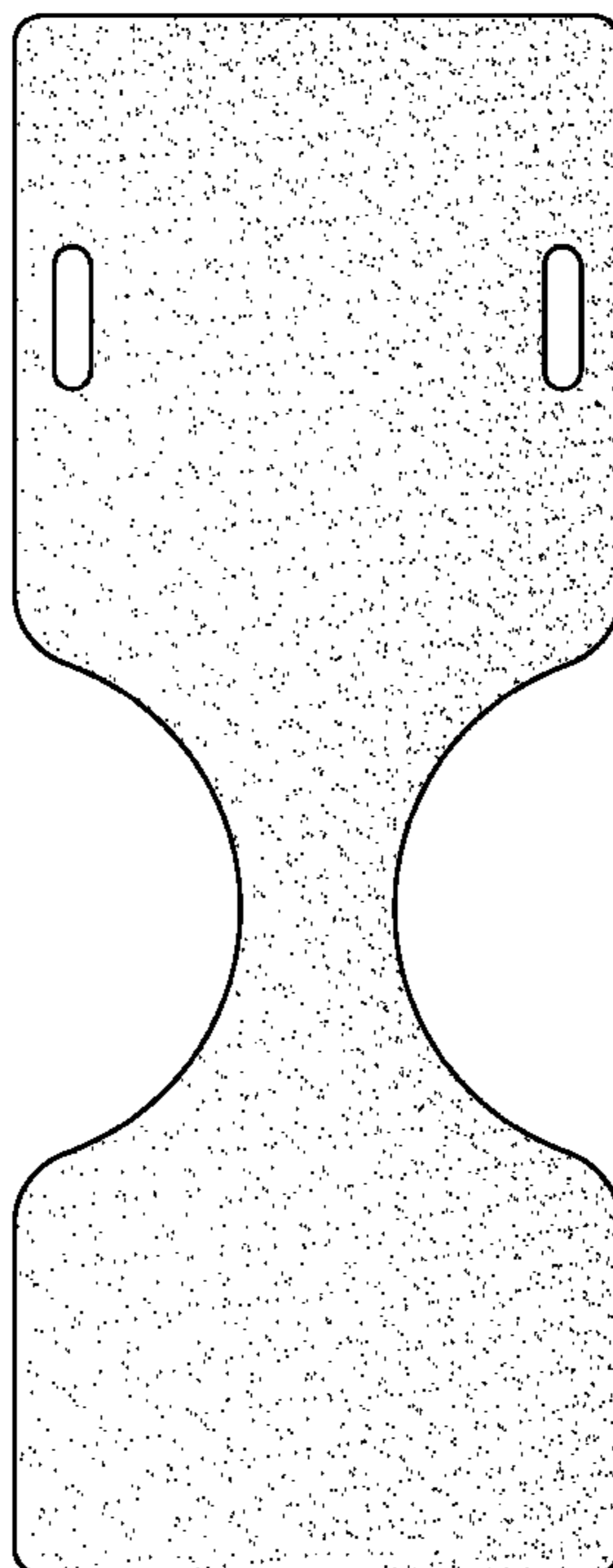
FIG. 4 is a second side elevation view of FIG. 1;

FIG. 5 is a front elevation view of FIG. 1;

FIG. 6 is a back elevation view of FIG. 1; and,

FIG. 7 is a perspective view of the water flotation device of FIG. 1.

**1 Claim, 6 Drawing Sheets**



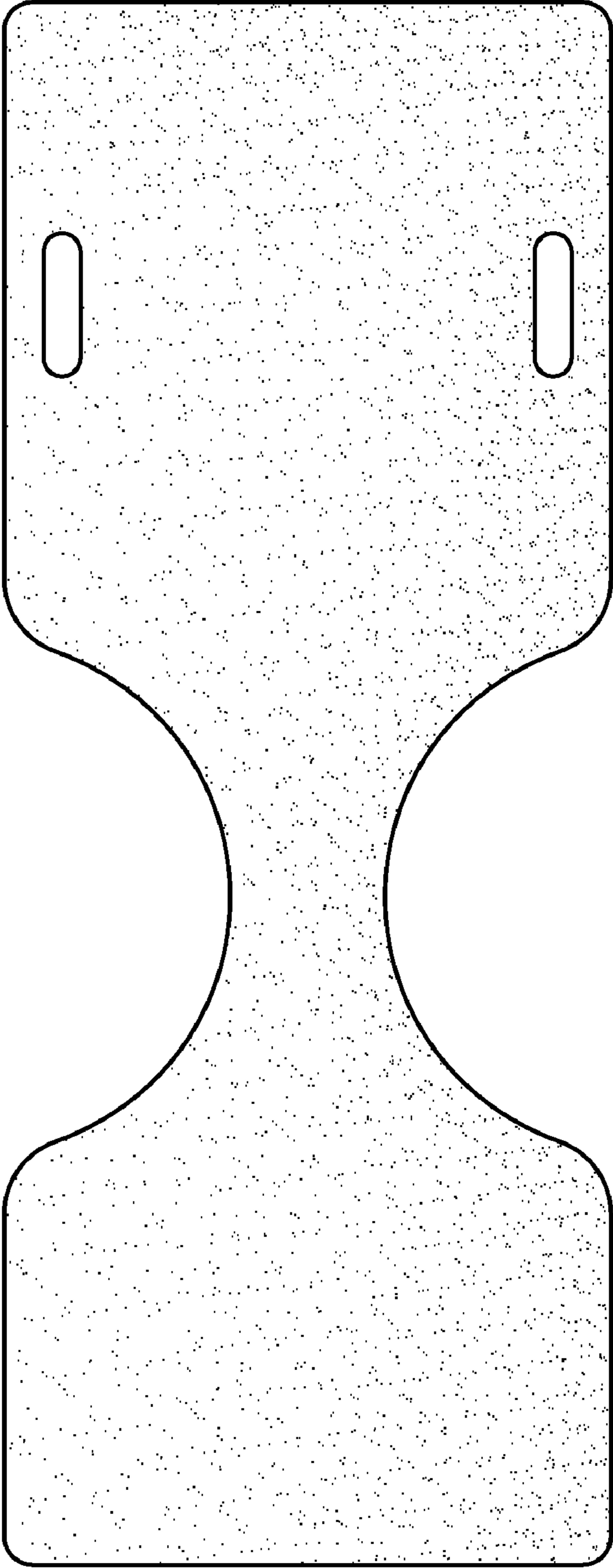


FIG. 1

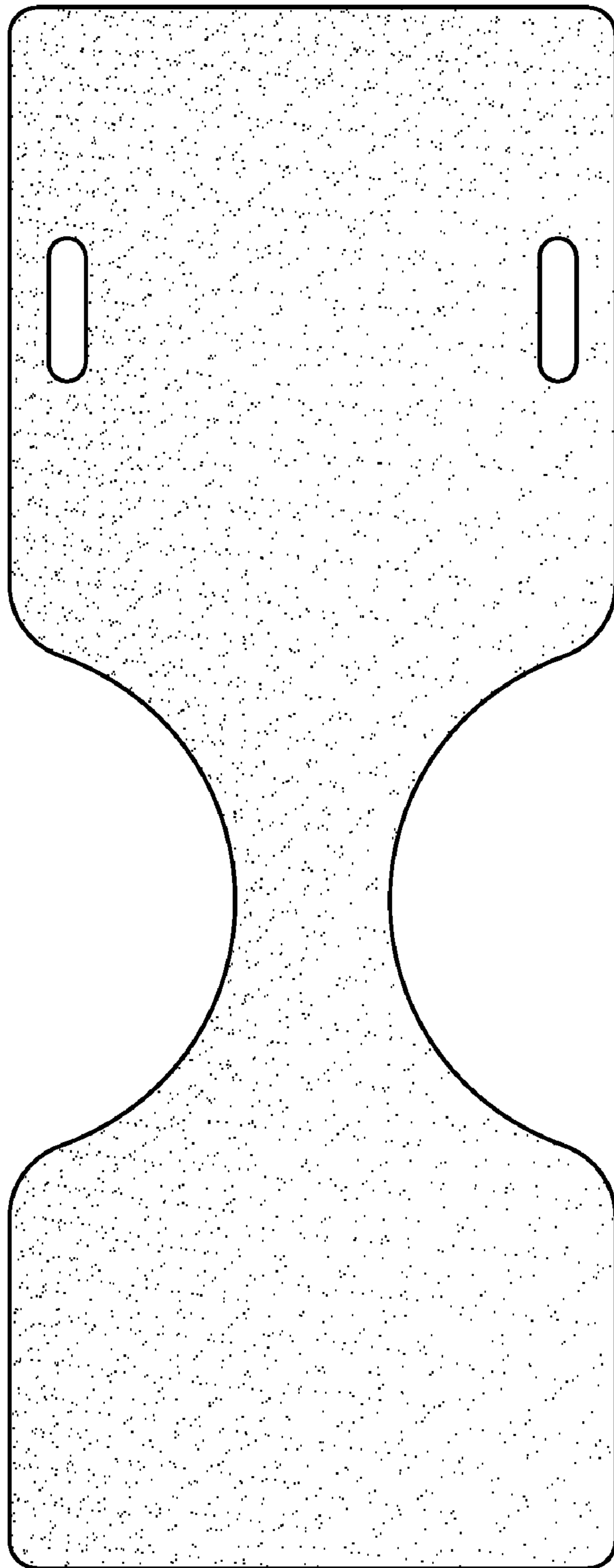


FIG. 2

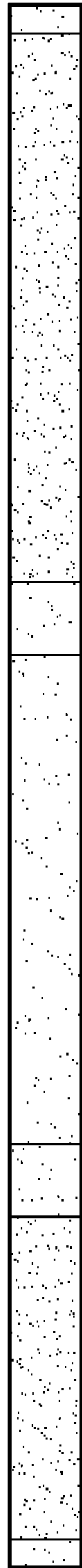


FIG. 3



FIG. 4



FIG. 5



**FIG. 6**

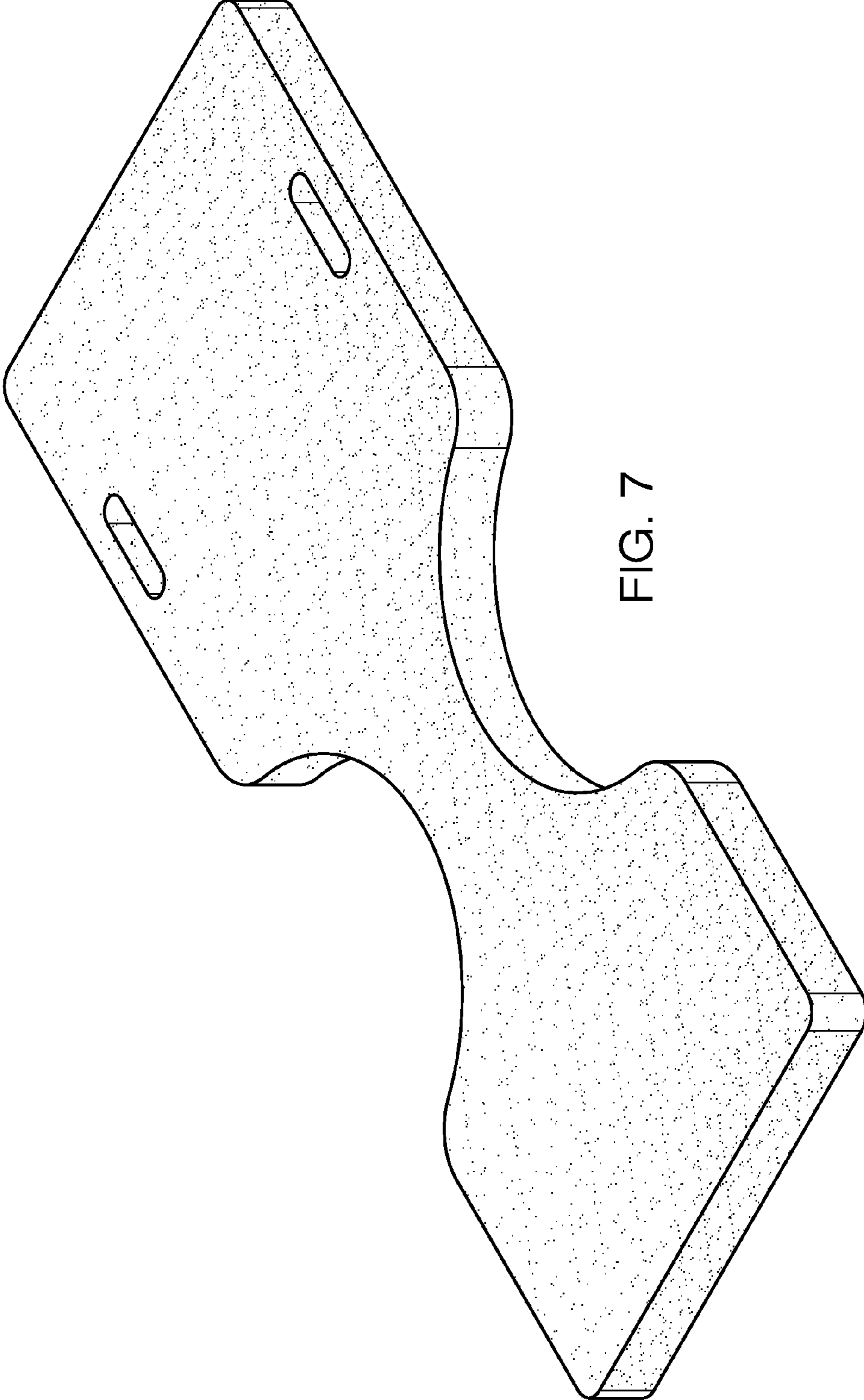


FIG. 7