



US00D574916S

(12) **United States Design Patent**  
**Ford**

(10) **Patent No.:** **US D574,916 S**

(45) **Date of Patent:** **\*\* Aug. 12, 2008**

(54) **GOLF TRAINING AID**

(76) **Inventor:** **David D. Ford**, 515 Center St., Hanover,  
MA (US) 02339

(\*\*) **Term:** **14 Years**

(21) **Appl. No.:** **29/289,234**

(22) **Filed:** **Jul. 12, 2007**

(51) **LOC (8) Cl.** ..... **21-02**

(52) **U.S. Cl.** ..... **D21/791**

(58) **Field of Classification Search** ..... D21/789,  
D21/791; 473/277, 272, 273, 452, 264, 257,  
473/271, 261, 258, 266

See application file for complete search history.

6,575,844	B1	6/2003	Gray	
6,843,730	B1	1/2005	Bellagamba	
6,932,712	B2 *	8/2005	Cardosi	473/261
6,988,957	B2 *	1/2006	Bender	473/266
7,066,828	B2	6/2006	Lee et al.	
7,150,683	B2 *	12/2006	Bender	473/266
2006/0121999	A1	6/2006	Bender	
2007/0015598	A1	1/2007	Lloyd	

\* cited by examiner

*Primary Examiner*—Mitchell I Siegel

(74) *Attorney, Agent, or Firm*—John P. McGonagle

(57) **CLAIM**

The ornamental design for a golf training aid, as shown and described.

(56) **References Cited**

U.S. PATENT DOCUMENTS

3,623,733	A	11/1971	Cavanaugh	
4,659,084	A	4/1987	Vuick	
4,758,001	A	7/1988	Otting et al.	
4,993,716	A	2/1991	Waller	
4,998,731	A *	3/1991	Bowen	473/271
5,255,921	A	10/1993	Spence	
5,433,445	A *	7/1995	Melancon	473/261
5,456,470	A	10/1995	Scheurer	
5,591,090	A	1/1997	Kauffman, Jr.	
5,707,300	A	1/1998	May et al.	
5,762,565	A	6/1998	Milam et al.	
5,769,732	A *	6/1998	O'Neal	473/258
5,830,079	A	11/1998	Hudson	
6,024,656	A	2/2000	Lane	
6,174,270	B1	1/2001	Dagenais	
6,497,627	B2 *	12/2002	Collins	473/264
6,551,196	B1	4/2003	Kossnar et al.	

**DESCRIPTION**

FIG. 1 is a front perspective view of a golf training aid embodying my new design, wherein a view of a golfer is shown in broken lines for illustrative purposes only and forms no part of the claimed design;

FIG. 2 is a front perspective view thereof, wherein another view of a golfer is shown in broken lines for illustrative purposes only and forms no part of the claimed design;

FIG. 3 is a left side view thereof;

FIG. 4 is a rear view thereof;

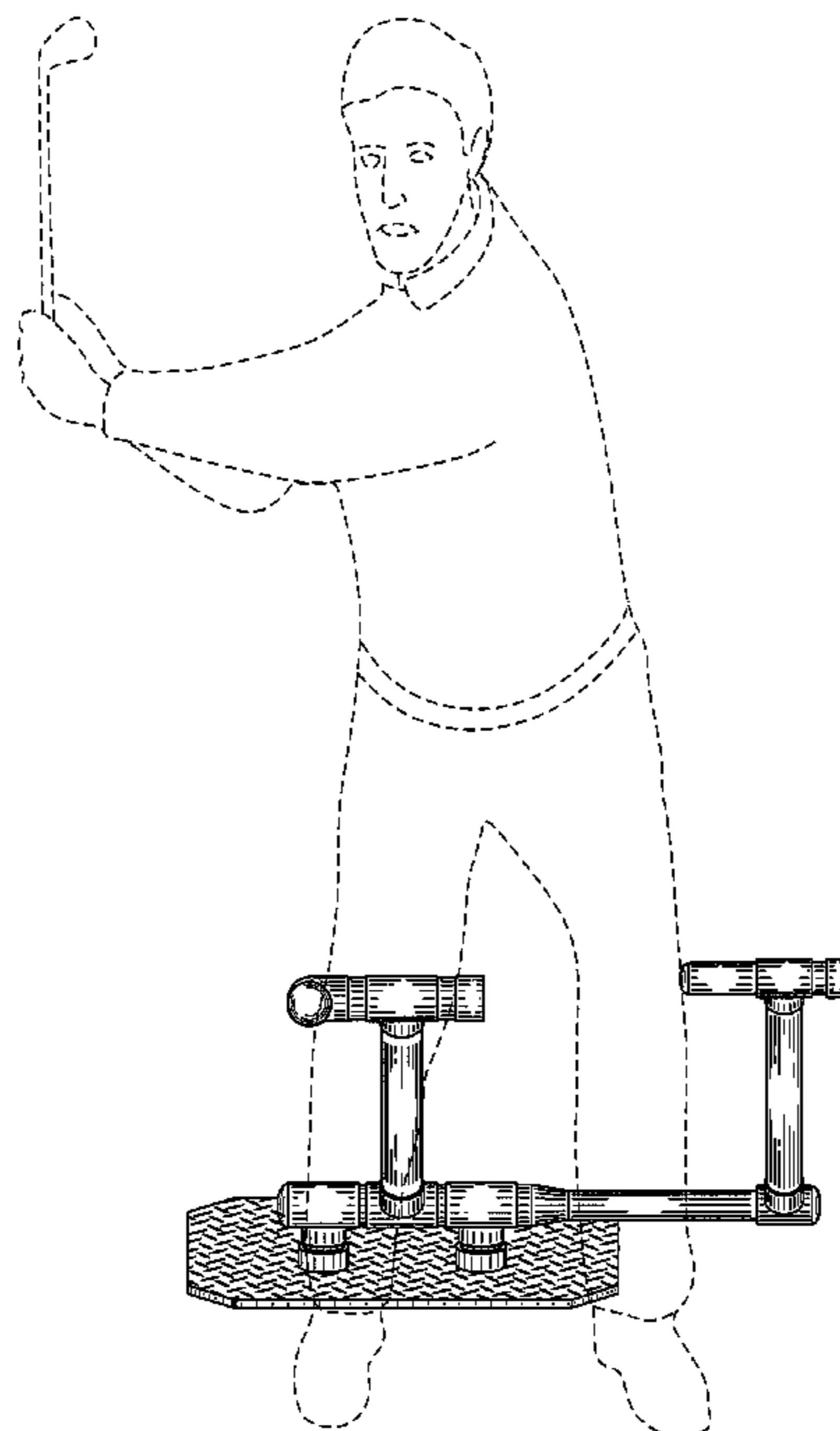
FIG. 5 is a front view thereof;

FIG. 6 is a right side view thereof;

FIG. 7 is a top view thereof; and,

FIG. 8 is a bottom view thereof.

**1 Claim, 4 Drawing Sheets**



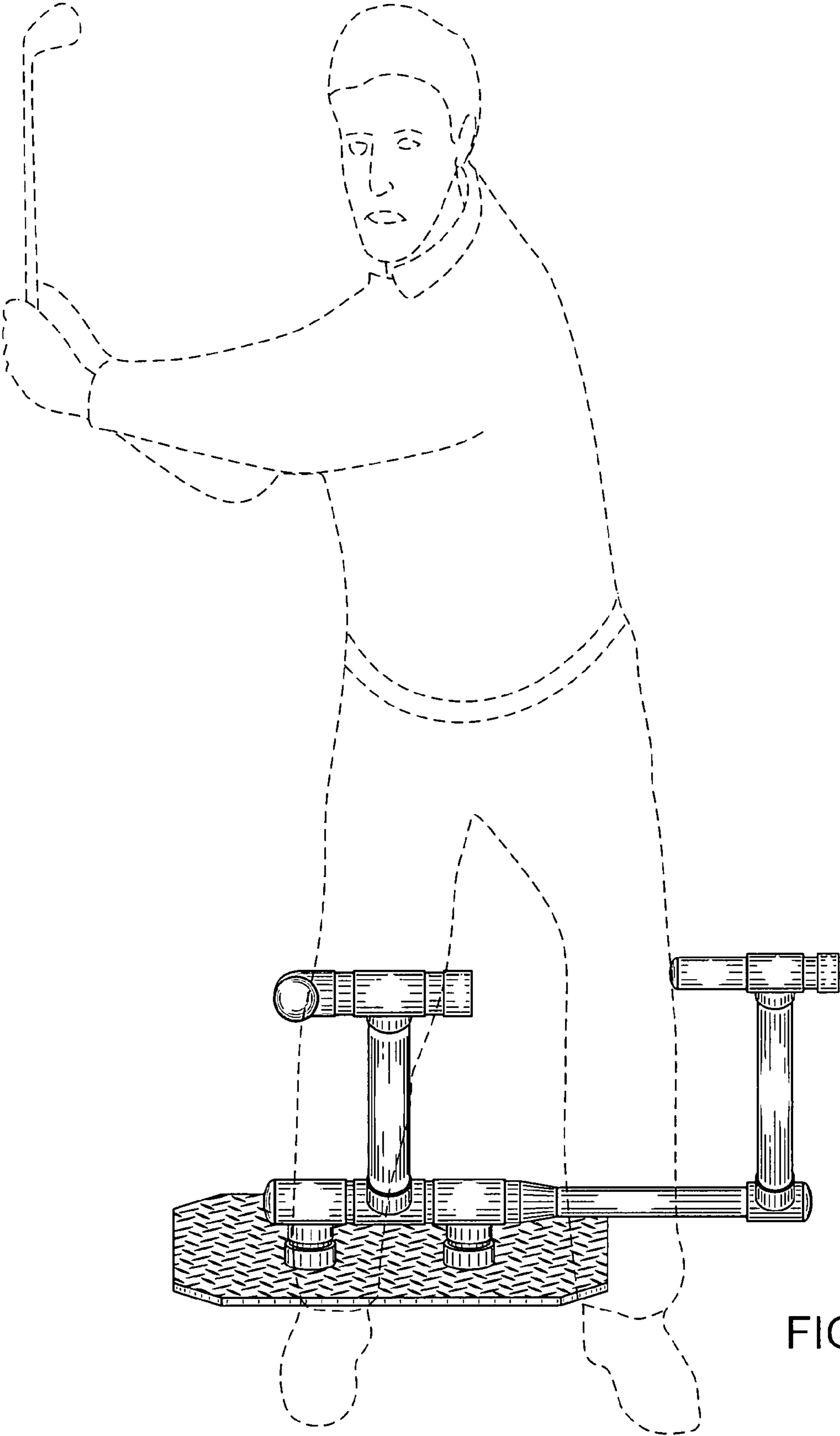


FIG. 1

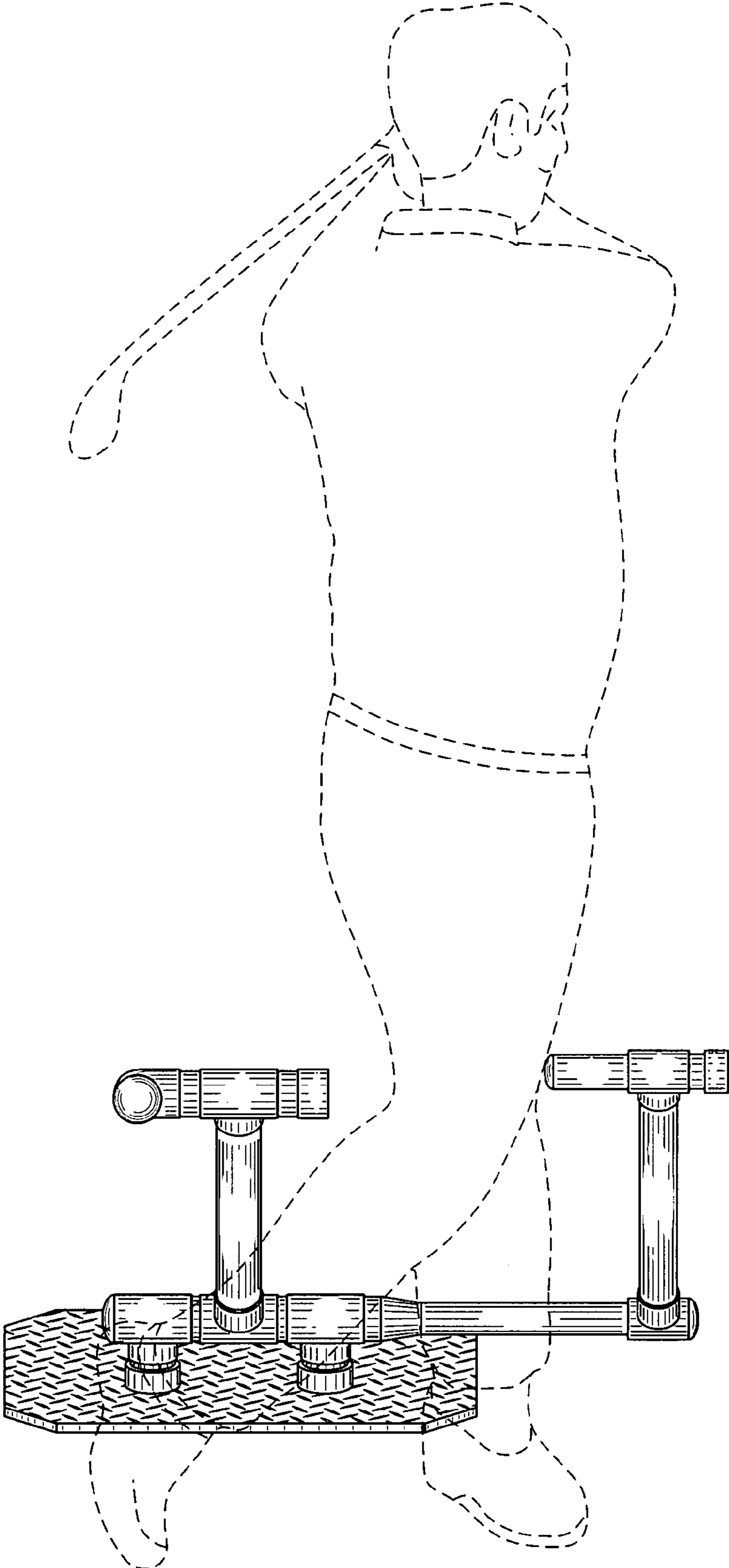


FIG. 2

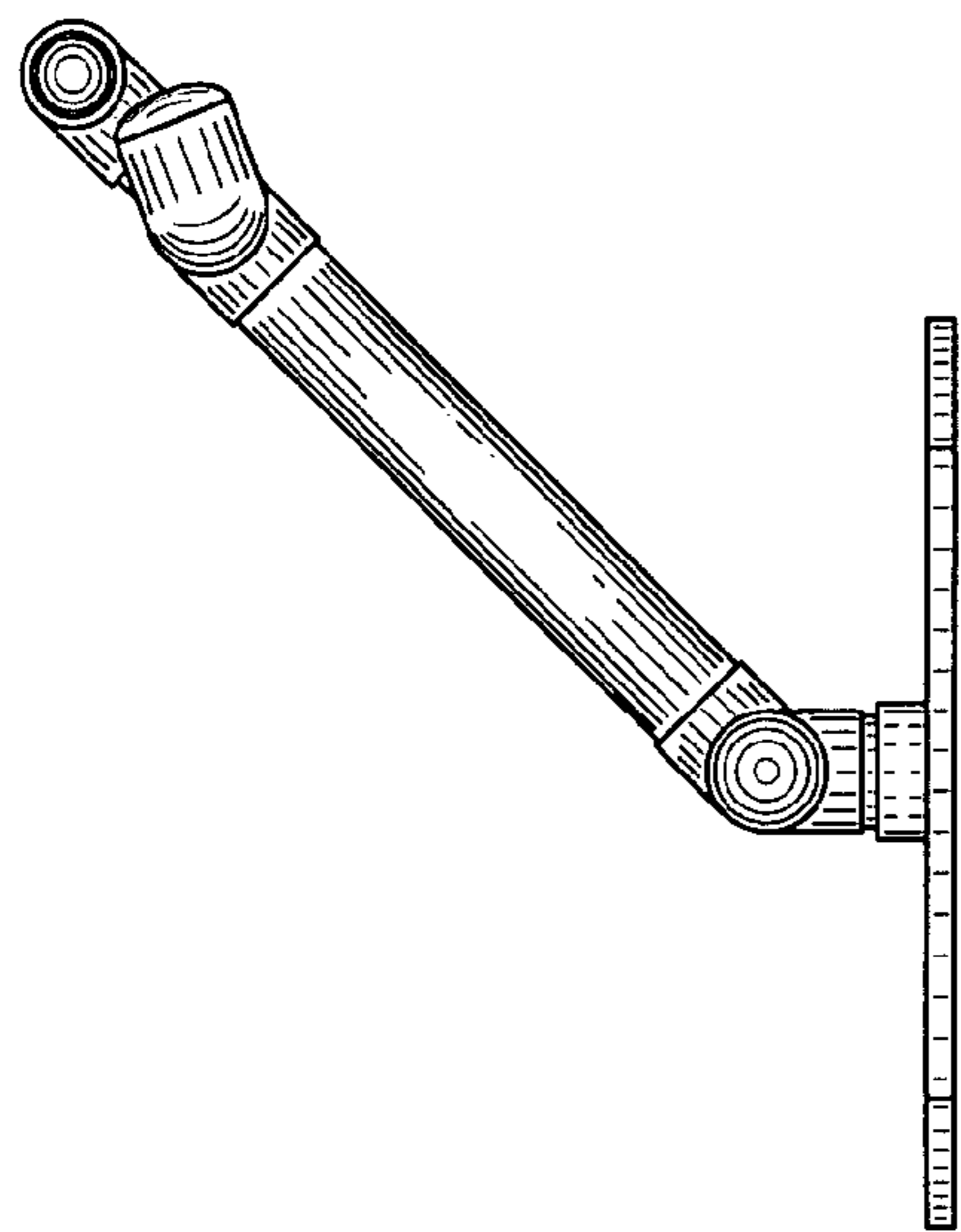


FIG. 3

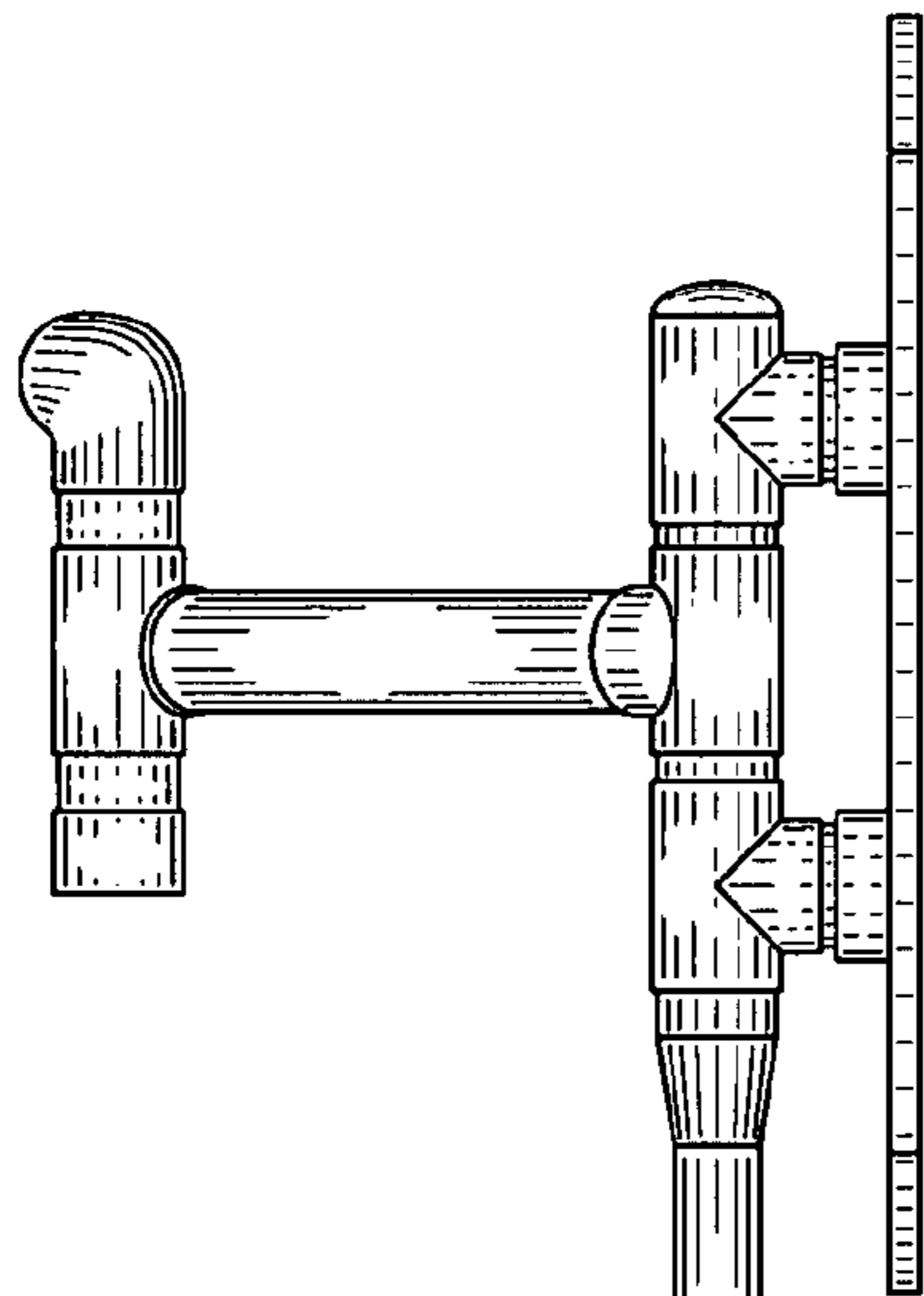


FIG. 4

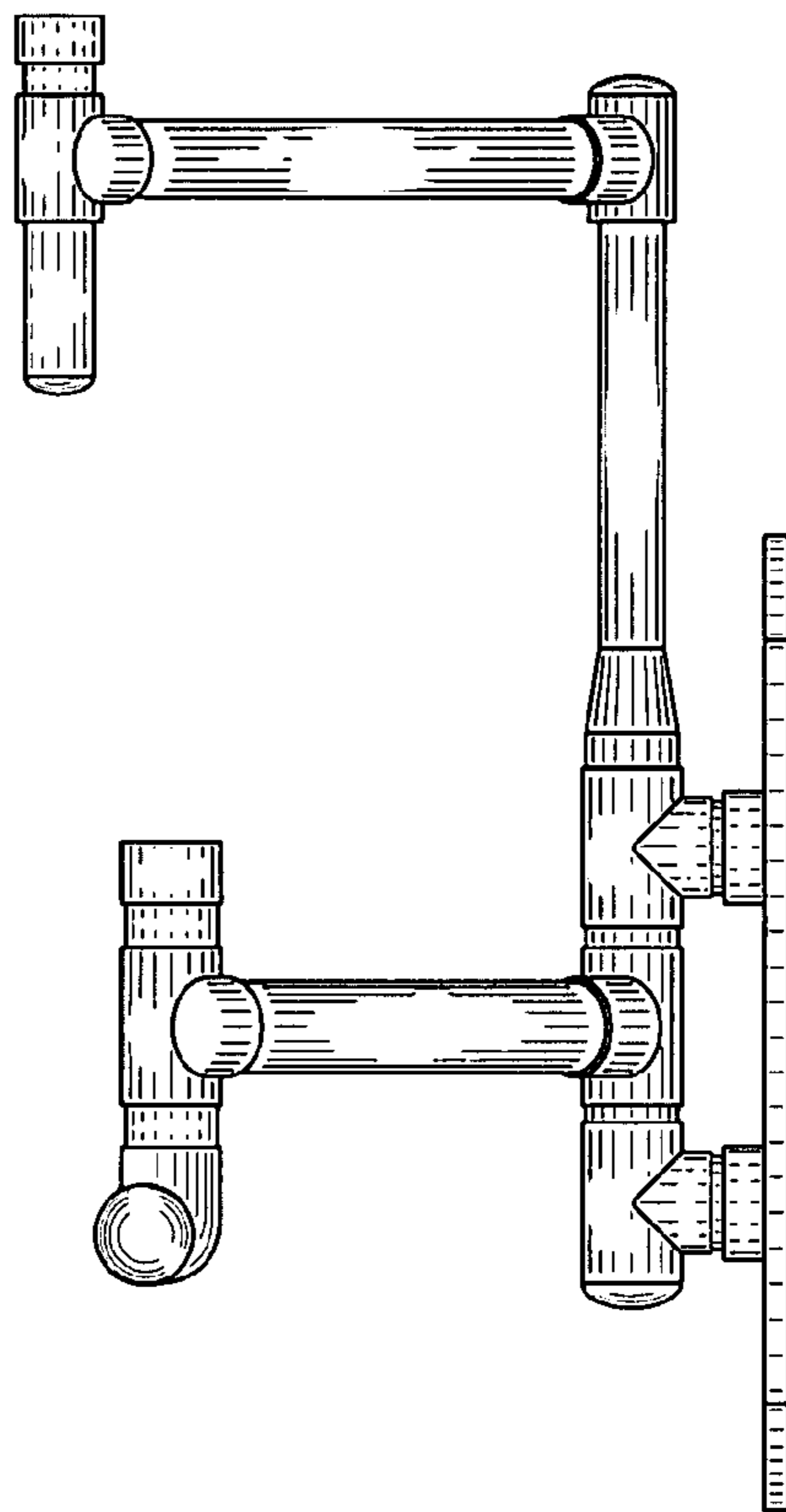


FIG. 5

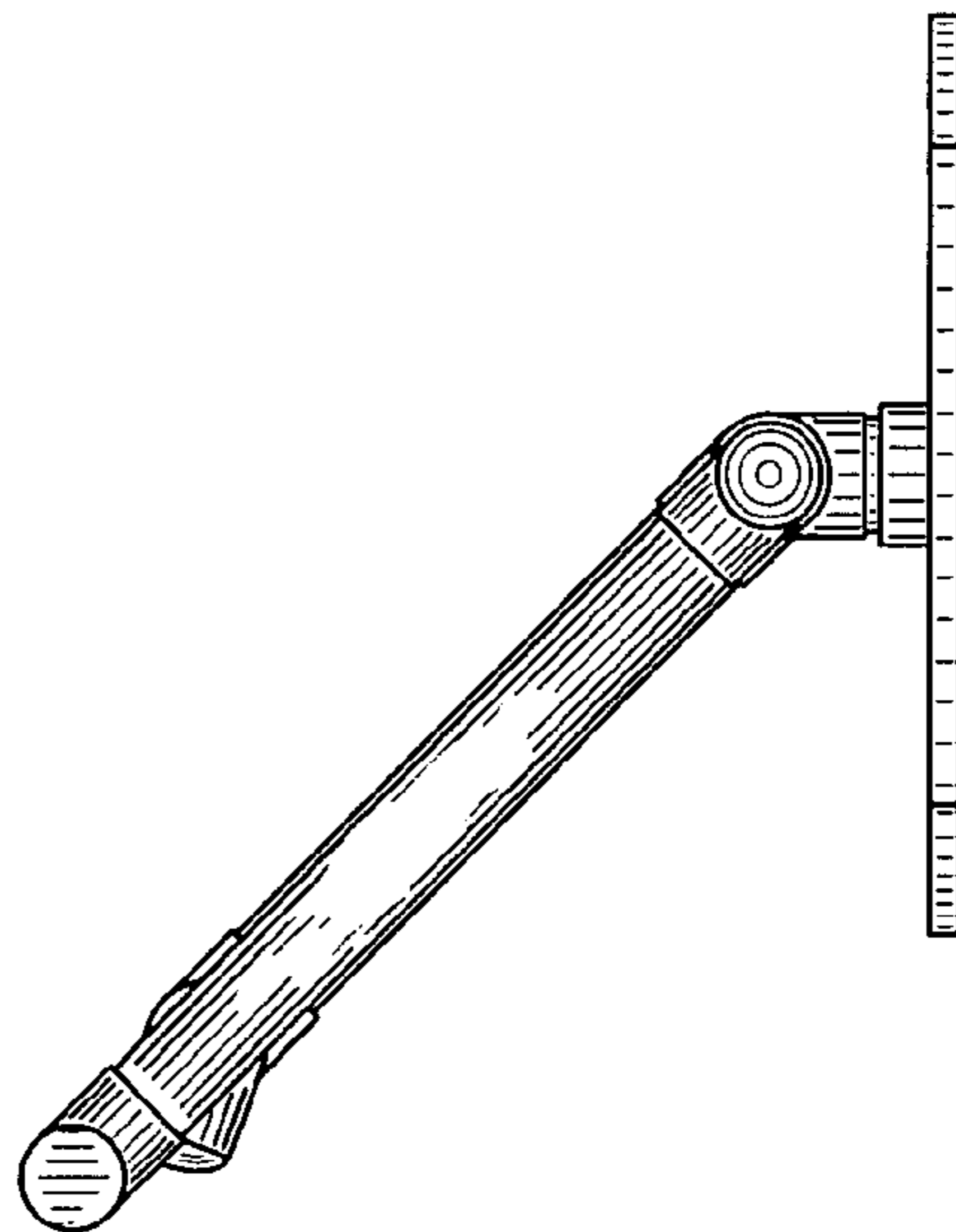


FIG. 6

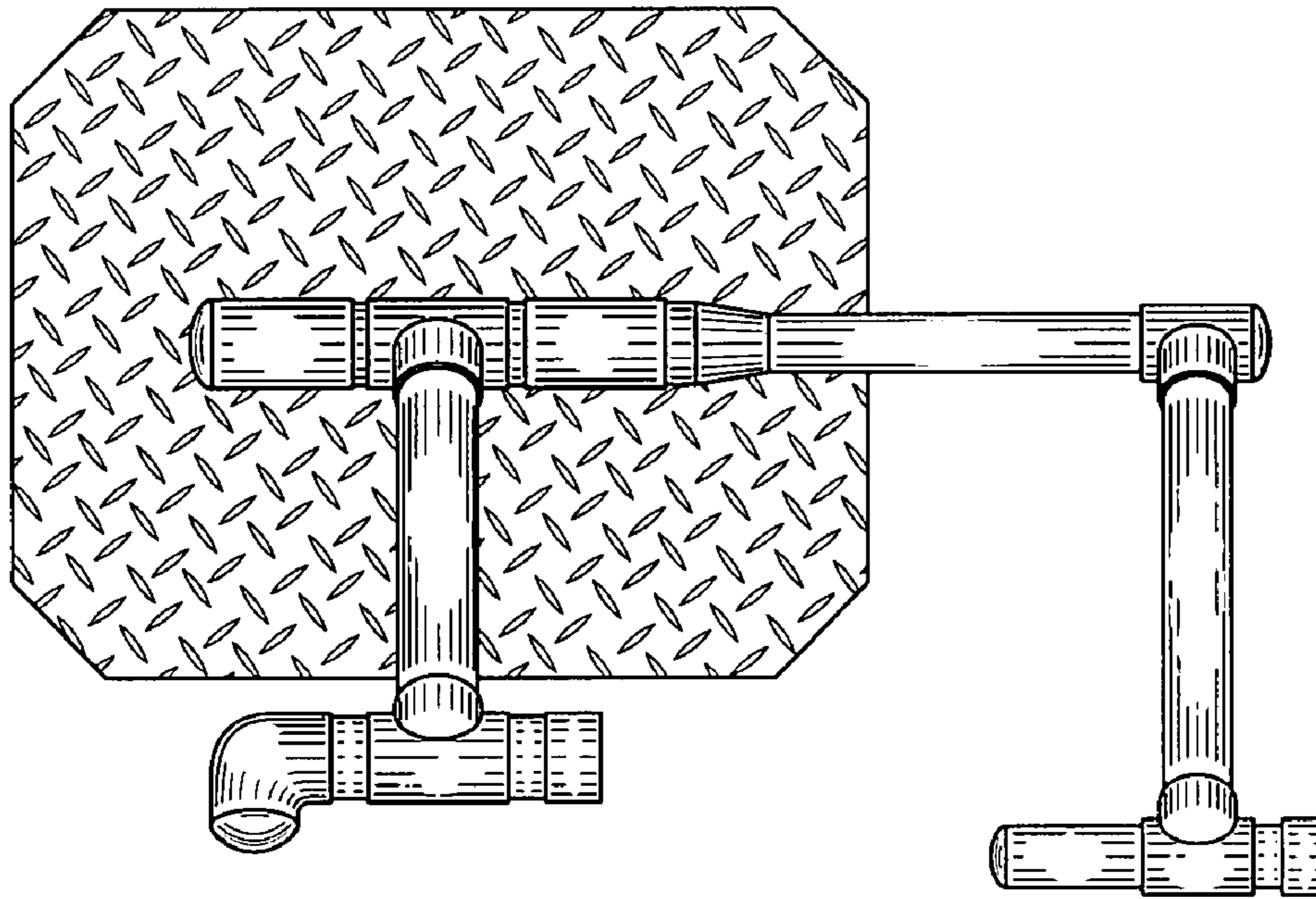


FIG. 7

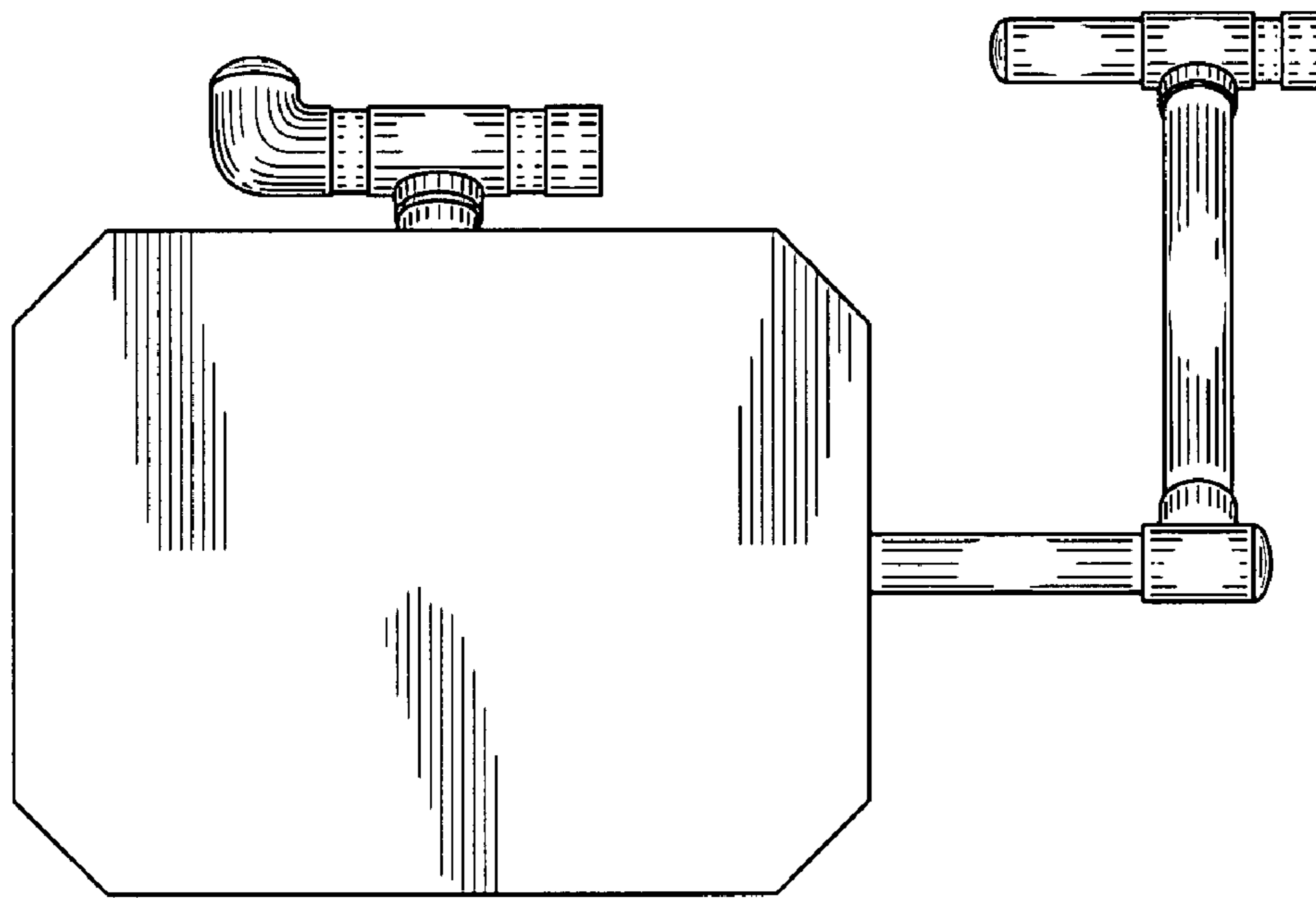


FIG. 8