



US00D574915S

(12) **United States Design Patent**  
**Jones et al.**

(10) **Patent No.:** **US D574,915 S**

(45) **Date of Patent:** **\*\* Aug. 12, 2008**

(54) **BADGE FOR A GOLF CLUB HEAD**

(75) Inventors: **David D. Jones**, Phoenix, AZ (US);  
**Xiaojian Chen**, Phoenix, AZ (US);  
**Richard R. Sanchez**, New River, AZ  
(US)

(73) Assignee: **Karsten Manufacturing Corporation**,  
Phoenix, AZ (US)

(\*\*) Term: **14 Years**

(21) Appl. No.: **29/306,668**

(22) Filed: **Apr. 14, 2008**

(51) **LOC (8) Cl.** ..... **21-02**

(52) **U.S. Cl.** ..... **D21/759**

(58) **Field of Classification Search** ..... D21/736-746,  
D21/753, 759; 473/324-331, 340-341, 251-256  
See application file for complete search history.

(56) **References Cited**

U.S. PATENT DOCUMENTS

1,571,109	A *	1/1926	East	.....	D21/759
2,954,231	A	9/1960	MacIntyre		
4,655,459	A	4/1987	Antonious		
D297,154	S	8/1988	Antonious		
4,915,385	A	4/1990	Anderson		
D321,232	S	10/1991	Antonious		
D325,061	S	3/1992	Antonious		
D372,286	S *	7/1996	Fortini	.....	D21/753
D379,391	S	5/1997	Moore		
D428,634	S	7/2000	Nagai et al.		
D433,073	S	10/2000	Sodano		
6,375,583	B1	4/2002	Solheim		
6,409,612	B1 *	6/2002	Evans et al.	.....	473/324
D485,320	S	1/2004	Breier et al.		
D500,109	S	12/2004	Solheim et al.		
D500,110	S	12/2004	Solheim et al.		
6,958,019	B2	10/2005	Rohrer		
6,960,140	B2	11/2005	Solheim et al.		
6,966,845	B2	11/2005	Solheim et al.		

D515,160	S *	2/2006	Smith et al.	.....	D21/759
7,052,411	B2	5/2006	Solheim et al.		
D522,598	S	6/2006	Solheim et al.		
D526,374	S *	8/2006	Kawami	.....	D21/759
7,086,957	B2	8/2006	Solheim et al.		

(Continued)

OTHER PUBLICATIONS

David D. Jones, et al., "Golf Putter Heads and Removable Putter Weights," U.S. Appl. No. 12/101,101, filed Apr. 10, 2008.

David D. Jones, et al., "Golf Club Head," U.S. Appl. No. 29/306,646, filed Apr. 14, 2008.

David D. Jones, et al., "Golf Club Head," U.S. Appl. No. 29/306,647, filed Apr. 14, 2008.

David D. Jones, et al., "Golf Club Head," U.S. Appl. No. 29/306,649, filed Apr. 14, 2008.

(Continued)

*Primary Examiner*—Mitchell I Siegel

(57) **CLAIM**

The ornamental design for a badge for a golf club head, as shown and described.

**DESCRIPTION**

FIG. 1 is a perspective view of the badge for a golf club head; FIG. 2 is an exploded top perspective view of the badge of FIG. 1;

FIG. 3 is a front elevational view of the badge of FIG. 1;

FIG. 4 is a rear elevational view of the badge of FIG. 1;

FIG. 5 is a top view of the badge of FIG. 1;

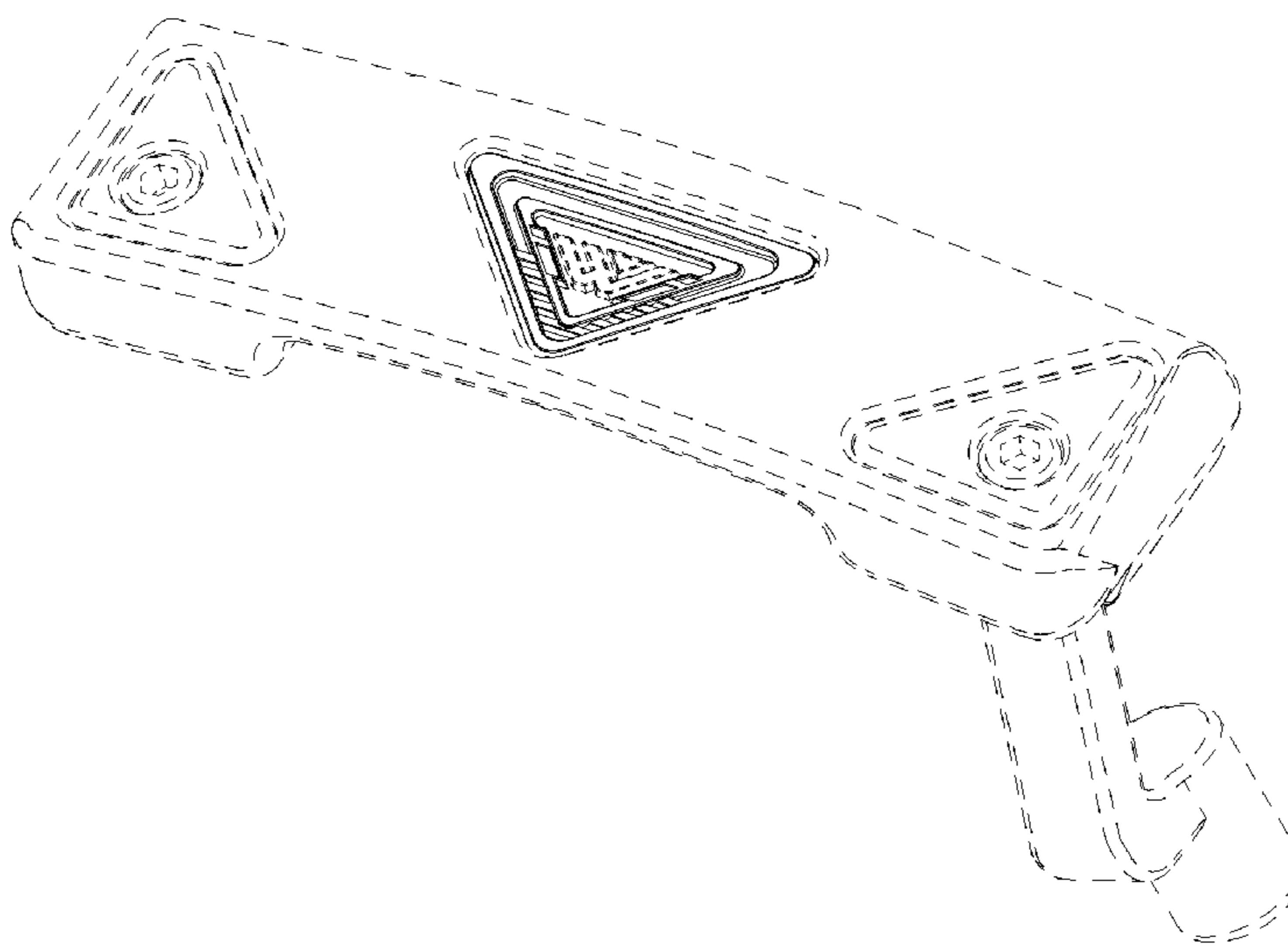
FIG. 6 is a bottom view of the badge of FIG. 1;

FIG. 7 is a left view of the badge of FIG. 1; and,

FIG. 8 is a right view of the badge of FIG. 1.

The broken lines shown in one or more of the figures are for illustrative purposes only and form no part of the claimed design.

**1 Claim, 3 Drawing Sheets**



U.S. PATENT DOCUMENTS

D532,842 S 11/2006 Jones et al.  
D532,843 S 11/2006 Jones et al.  
D533,612 S \* 12/2006 Kohno ..... D21/759  
D534,980 S \* 1/2007 Kohno ..... D21/759  
D541,362 S 4/2007 Oldknow  
7,220,189 B2 5/2007 Wieland et al.  
7,235,021 B2 6/2007 Solheim et al.  
D547,404 S 7/2007 Serrano et al.  
D555,220 S 11/2007 Flaherty  
D562,422 S \* 2/2008 Roberts et al. .... D21/759  
2004/0110574 A1 6/2004 Green  
2006/0148585 A1 7/2006 Vinton  
2007/0117653 A1 5/2007 Yoneyama  
2007/0207875 A1 9/2007 Kuan et al.  
2007/0238547 A1 10/2007 Jones

OTHER PUBLICATIONS

David D. Jones, et al., "Golf Club Head," U.S. Appl. No. 29/306,652, filed Apr. 14, 2008.

David D. Jones, et al., "Golf Club Head," U.S. Appl. No. 29/306,655, filed Apr. 14, 2008.

David D. Jones, et al., "Golf Club Head," U.S. Appl. No. 29/306,663, filed Apr. 14, 2008.

David D. Jones, et al., "Golf Putter Head," U.S. Appl. No. 29/306,668, filed Apr. 14, 2008.

Bradley D. Schweigert, et al., "Badge for a Golf Club Head," U.S. Appl. No. 29/282,447, filed Jul. 20, 2007.

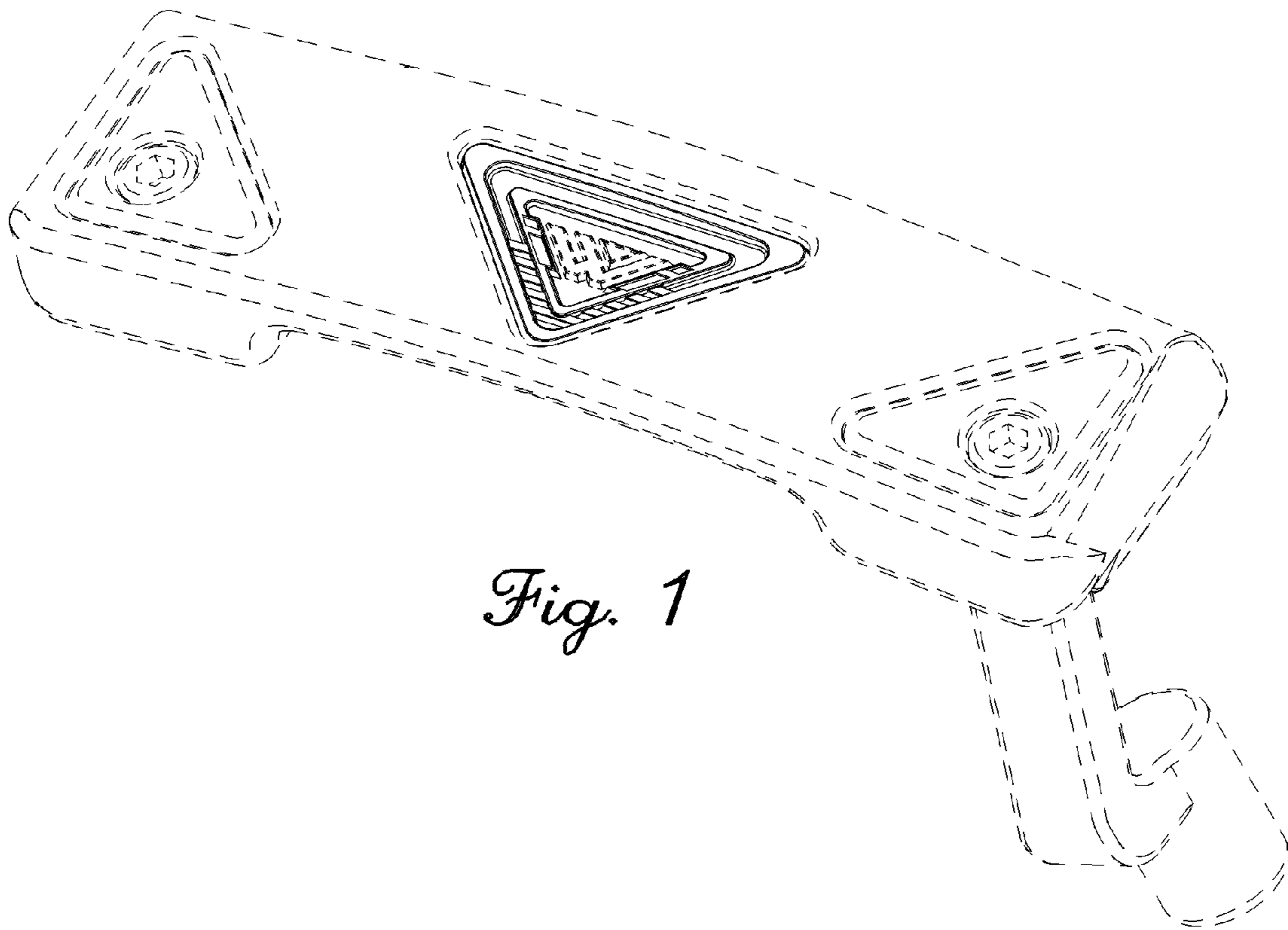
Michael R. Nicolette, et al., "Badge for a Golf Club Head," U.S. Appl. No. 29/282,448, filed Jul. 20, 2007.

Xiaojian Chen, et al., "Badge for a Golf Club Head," U.S. Appl. No. 29/282,449, filed Jul. 20, 2007.

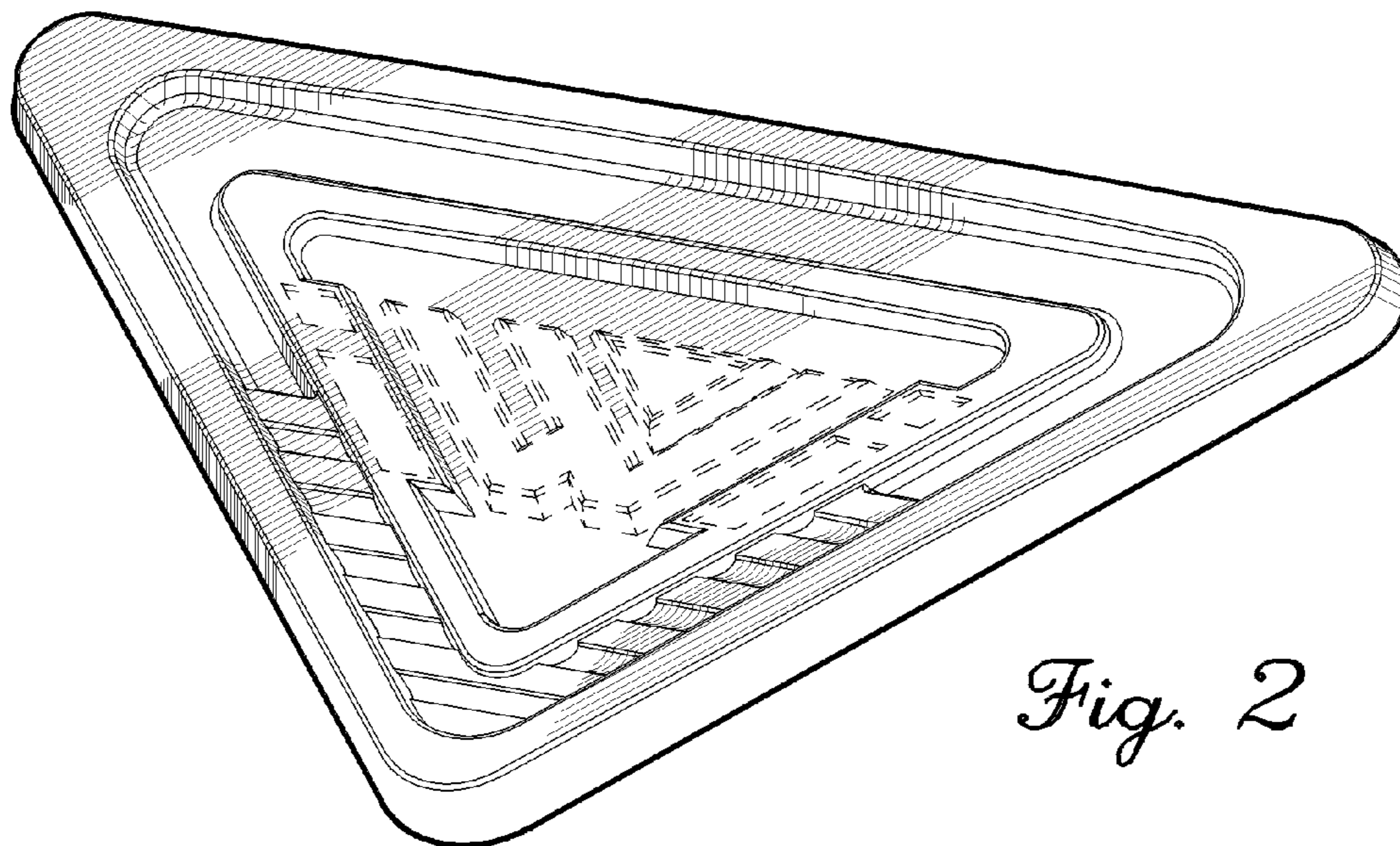
David D. Jones, et al., "Badge for a Golf Club Head," U.S. Appl. No. 29/282,450, filed Jul. 20, 2007.

Bradley D. Schweigert, et al., "Badge for a Golf Club Head," U.S. Appl. No. 29/282,451, filed Jul. 20, 2007.

\* cited by examiner

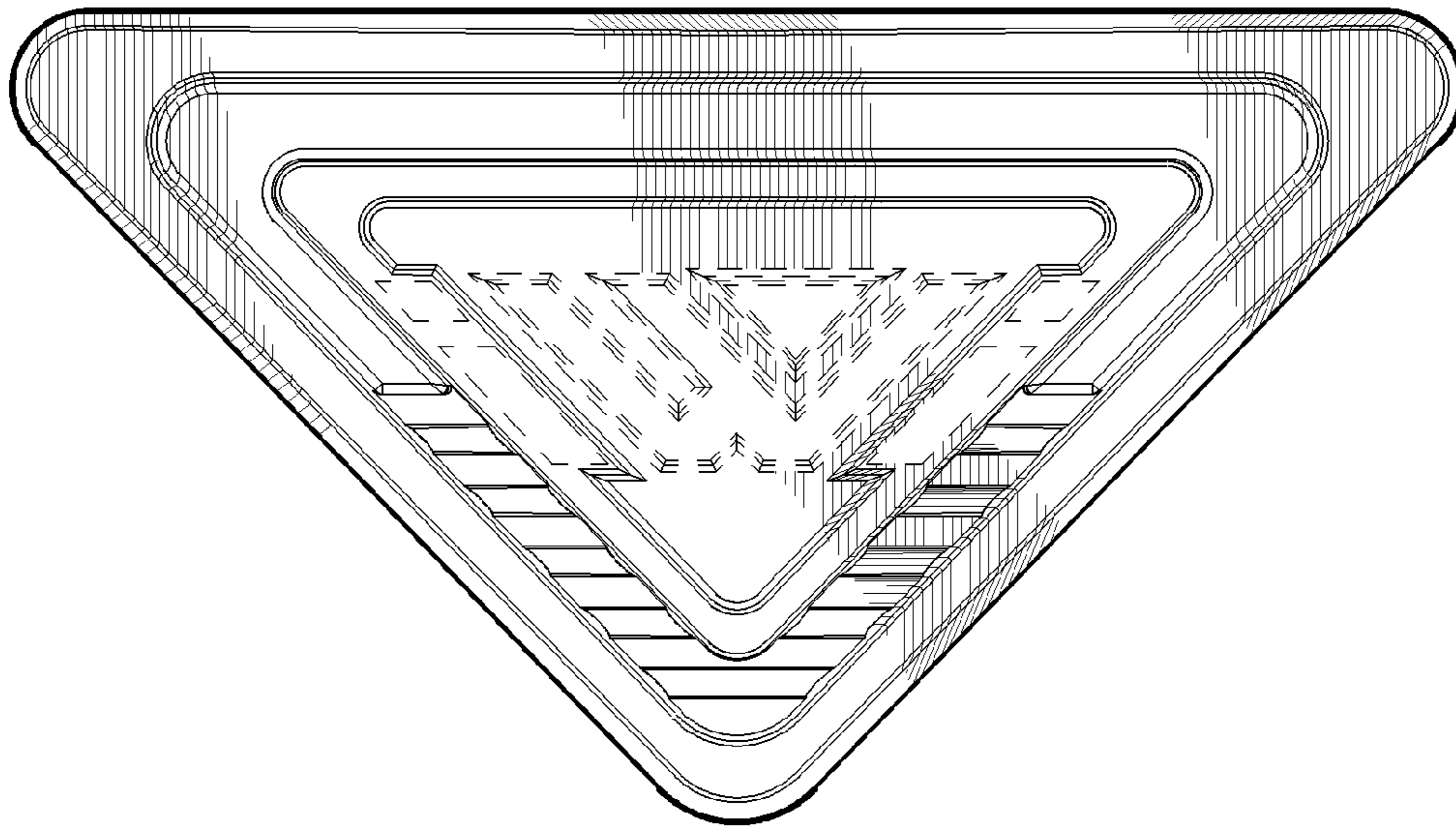


*Fig. 1*

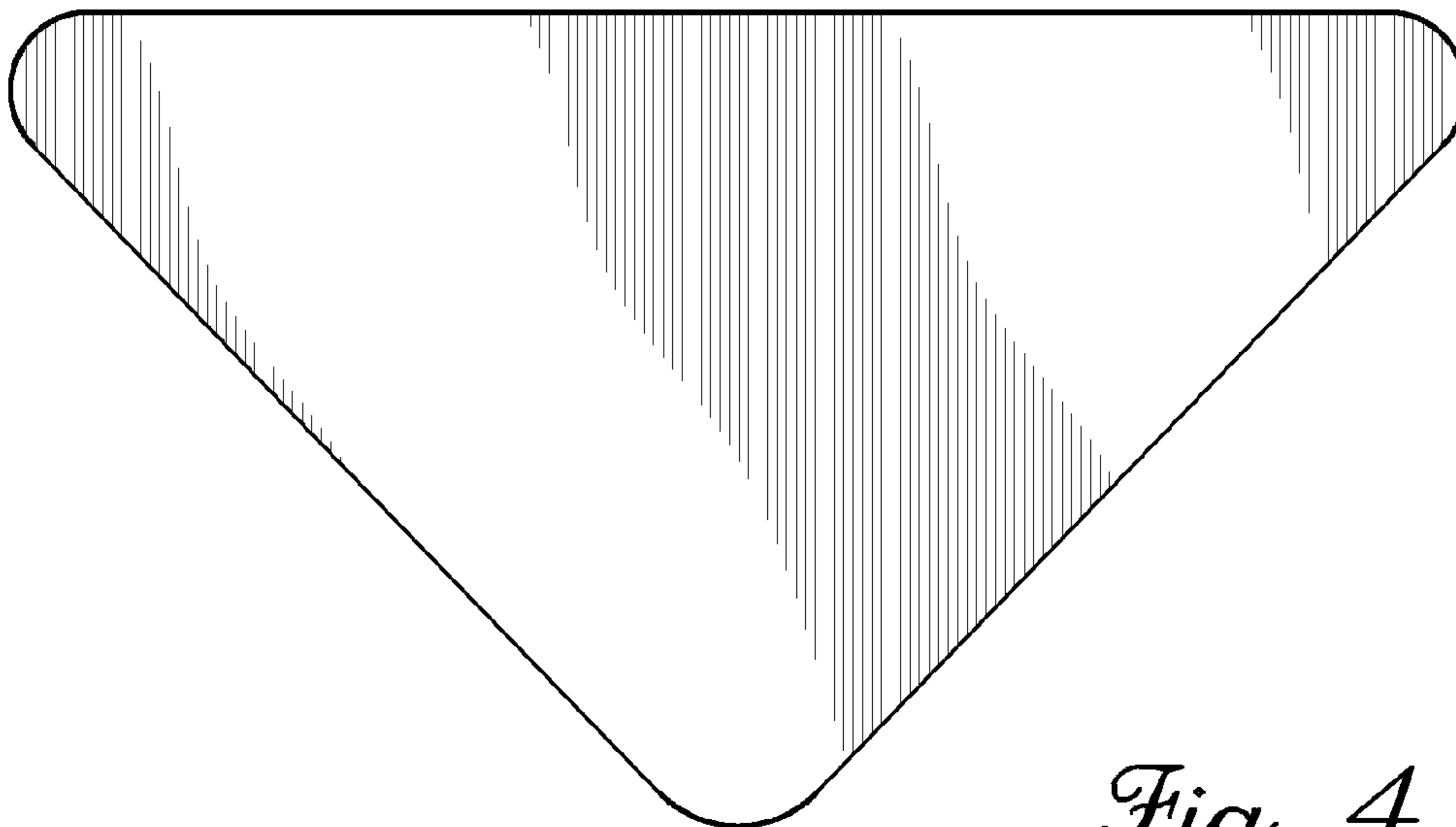


*Fig. 2*





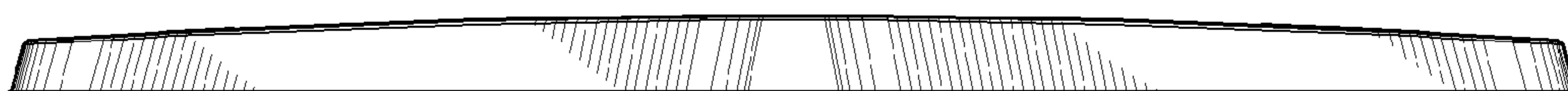
*Fig. 3*



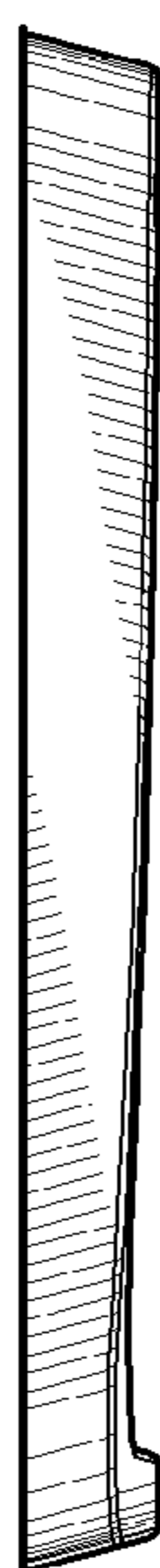
*Fig. 4*



*Fig. 5*



*Fig. 6*



*Fig. 7*



*Fig. 8*