



US00D574909S

(12) **United States Design Patent**
Jones et al.

(10) **Patent No.:** **US D574,909 S**
(45) **Date of Patent:** **** Aug. 12, 2008**

(54) **GOLF CLUB HEAD**

(75) Inventors: **David D. Jones**, Phoenix, AZ (US);
Xiaojian Chen, Phoenix, AZ (US);
Richard R. Sanchez, New River, AZ
(US)

(73) Assignee: **Karsten Manufacturing Corporation**,
Phoenix, AZ (US)

(**) Term: **14 Years**

(21) Appl. No.: **29/306,644**

(22) Filed: **Apr. 14, 2008**

(51) **LOC (8) Cl.** **21-02**

(52) **U.S. Cl.** **D21/743**

(58) **Field of Classification Search** D21/736-746,
D21/753, 759; 473/324-331, 340-341, 251-256
See application file for complete search history.

(56) **References Cited**

U.S. PATENT DOCUMENTS

2,954,231 A	9/1960	MacIntyre	
D207,227 S	3/1967	Solheim	
D218,178 S	7/1970	Solheim	
D231,375 S *	4/1974	Solheim	D21/742
D255,373 S *	6/1980	Solheim	D21/743
D283,039 S *	3/1986	Solheim	D21/743
4,655,459 A	4/1987	Antonious	
D289,912 S *	5/1987	Cotchonis	D21/744
D296,120 S *	6/1988	Brace	D21/739
D297,154 S	8/1988	Antonious	
4,915,385 A	4/1990	Anderson	
D321,232 S	10/1991	Antonious	
D324,711 S *	3/1992	Antonious	D21/736
D325,061 S	3/1992	Antonious	
D334,959 S *	4/1993	Iinuma et al.	D21/743
D341,405 S *	11/1993	Solheim	D21/743
D363,327 S *	10/1995	Greene et al.	D21/744
D363,328 S *	10/1995	Greene et al.	D21/744
D363,330 S *	10/1995	Greene et al.	D21/744
D365,864 S	1/1996	Sturm	

D379,391 S	5/1997	Moore	
D396,080 S *	7/1998	Bottema	D21/736
D399,911 S *	10/1998	Nicolette et al.	D21/736
D403,724 S *	1/1999	Palmer	D21/736
D405,836 S *	2/1999	Nicolette et al.	D21/736
D408,064 S *	4/1999	Slucker	D21/736
D410,267 S	5/1999	Solheim	
D411,271 S *	6/1999	Nelson	D21/738
D427,262 S *	6/2000	Frazetta	D21/743
D428,634 S	7/2000	Nagai et al.	

(Continued)

OTHER PUBLICATIONS

David D. Jones, et al., "Golf Putter Heads and Removable Putter Weights," U.S. Appl. No. 12/101,101, filed Apr. 10, 2008.

(Continued)

Primary Examiner—Mitchell I Siegel

(57) **CLAIM**

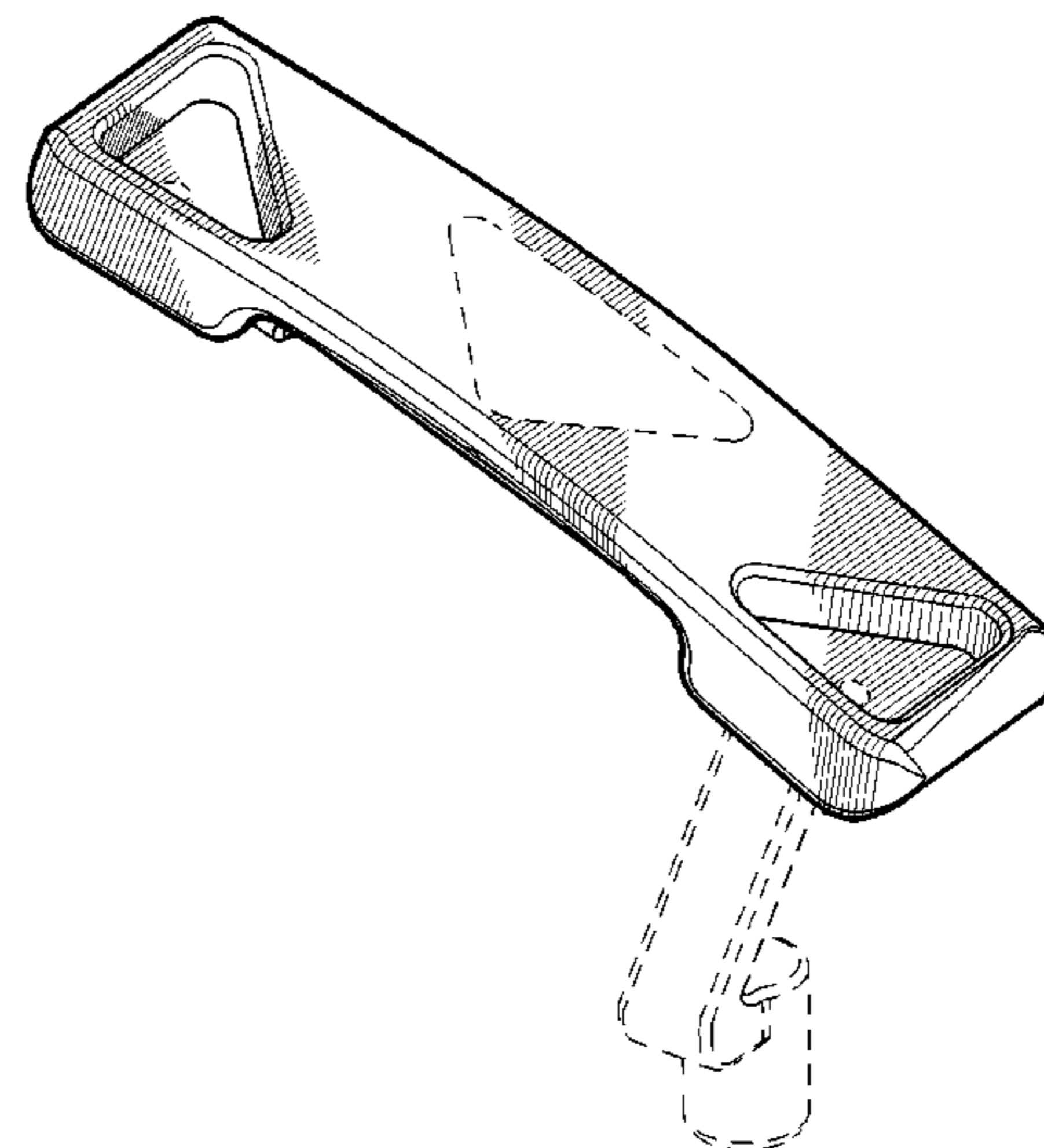
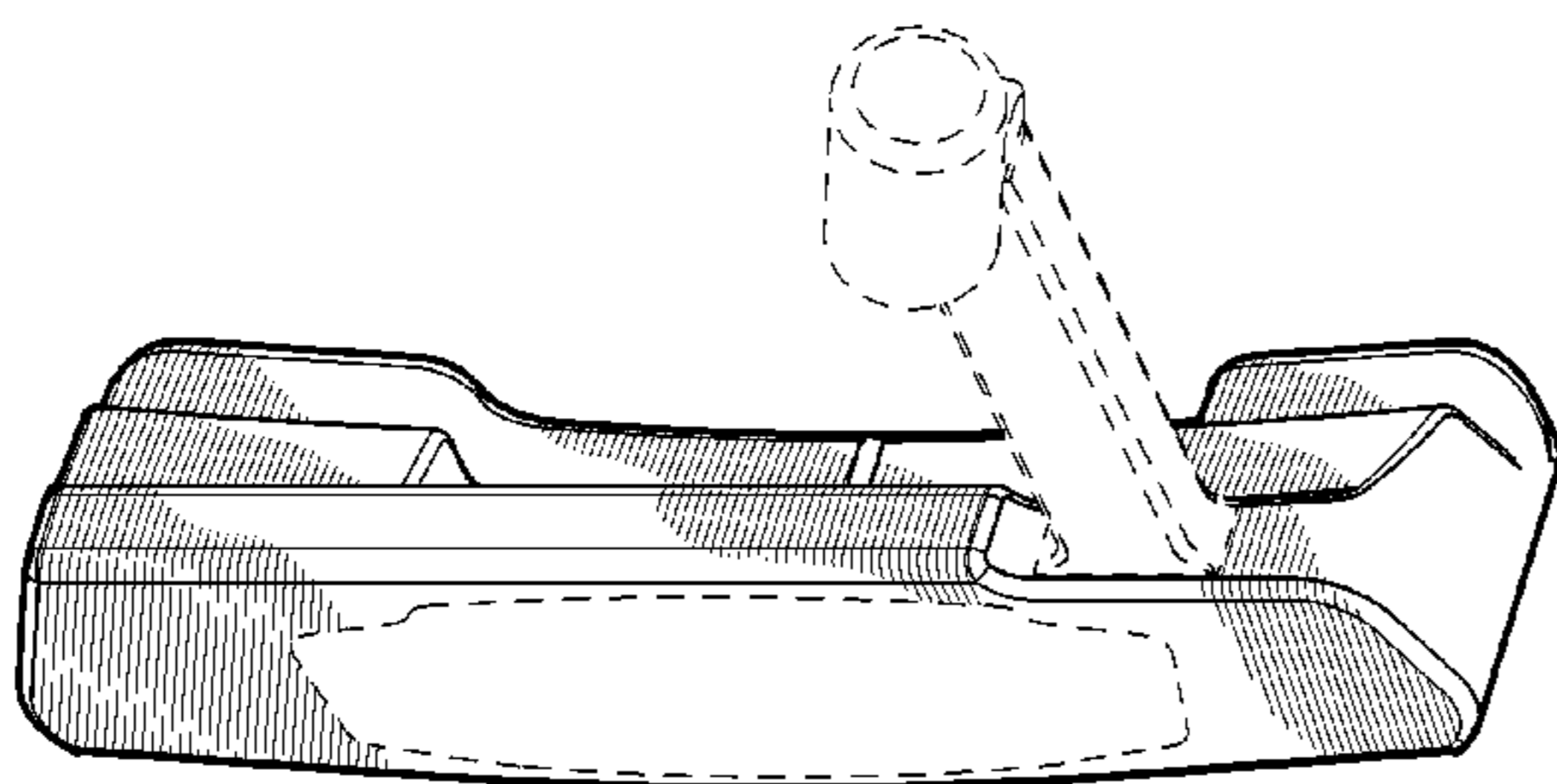
The ornamental design for a golf club head, as shown and described.

DESCRIPTION

FIG. 1 is a top perspective view of the golf club head;
 FIG. 2 is a bottom perspective view of the golf club head of FIG. 1;
 FIG. 3 is a front elevational view of the golf club head of FIG. 1;
 FIG. 4 is a rear elevational view of the golf club head of FIG. 1;
 FIG. 5 is a top view of the golf club head of FIG. 1;
 FIG. 6 is a bottom view of the golf club head of FIG. 1;
 FIG. 7 is a heel end view of the golf club head of FIG. 1; and,
 FIG. 8 is a toe end view of the golf club head of FIG. 1.

The broken lines shown in one or more of the figures are for illustrative purposes only and form no part of the claimed design.

1 Claim, 4 Drawing Sheets



US D574,909 S

Page 2

U.S. PATENT DOCUMENTS

D433,073 S 10/2000 Sodano
D443,905 S * 6/2001 Nicolette et al. D21/743
6,375,583 B1 4/2002 Solheim
6,409,612 B1 6/2002 Evans et al.
D463,517 S * 9/2002 Ngon D21/736
D483,086 S 12/2003 Schweigert
D485,320 S 1/2004 Breier et al.
D486,194 S * 2/2004 Helmstetter et al. D21/743
D498,276 S * 11/2004 Schweigert et al. D21/743
D500,109 S * 12/2004 Solheim et al. D21/736
D500,110 S * 12/2004 Solheim et al. D21/742
6,958,019 B2 10/2005 Rohrer
6,960,140 B2 * 11/2005 Solheim et al. 473/251
D513,050 S 12/2005 Grimaldo
D522,598 S * 6/2006 Solheim et al. D21/742
D525,327 S * 7/2006 Jones et al. D21/736
D525,329 S * 7/2006 Jones et al. D21/736
D532,842 S * 11/2006 Jones et al. D21/736
D532,843 S * 11/2006 Jones et al. D21/736
D541,362 S 4/2007 Oldknow
7,220,189 B2 5/2007 Wieland et al.
D547,403 S * 7/2007 Serrano et al. D21/736
D547,404 S * 7/2007 Serrano et al. D21/736

D547,405 S * 7/2007 Serrano et al. D21/736
7,255,650 B2 * 8/2007 Braynt et al. 473/252
D555,220 S 11/2007 Flaherty
2004/0110574 A1 6/2004 Green
2006/0148585 A1 7/2006 Vinton
2007/0117653 A1 5/2007 Yoneyama
2007/0207875 A1 9/2007 Kuan et al.

OTHER PUBLICATIONS

David D. Jones, et al., "Golf Club Head," U.S. Appl. No. 29/306,646, filed Apr. 14, 2008.
David D. Jones, et al., "Golf Club Head," U.S. Appl. No. 29/306,647, filed Apr. 14, 2008.
David D. Jones, et al., "Golf Club Head," U.S. Appl. No. 29/306,649, filed Apr. 14, 2008.
David D. Jones, et al., "Golf Club Head," U.S. Appl. No. 29/306,652, filed Apr. 14, 2008.
David D. Jones, et al., "Golf Club Head," U.S. Appl. No. 29/306,655, filed Apr. 14, 2008.
David D. Jones, et al., "Golf Club Head," U.S. Appl. No. 29/306,663, filed Apr. 14, 2008.
David D. Jones, et al., "Golf Putter Head," U.S. Appl. No. 29/306,668, filed Apr. 14, 2008.

* cited by examiner

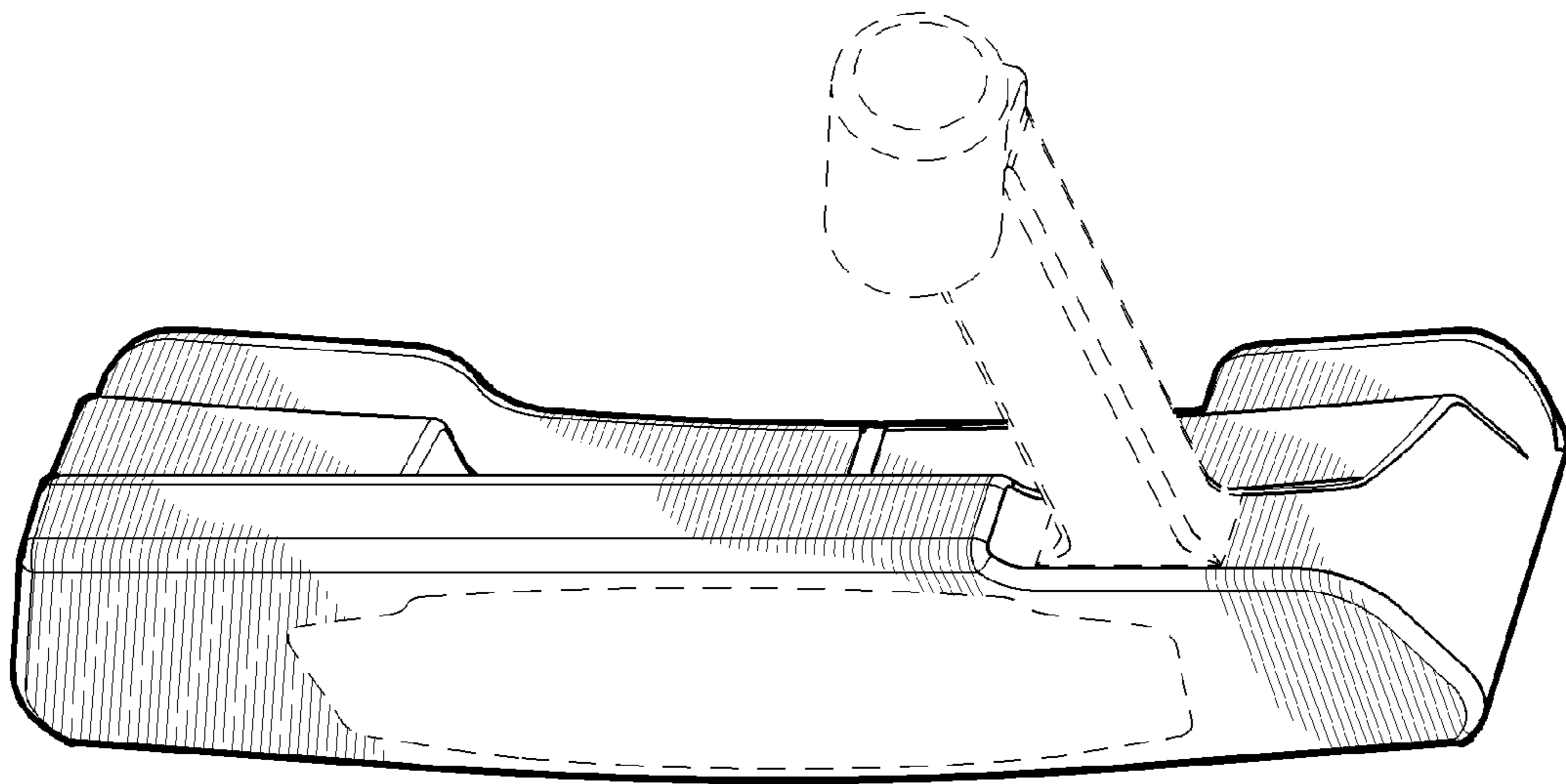


Fig. 1

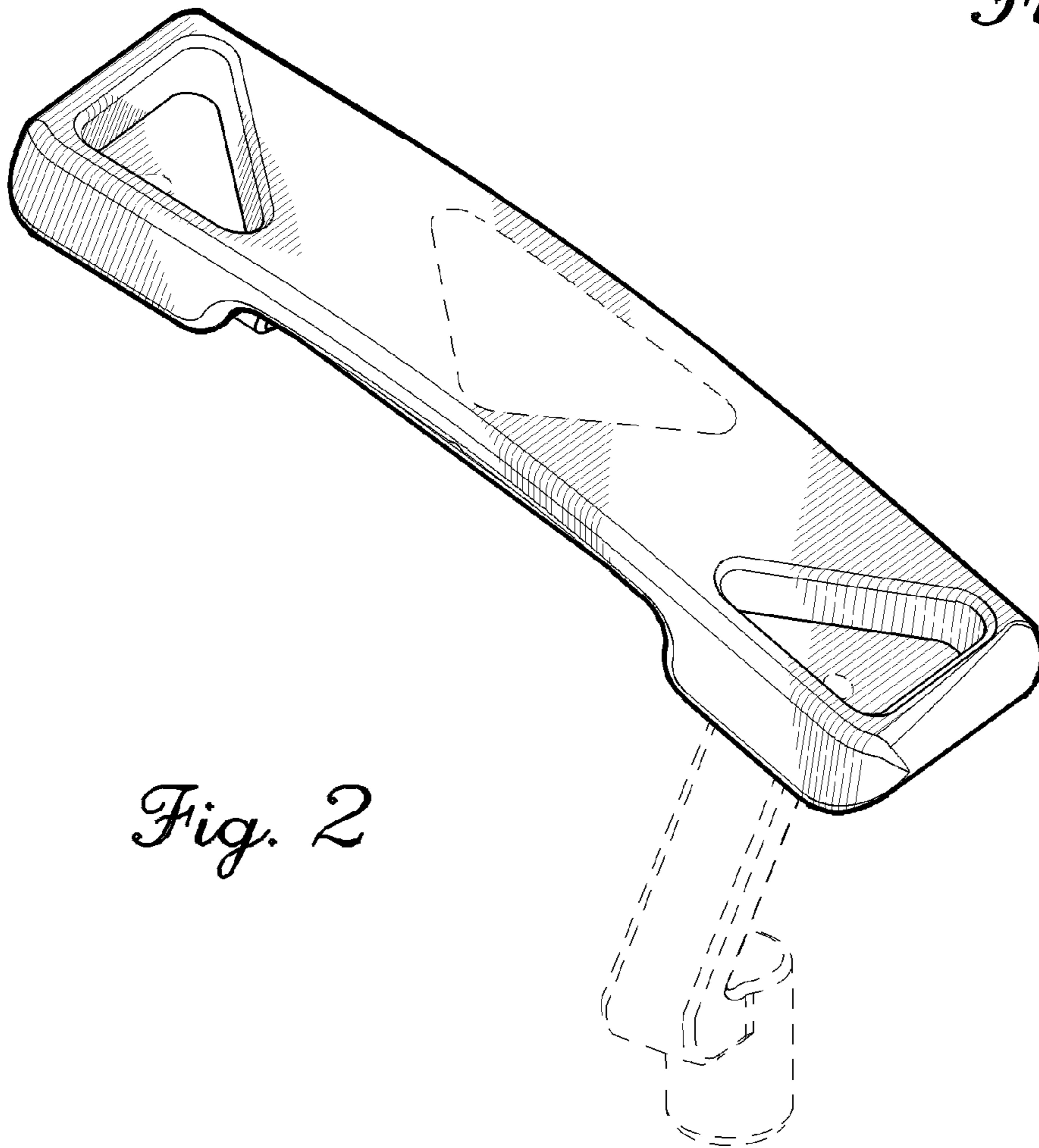


Fig. 2

Fig. 3

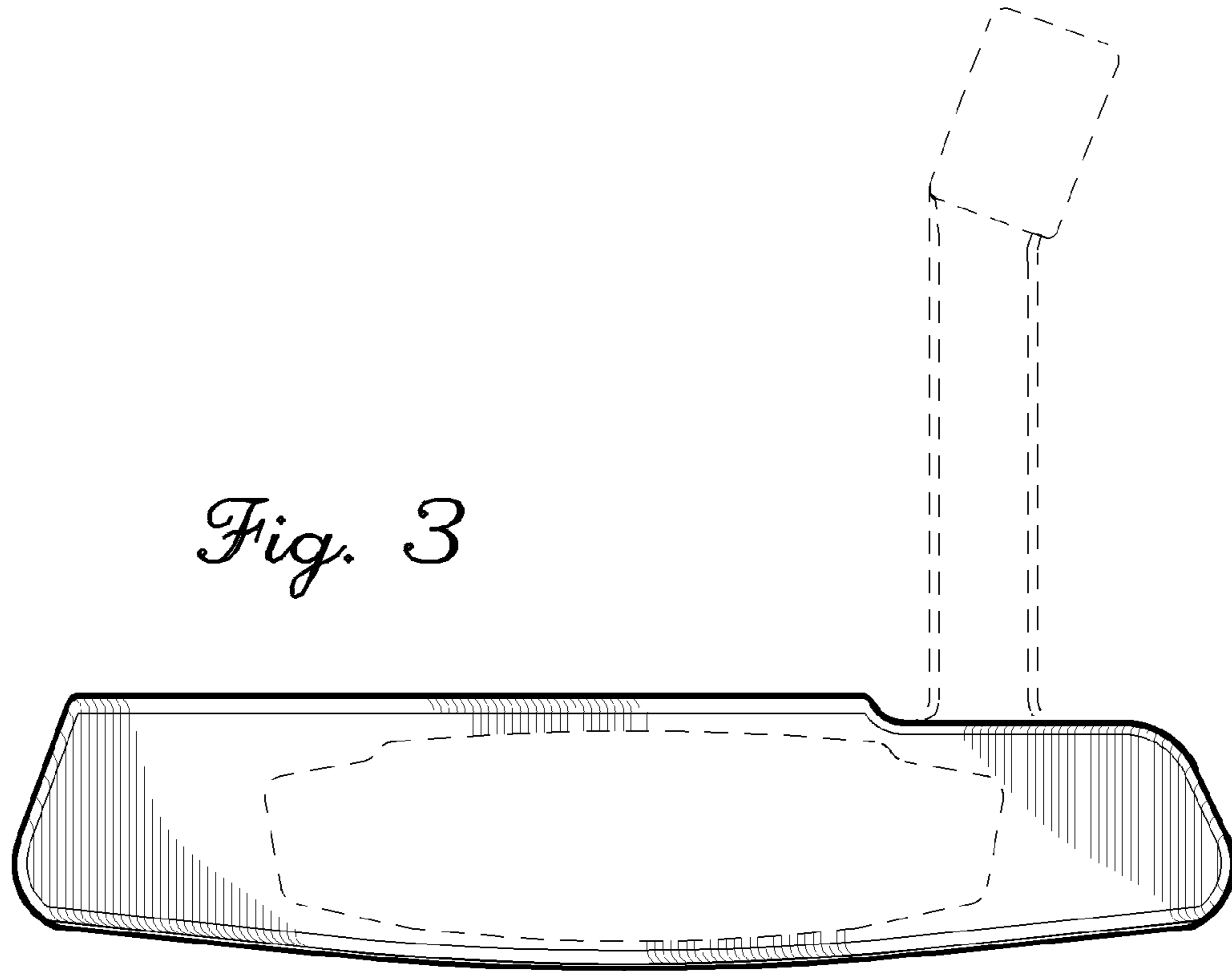
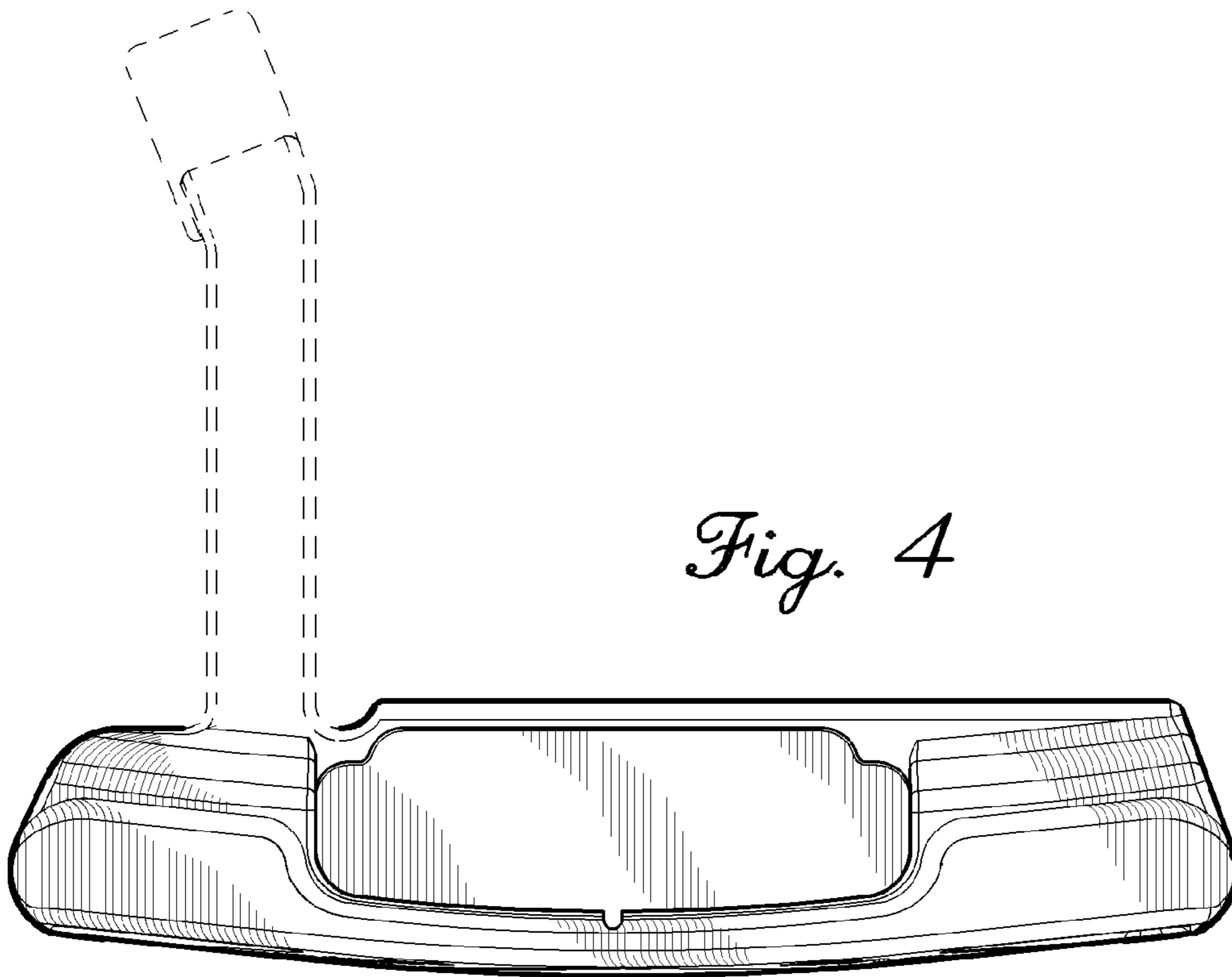


Fig. 4



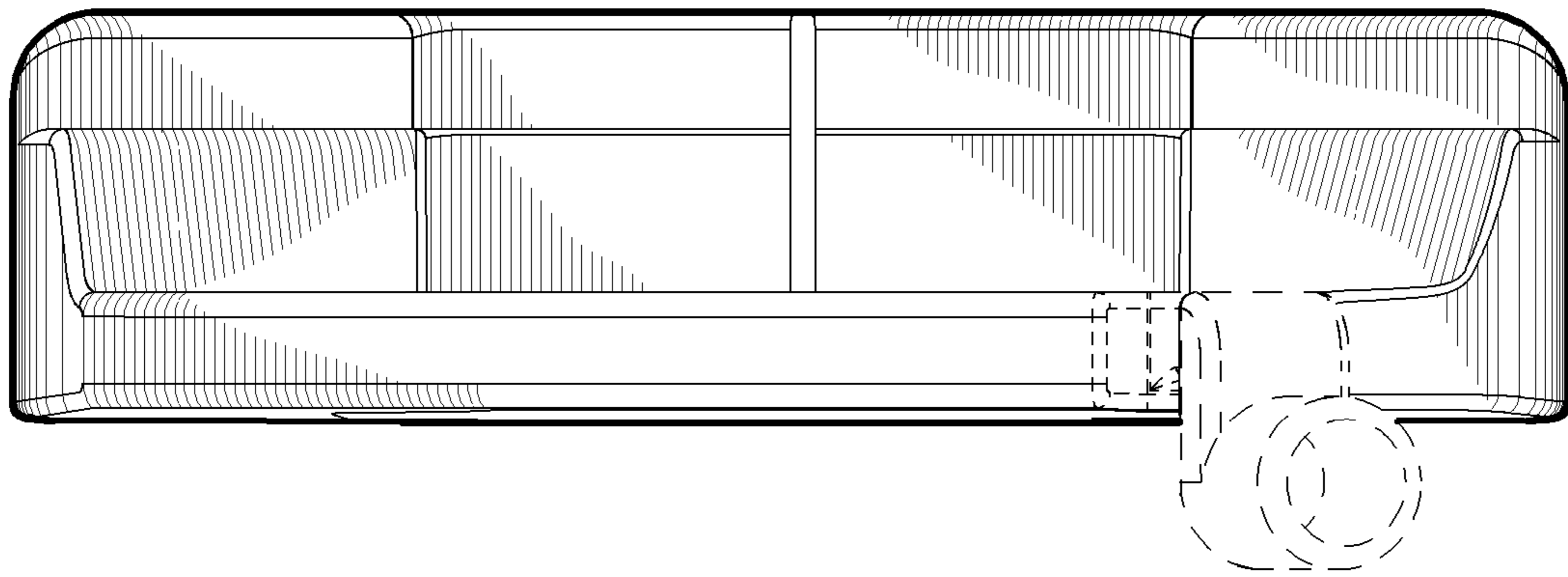


Fig. 5

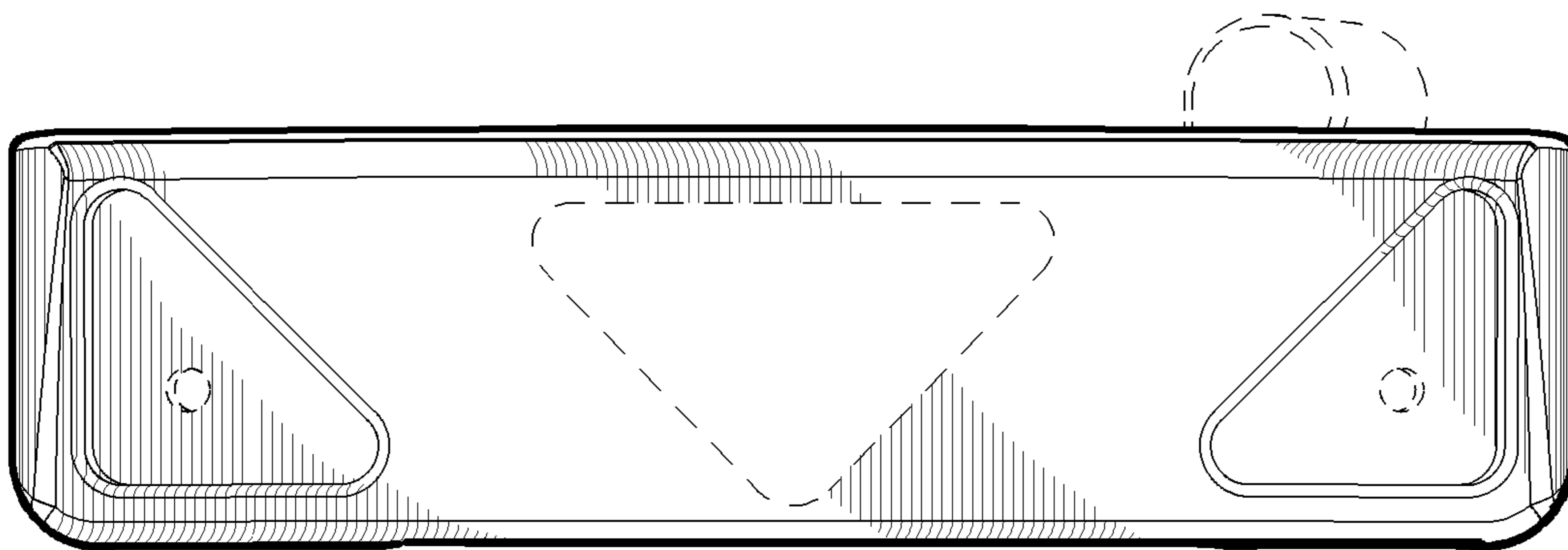


Fig. 6

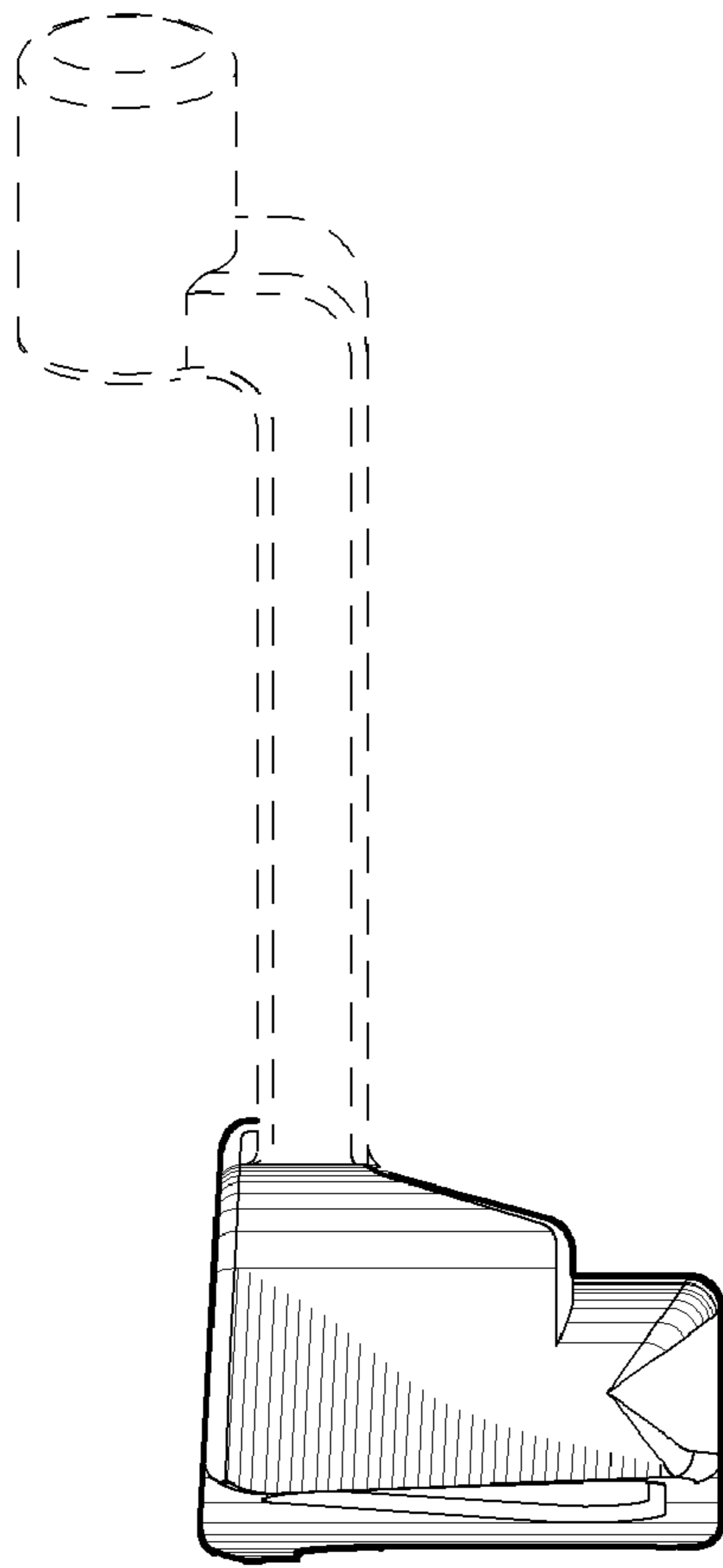


Fig. 7

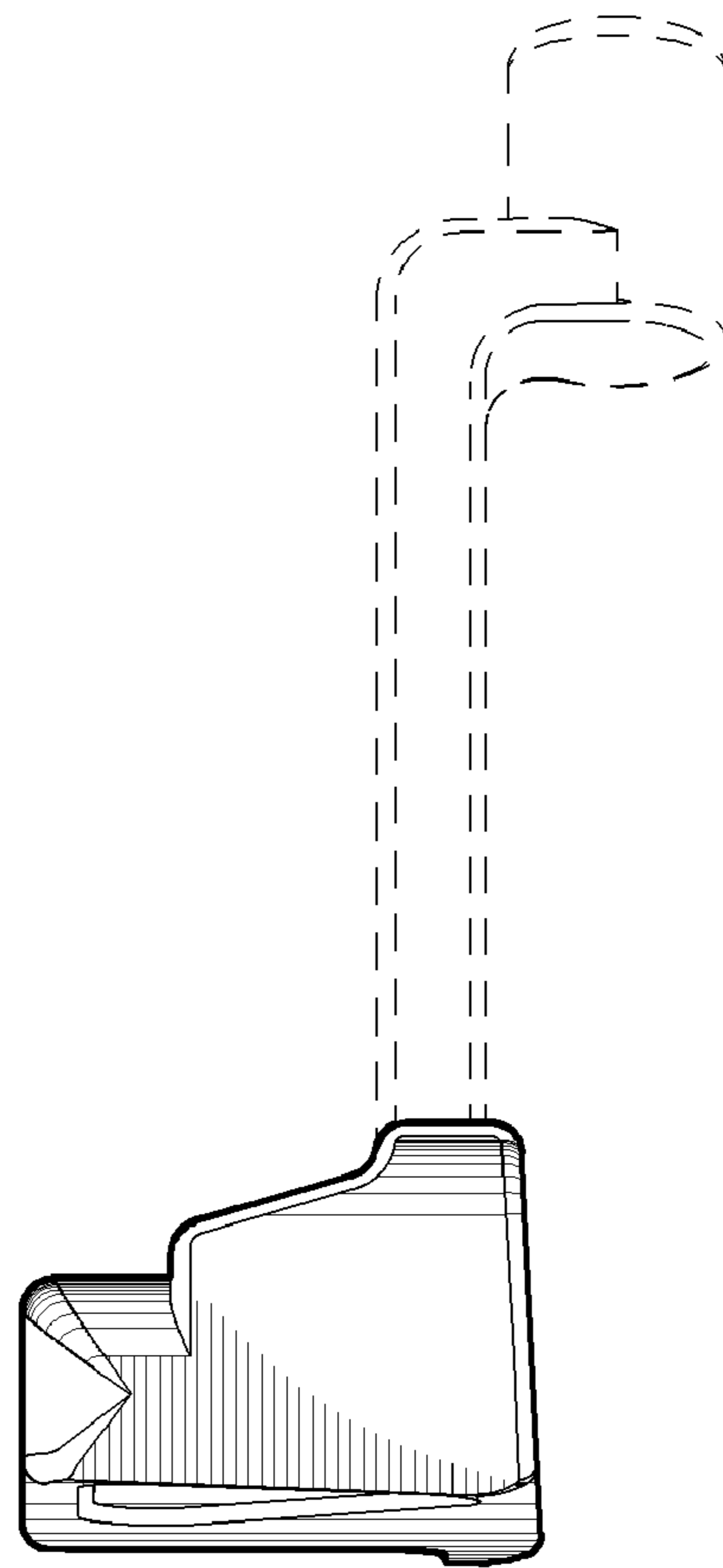


Fig. 8