

US00D574908S

(12) **United States Design Patent**  
**Hettinger et al.**

(10) **Patent No.:** **US D574,908 S**

(45) **Date of Patent:** **\*\* Aug. 12, 2008**

(54) **PUTTER HEAD**

(75) Inventors: **Ronald K. Hettinger**, Oceanside, CA  
(US); **Augustin W. Rollinson**, Carlsbad,  
CA (US)

(73) Assignee: **Callaway Golf Company**, Carlsbad, CA  
(US)

(\*\*) Term: **14 Years**

(21) Appl. No.: **29/279,916**

(22) Filed: **May 10, 2007**

(51) **LOC (8) Cl.** ..... **21-02**

(52) **U.S. Cl.** ..... **D21/743**

(58) **Field of Classification Search** ..... D21/736-746;  
473/324-331, 340-341, 251-256  
See application file for complete search history.

(56) **References Cited**

**U.S. PATENT DOCUMENTS**

D268,357 S *	3/1983	Mader	.....	D21/733
4,741,535 A *	5/1988	Leonhardt	.....	473/252
D318,701 S *	7/1991	Antonious	.....	D21/733
D323,867 S *	2/1992	Rizzotto	.....	D21/740
D327,930 S *	7/1992	Jazdzyk	.....	D21/744
D372,063 S *	7/1996	Hueber	.....	D21/752
5,997,409 A *	12/1999	Mattson	.....	473/244
D421,471 S *	3/2000	Moldovan	.....	D21/744
D430,244 S *	8/2000	Besnard et al.	.....	D21/733
D435,615 S *	12/2000	Besnard et al.	.....	D21/752
D436,638 S *	1/2001	Carrier	.....	D21/744
D442,244 S *	5/2001	Olsavsky et al.	.....	D21/752

D445,471 S *	7/2001	Besnard et al.	.....	D21/752
D446,563 S *	8/2001	Besnard et al.	.....	D21/752
D457,210 S *	5/2002	Noda	.....	D21/736
D459,425 S *	6/2002	Burnett et al.	.....	D21/752
D489,105 S *	4/2004	Kim	.....	D21/733
D505,702 S *	5/2005	Wood	.....	D21/736
D517,143 S *	3/2006	Petsel et al.	.....	D21/742
D532,844 S *	11/2006	Rollinson	.....	D21/736
D532,845 S *	11/2006	Rollinson	.....	D21/736
D534,974 S *	1/2007	Haack	.....	D21/743

\* cited by examiner

*Primary Examiner*—Mitchell I Siegel

(74) *Attorney, Agent, or Firm*—Michael A. Catania; Elaine H. Lo

(57) **CLAIM**

The ornamental design for a putter head, as shown and described.

**DESCRIPTION**

FIG. 1 is a top perspective view of a golf club head as claimed herein;

FIG. 2 is a front elevational view thereof;

FIG. 3 is a rear elevational view thereof;

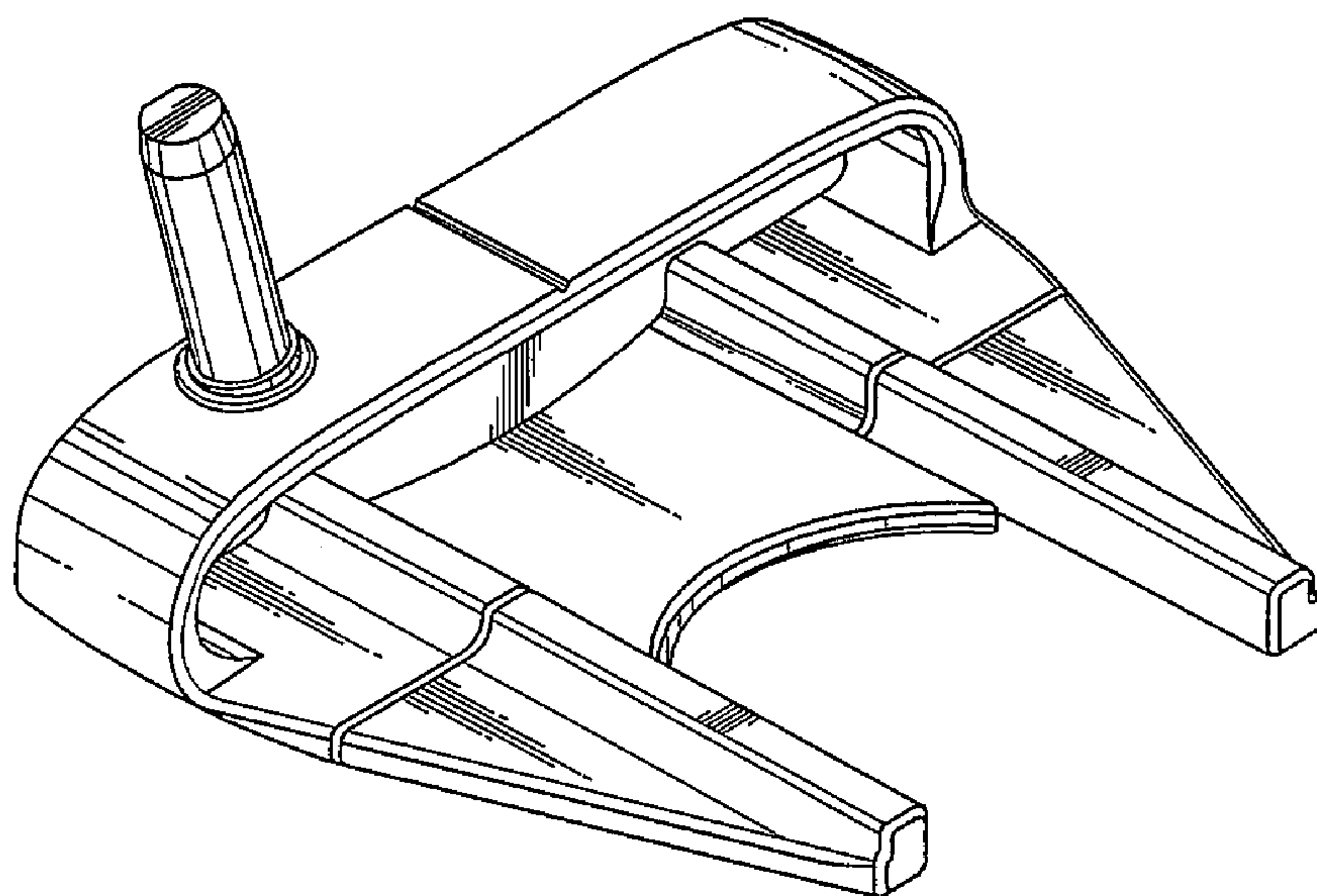
FIG. 4 is a top plan view thereof;

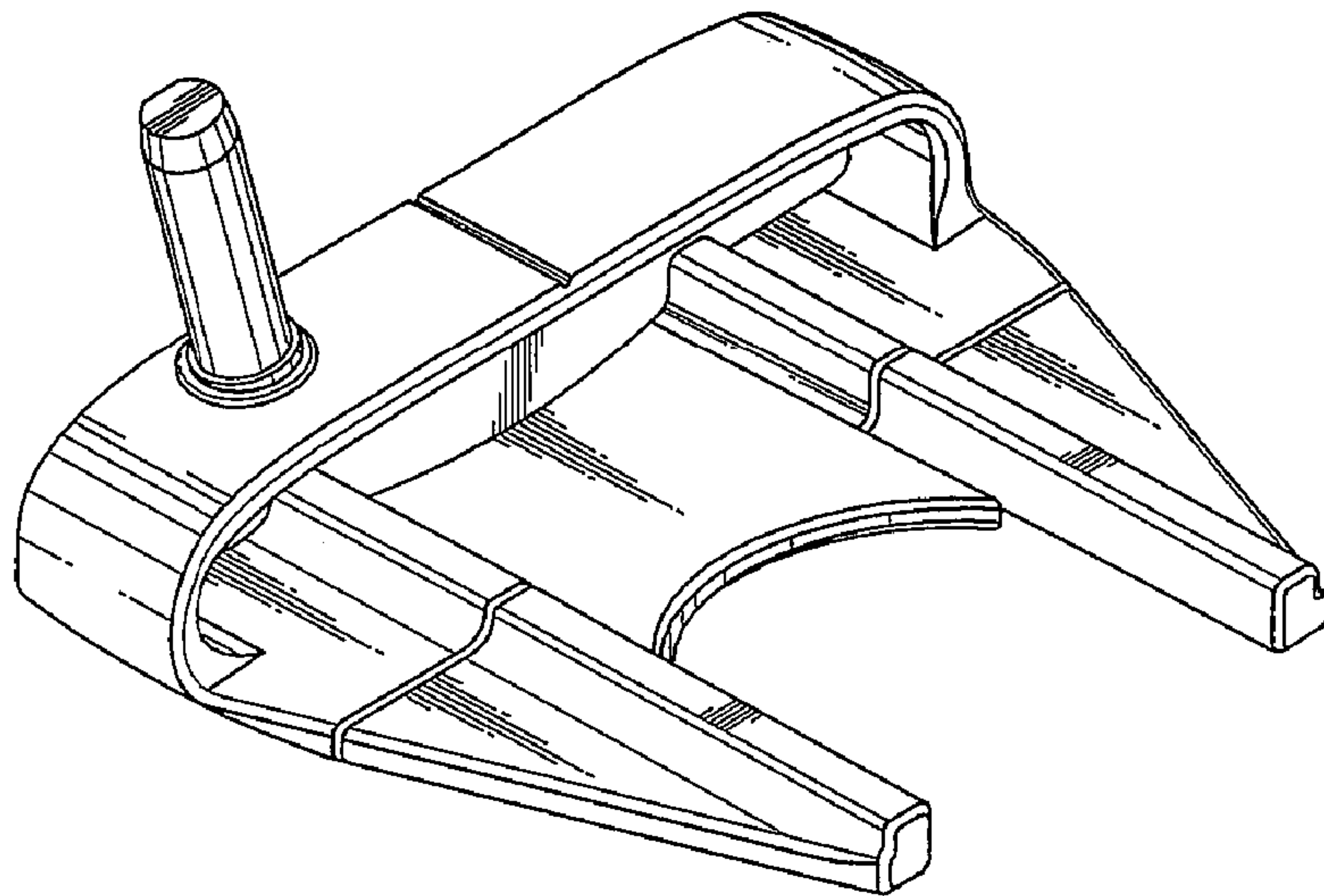
FIG. 5 is a toe elevational view thereof

FIG. 6 is a heel elevational view thereof; and,

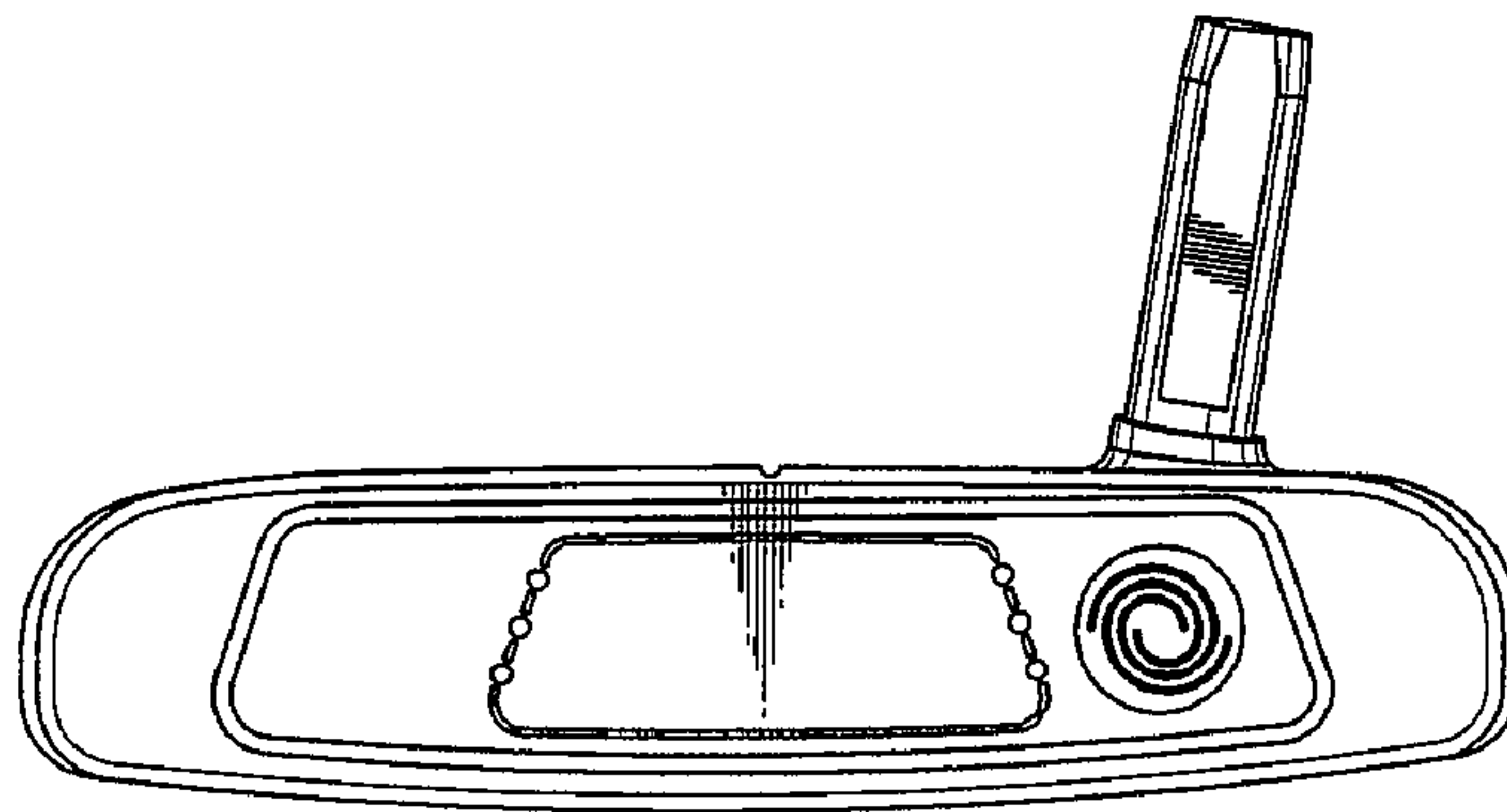
FIG. 7 is a bottom plan view thereof.

**1 Claim, 2 Drawing Sheets**

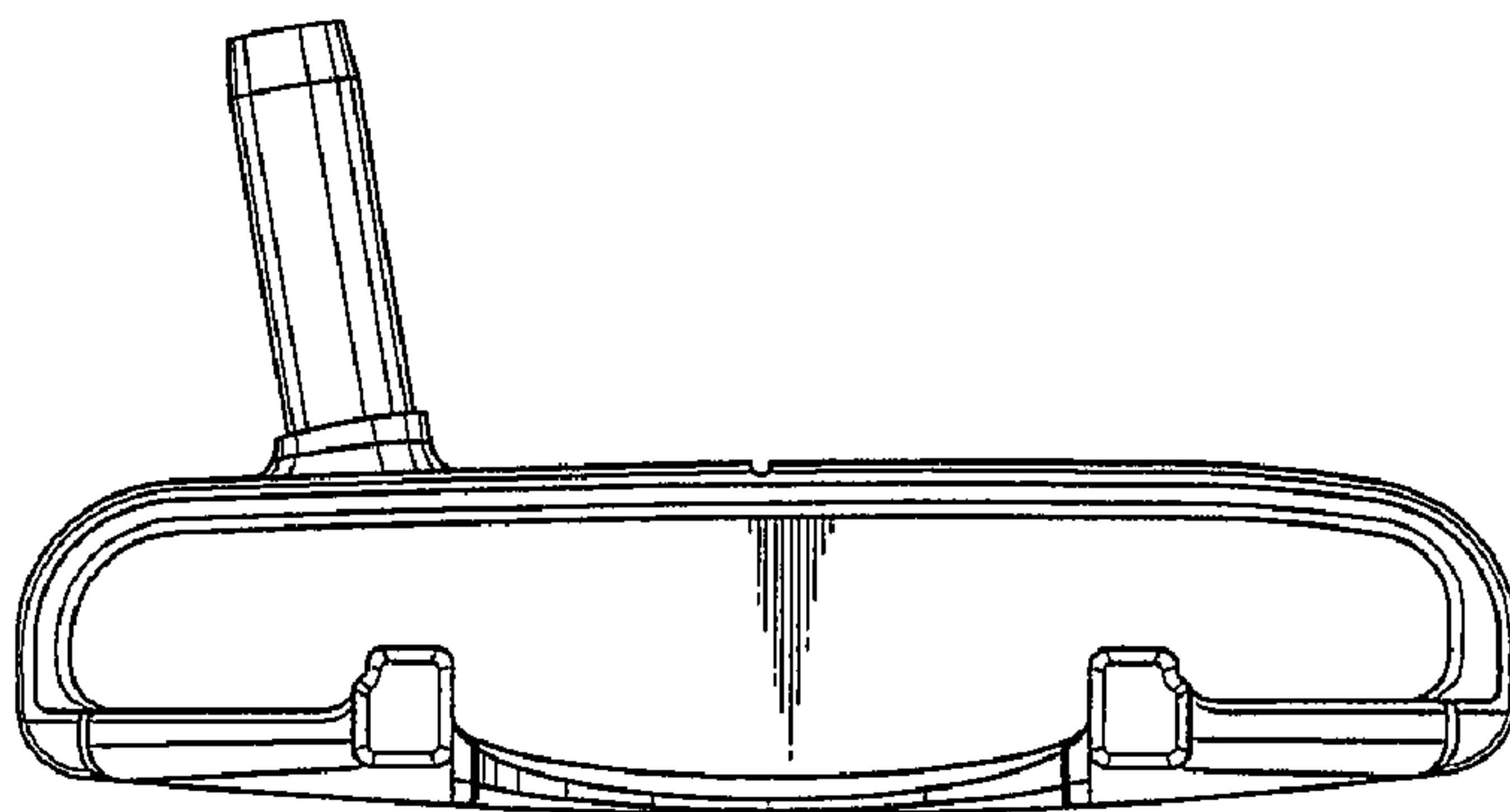




*FIG. 1*



*FIG. 2*



*FIG. 3*

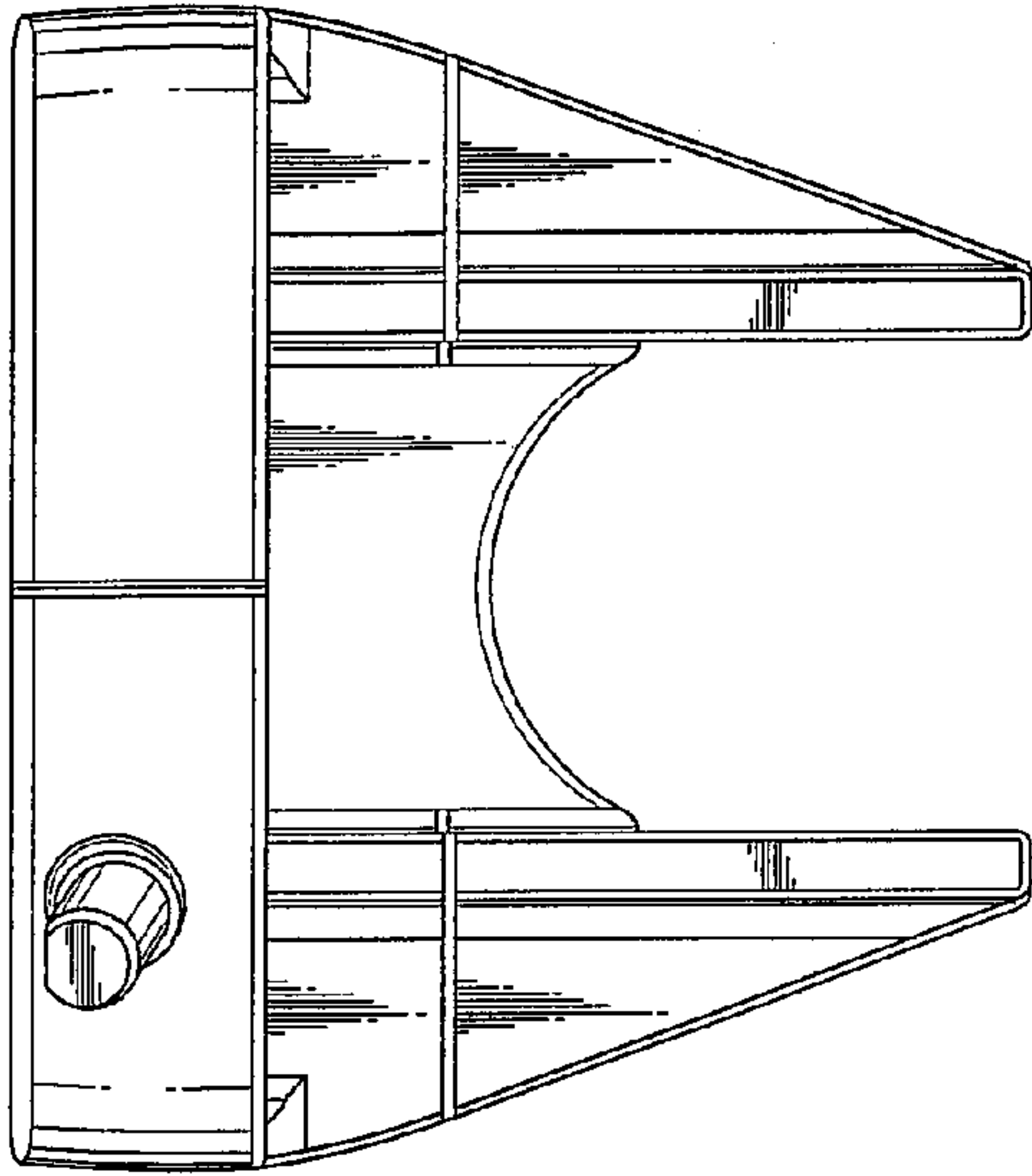


FIG. 4

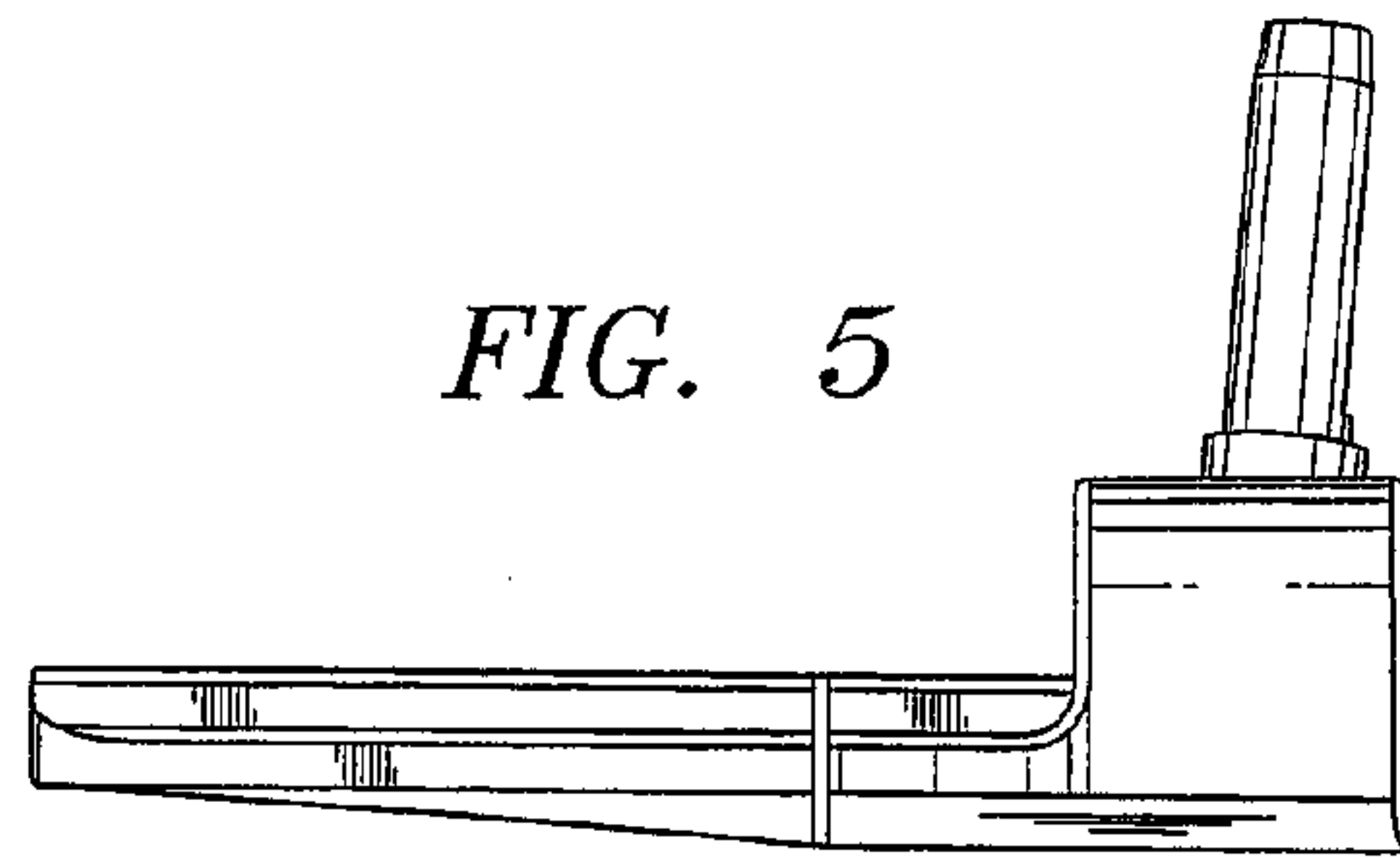


FIG. 5

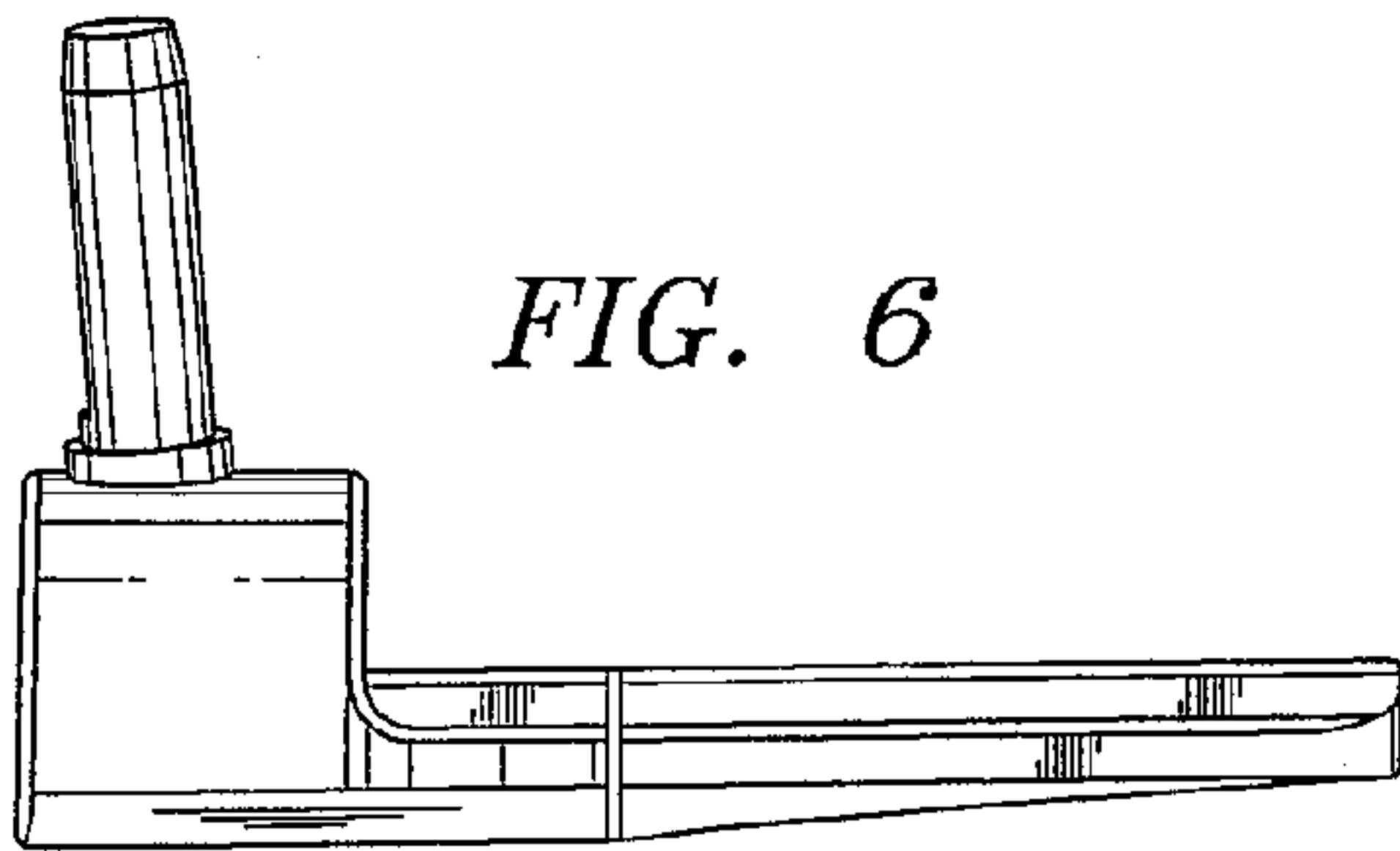


FIG. 6

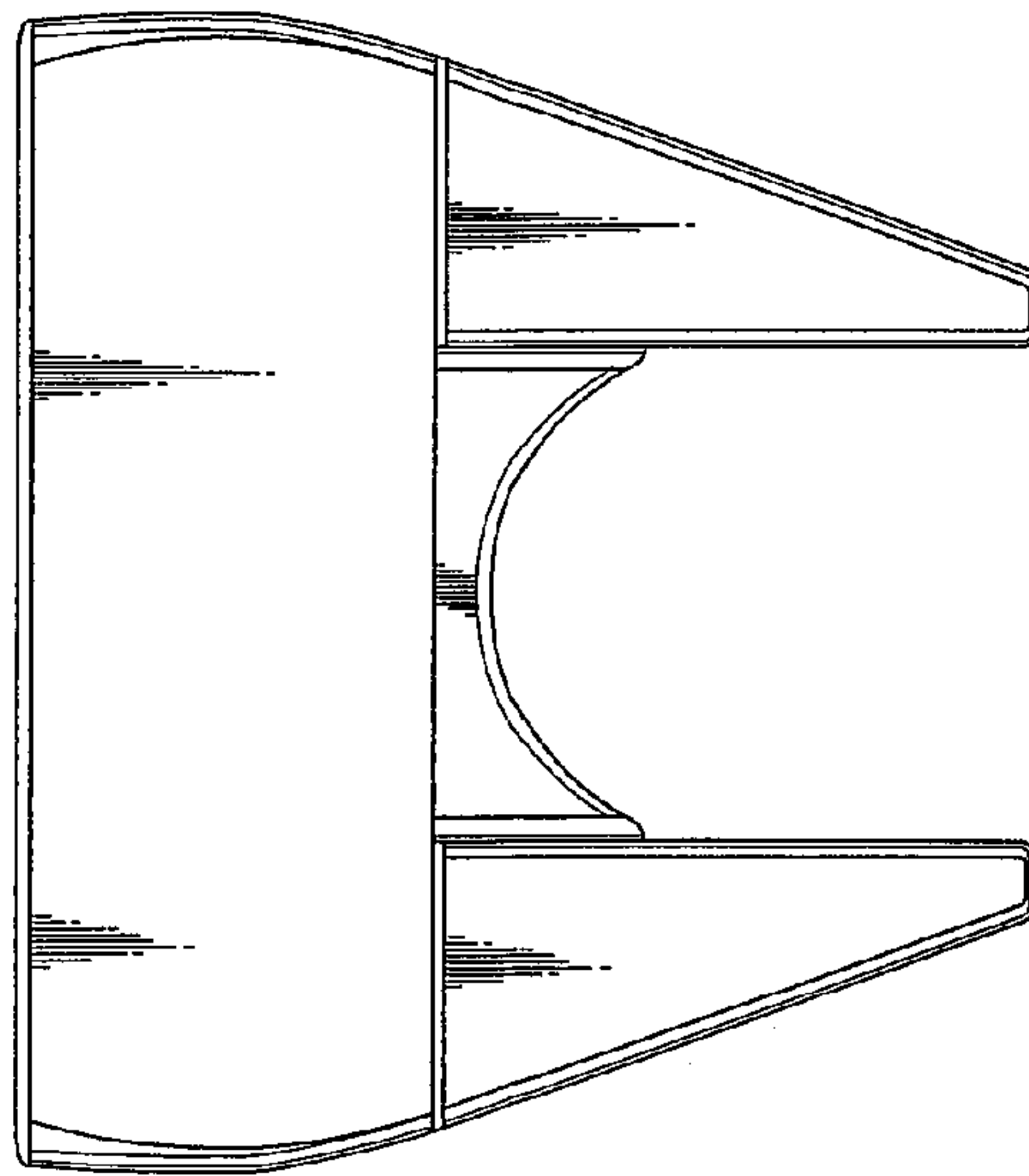


FIG. 7