



US00D574906S

(12) **United States Design Patent**  
**Jones et al.**

(10) **Patent No.:** **US D574,906 S**

(45) **Date of Patent:** **\*\* Aug. 12, 2008**

(54) **GOLF CLUB HEAD**

(75) Inventors: **David D. Jones**, Phoenix, AZ (US);  
**Xiaojian Chen**, Phoenix, AZ (US);  
**Richard R. Sanchez**, New River, AZ  
(US)

(73) Assignee: **Karsten Manufacturing Corporation**,  
Phoenix, AZ (US)

(\*\*) Term: **14 Years**

(21) Appl. No.: **29/306,649**

(22) Filed: **Apr. 14, 2008**

(51) **LOC (8) Cl.** ..... **21-02**

(52) **U.S. Cl.** ..... **D21/736**

(58) **Field of Classification Search** ..... D21/736-746,  
D21/753, 759; 473/324-331, 340-341, 251-256  
See application file for complete search history.

(56) **References Cited**

**U.S. PATENT DOCUMENTS**

2,954,231	A	9/1960	MacIntyre	
D231,375	S *	4/1974	Solheim	D21/742
D255,373	S *	6/1980	Solheim	D21/743
D283,039	S *	3/1986	Solheim	D21/743
4,655,459	A	4/1987	Antonious	
D289,912	S *	5/1987	Cotchonis	D21/744
D296,120	S *	6/1988	Brace	D21/739
D297,154	S	8/1988	Antonious	
4,915,385	A	4/1990	Anderson	
D321,232	S	10/1991	Antonious	
D324,711	S *	3/1992	Antonious	D21/736
D325,061	S	3/1992	Antonious	
D334,959	S *	4/1993	Iinuma et al.	D21/743
D341,405	S *	11/1993	Solheim	D21/743
D363,327	S *	10/1995	Greene et al.	D21/744
D363,328	S *	10/1995	Greene et al.	D21/744

D363,330	S *	10/1995	Greene et al.	D21/744
D379,391	S	5/1997	Moore	
D396,080	S *	7/1998	Bottema	D21/736
D399,911	S *	10/1998	Nicolette et al.	D21/736
D403,724	S *	1/1999	Palmer	D21/736

(Continued)

**OTHER PUBLICATIONS**

David D. Jones, et al., "Golf Putter Heads and Removable Putter Weights," U.S. Appl. No. 12/101,101, filed Apr. 10, 2008.

(Continued)

*Primary Examiner*—Mitchell I Siegel

(57) **CLAIM**

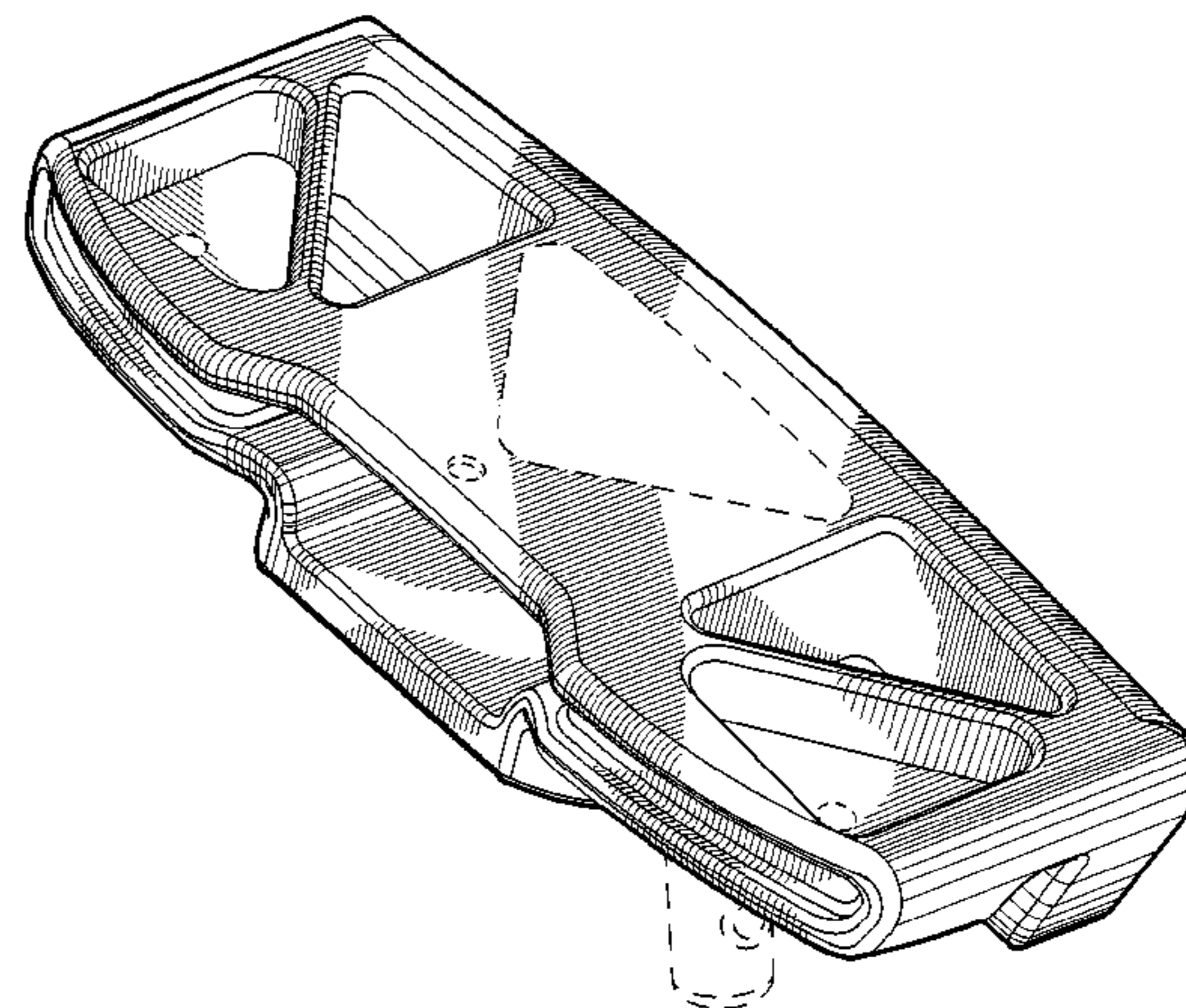
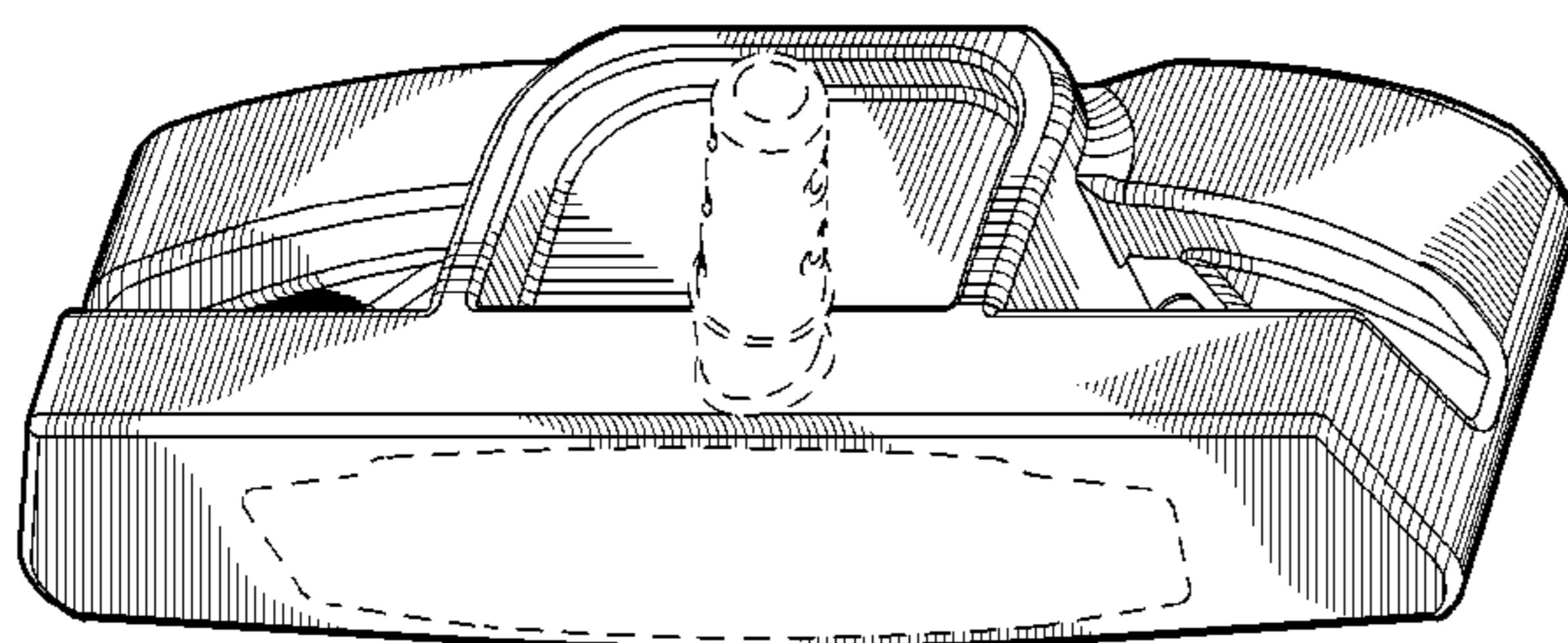
The ornamental design for a golf club head, as shown and described.

**DESCRIPTION**

FIG. 1 is a top perspective view of the golf club head;  
FIG. 2 is a bottom perspective view of the golf club head of FIG. 1;  
FIG. 3 is a front elevational view of the golf club head of FIG. 1;  
FIG. 4 is a rear elevational view of the golf club head of FIG. 1;  
FIG. 5 is a top view of the golf club head of FIG. 1;  
FIG. 6 is a bottom view of the golf club head of FIG. 1;  
FIG. 7 is a heel end view of the golf club head of FIG. 1; and,  
FIG. 8 is a toe end view of the golf club head of FIG. 1.

The broken lines shown in one or more of the figures are for illustrative purposes only and form no part of the claimed design.

**1 Claim, 4 Drawing Sheets**



# US D574,906 S

Page 2

## U.S. PATENT DOCUMENTS

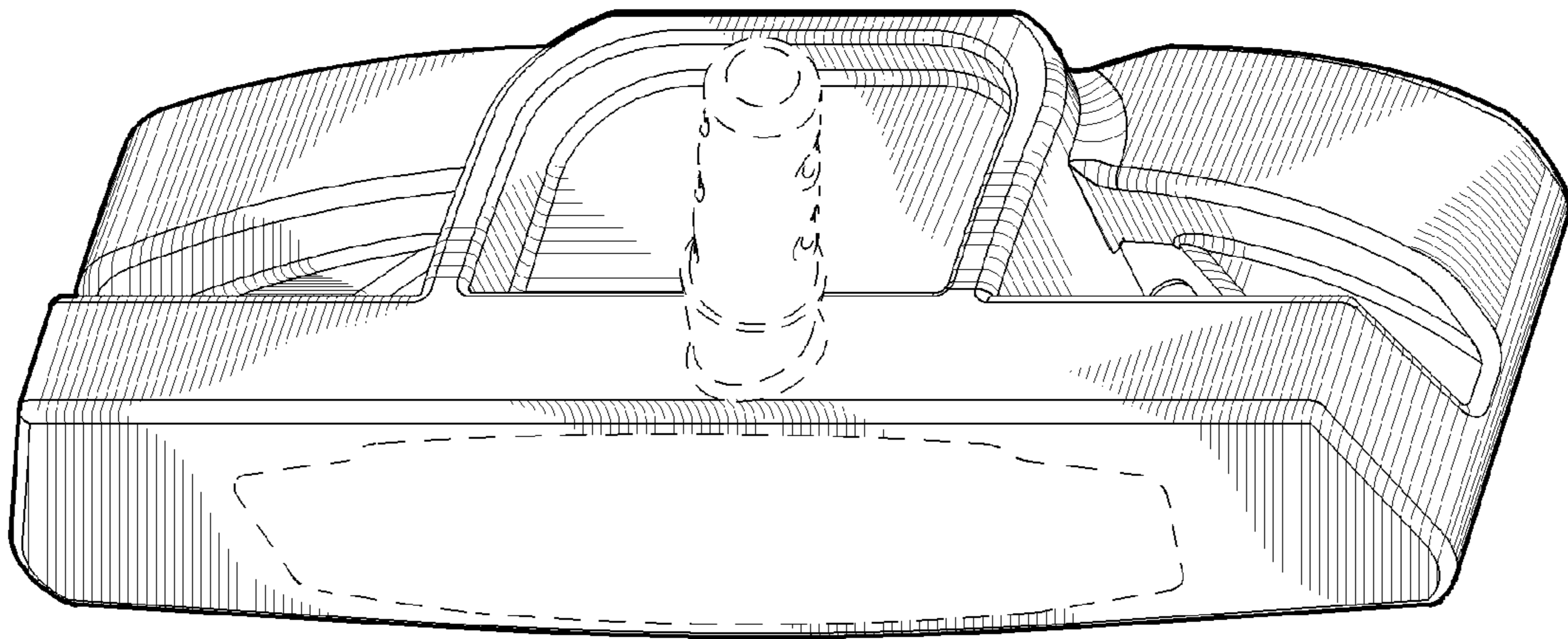
D405,836 S \* 2/1999 Nicolette et al. .... D21/736  
D408,064 S \* 4/1999 Slucker ..... D21/736  
D411,271 S \* 6/1999 Nelson ..... D21/738  
D427,262 S \* 6/2000 Frazetta ..... D21/743  
D428,634 S 7/2000 Nagai et al.  
D433,073 S 10/2000 Sodano  
D443,905 S \* 6/2001 Nicolette et al. .... D21/743  
6,375,583 B1 4/2002 Solheim  
6,409,612 B1 6/2002 Evans et al.  
D463,517 S \* 9/2002 Ngon ..... D21/736  
D485,320 S 1/2004 Breier et al.  
D486,194 S \* 2/2004 Helmstetter et al. .... D21/743  
D498,276 S \* 11/2004 Schweigert et al. .... D21/743  
D500,109 S \* 12/2004 Solheim et al. .... D21/736  
D500,110 S \* 12/2004 Solheim et al. .... D21/742  
6,958,019 B2 10/2005 Rohrer  
6,960,140 B2 \* 11/2005 Solheim et al. .... 473/251  
6,966,845 B2 11/2005 Solheim et al.  
7,052,411 B2 5/2006 Solheim et al.  
D522,598 S \* 6/2006 Solheim et al. .... D21/742  
D524,887 S 7/2006 Jones et al.  
D525,327 S \* 7/2006 Jones et al. .... D21/736  
D525,328 S 7/2006 Solheim et al.  
D525,329 S \* 7/2006 Jones et al. .... D21/736  
7,086,957 B2 8/2006 Solheim et al.  
D527,777 S 9/2006 Solheim et al.  
D532,842 S \* 11/2006 Jones et al. .... D21/736  
D532,843 S \* 11/2006 Jones et al. .... D21/736  
D541,362 S 4/2007 Oldknow

7,220,189 B2 5/2007 Wieland et al.  
7,235,021 B2 6/2007 Solheim et al.  
D547,403 S \* 7/2007 Serrano et al. .... D21/736  
D547,404 S \* 7/2007 Serrano et al. .... D21/736  
D547,405 S \* 7/2007 Serrano et al. .... D21/736  
7,255,650 B2 \* 8/2007 Braynt et al. .... 473/252  
D555,220 S 11/2007 Flaherty  
2004/0110574 A1 6/2004 Green  
2006/0148585 A1 7/2006 Vinton  
2007/0117653 A1 5/2007 Yoneyama  
2007/0207875 A1 9/2007 Kuan et al.

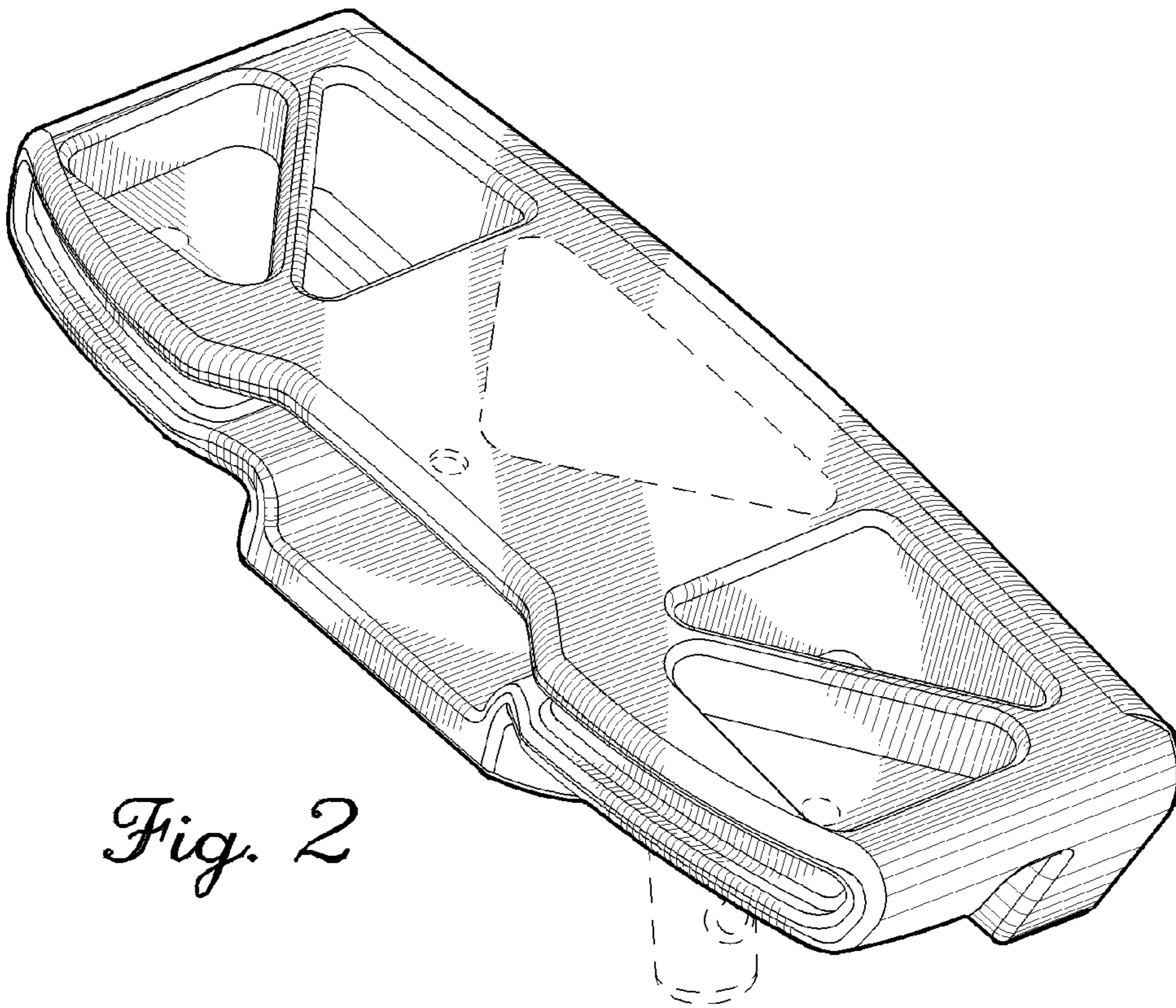
## OTHER PUBLICATIONS

David D. Jones, et al., "Golf Club Head," U.S. Appl. No. 29/306,644, filed Apr. 14, 2008.  
David D. Jones, et al., "Golf Club Head," U.S. Appl. No. 29/306,646, filed Apr. 14, 2008.  
David D. Jones, et al., "Golf Club Head," U.S. Appl. No. 29/306,647, filed Apr. 14, 2008.  
David D. Jones, et al., "Golf Club Head," U.S. Appl. No. 29/306,652, filed Apr. 14, 2008.  
David D. Jones, et al., "Golf Club Head," U.S. Appl. No. 29/306,655, filed Apr. 14, 2008.  
David D. Jones, et al., "Golf Club Head," U.S. Appl. No. 29/306,663, filed Apr. 14, 2008.  
David D. Jones, et al., "Badge for Golf Club Head," U.S. Appl. No. 29/306,668, Apr. 14, 2008.  
David D. Jones, et al., "Golf Putter Head," U.S. Appl. No. 29/282,459, filed Jul. 20, 2007.

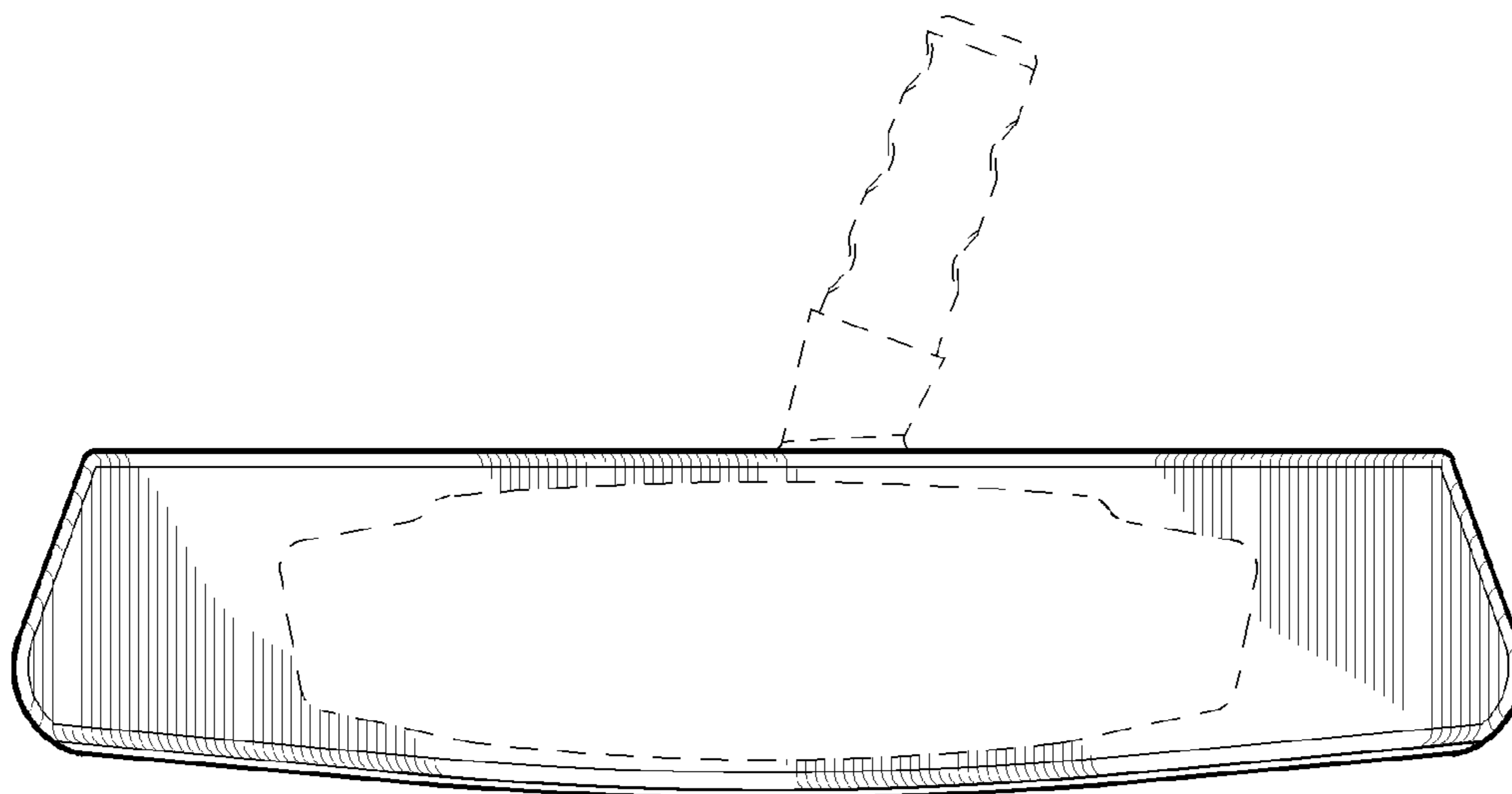
\* cited by examiner



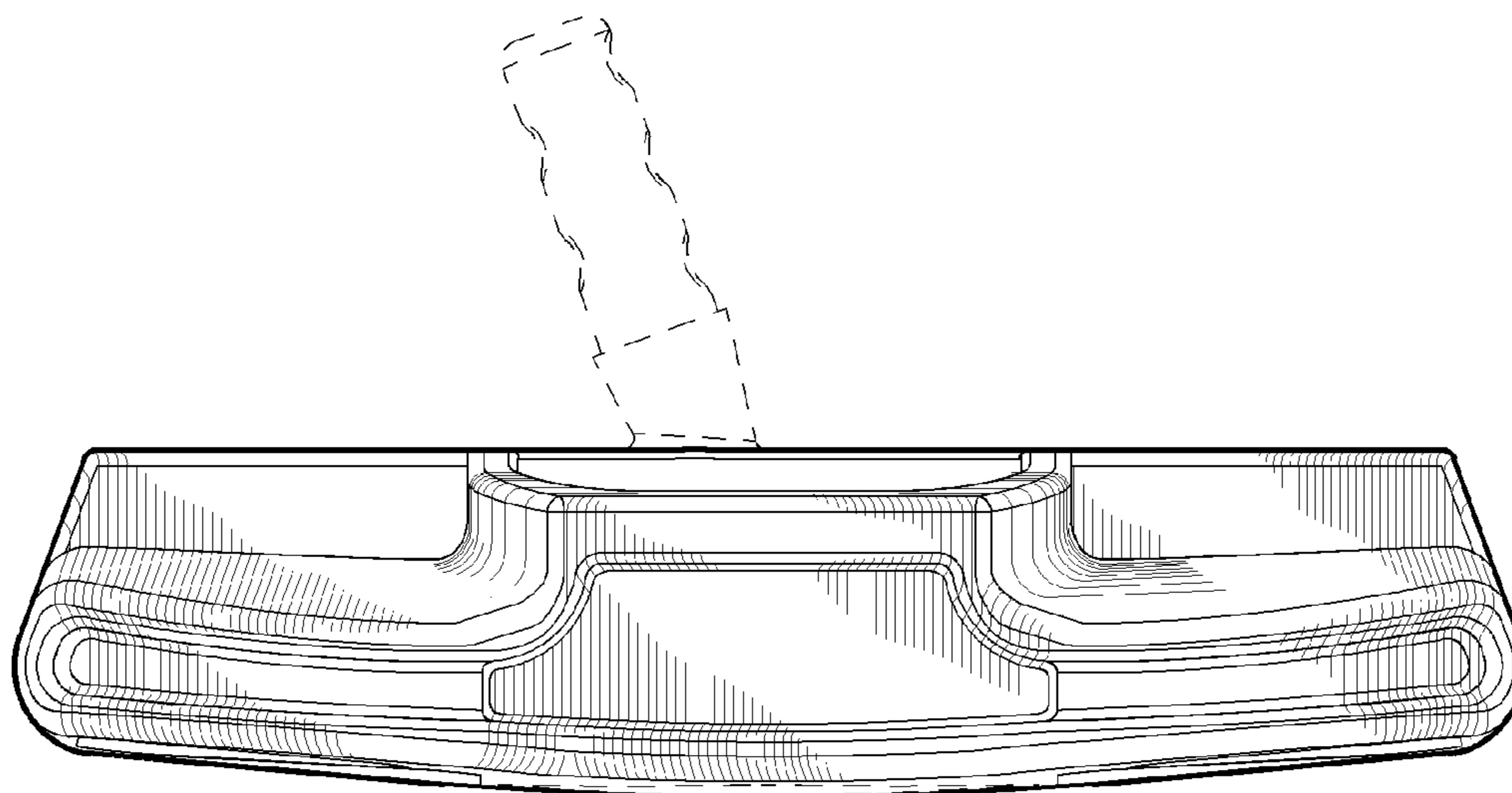
*Fig. 1*



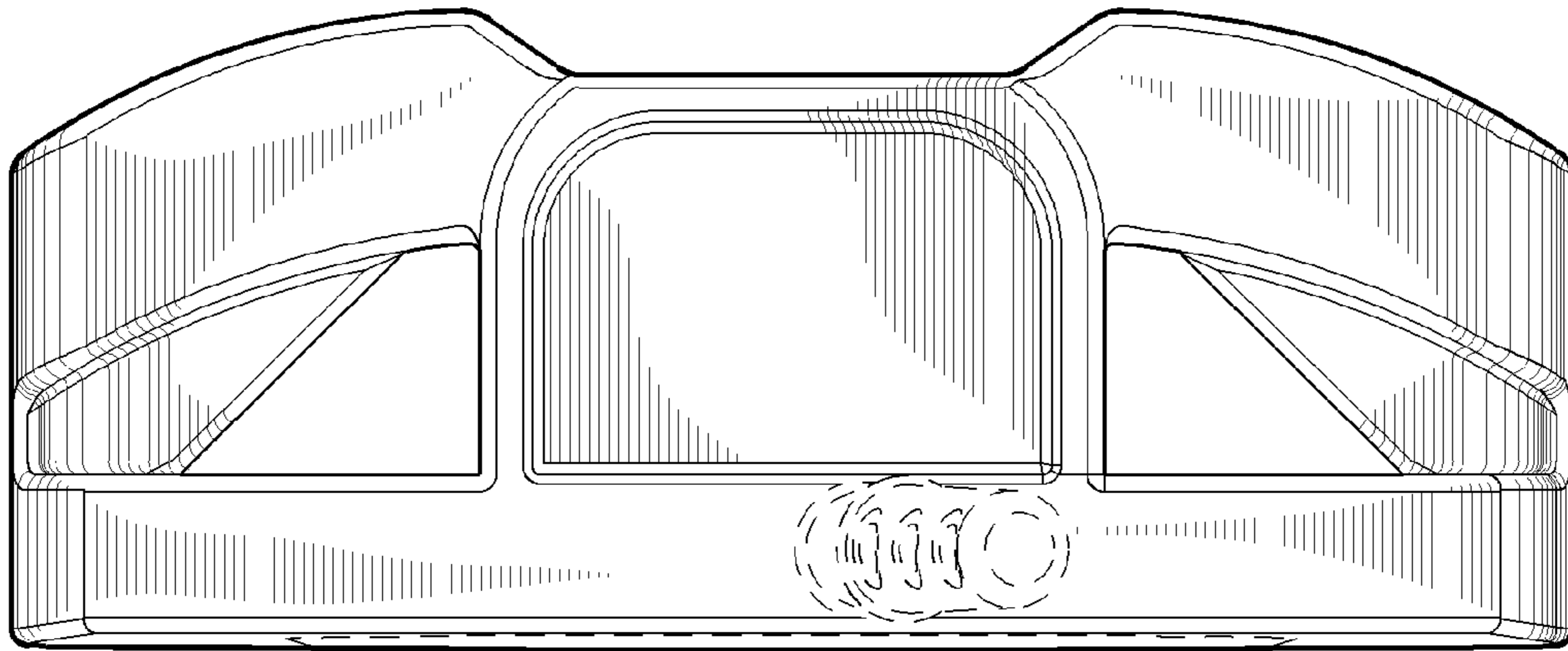
*Fig. 2*



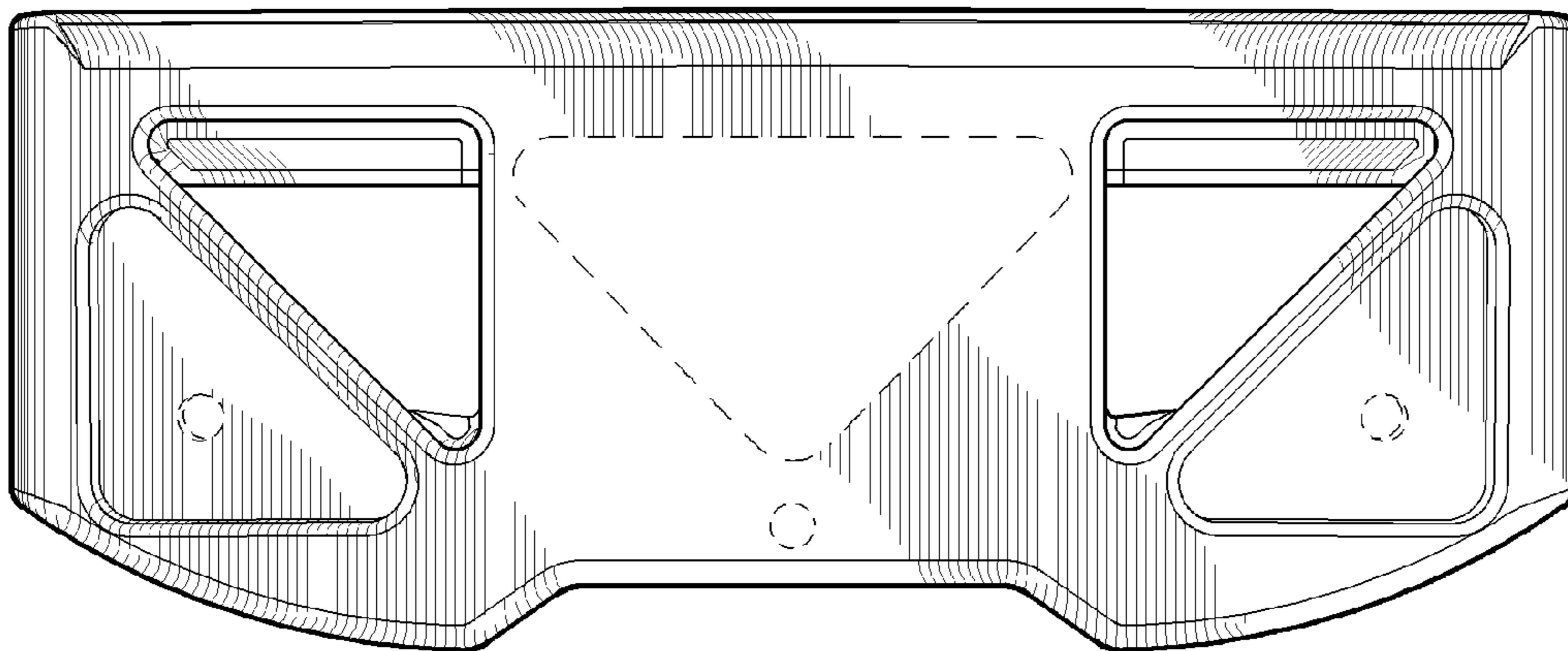
*Fig. 3*



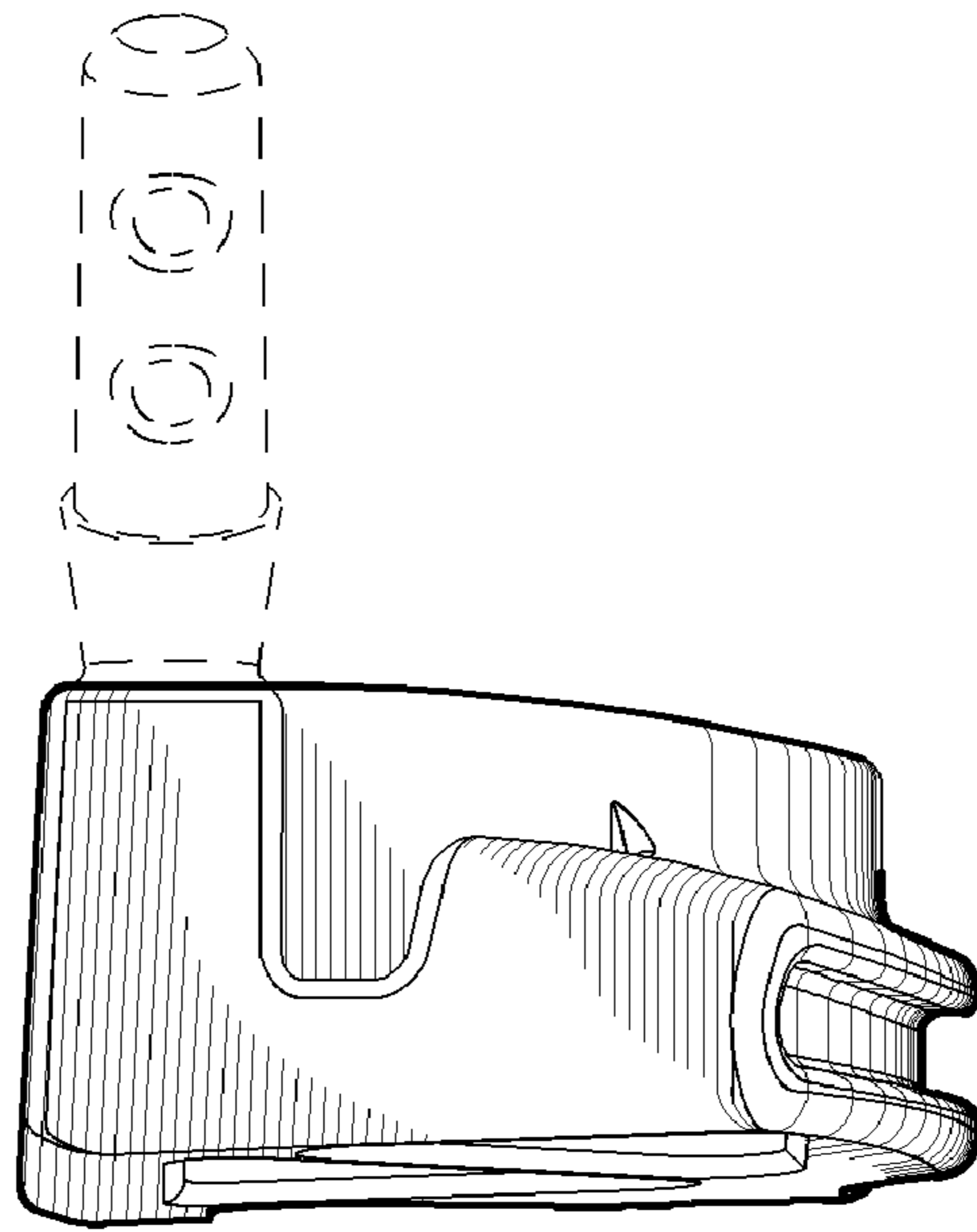
*Fig. 4*



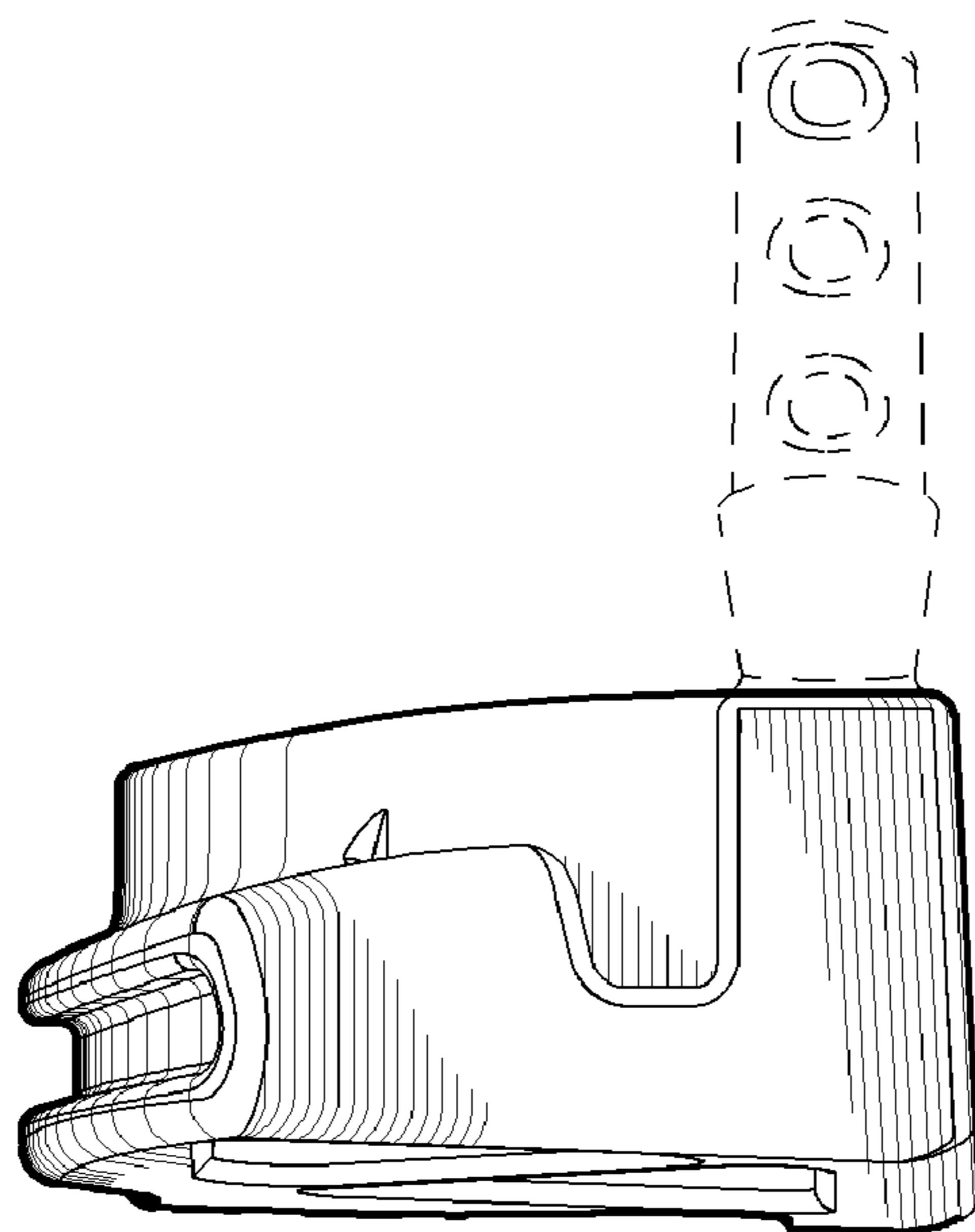
*Fig. 5*



*Fig. 6*



*Fig. 7*



*Fig. 8*