



US00D574901S

(12) **United States Design Patent**
Campanaro et al.

(10) **Patent No.:** **US D574,901 S**

(45) **Date of Patent:** **** Aug. 12, 2008**

(54) **ABDOMINAL EXERCISE APPARATUS**

(75) Inventors: **Thomas J. Campanaro**, Rancho Santa Fe, CA (US); **Dan McCutcheon**, San Diego, CA (US); **Charles Joseph Mahon**, Downingtown, PA (US)

(73) Assignee: **Engineering Fitness International Corp.**, San Diego, CA (US)

(**) Term: **14 Years**

(21) Appl. No.: **29/280,314**

(22) Filed: **May 23, 2007**

(51) **LOC (8) Cl.** **21-02**

(52) **U.S. Cl.** **D21/687**

(58) **Field of Classification Search** D21/662,
D21/686, 687, 690, 691; 482/91, 92, 141,
482/142, 140; D6/601

See application file for complete search history.

(56) **References Cited**

U.S. PATENT DOCUMENTS

5,224,914 A * 7/1993 Friedman 482/127
5,545,114 A * 8/1996 Gvoich 482/140
D381,378 S * 7/1997 Colonello et al. D21/687
D385,930 S * 11/1997 Chen D21/687
5,725,463 A * 3/1998 Colonello et al. 482/140
5,752,901 A * 5/1998 Lee 482/130

6,117,057 A * 9/2000 Olschansky et al. 482/140
6,220,995 B1 * 4/2001 Chen 482/140
6,390,960 B1 * 5/2002 Boland 482/140
D496,701 S * 9/2004 Chung D21/687

* cited by examiner

Primary Examiner—Philip Hyder

(74) *Attorney, Agent, or Firm*—Stephen C. Beuerle;
Procopio, Cory, Hargreaves & Savitch LLP

(57) **CLAIM**

The ornamental design for an abdominal exercise apparatus, as shown and described.

DESCRIPTION

FIG. 1 is a top perspective view of the abdominal exercise apparatus;

FIG. 2 is a bottom perspective view thereof;

FIG. 3 is a top plan view thereof;

FIG. 4 is a bottom plan view thereof;

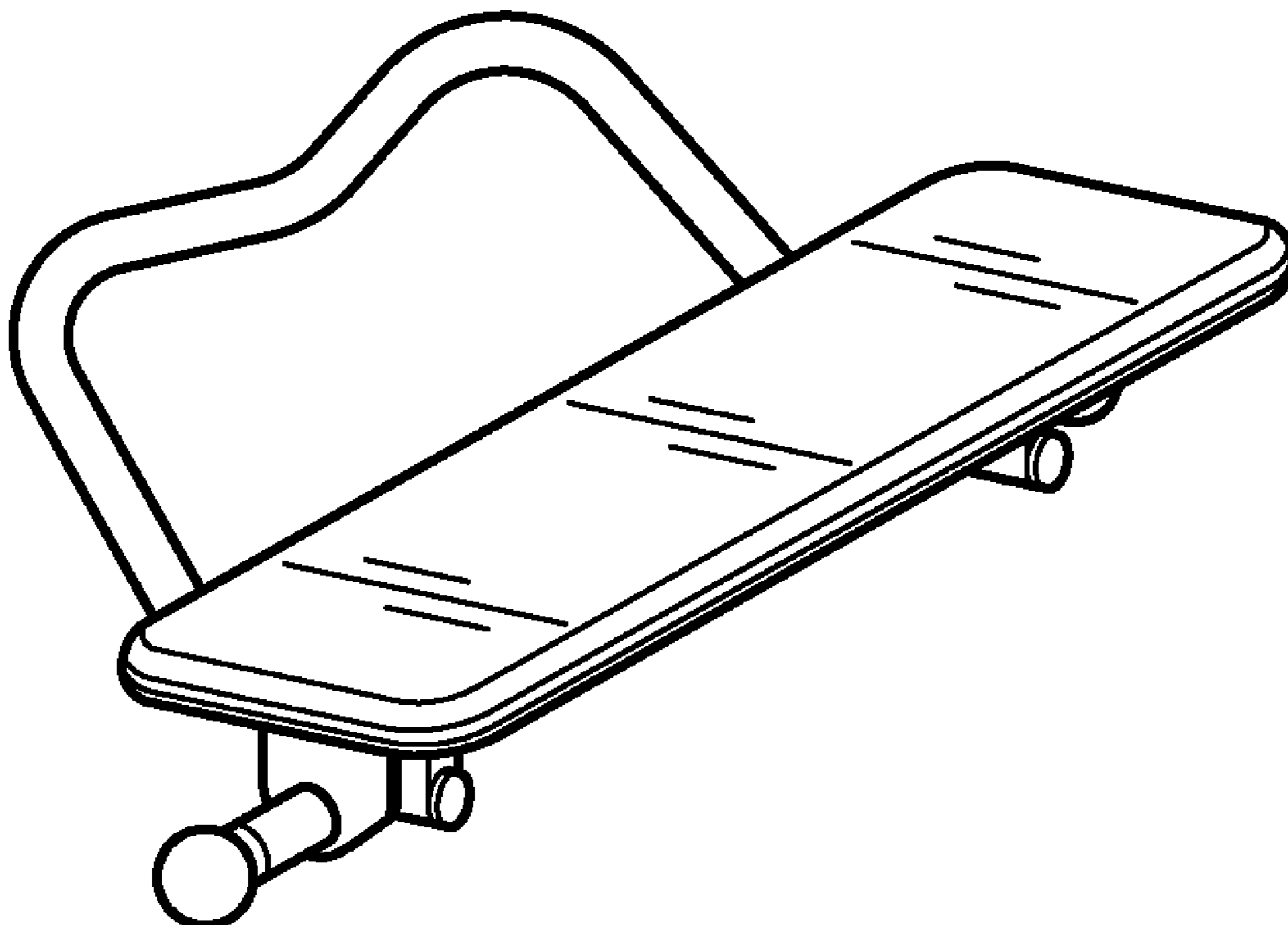
FIG. 5 is a left side elevational view thereof with the right side elevational view being a mirror image thereof;

FIG. 6 is a front elevational view thereof;

FIG. 7 is a right side elevational view thereof; and,

FIG. 8 is a rear elevational view thereof.

1 Claim, 1 Drawing Sheet



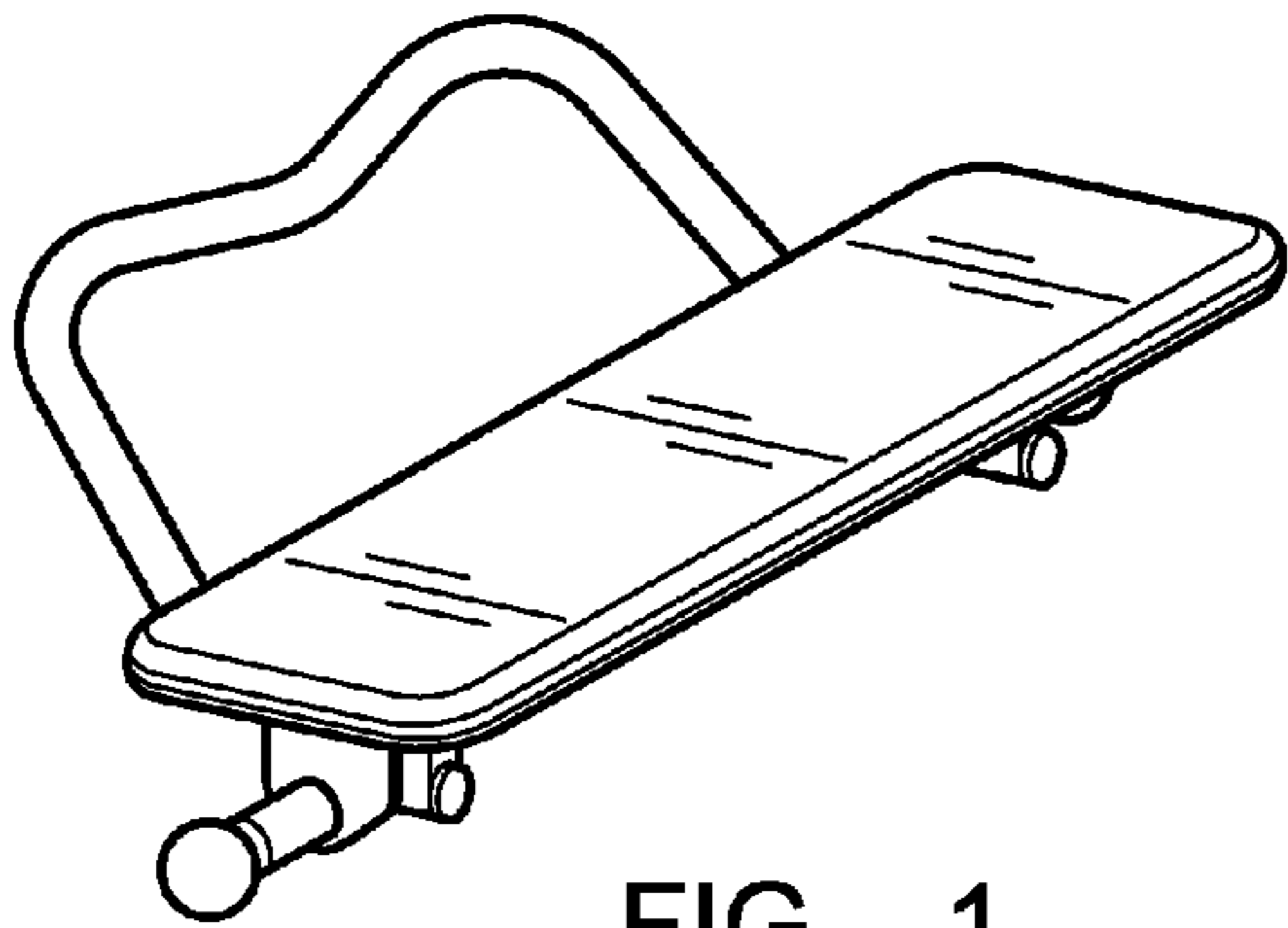


FIG. 1

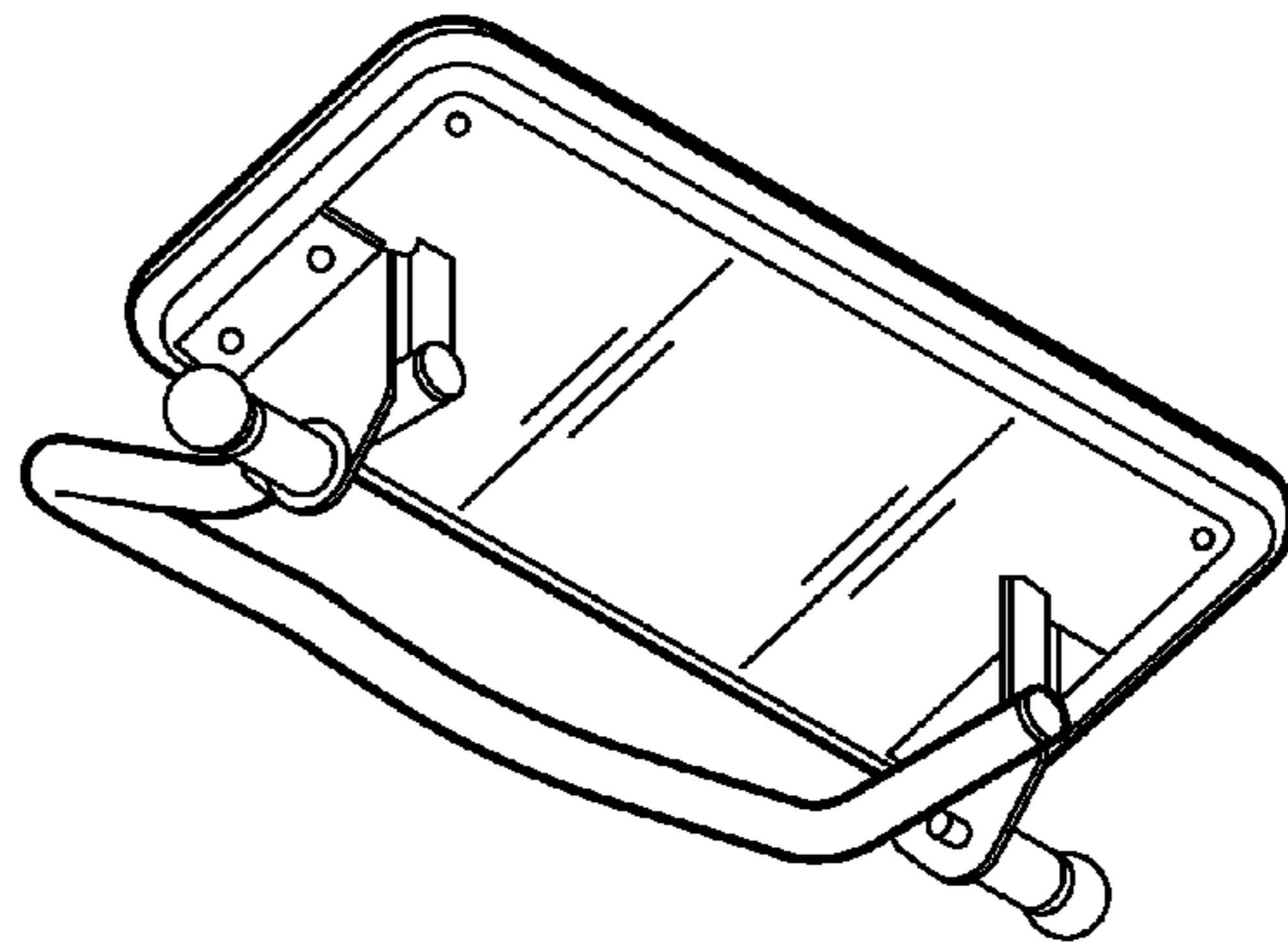


FIG. 2

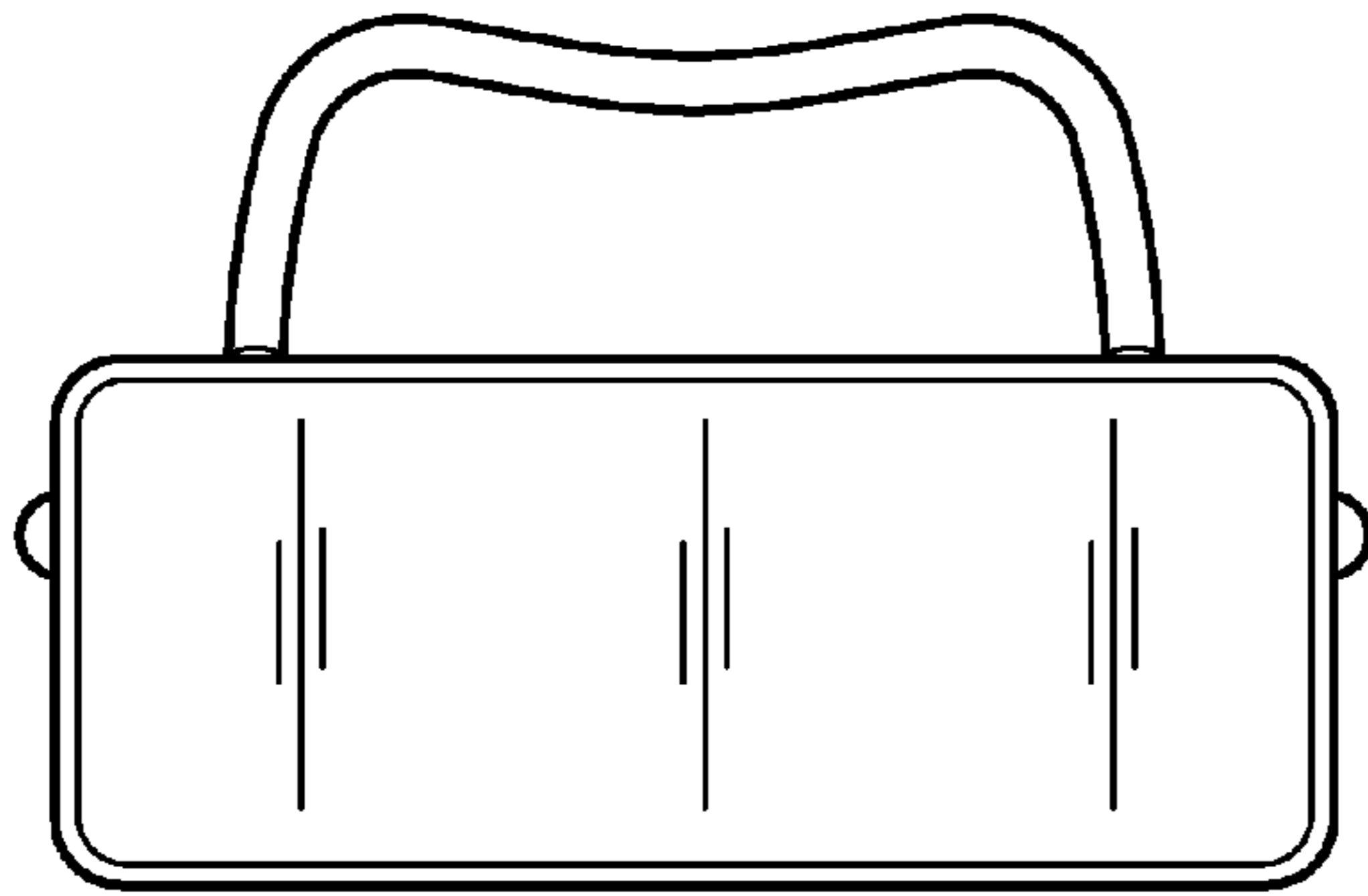


FIG. 3

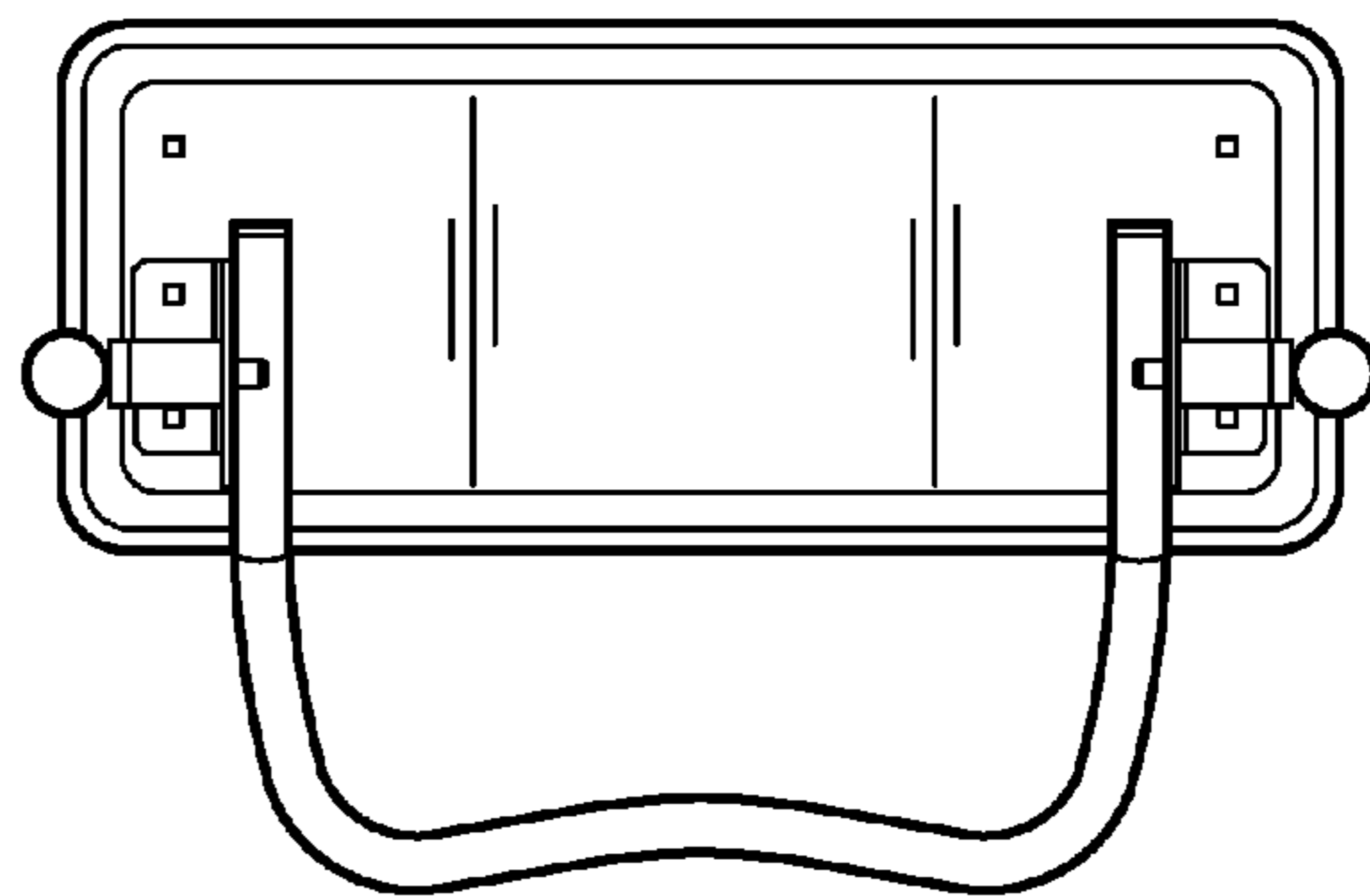


FIG. 4

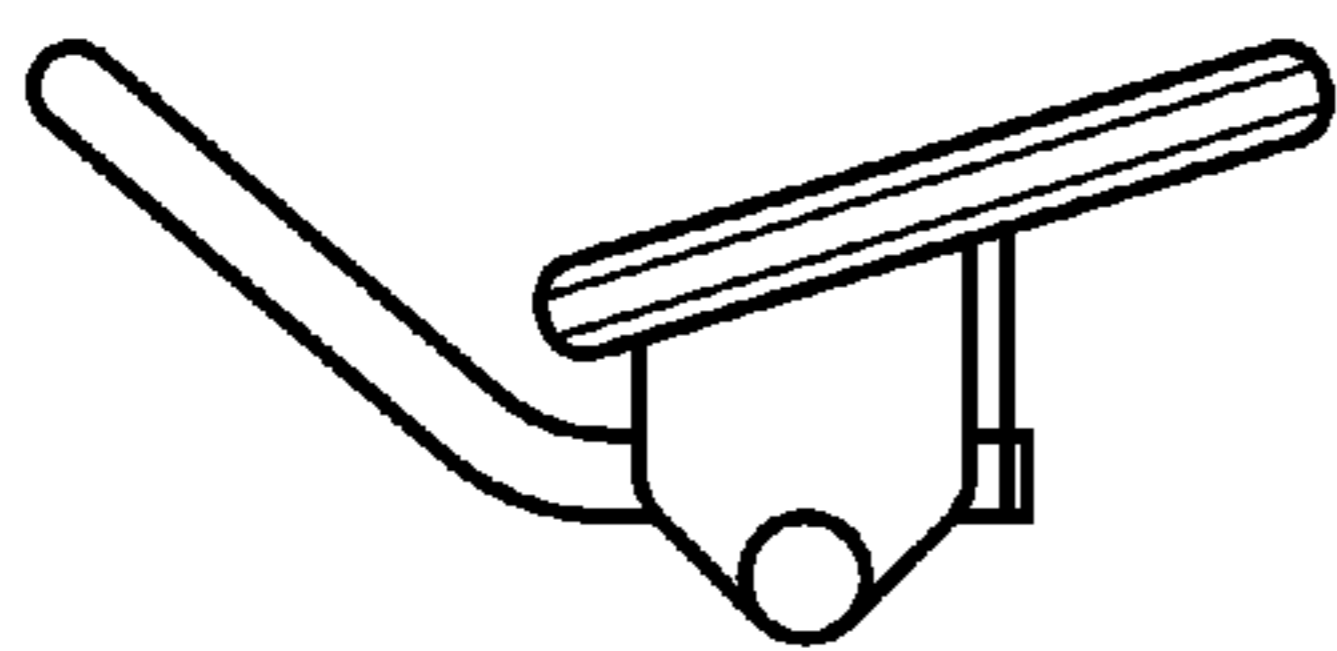


FIG. 5

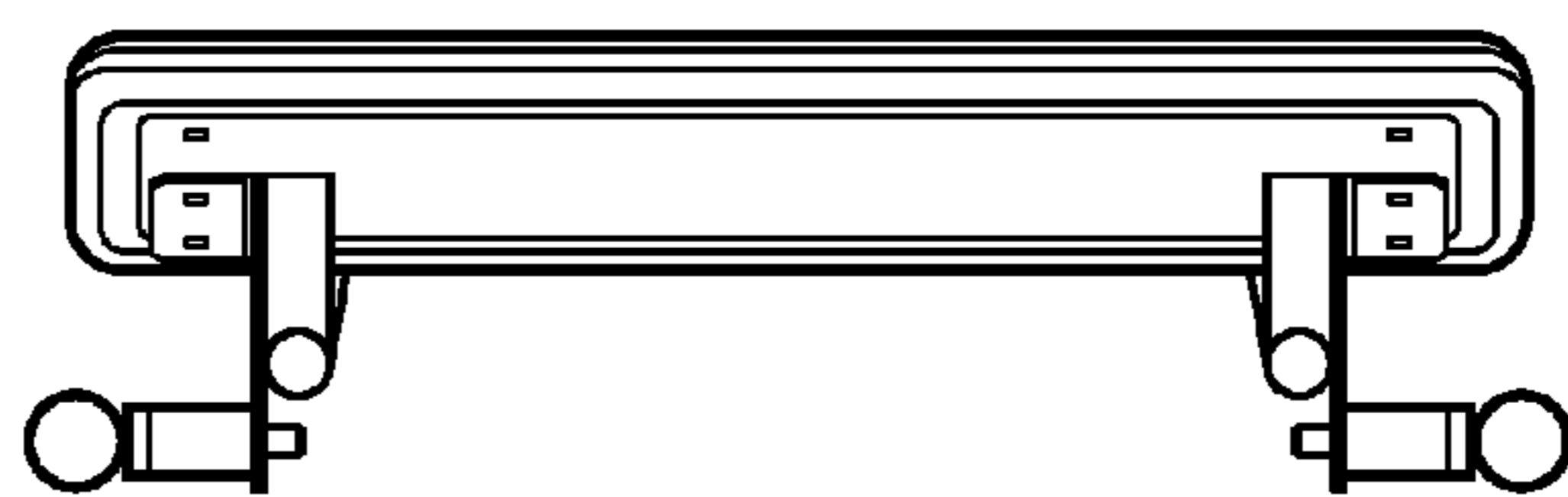


FIG. 6

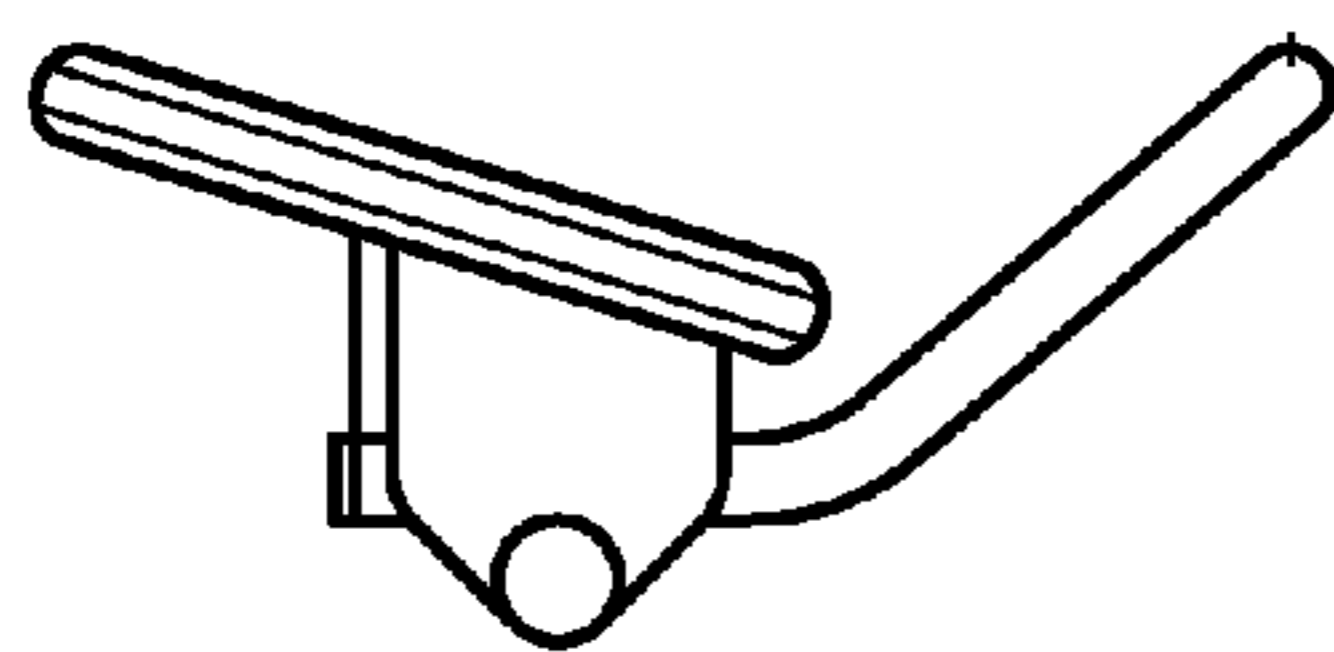


FIG. 7

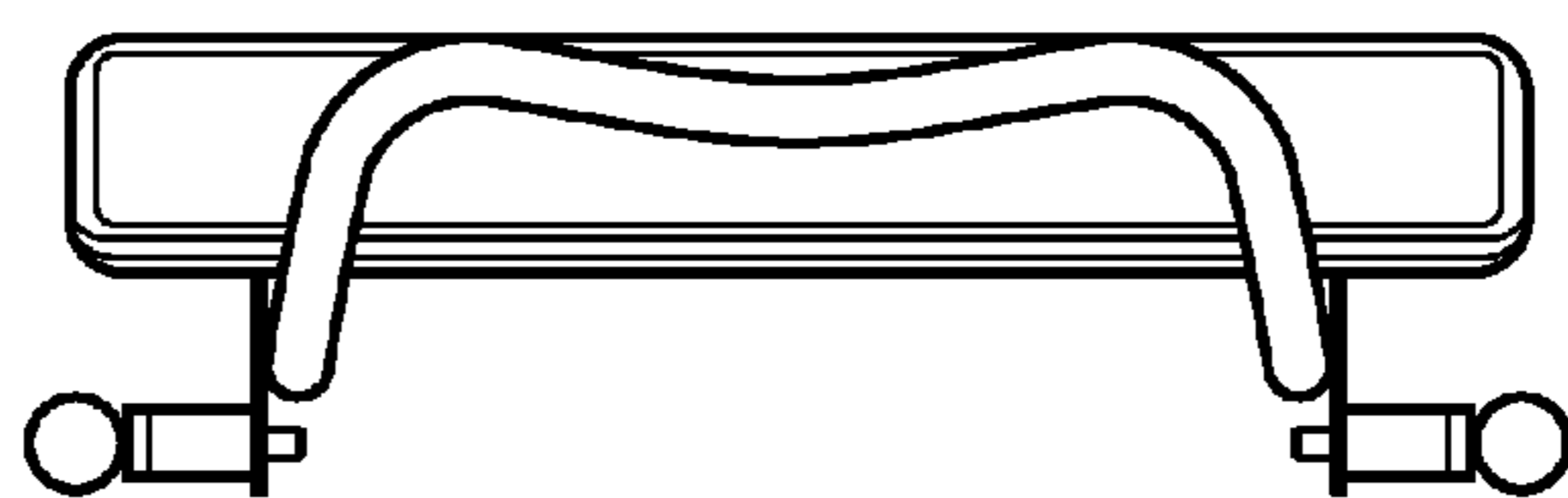


FIG. 8