



US00D574897S

(12) **United States Design Patent**
Boyle

(10) **Patent No.:** **US D574,897 S**

(45) **Date of Patent:** **** Aug. 12, 2008**

(54) **ROPING DUMMY**

(76) Inventor: **Timothy E. Boyle**, 5180 Tapo Canyon Rd., Simi Valley, CA (US) 93063

(**) Term: **14 Years**

(21) Appl. No.: **29/257,582**

(22) Filed: **Apr. 5, 2006**

(51) **LOC (8) Cl.** **21-01**

(52) **U.S. Cl.** **D21/304; D21/610**

(58) **Field of Classification Search** D21/304,
D21/576-578, 584-592, 610; D11/158;
273/348, 259, 440; 446/72, 97-98, 268-269,
446/321, 369

See application file for complete search history.

(56) **References Cited**

U.S. PATENT DOCUMENTS

D194,914 S *	4/1963	Markham	D21/610
3,303,821 A *	2/1967	Harris	273/359
D230,282 S *	2/1974	Johnson	D11/158
4,981,302 A *	1/1991	Narramore	273/339
4,995,618 A *	2/1991	Panzner	273/367
5,286,032 A *	2/1994	Spencer	273/339
D429,294 S *	8/2000	Taylor	D21/610

6,736,399 B1 * 5/2004 Copenhaver 273/339
D542,357 S * 5/2007 Kirchenschlager D21/304

* cited by examiner

Primary Examiner—Sandra Morris

(74) *Attorney, Agent, or Firm*—Colin P. Abrahams

(57) **CLAIM**

I claim the ornamental design for a roping dummy, as shown.

DESCRIPTION

FIG. 1 is a side view of a roping dummy incorporating my new design;

FIG. 2 is a bottom view of the roping dummy shown in FIG. 1 of the drawings;

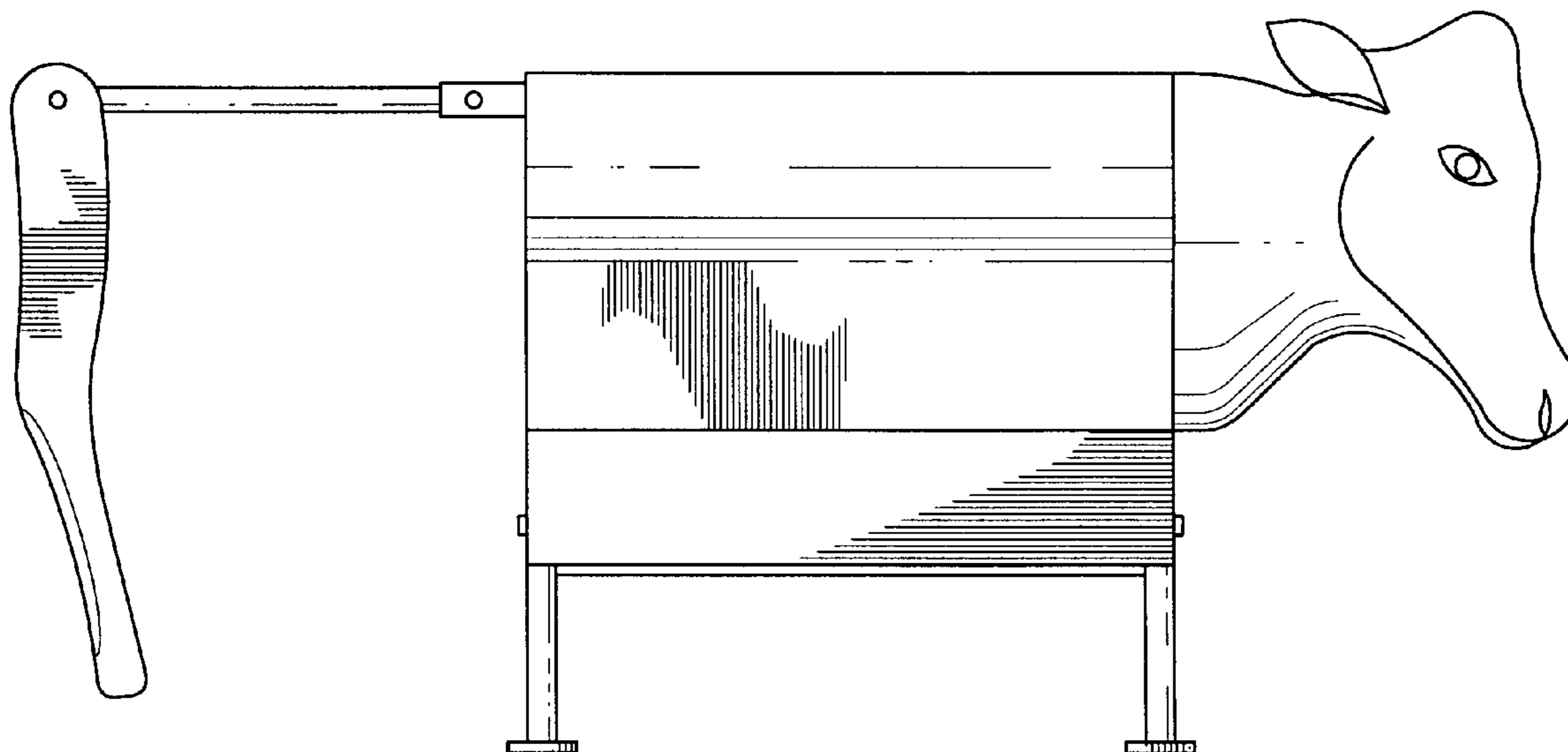
FIG. 3 is a top view of the roping dummy shown in FIG. 1 of the drawings;

FIG. 4 is a rear end view of the roping dummy shown in FIG. 1 of the drawings;

FIG. 5 is a front view detail of the head of the roping dummy shown in FIG. 1 of the drawings; and,

FIG. 6 is a front view of the roping dummy shown in FIG. 1 of the drawings.

1 Claim, 4 Drawing Sheets



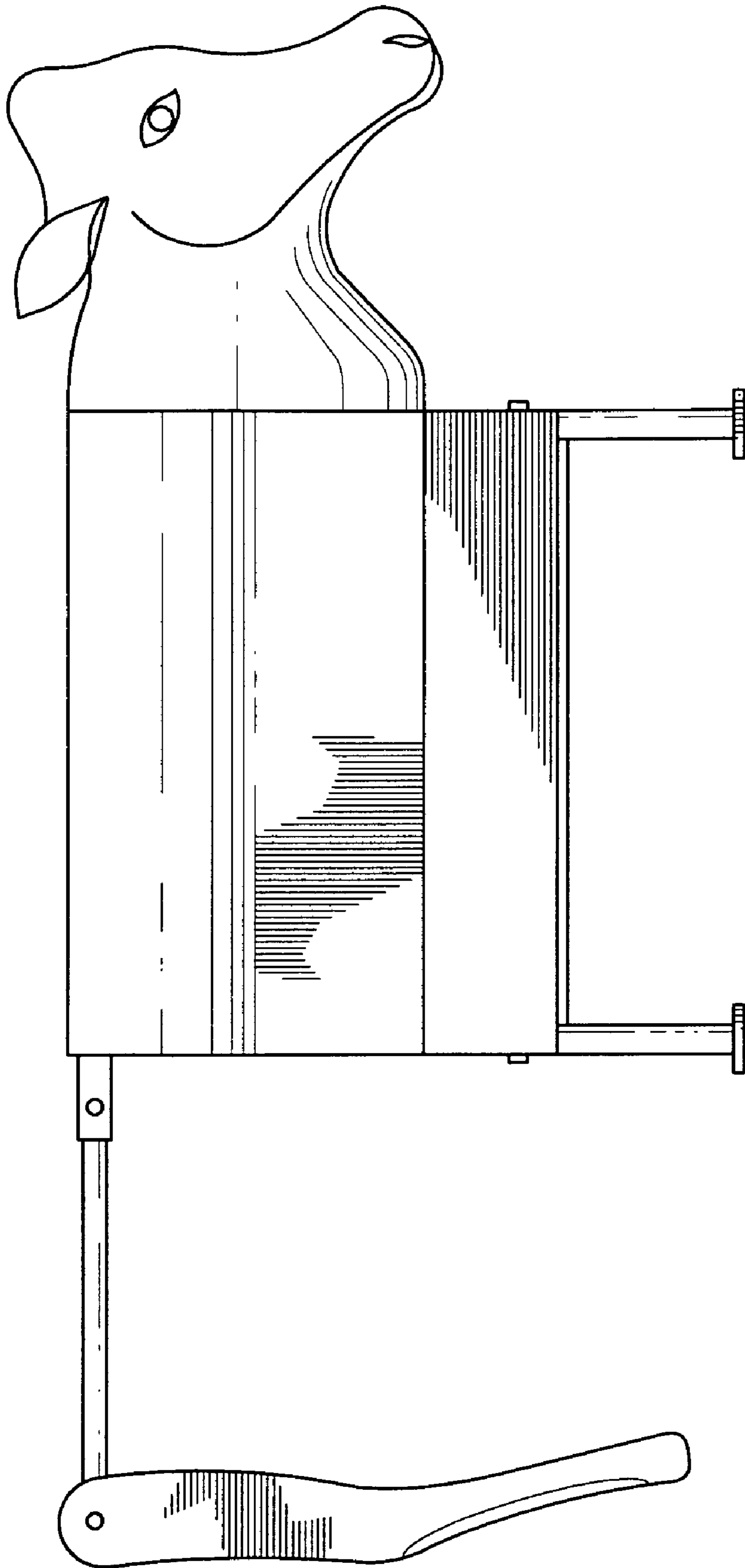


FIG. 1

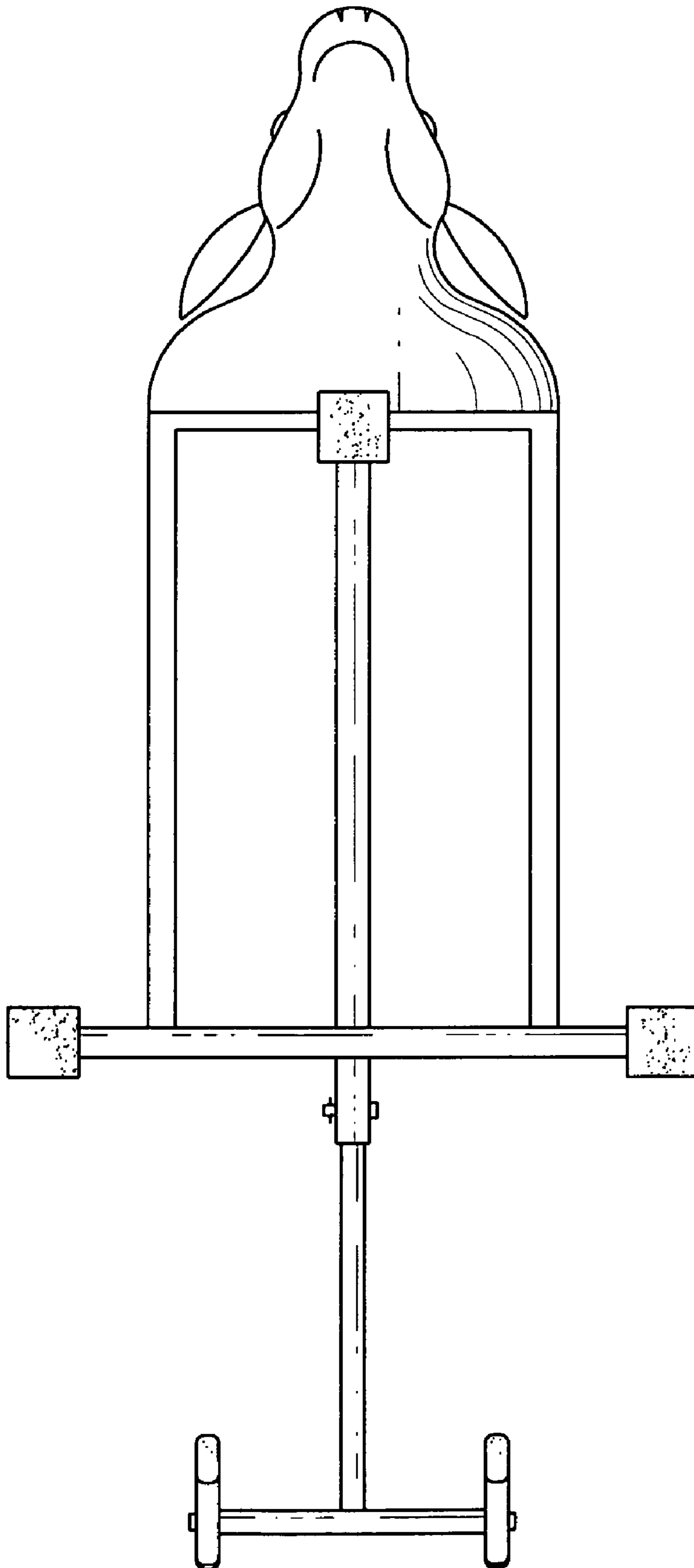


FIG. 2

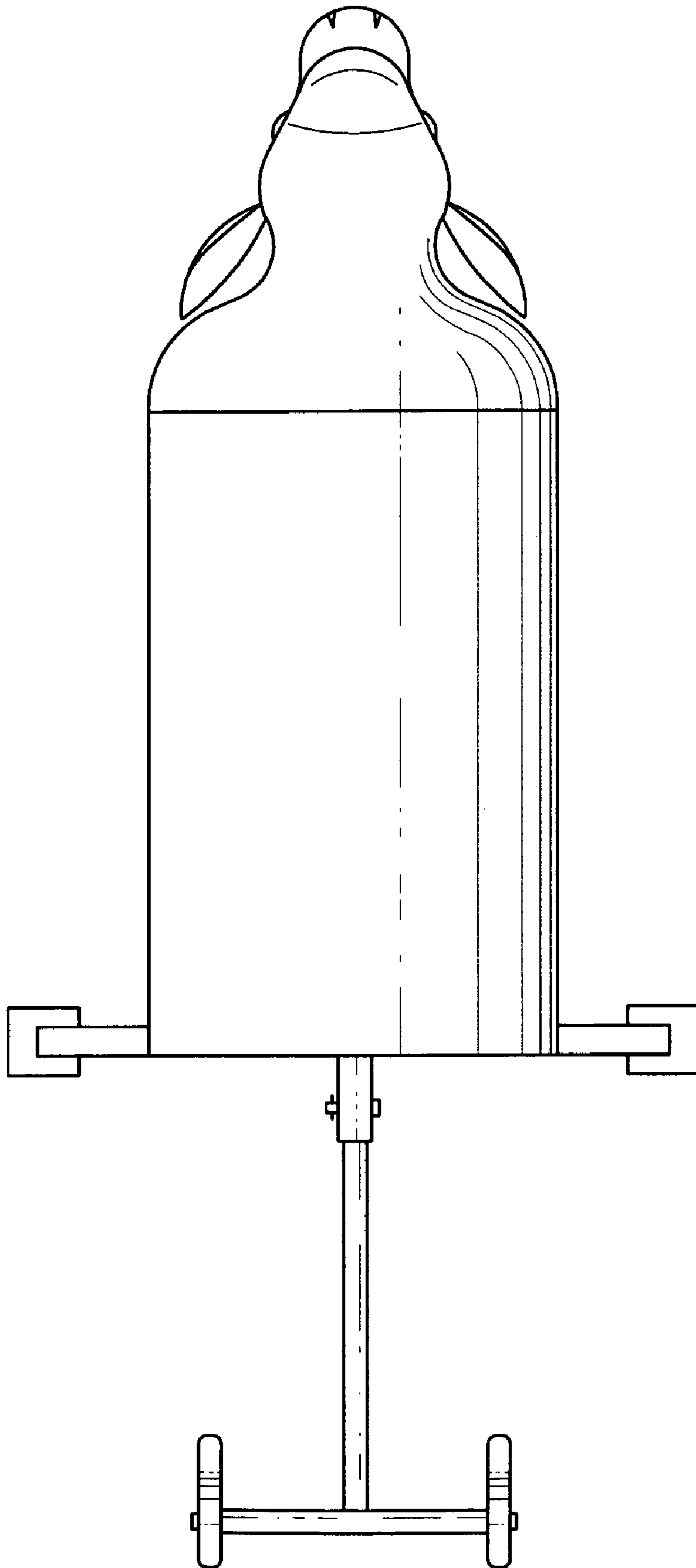


FIG. 3

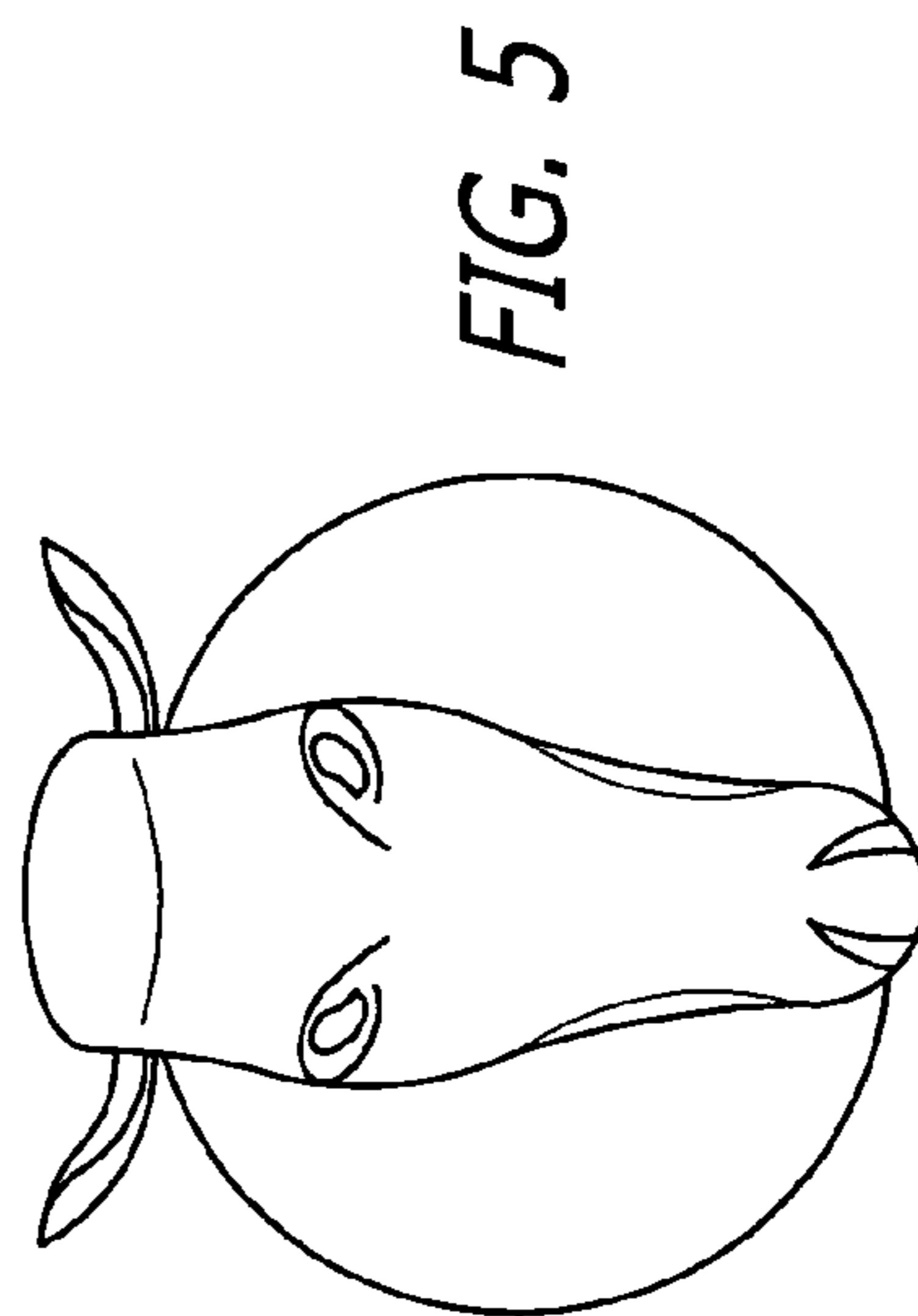
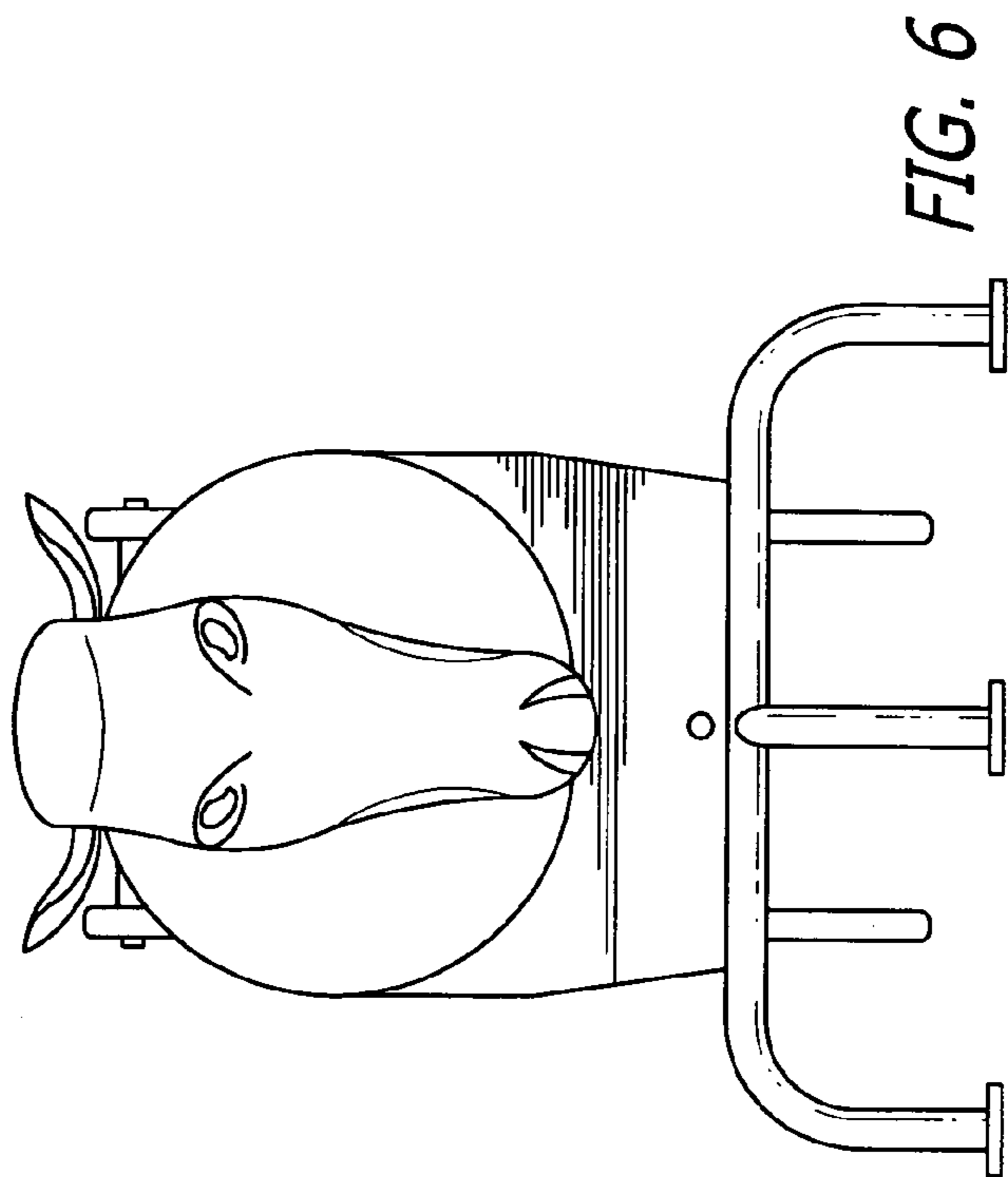
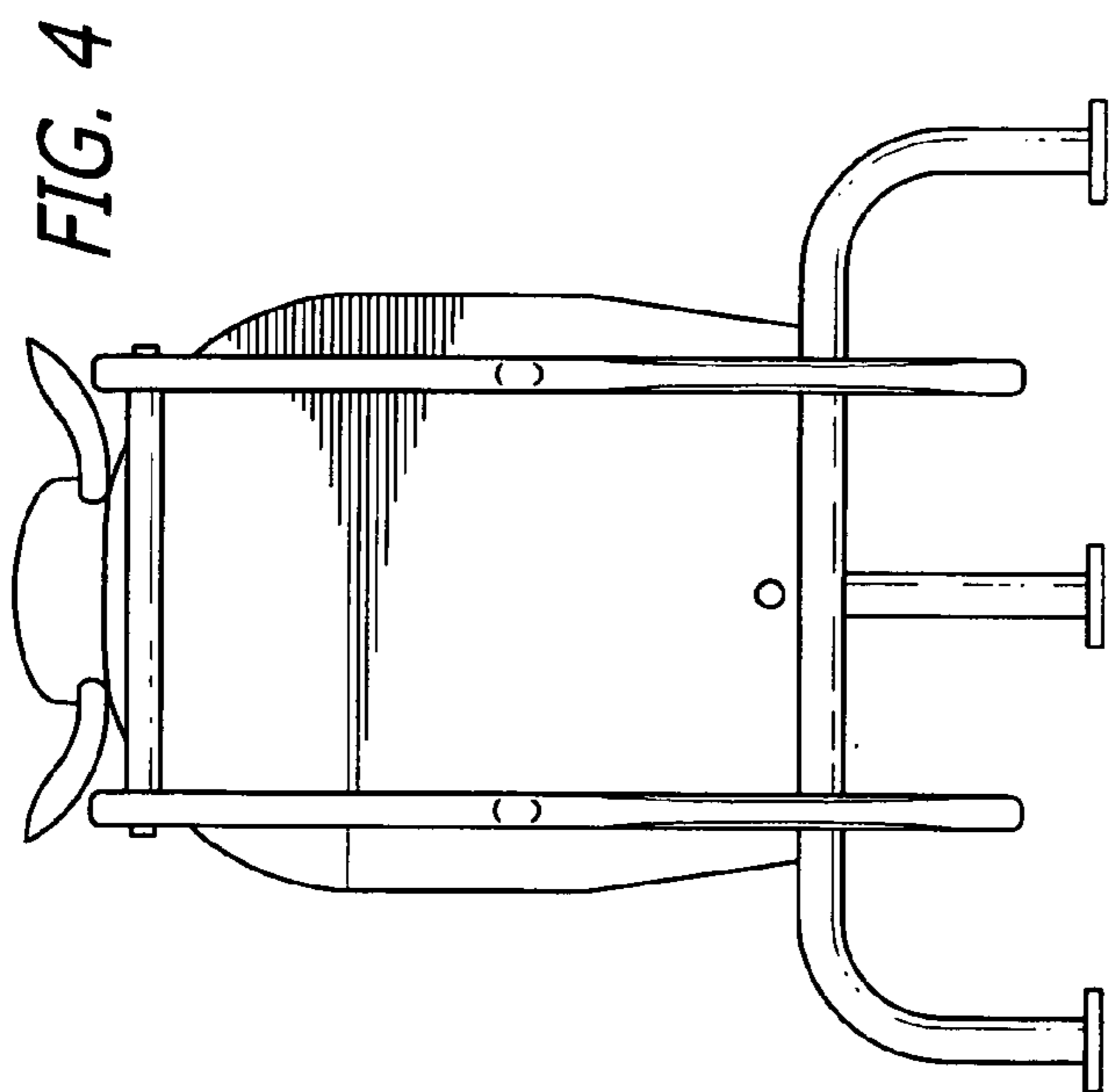


FIG. 5

FIG. 6