



US00D574895S

(12) **United States Design Patent**  
**Dieden et al.**

(10) **Patent No.:** **US D574,895 S**

(45) **Date of Patent:** **\*\* \*Aug. 12, 2008**

(54) **REAL ESTATE BROCHURE BOX INSERT**

(76) Inventors: **Andrew L. Dieden**, 840 Spring Dr., Mill Valley, CA (US) 94941; **Z. Jamal Noorzoy**, 1081 San Carlos Rd., Pebble Beach, CA (US) 93953

(\*) Notice: This patent is subject to a terminal disclaimer.

(\*\*) Term: **14 Years**

(21) Appl. No.: **29/285,307**

(22) Filed: **Mar. 26, 2007**

(51) **LOC (8) Cl.** ..... **20-03**

(52) **U.S. Cl.** ..... **D20/43**; D20/99; D19/90

(58) **Field of Classification Search** ..... D20/10, D20/19, 42, 43, 99; 40/312, 584; D19/88, D19/90, 99; D9/434, 456; 211/11, 42; 206/454, 206/455, 782

See application file for complete search history.

(56) **References Cited**

**U.S. PATENT DOCUMENTS**

348,611 A *	9/1886	Beatty	40/312
403,535 A	5/1889	Johnson	
1,556,514 A	10/1925	Feldman	
1,713,601 A	5/1929	Harris	
1,739,801 A	10/1929	Pitts	
1,925,844 A	9/1933	Moll	
2,109,713 A *	3/1938	Schroeder	211/11
D146,978 S	6/1947	Mack	
2,701,089 A	2/1955	Fischer	
3,023,519 A	3/1962	Levin	
3,131,495 A	5/1964	Stodola	
3,844,041 A	10/1974	Wilson	
D251,466 S	4/1979	Ciminelli	
D258,511 S *	3/1981	Ashton	D19/90
D261,902 S	11/1981	Oakley	
4,372,052 A	2/1983	Wakim	
4,460,095 A	7/1984	Kessler et al.	
D282,757 S	2/1986	Cohen	
D286,113 S	10/1986	Albery	

4,696,109 A	9/1987	Whaley	
D296,162 S *	6/1988	Allen et al.	D6/407
4,844,264 A	7/1989	Deskiewicz	
4,905,377 A	3/1990	Martinez et al.	
4,944,413 A *	7/1990	Connell	211/42
D318,436 S	7/1991	Cross	
D321,614 S	11/1991	Liptak	
5,080,315 A	1/1992	Tucker-Schafer	
5,085,328 A	2/1992	Evenson	
5,150,813 A	9/1992	Harris et al.	
D330,474 S	10/1992	Liptak	
5,165,554 A	11/1992	Schlesinger	
D334,676 S	4/1993	Liptak	

(Continued)

**FOREIGN PATENT DOCUMENTS**

CH 678261 8/1991

*Primary Examiner*—Robert M. Spear  
*Assistant Examiner*—Mary Ann Calabrese  
(74) *Attorney, Agent, or Firm*—Rimas Lukas; Lukas IP Group

(57) **CLAIM**

The ornamental design for a real estate brochure box insert, as shown and described.

**DESCRIPTION**

FIG. 1 is a perspective view of a real estate brochure box insert shown in use, with the broken lines representing environmental structure forming no part of the claimed design.

FIG. 2 is a perspective view of the real estate brochure box insert.

FIG. 3 is a front view of the insert.

FIG. 4 is a rear view of the insert.

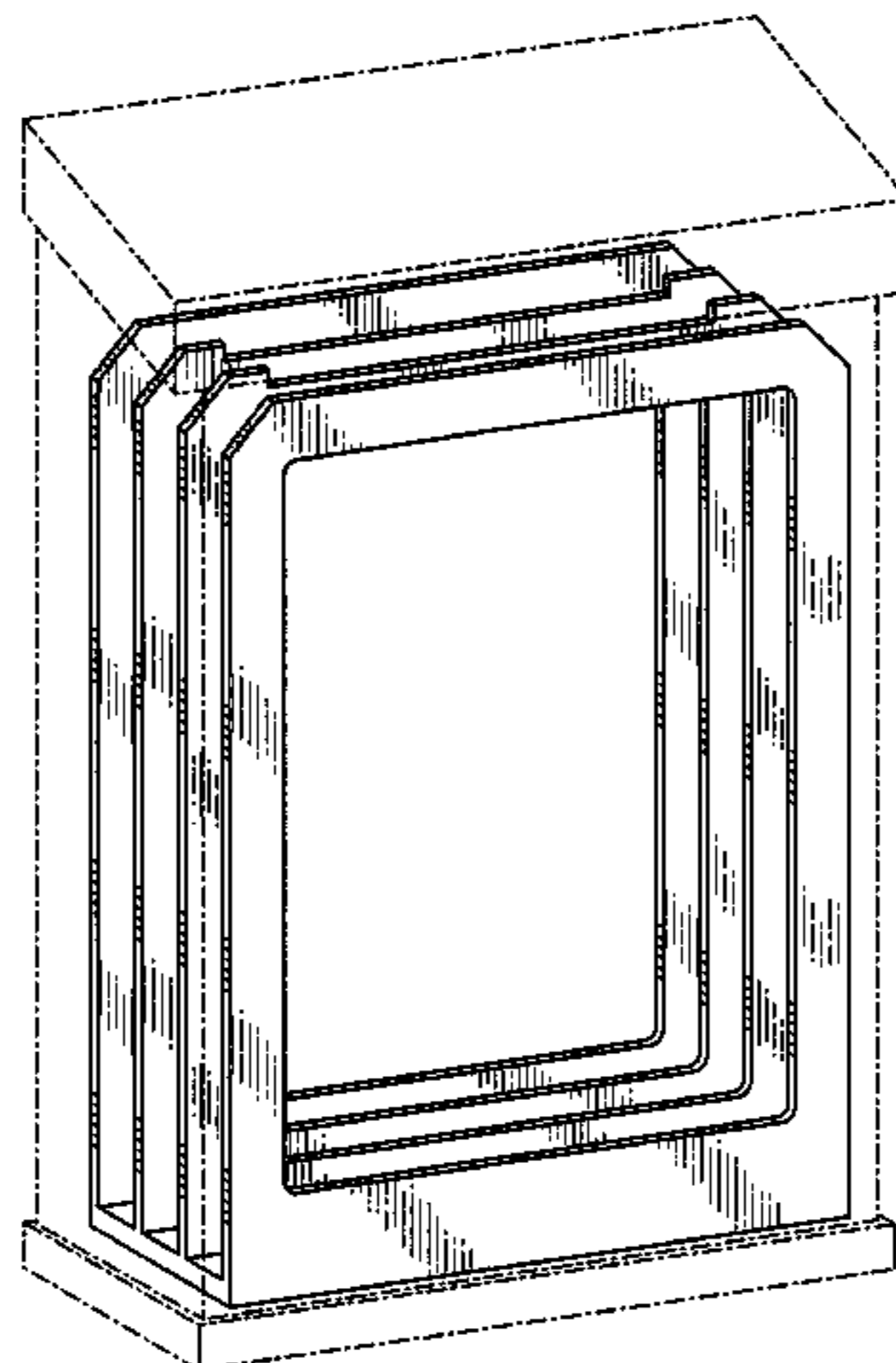
FIG. 5 is a left side view of the insert.

FIG. 6 is a right side view of the insert.

FIG. 7 is a top view of the insert; and,

FIG. 8 is a bottom view of the insert.

**1 Claim, 5 Drawing Sheets**





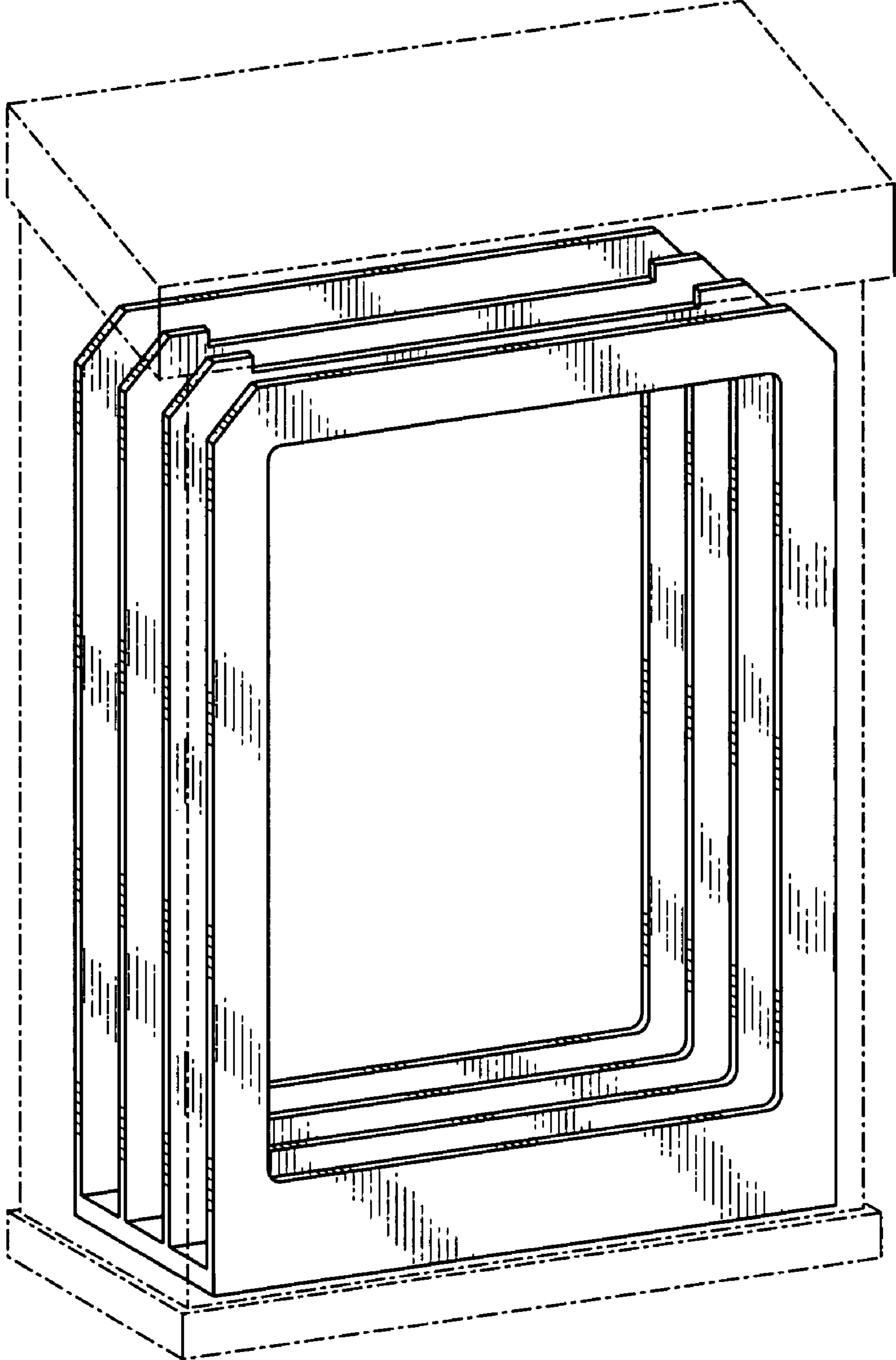


FIG. 1

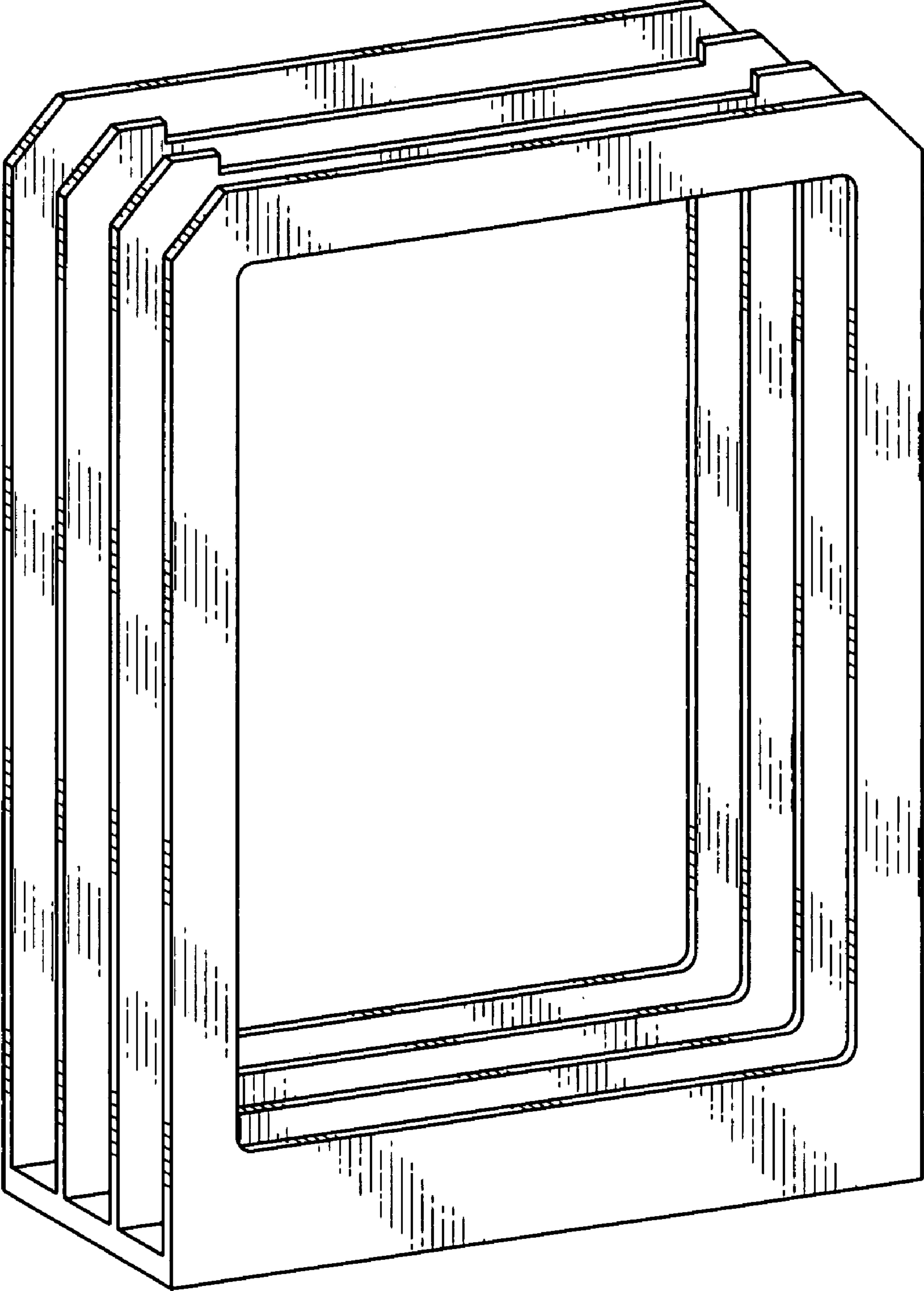


FIG. 2

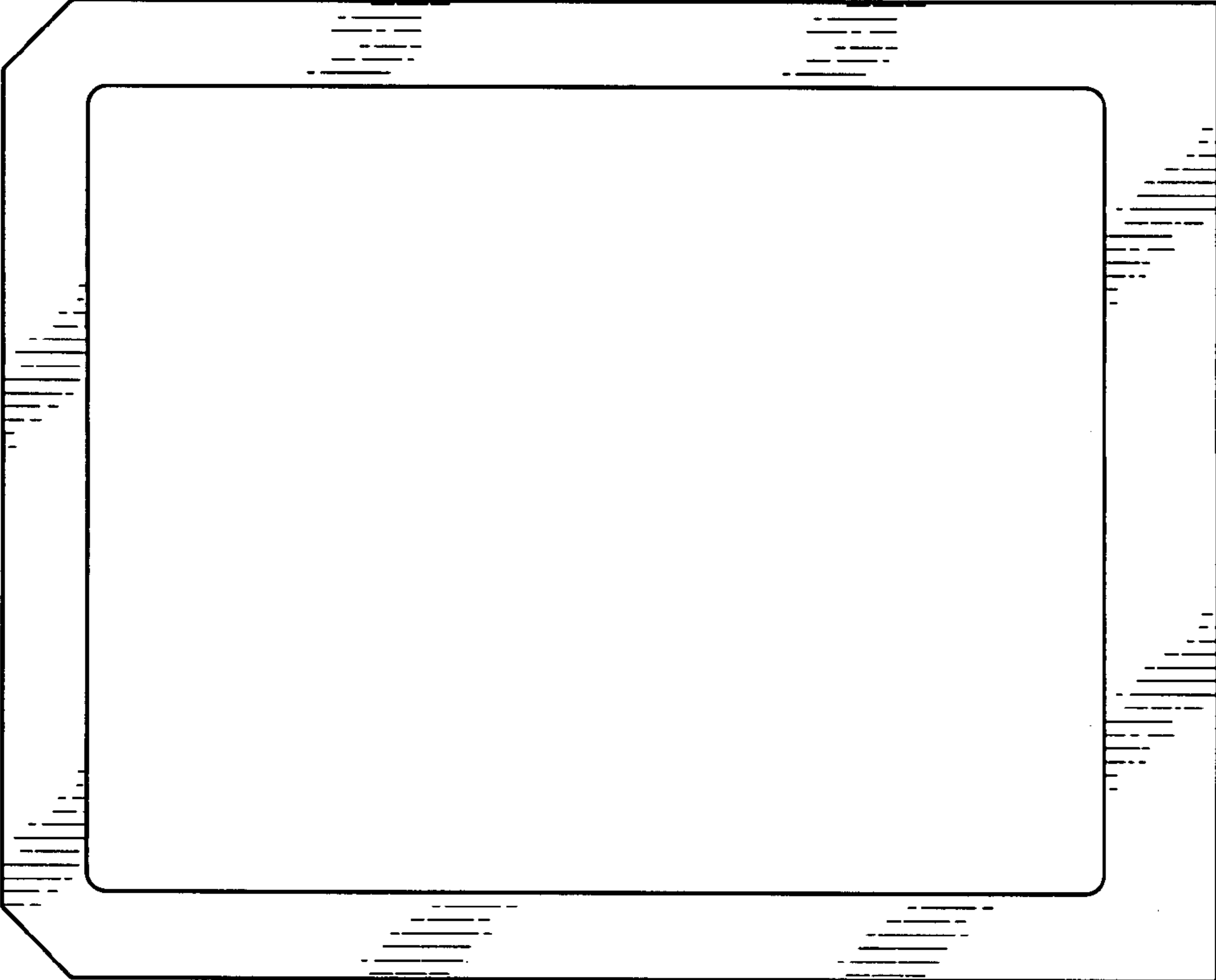


FIG. 4

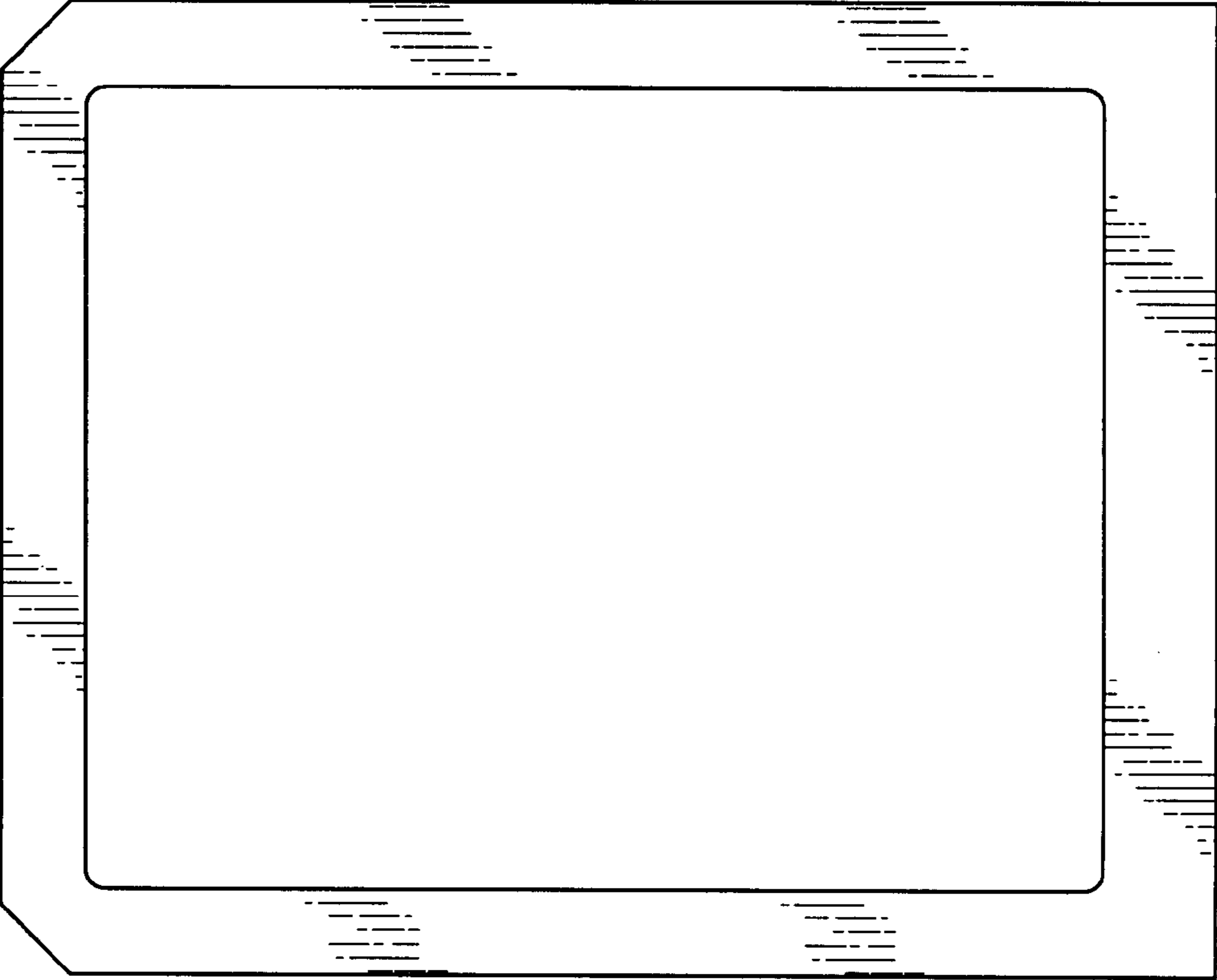


FIG. 3

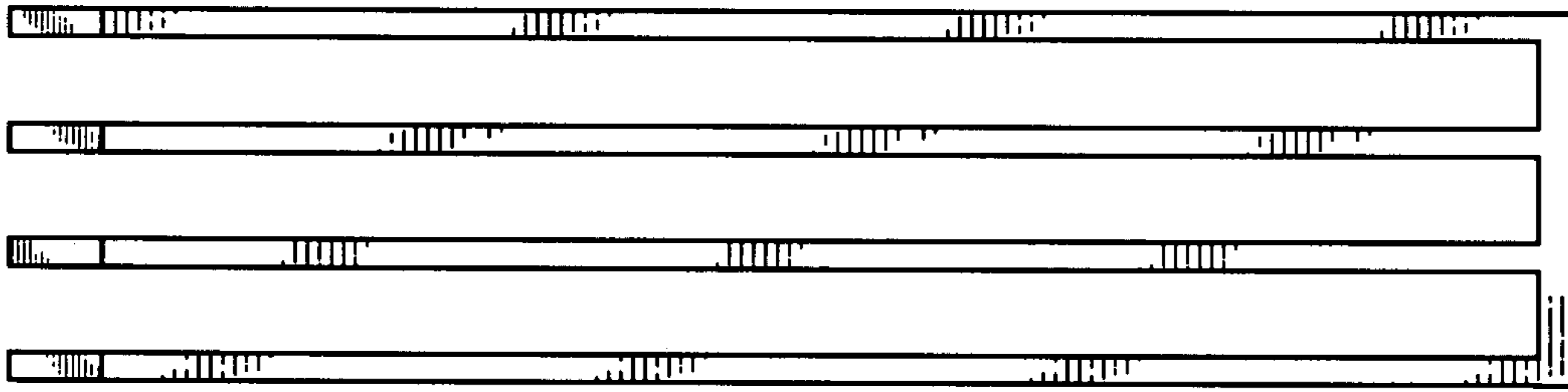


FIG. 6

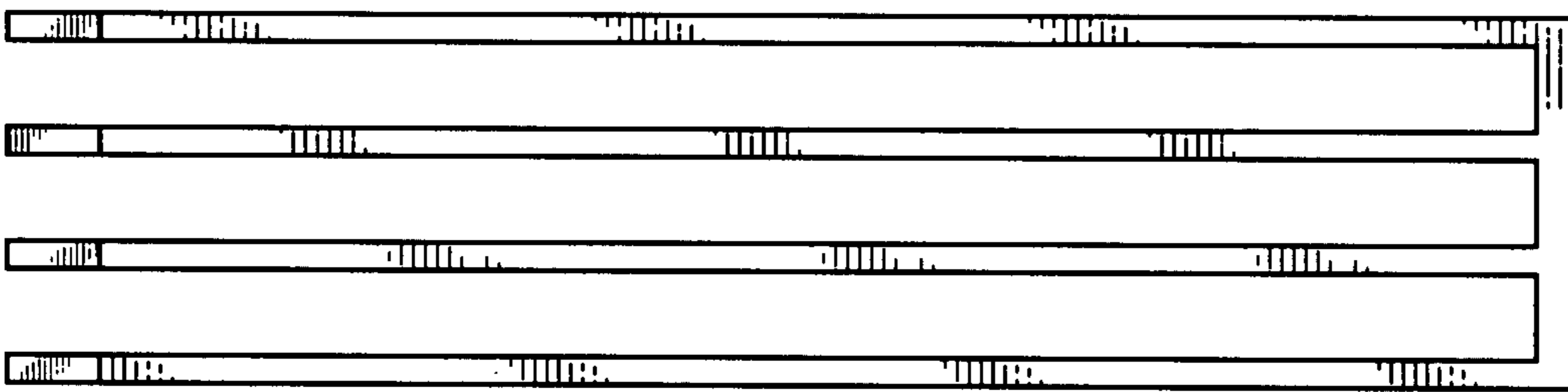


FIG. 5

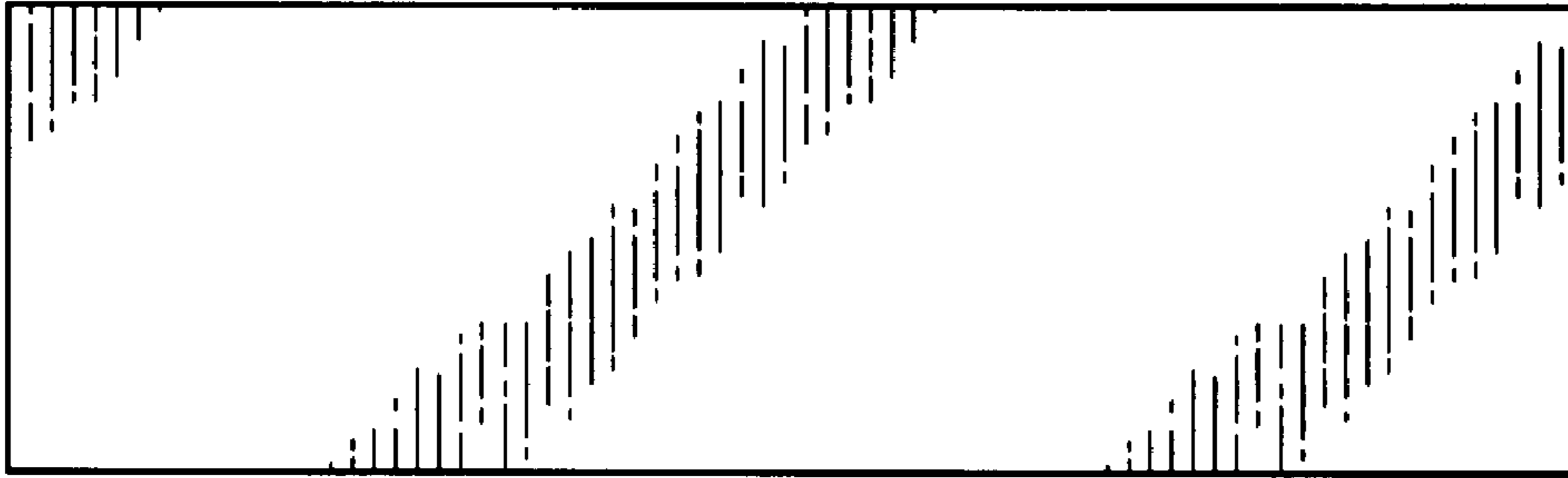


FIG. 8

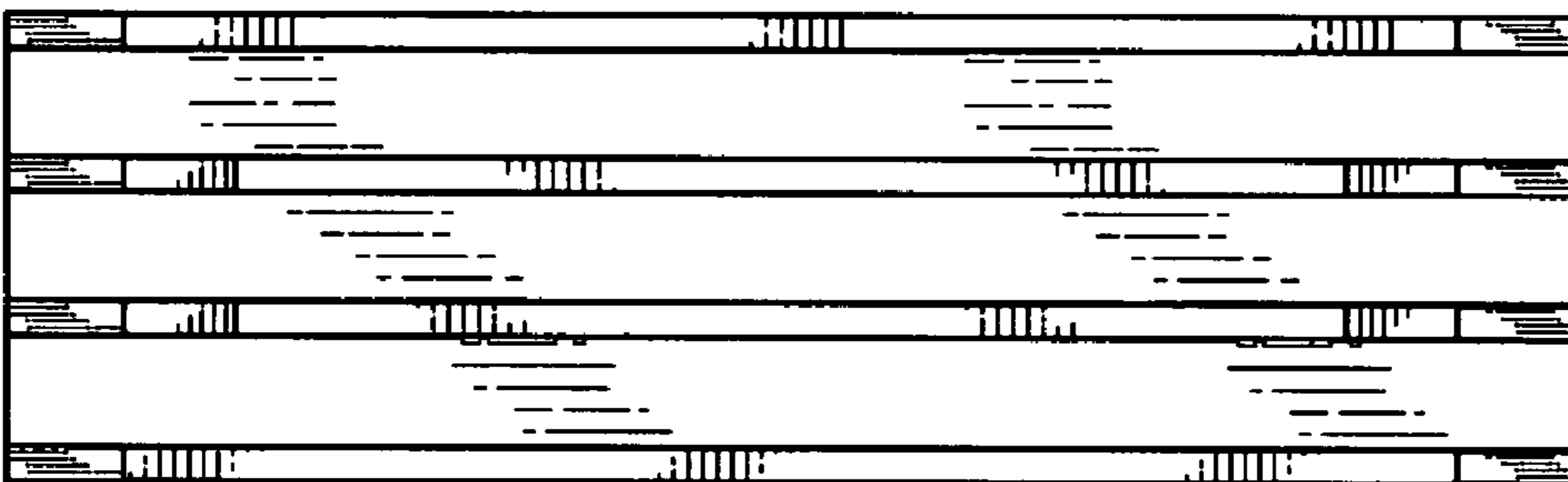


FIG. 7

UNITED STATES PATENT AND TRADEMARK OFFICE  
**CERTIFICATE OF CORRECTION**

PATENT NO. : Des. 574,895 S  
APPLICATION NO. : 29/285307  
DATED : August 12, 2008  
INVENTOR(S) : Andrew L. Dieden and Z. Jamal Noorzoy

Page 1 of 1

It is certified that error appears in the above-identified patent and that said Letters Patent is hereby corrected as shown below:

On the Title Pg. Item (\*) Notice, should read,  
This patent is not subject to a terminal disclaimer.

Signed and Sealed this

Fifth Day of January, 2010

A handwritten signature in black ink that reads "David J. Kappos". The signature is written in a cursive, flowing style.

David J. Kappos  
*Director of the United States Patent and Trademark Office*