



US00D574893S

(12) **United States Design Patent**
Bucolo et al.

(10) **Patent No.:** **US D574,893 S**

(45) **Date of Patent:** **** Aug. 12, 2008**

(54) **DISPLAY DEVICE**

(75) Inventors: **Sam Bucolo**, Grange (AU); **Glenn Smith**, Zillmere (AU)

(73) Assignee: **Diversionary Therapy Technologies Pty Ltd**, Toowong (AU)

(**) Term: **14 Years**

(21) Appl. No.: **29/285,936**

(22) Filed: **Apr. 17, 2007**

(30) **Foreign Application Priority Data**

Oct. 17, 2006 (AU) 14692/2006

(51) **LOC (8) Cl.** **20-02**

(52) **U.S. Cl.** **D20/10**

(58) **Field of Classification Search** D20/10,
D20/19, 21, 22, 28, 43, 99; 40/406, 431,
40/541, 584, 607.11, 625, 626, 642.04, 653,
40/661, 661.05, 662, 663; D8/382; D14/126,
D14/341, 371; D16/135; 283/52; 362/459,
362/812

See application file for complete search history.

(56) **References Cited**

U.S. PATENT DOCUMENTS

D94,218 S * 1/1935 Henkel D20/99
D362,176 S * 9/1995 Solbeck D8/382
D433,456 S * 11/2000 Hooglander D20/22
D482,031 S * 11/2003 Lin D14/371

D501,493 S * 2/2005 Singer et al. D16/135
D519,161 S * 4/2006 Miller D20/43
D526,978 S * 8/2006 Hoehn et al. D14/126

* cited by examiner

Primary Examiner—Caron D. Veynar

Assistant Examiner—Mary Ann Calabrese

(74) *Attorney, Agent, or Firm*—Michael Best & Friedrich LLP

(57) **CLAIM**

We claim the ornamental design for a display device, as shown and described.

DESCRIPTION

FIG. 1 is an isometric view from above of a display device showing our new design;

FIG. 2 is an isometric view from below thereof;

FIG. 3 is a right side view thereof;

FIG. 4 is a rear view thereof;

FIG. 5 is a plan view thereof;

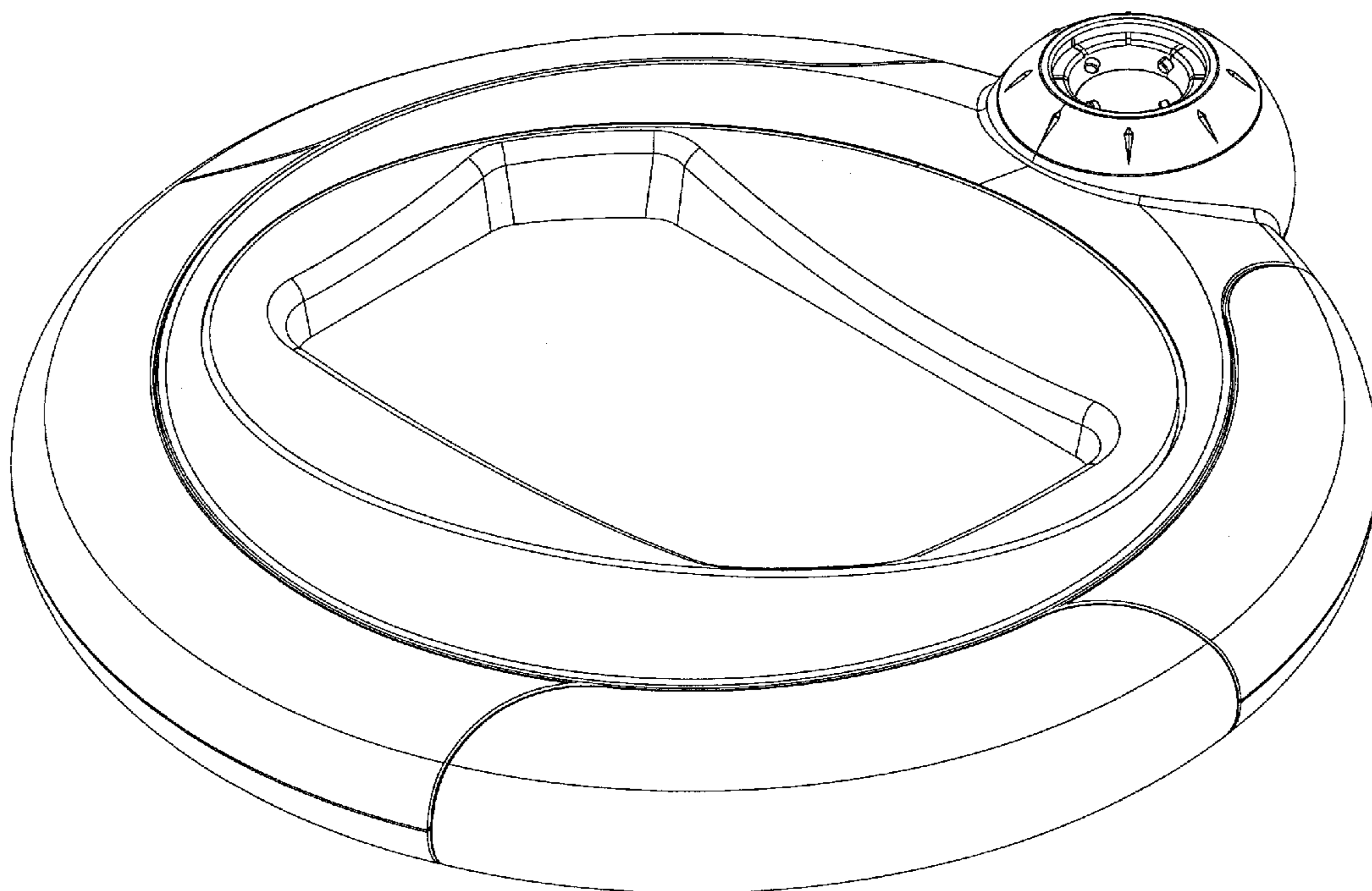
FIG. 6 is an inverted plan view thereof;

FIG. 7 is a left side view thereof; and,

FIG. 8 is a front view thereof.

The structural features depicted by means of broken lines in the drawing figures have been shown for the purpose of illustrating environmental structure only and form no part of the claimed design.

1 Claim, 5 Drawing Sheets



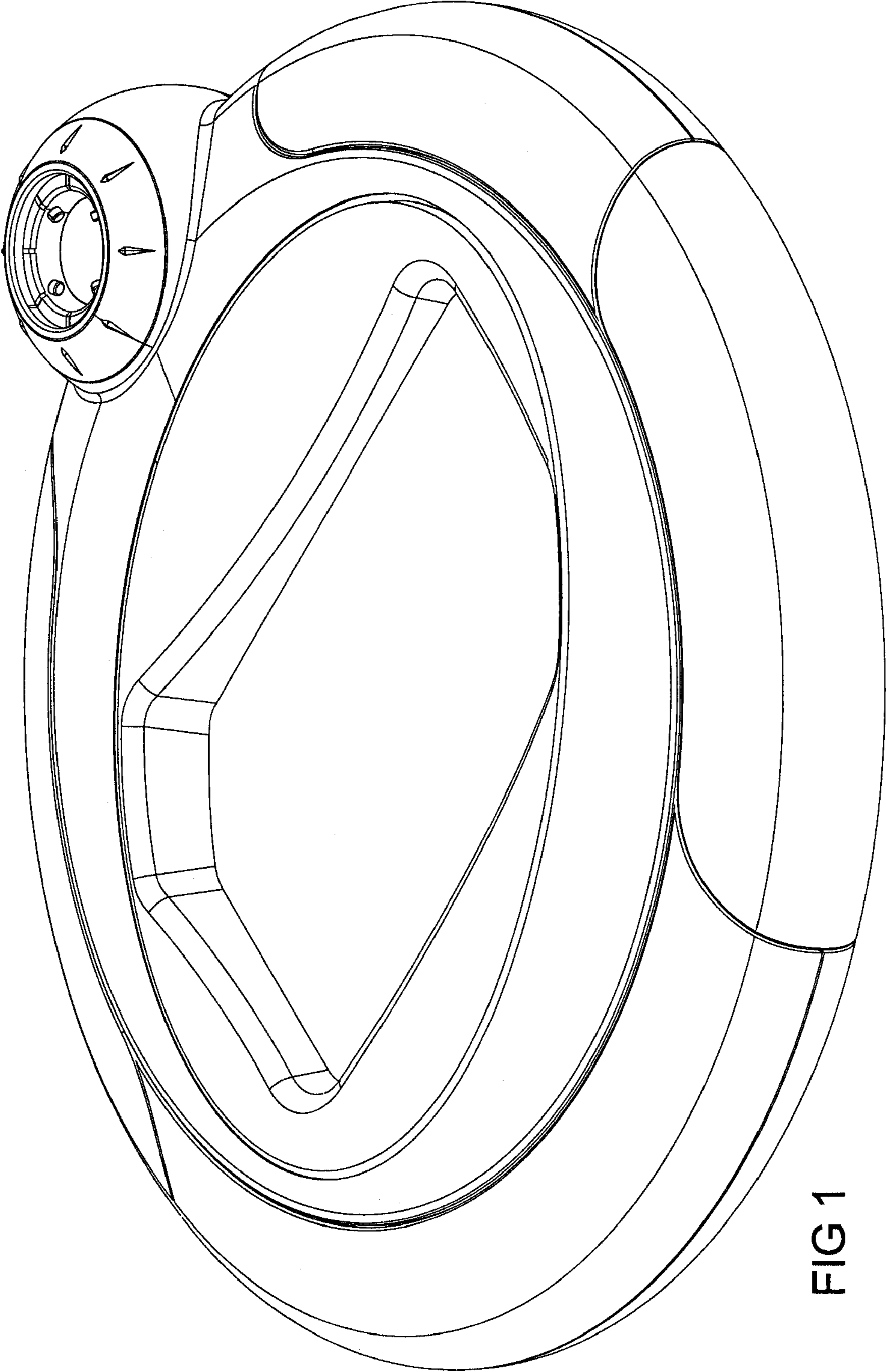


FIG 1

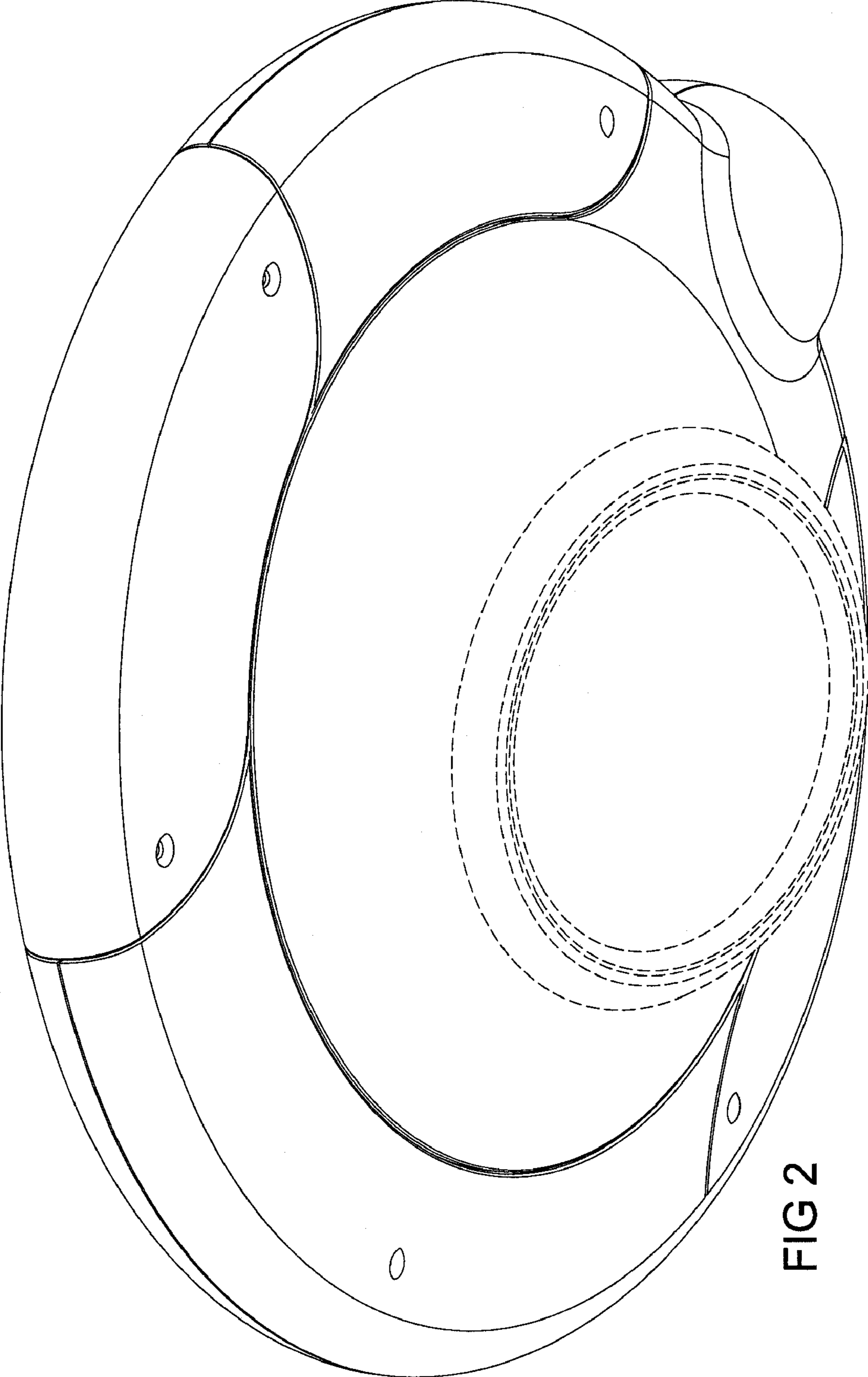
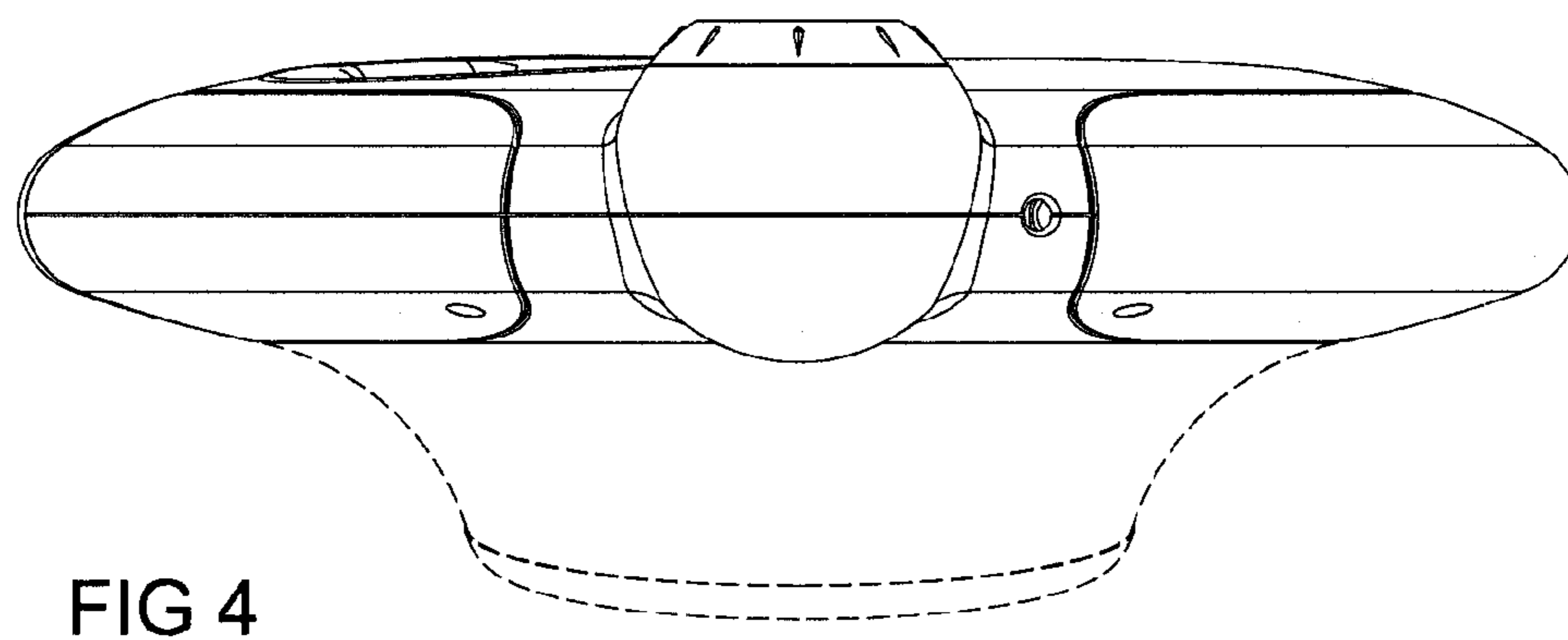
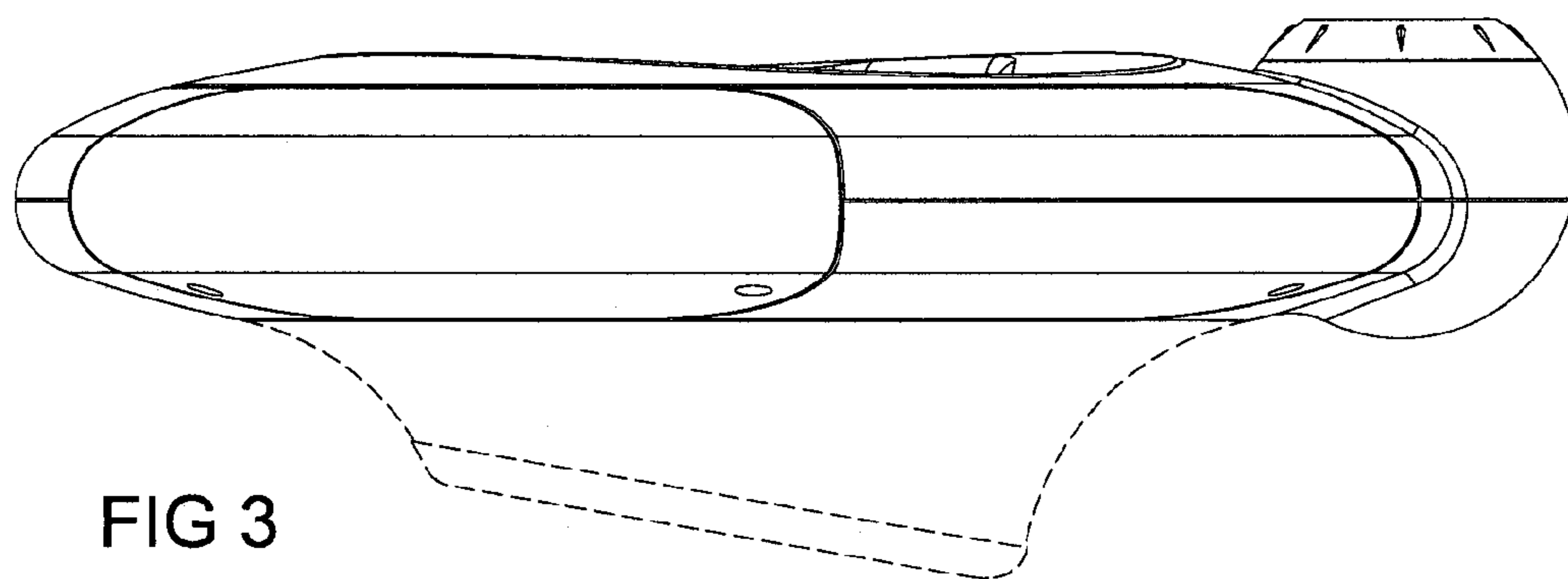


FIG 2



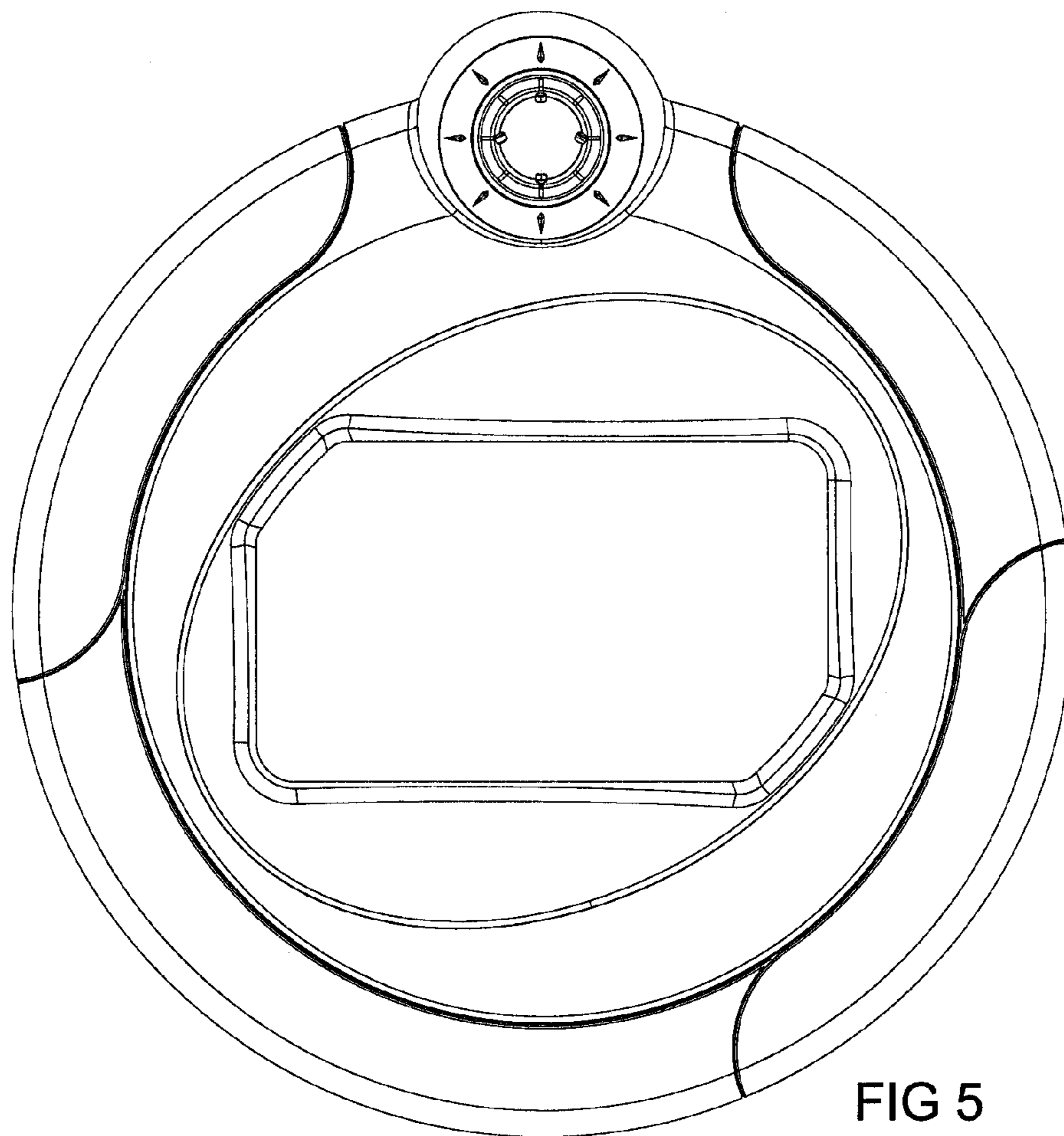


FIG 5

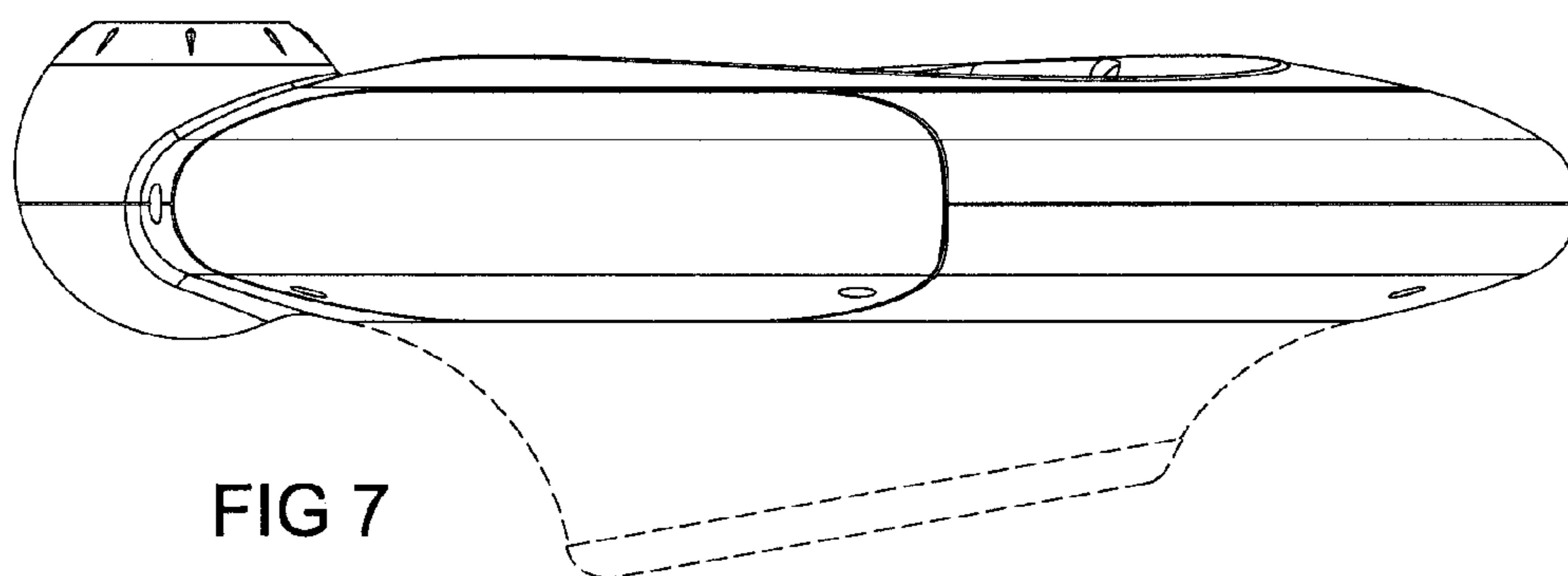


FIG 7

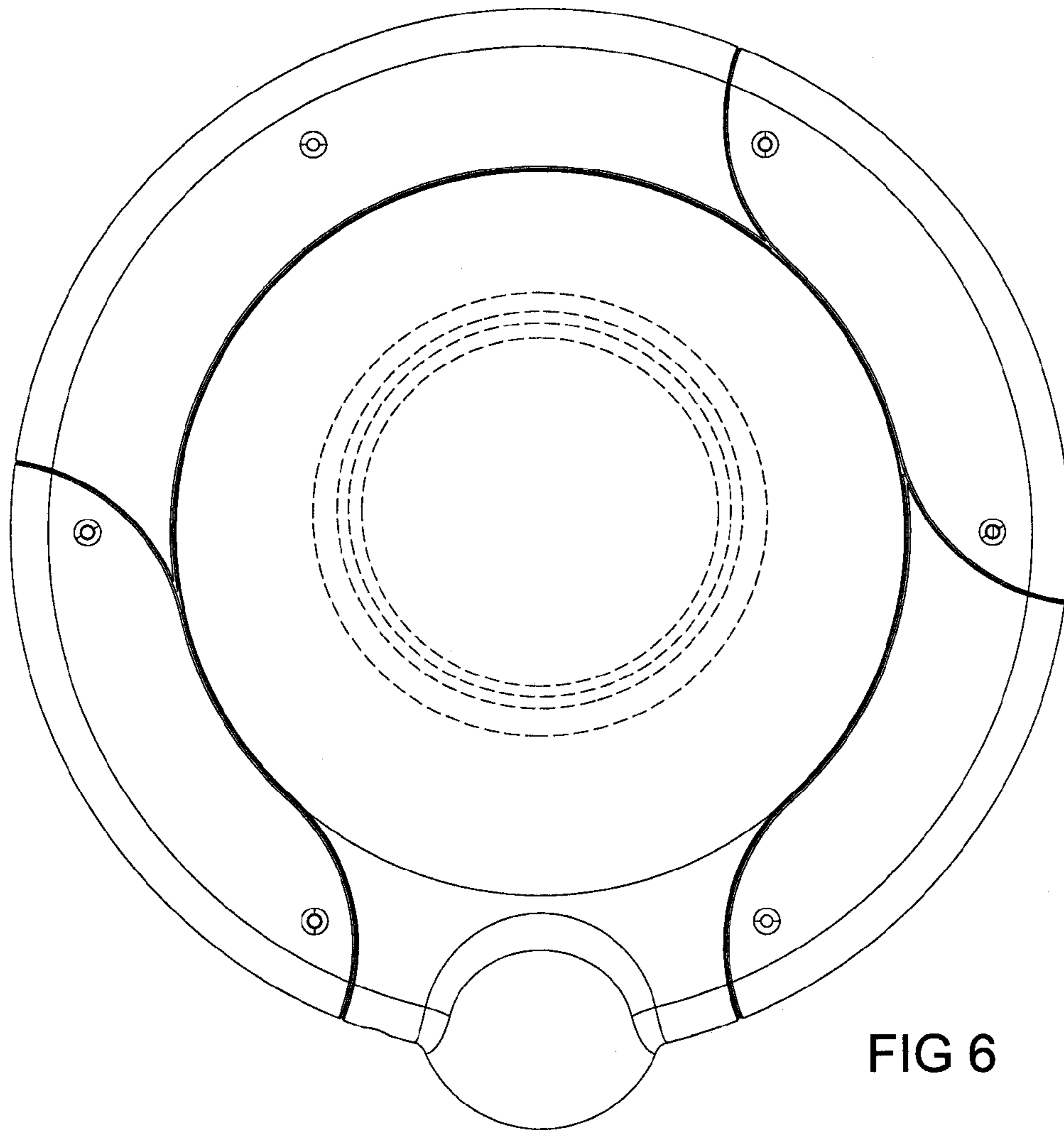


FIG 6

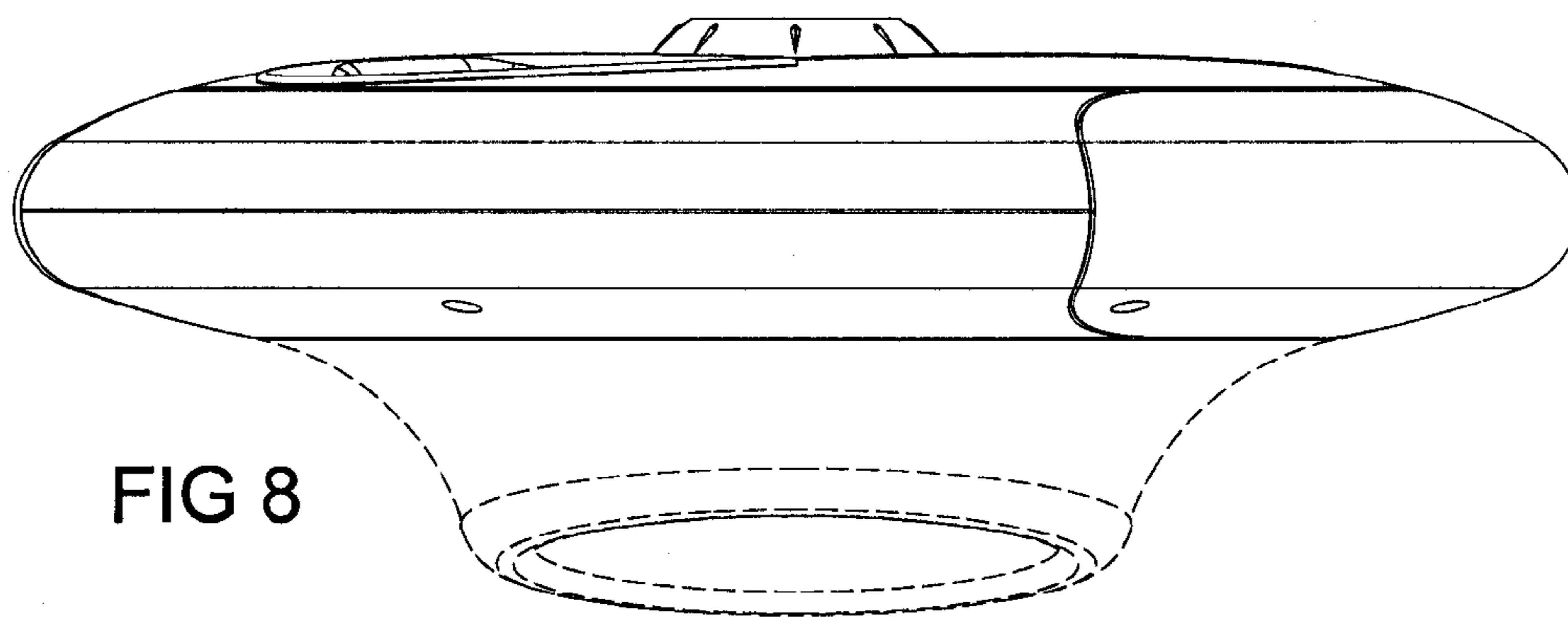


FIG 8