



US00D574889S

(12) **United States Design Patent**
Stockstill et al.

(10) **Patent No.:** **US D574,889 S**
(45) **Date of Patent:** **** Aug. 12, 2008**

(54) **DEVICE FOR STORING PAPERS OR THE LIKE**

(75) Inventors: **Mark Richards Stockstill**, Dayton, OH (US); **Dan Edward Mueller**, Kettering, OH (US); **Greg Wyatt Simmons**, Springboro, OH (US)

(73) Assignee: **MeadWestvaco Corporation**, Glen Allen, VA (US)

(**) Term: **14 Years**

(21) Appl. No.: **29/298,784**

(22) Filed: **Dec. 13, 2007**

Related U.S. Application Data

(62) Division of application No. 29/258,399, filed on Apr. 20, 2006.

(51) **LOC (8) Cl.** **19-04**

(52) **U.S. Cl.** **D19/32**

(58) **Field of Classification Search** D19/26-27, D19/33; D3/303; 281/15.1

See application file for complete search history.

(56) **References Cited**

U.S. PATENT DOCUMENTS

D311,549 S * 10/1990 Battisti D19/26

D319,659 S * 9/1991 Moor D19/27
D330,288 S * 10/1992 Rawson D6/309
D401,410 S * 11/1998 Wyant D3/303
D414,800 S * 10/1999 Wyant D19/26
D435,591 S * 12/2000 Wyant D19/27
D459,391 S * 6/2002 Huang D19/27
D504,463 S * 4/2005 Wehmeyer D19/26
6,899,541 B2 * 5/2005 Kassai et al. 434/236

* cited by examiner

Primary Examiner—Elizabeth A. Albert

Assistant Examiner—Kelley A Donnelly

(57) **CLAIM**

The ornamental design for a device for storing papers or the like, as shown and described.

DESCRIPTION

FIG. 1 is a perspective view of a device for storing papers or the like.

FIG. 2 is a front view of the device of FIG. 1.

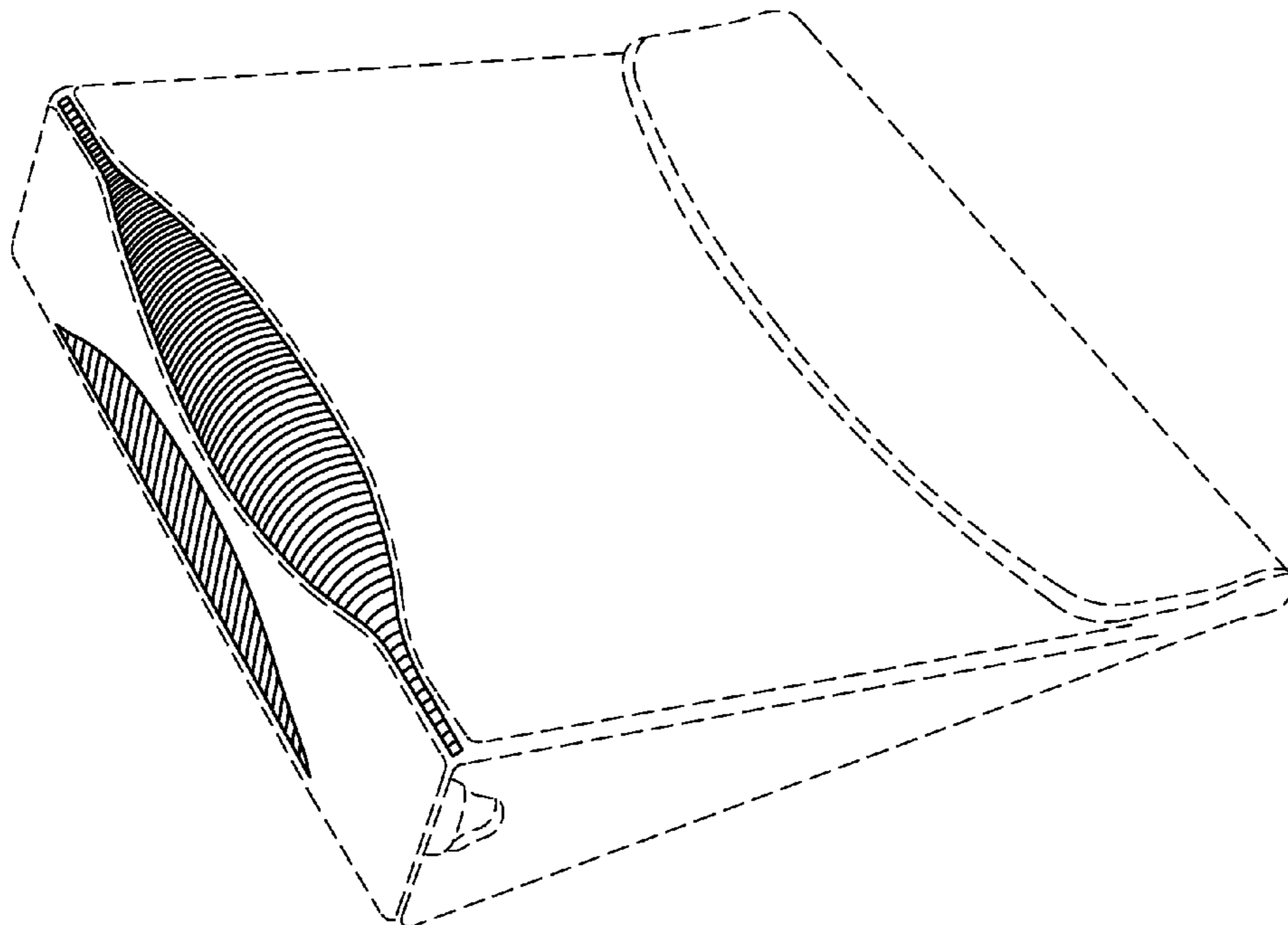
FIG. 3 is a left side view of the device of FIG. 1.

FIG. 4 is a right side view of the device of FIG. 1; and,

FIG. 5 is a top view of the device of FIG. 1.

The broken lines in FIGS. 1-5 are for environmental purposes only and form no part of the claimed design.

1 Claim, 3 Drawing Sheets



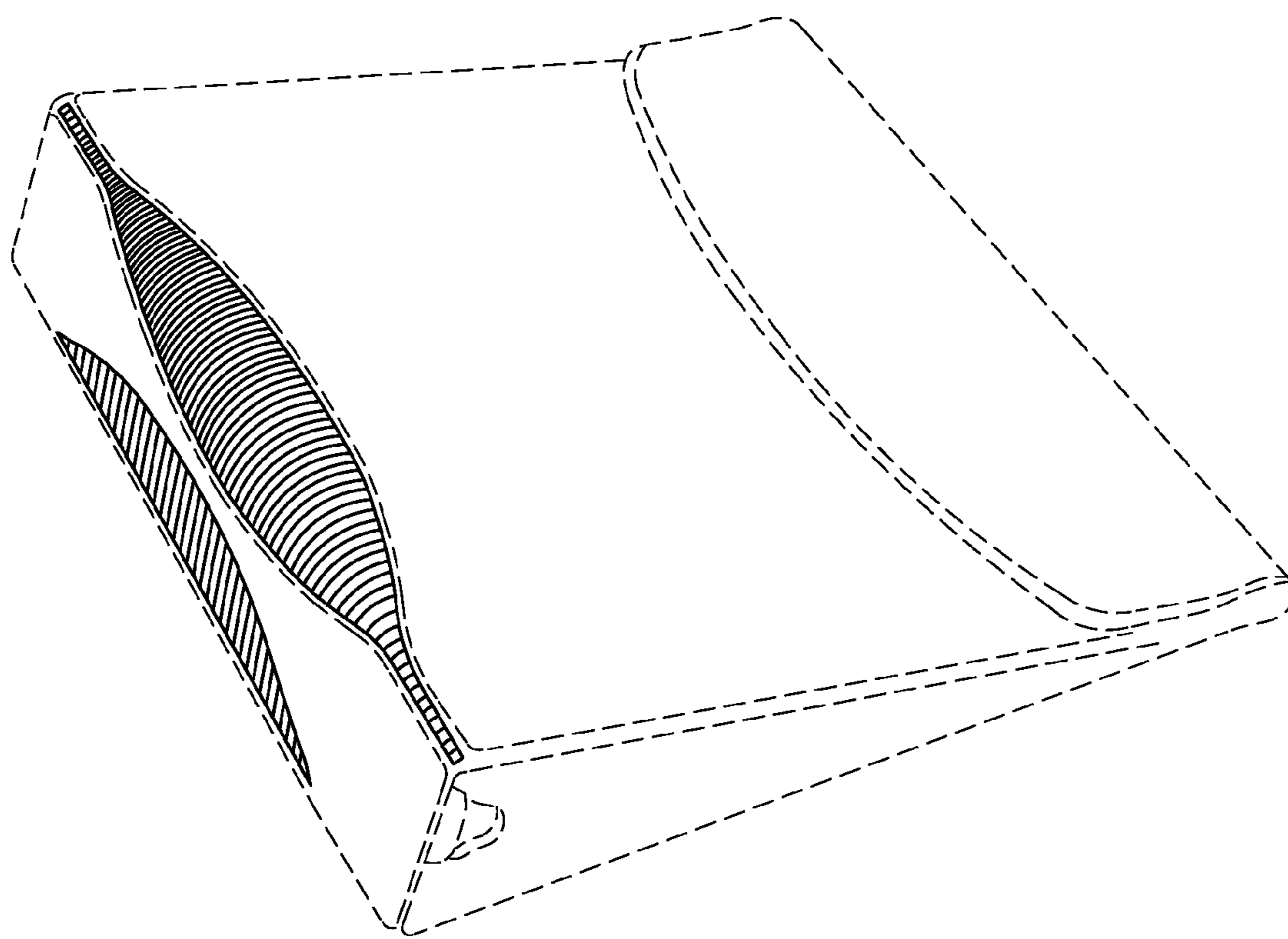


FIG. 1

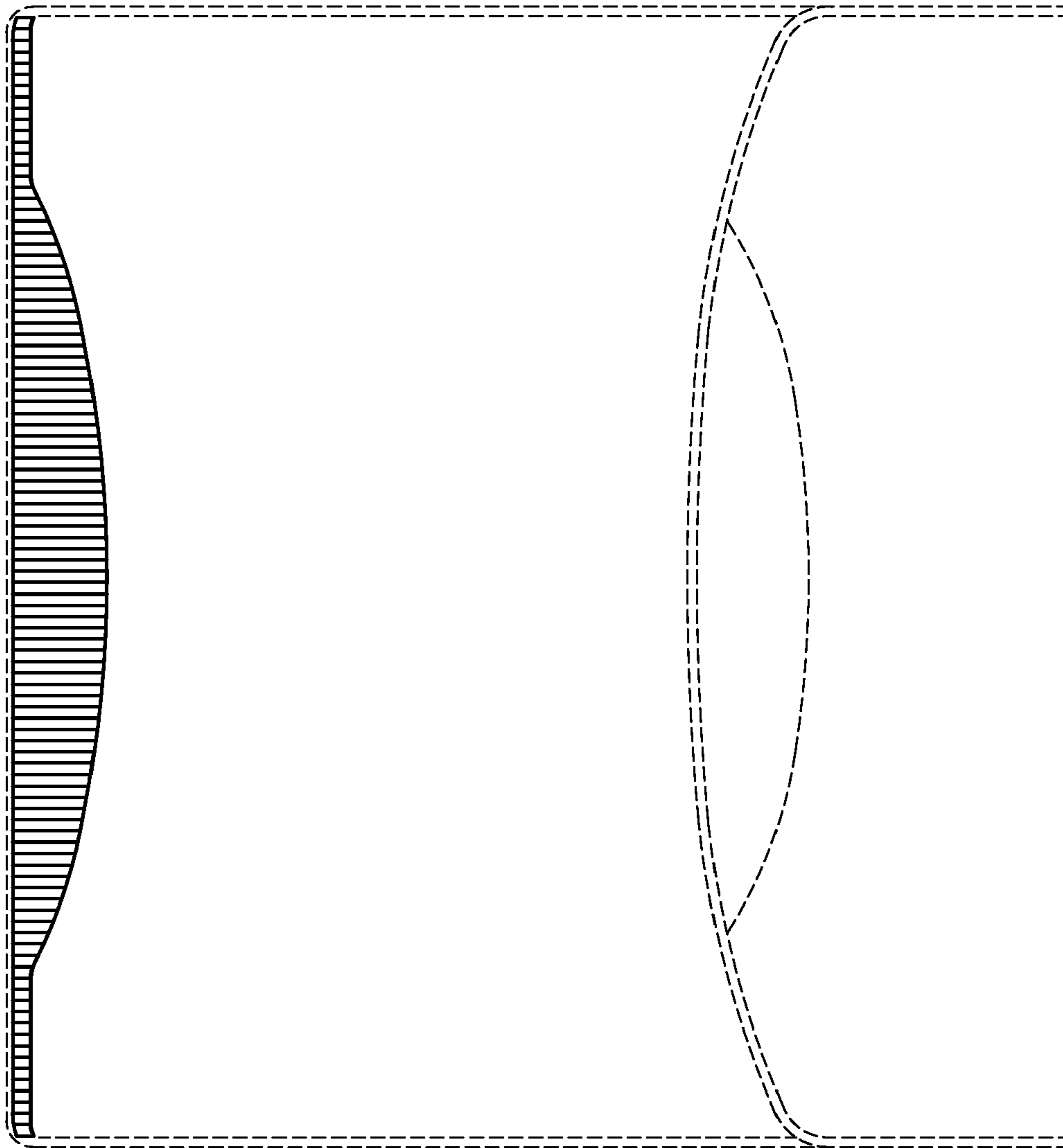


FIG. 2

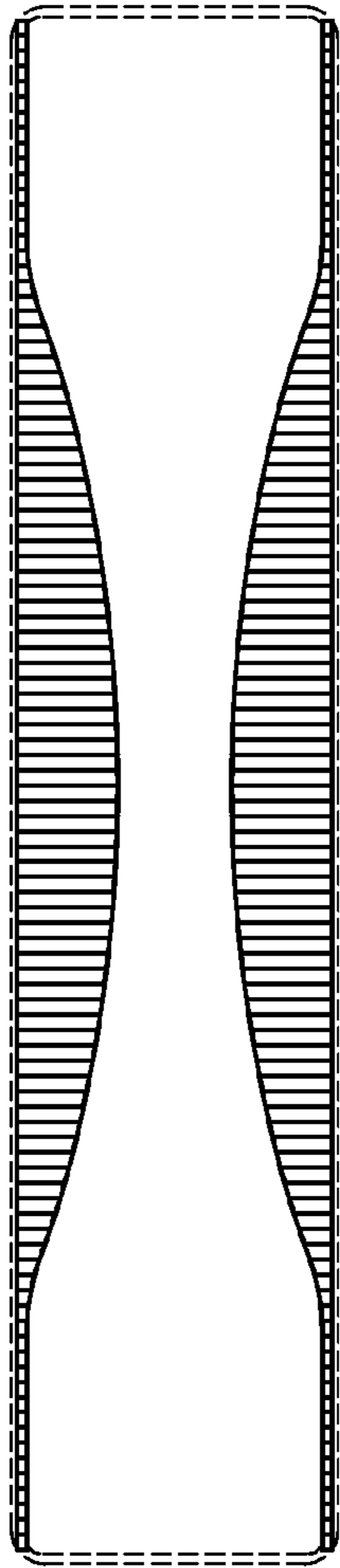


FIG. 3

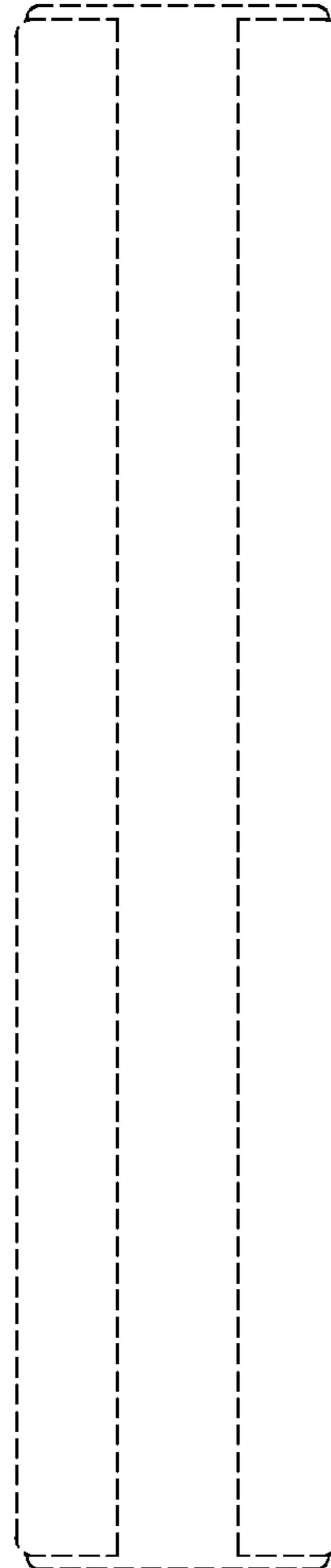


FIG. 4

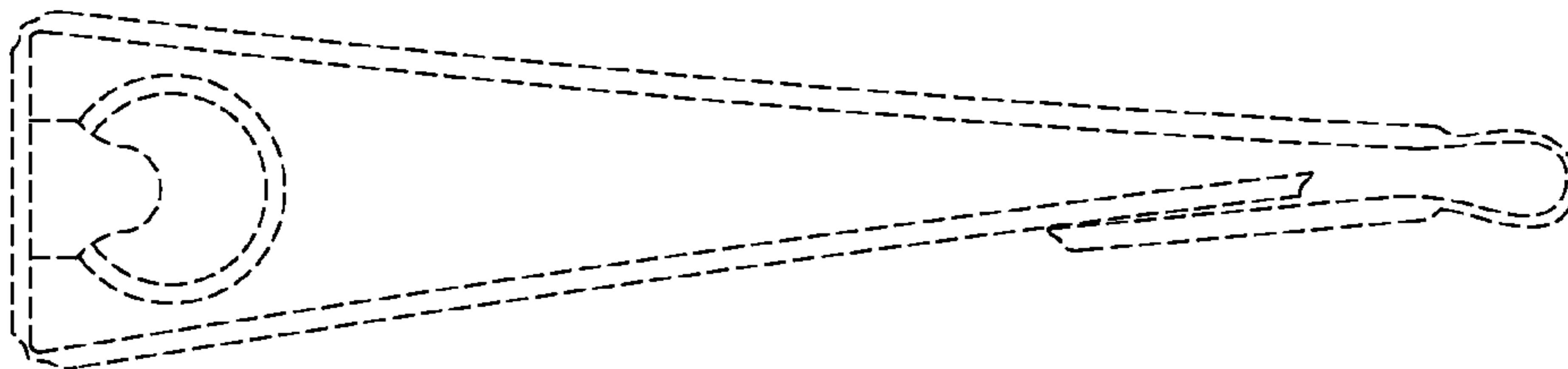


FIG. 5