



US00D574886S

(12) **United States Design Patent**
Mase et al.

(10) **Patent No.:** **US D574,886 S**

(45) **Date of Patent:** **** Aug. 12, 2008**

(54) **PRINTER**

(75) Inventors: **Yosuke Mase**, Aichi-ken (JP); **Keiichiro Egami**, Nagoya (JP)

(73) Assignee: **Brother Industries, Ltd.**, Nagoya (JP)

(**) Term: **14 Years**

(21) Appl. No.: **29/272,307**

(22) Filed: **Feb. 6, 2007**

(30) **Foreign Application Priority Data**

Sep. 20, 2006 (JP) 2006-025162

(51) **LOC (8) Cl.** **14-02**

(52) **U.S. Cl.** **D18/55**

(58) **Field of Classification Search** D18/4.4,
D18/36-39, 41, 50, 53, 54-55; D14/420,
D14/462-470; 400/613, 613.1-613.4, 690.1-690.4,
400/691-694

See application file for complete search history.

(56) **References Cited**

U.S. PATENT DOCUMENTS

D502,500 S * 3/2005 Hoshiya et al. D18/50
D534,175 S * 12/2006 Orihashi et al. D14/463
D534,578 S * 1/2007 Katayama et al. D18/55
D537,109 S * 2/2007 Mizusugi et al. D18/39

D537,866 S * 3/2007 Matsuda et al. D18/39
D549,769 S * 8/2007 Kawamura et al. D18/39
D550,279 S * 9/2007 Tani D18/50
D551,700 S * 9/2007 Park et al. D18/55
D555,195 S * 11/2007 Park et al. D18/55
D557,737 S * 12/2007 Falk et al. D18/53
D561,824 S * 2/2008 Park et al. D18/55
D565,650 S * 4/2008 Tani D18/50

* cited by examiner

Primary Examiner—Cathy Anne MacCormac

(74) *Attorney, Agent, or Firm*—Oliff & Berridge, PLC

(57) **CLAIM**

The ornamental design for a printer, as shown and described.

DESCRIPTION

FIG. 1 is a perspective view of a printer;

FIG. 2 is a front view thereof;

FIG. 3 is a top view thereof;

FIG. 4 is a right side view thereof;

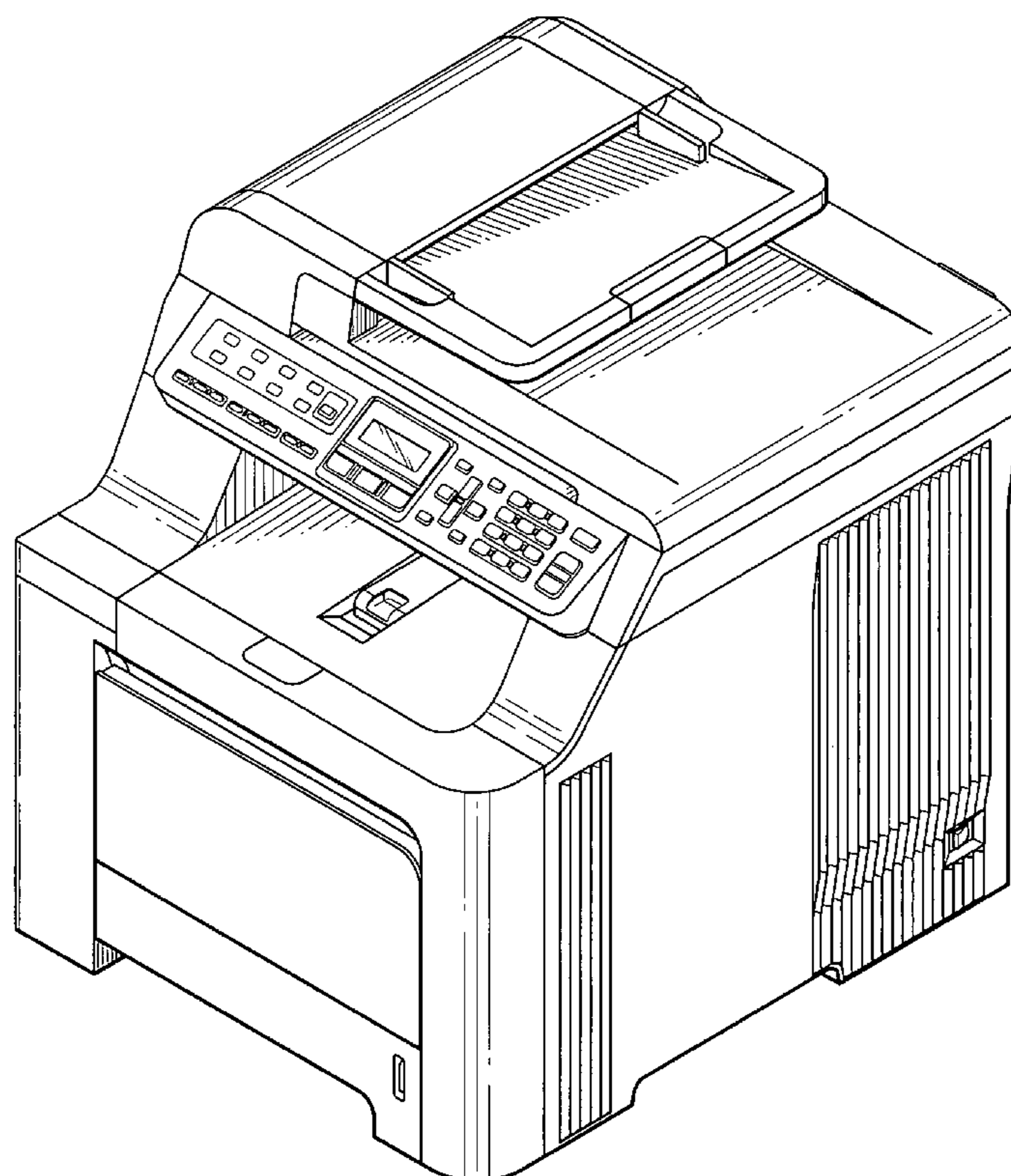
FIG. 5 is a left side view thereof;

FIG. 6 is a rear view thereof; and,

FIG. 7 is a bottom view thereof.

The broken lines are for illustrative purposes only and form no part of the claimed design.

1 Claim, 7 Drawing Sheets



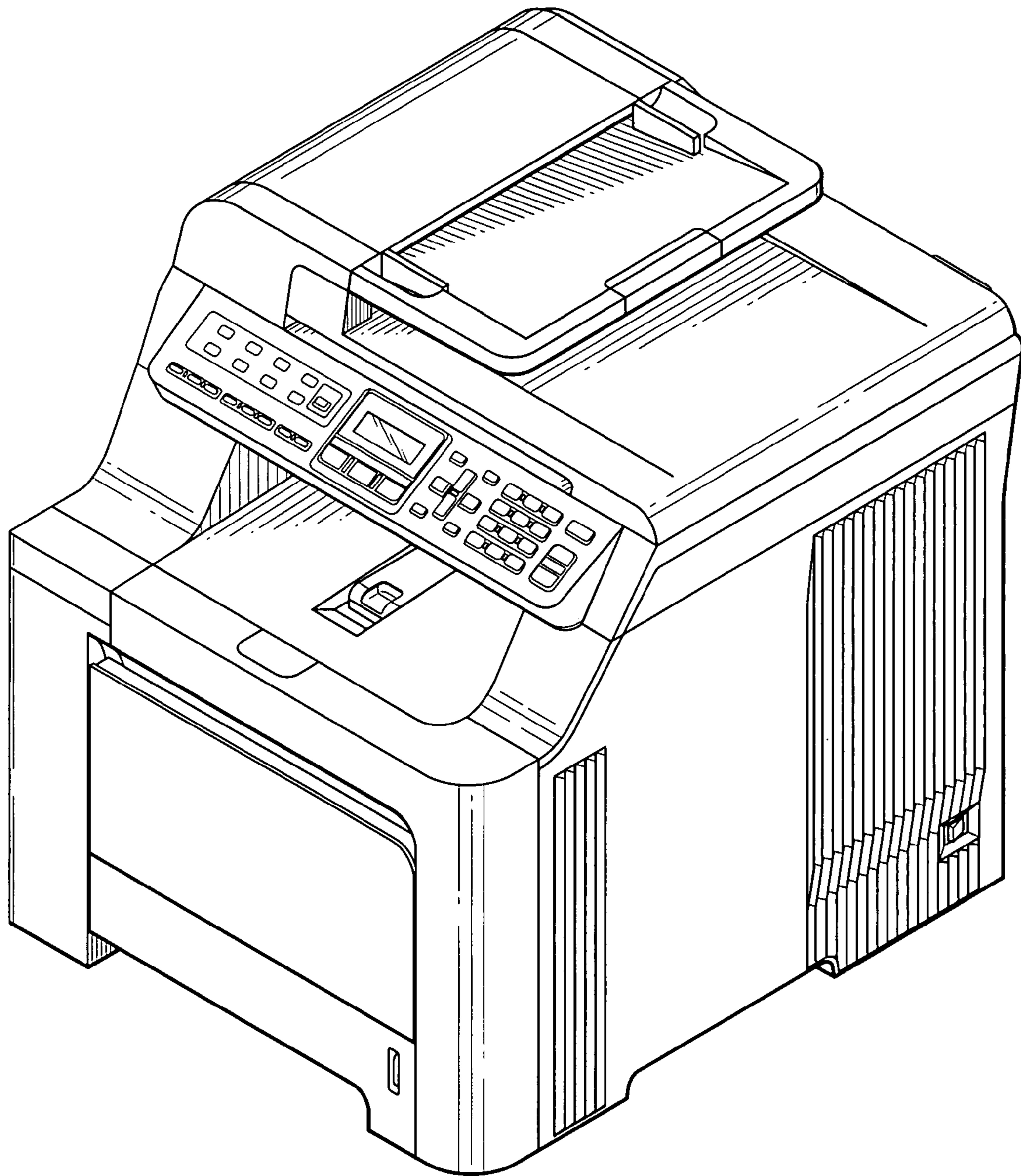


FIG. 1

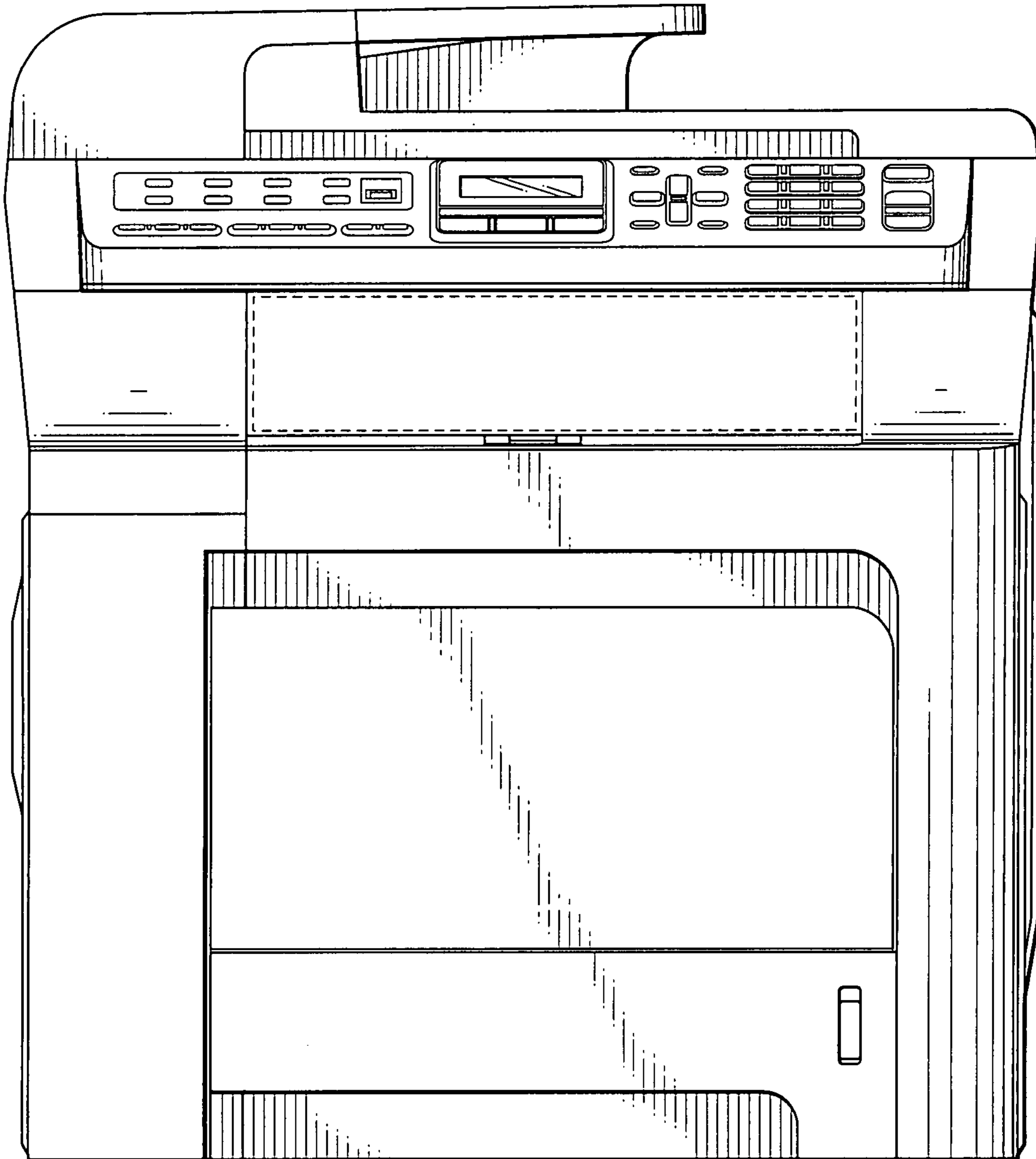


FIG. 2

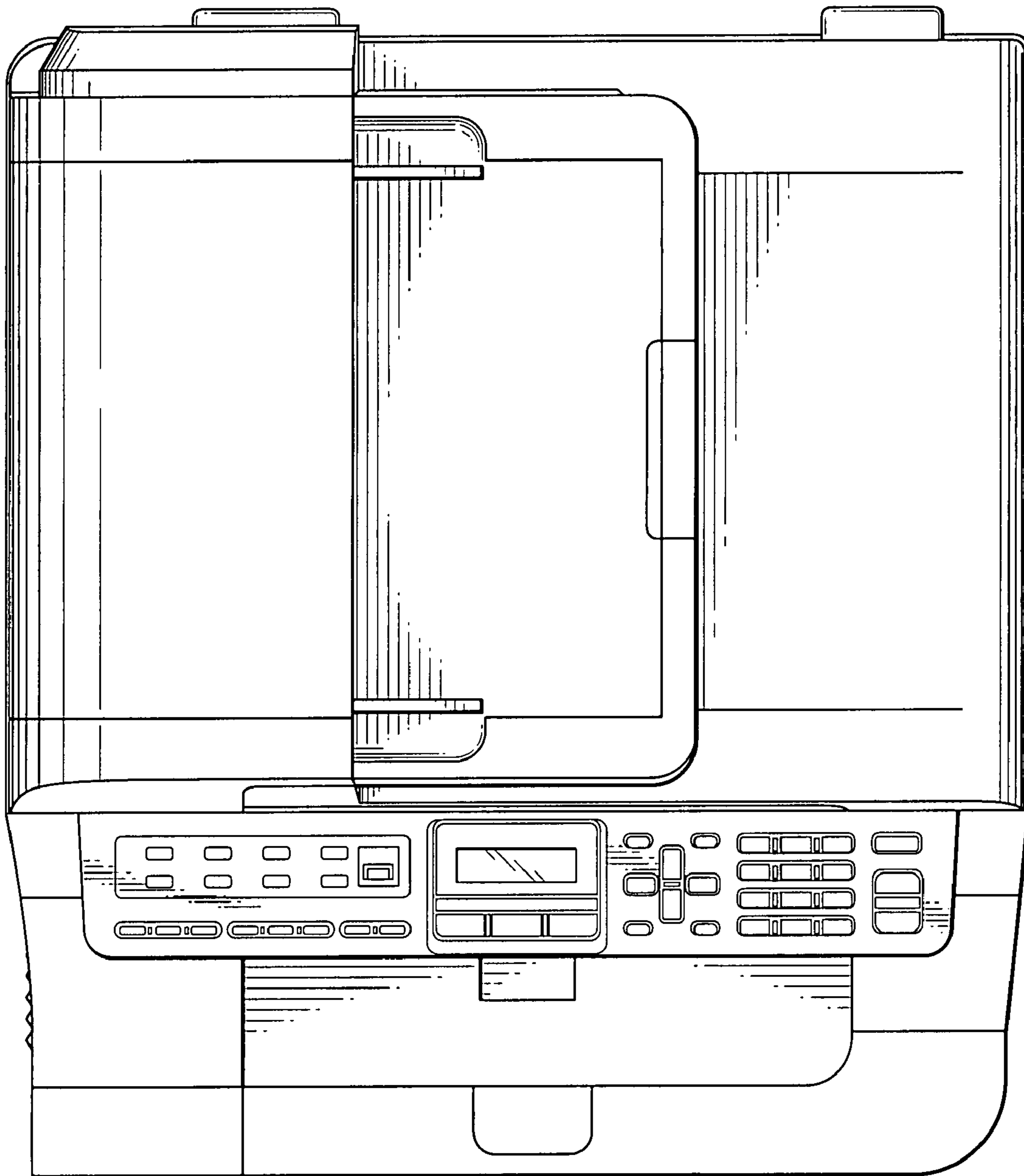


FIG. 3

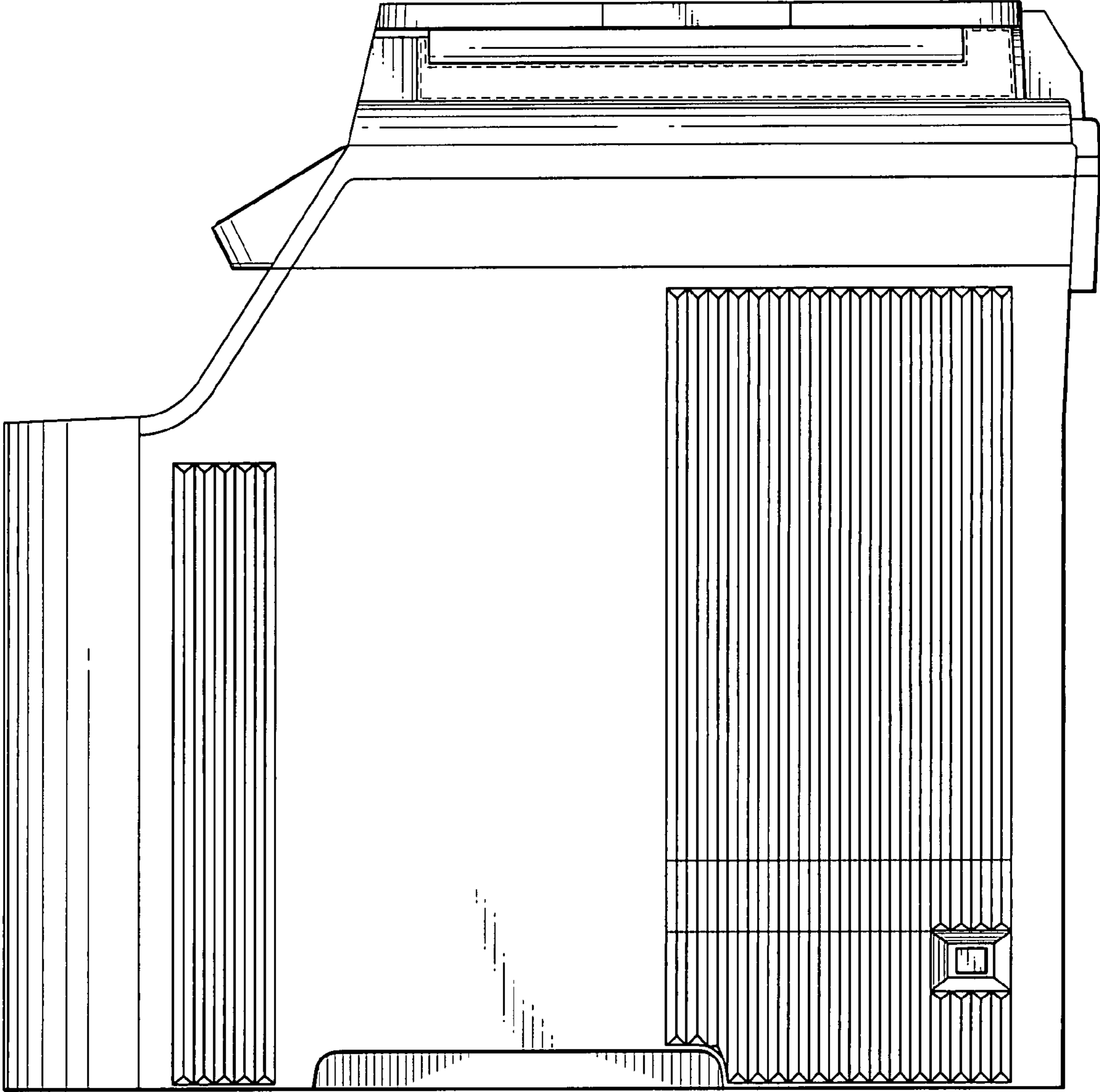


FIG. 4

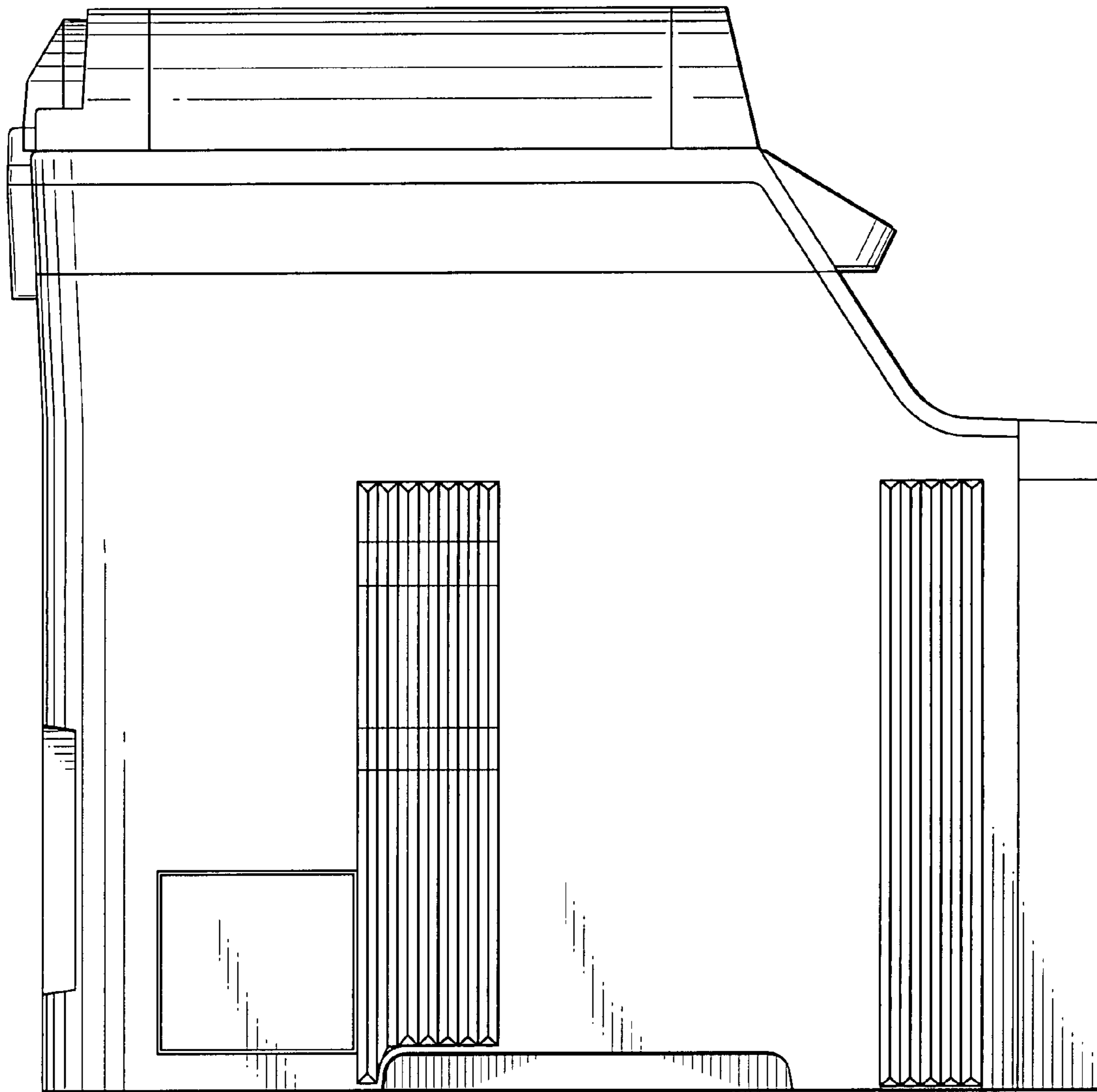


FIG. 5

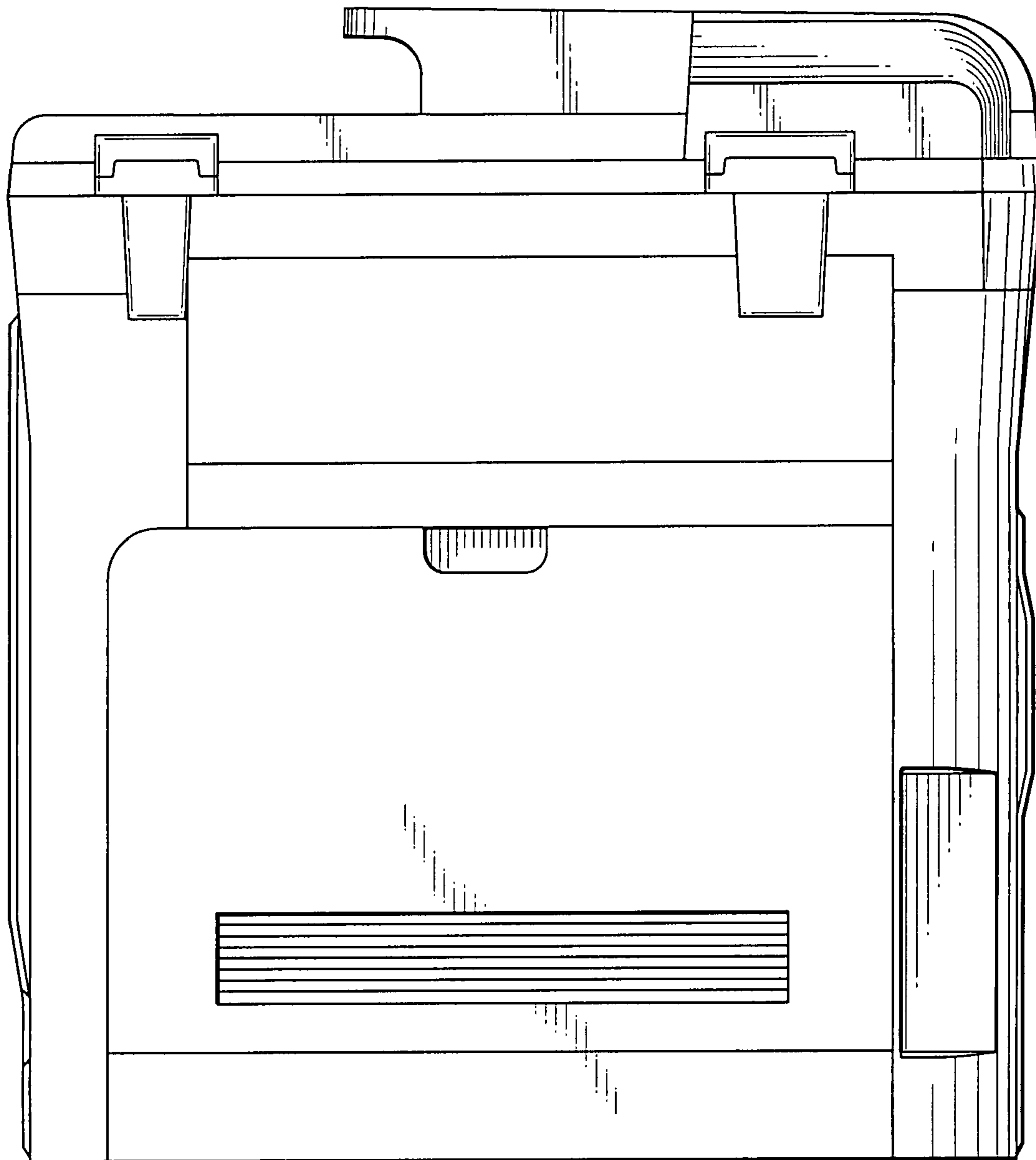


FIG. 6

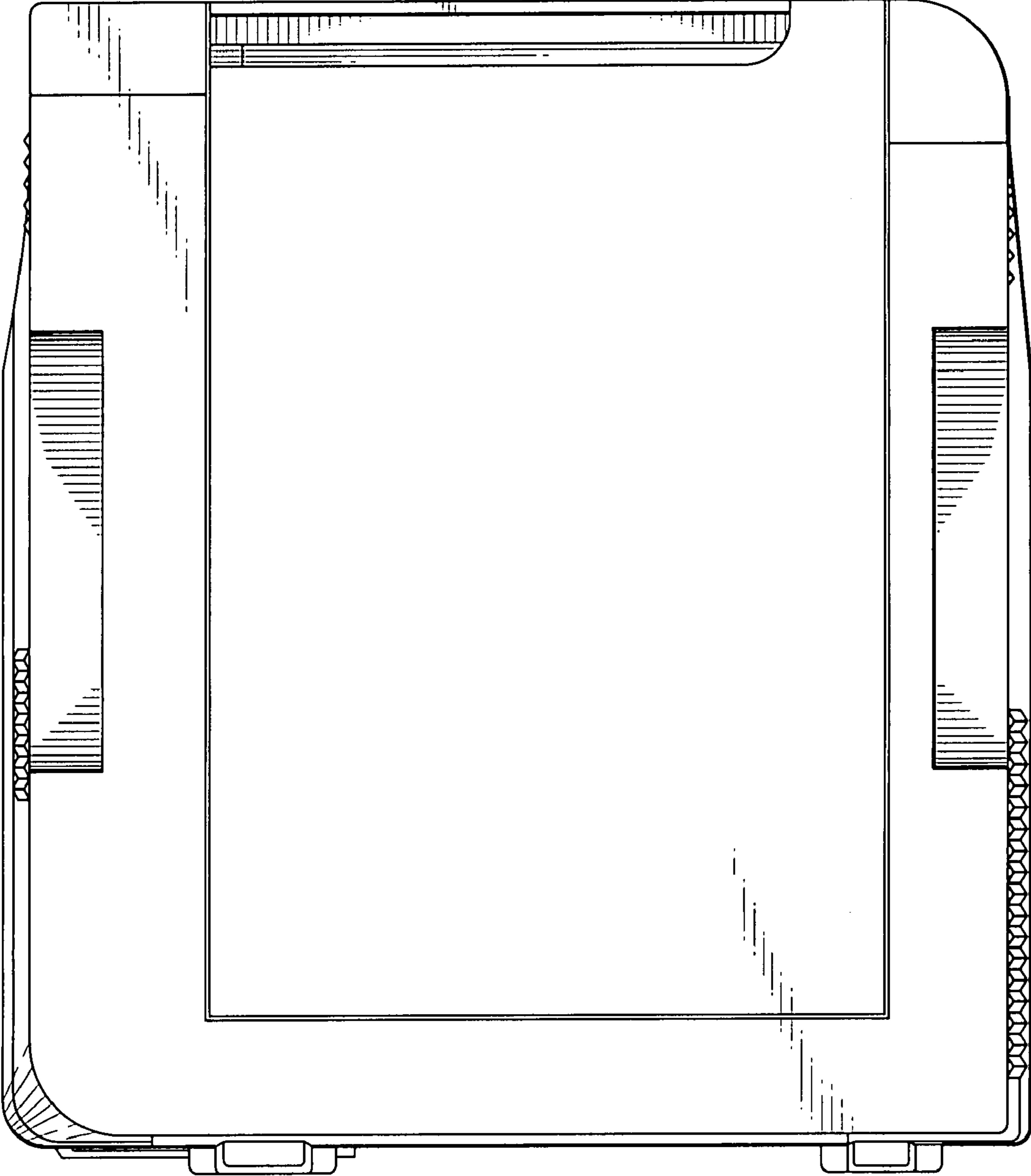


FIG. 7