

US00D574882S

(12) **United States Design Patent**
Saito et al.

(10) **Patent No.:** **US D574,882 S**
(45) **Date of Patent:** **** Aug. 12, 2008**

(54) **TONER CARTRIDGE**

D524,848 S * 7/2006 Murata D18/43

(75) Inventors: **Yasuhide Saito**, Saitama (JP); **Shinichi Sakai**, Saitama (JP); **Akinori Ono**, Saitama (JP)

(73) Assignee: **Fuji Xerox Co., Ltd.**, Tokyo (JP)

(**) Term: **14 Years**

(21) Appl. No.: **29/296,660**

(22) Filed: **Oct. 25, 2007**

(30) **Foreign Application Priority Data**

Apr. 26, 2007 (JP) 2007-011246

(51) **LOC (8) Cl.** **16-03**

(52) **U.S. Cl.** **D18/43**

(58) **Field of Classification Search** D14/471;
D18/12, 36, 40, 43, 44, 56; 222/DIG. 1;
347/197, 222; 399/24-28, 107-112, 119,
399/121, 122, 222-224

See application file for complete search history.

(56) **References Cited**

U.S. PATENT DOCUMENTS

- D368,112 S * 3/1996 Komaki D18/43
- D451,125 S * 11/2001 Sugiyama et al. D18/40
- D463,817 S * 10/2002 Kunihiro et al. D18/40
- D464,369 S * 10/2002 Kunihiro et al. D18/43
- 6,463,233 B2 * 10/2002 Kojima et al. 399/111
- D478,614 S * 8/2003 Numagami et al. D18/40
- D519,150 S * 4/2006 Kojima et al. D18/40
- D522,565 S * 6/2006 Sanada et al. D18/43

OTHER PUBLICATIONS

- U.S. Appl. No. 29/296,670, filed Oct. 25, 2007, Yasuhide Saito.
- U.S. Appl. No. 29/296,661, filed Oct. 25, 2007, Yasuhide Saito.
- U.S. Appl. No. 29/296,643, filed Oct. 25, 2007, Kazuhiro Saito.
- U.S. Appl. No. 29/296,720, filed Oct. 26, 2007, Yasuhide Saito.

* cited by examiner

Primary Examiner—Caron D. Veynar

Assistant Examiner—Garth Rademaker

(74) *Attorney, Agent, or Firm*—Sughrue Mion, PLLC

(57) **CLAIM**

The ornamental design for a toner cartridge, as shown and described.

DESCRIPTION

FIG. 1 is a perspective view of front, bottom and left side of a toner cartridge showing our new design;

FIG. 2 is a perspective view of top, rear and left side thereof;

FIG. 3 is a front view thereof;

FIG. 4 is a rear side view;

FIG. 5 is a top plan view thereof;

FIG. 6 is a bottom view thereof;

FIG. 7 is a right side view thereof;

FIG. 8 is a left side view thereof; and,

FIG. 9 is a perspective view thereof, shown at an enlarged scale.

The broken lines depict environmental subject matter only and form no part of the claimed design.

1 Claim, 4 Drawing Sheets

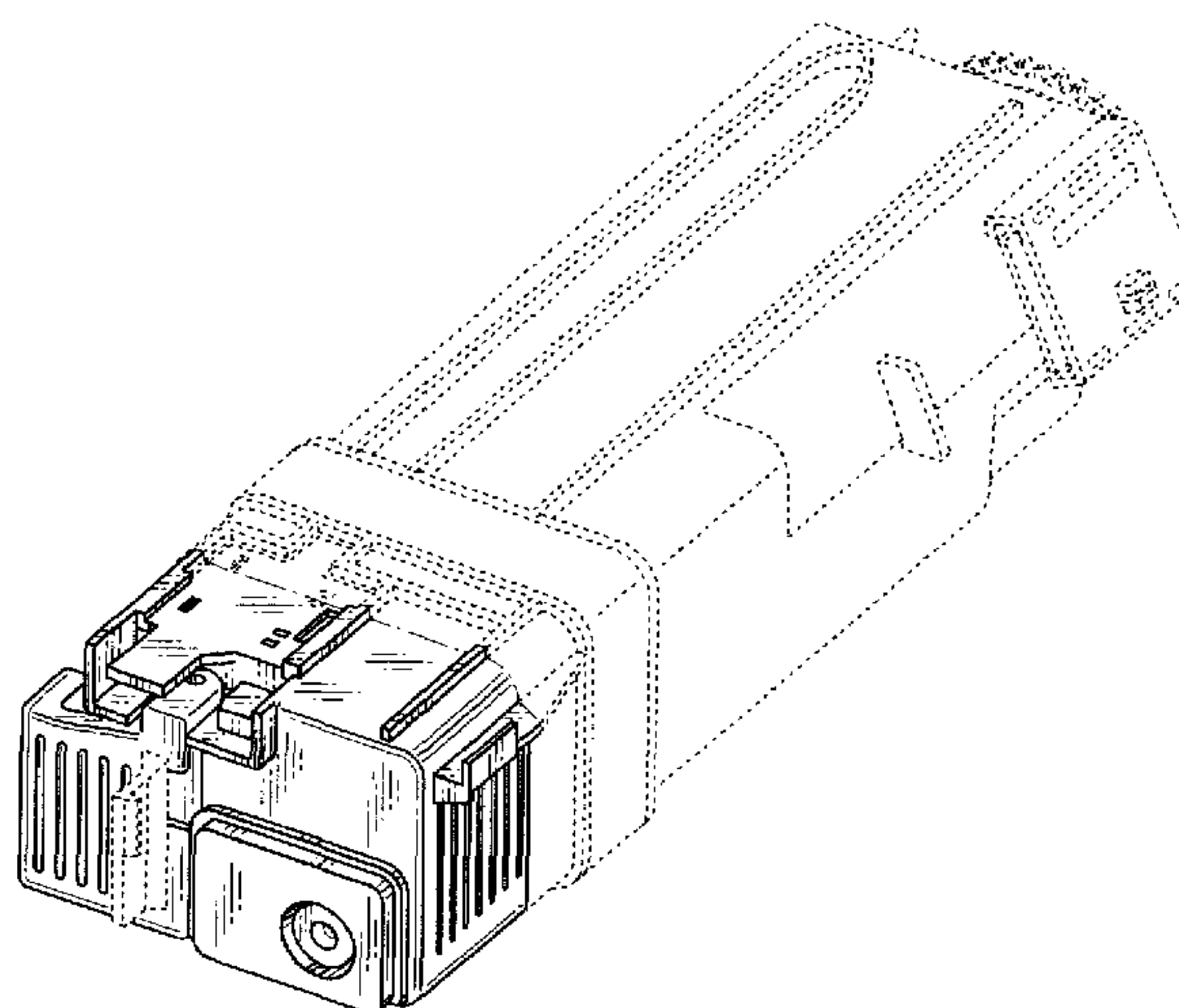
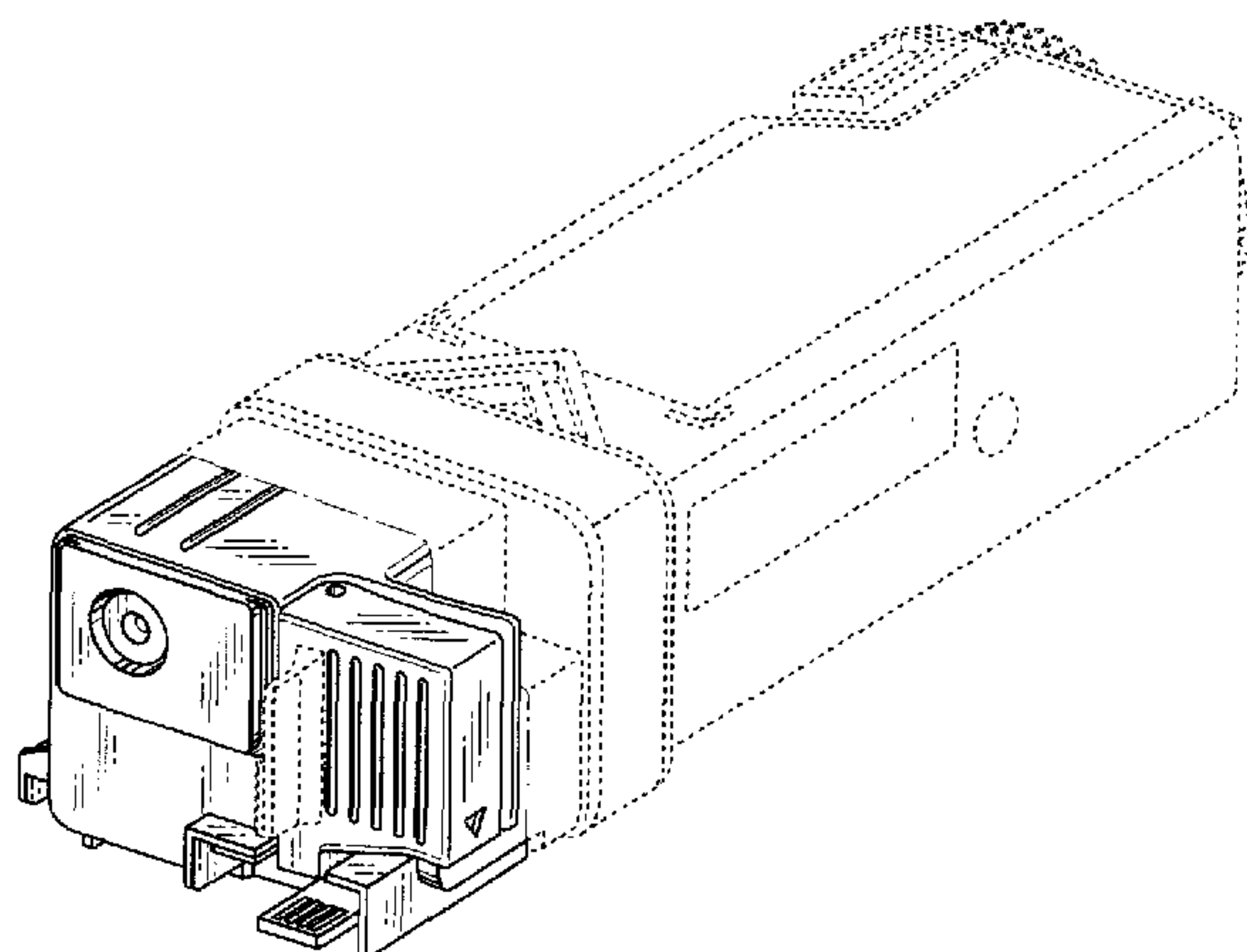


FIG. 1

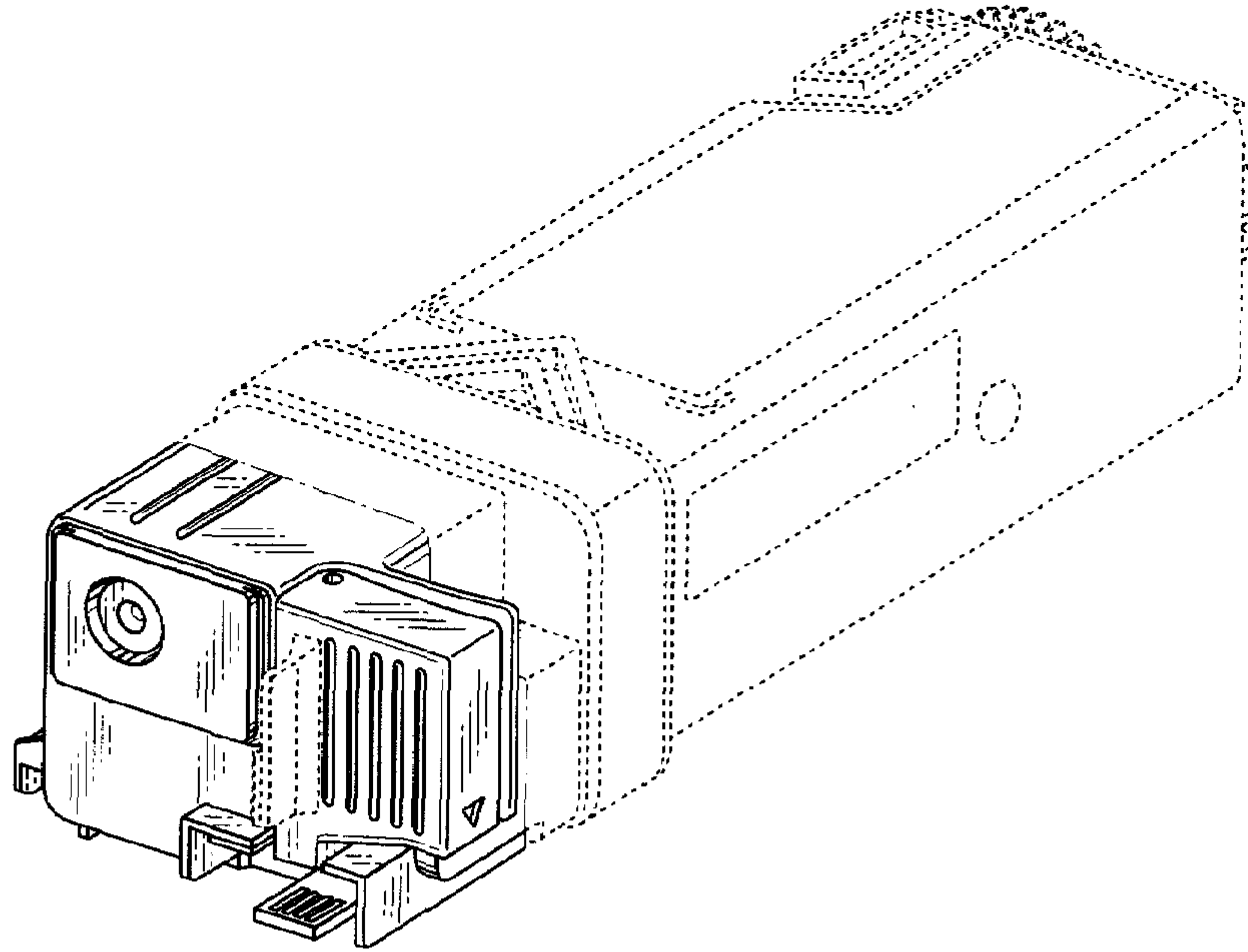


FIG. 2

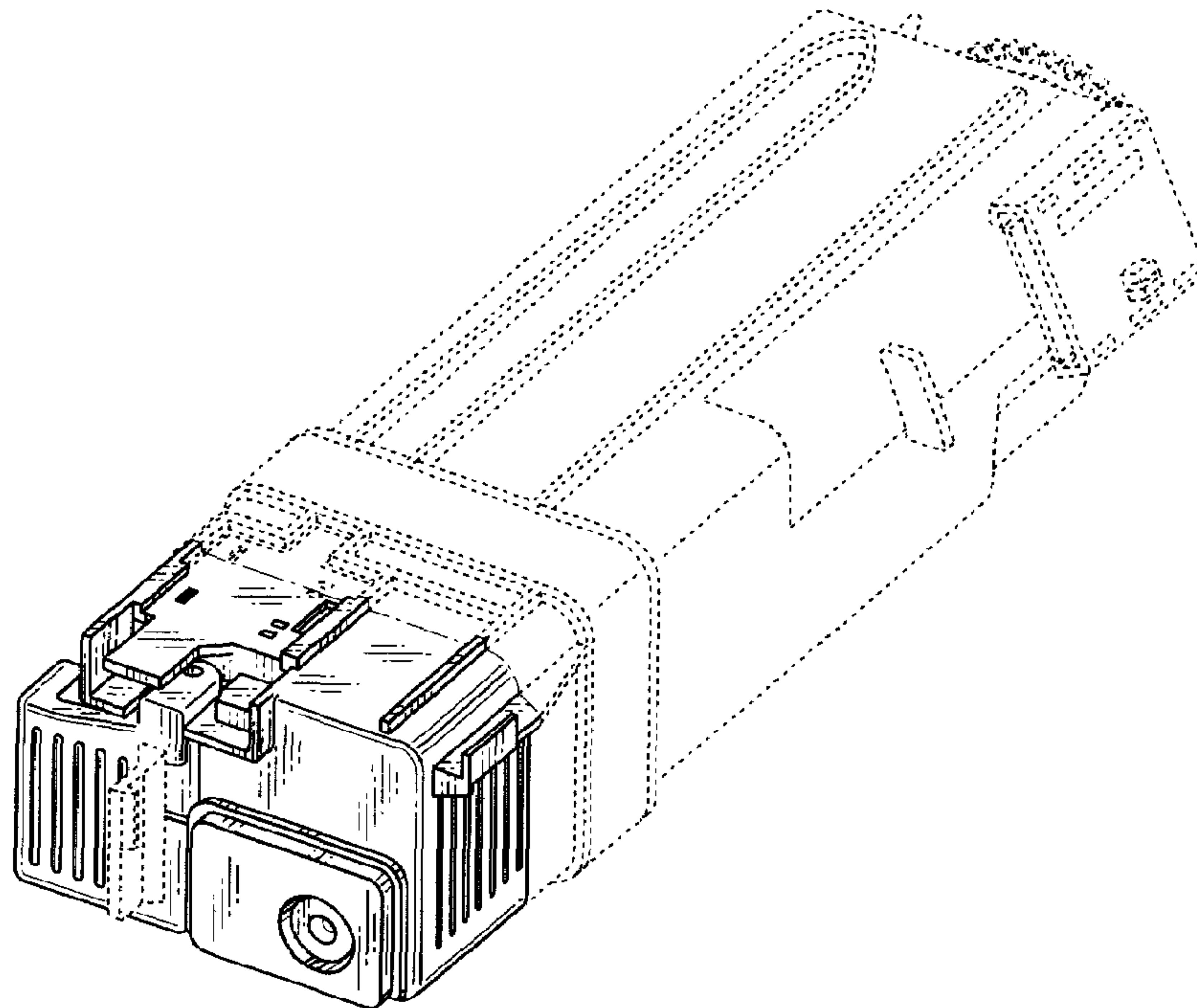


FIG.3

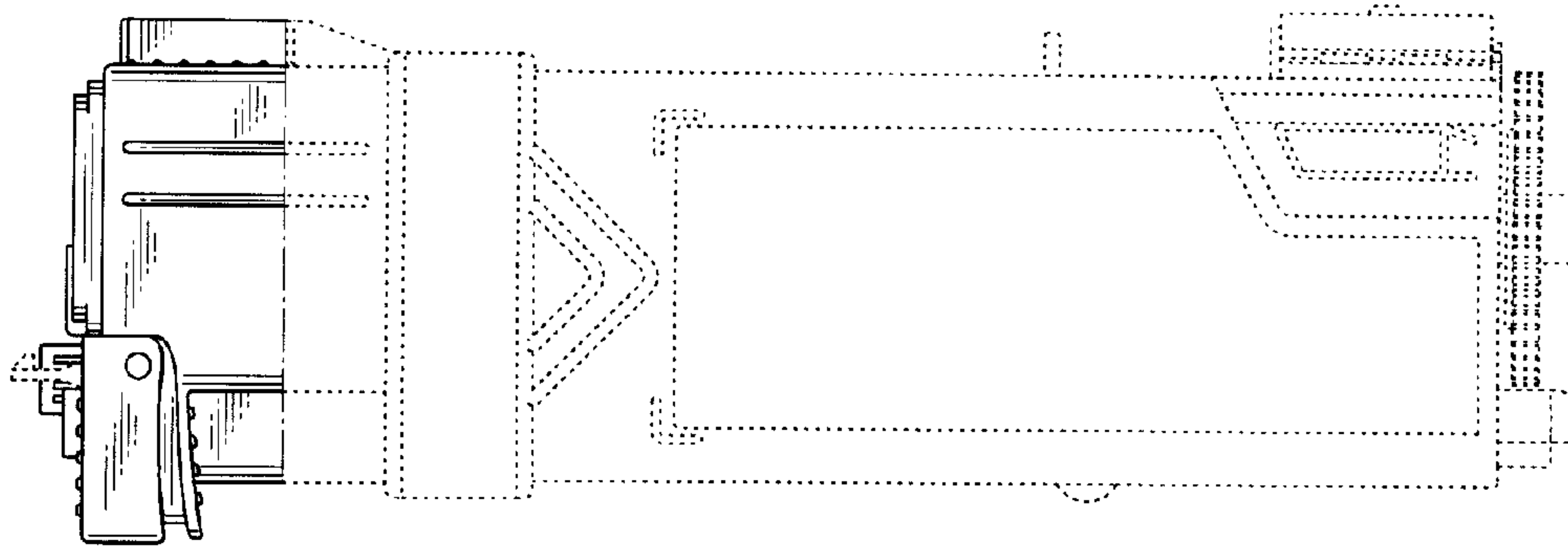


FIG.4

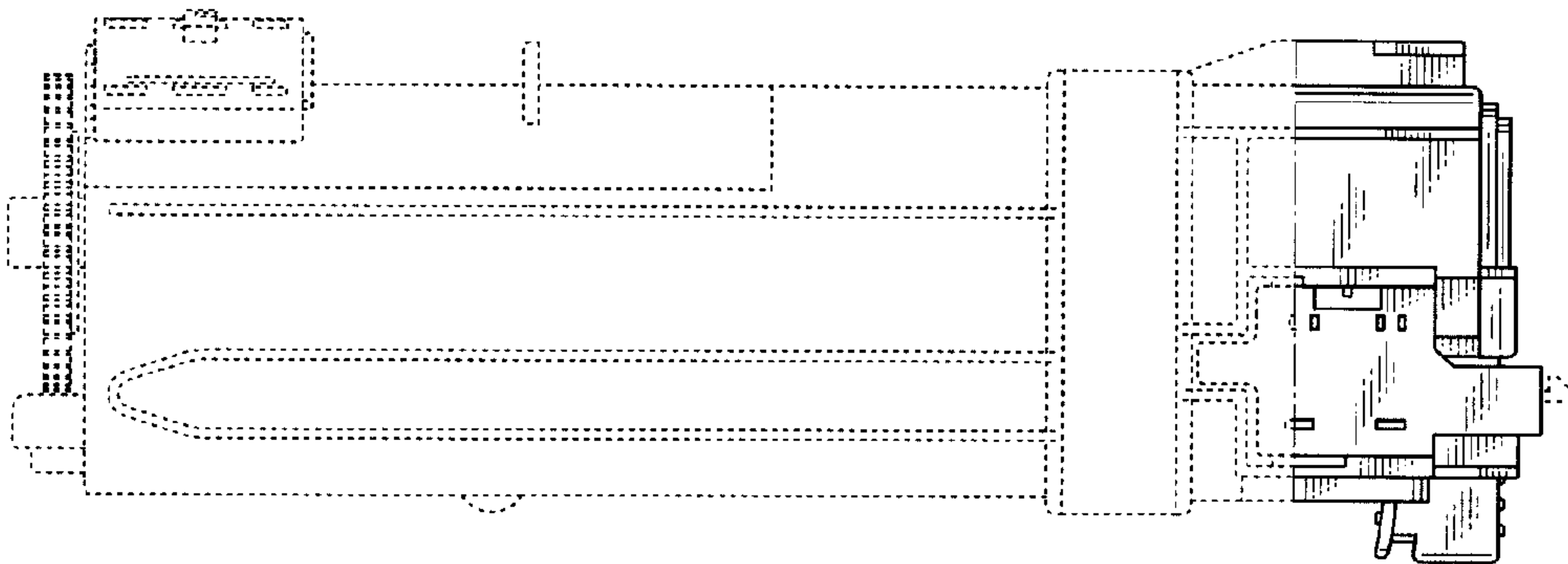


FIG.5

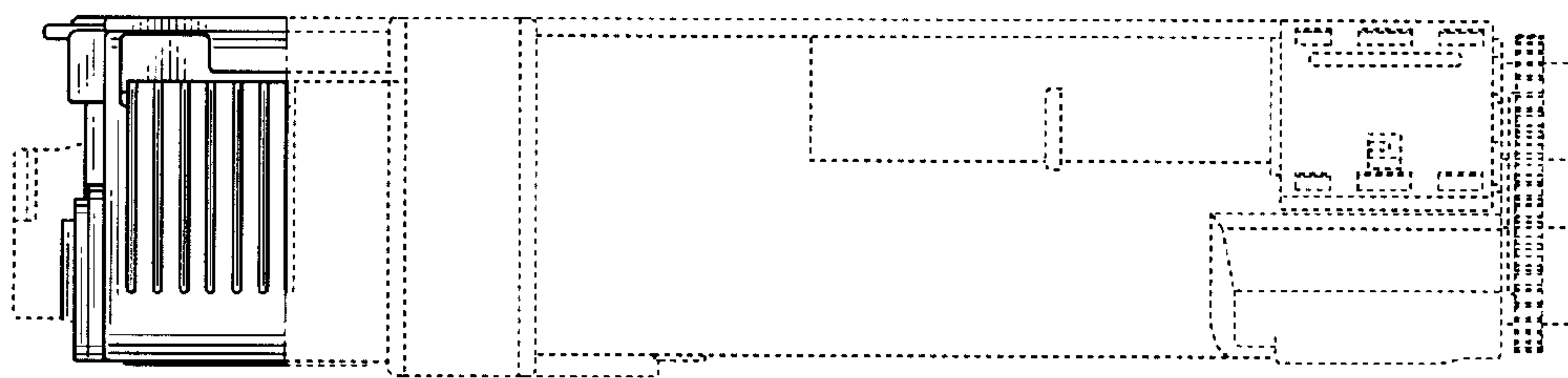


FIG.6

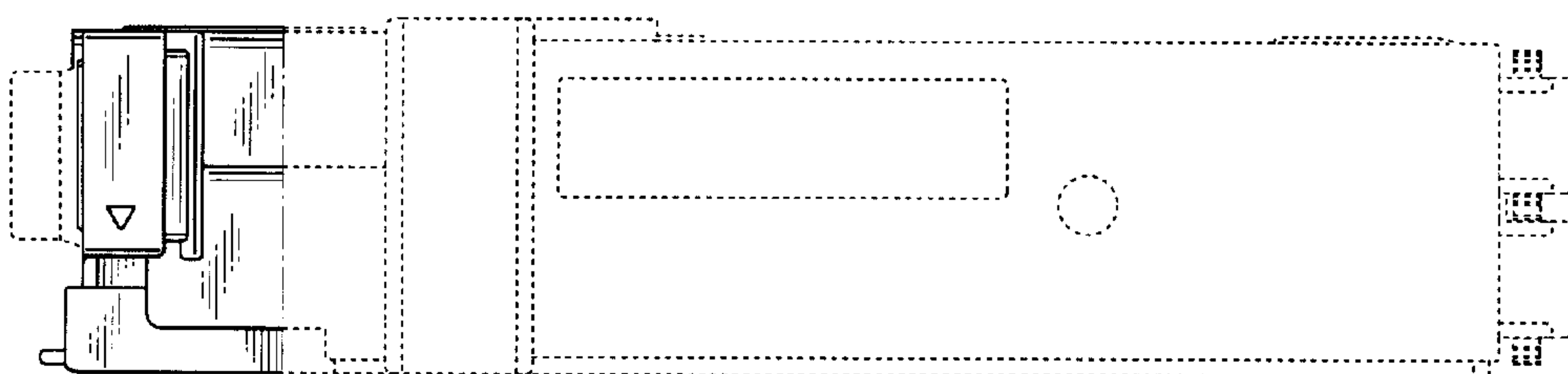


FIG.7

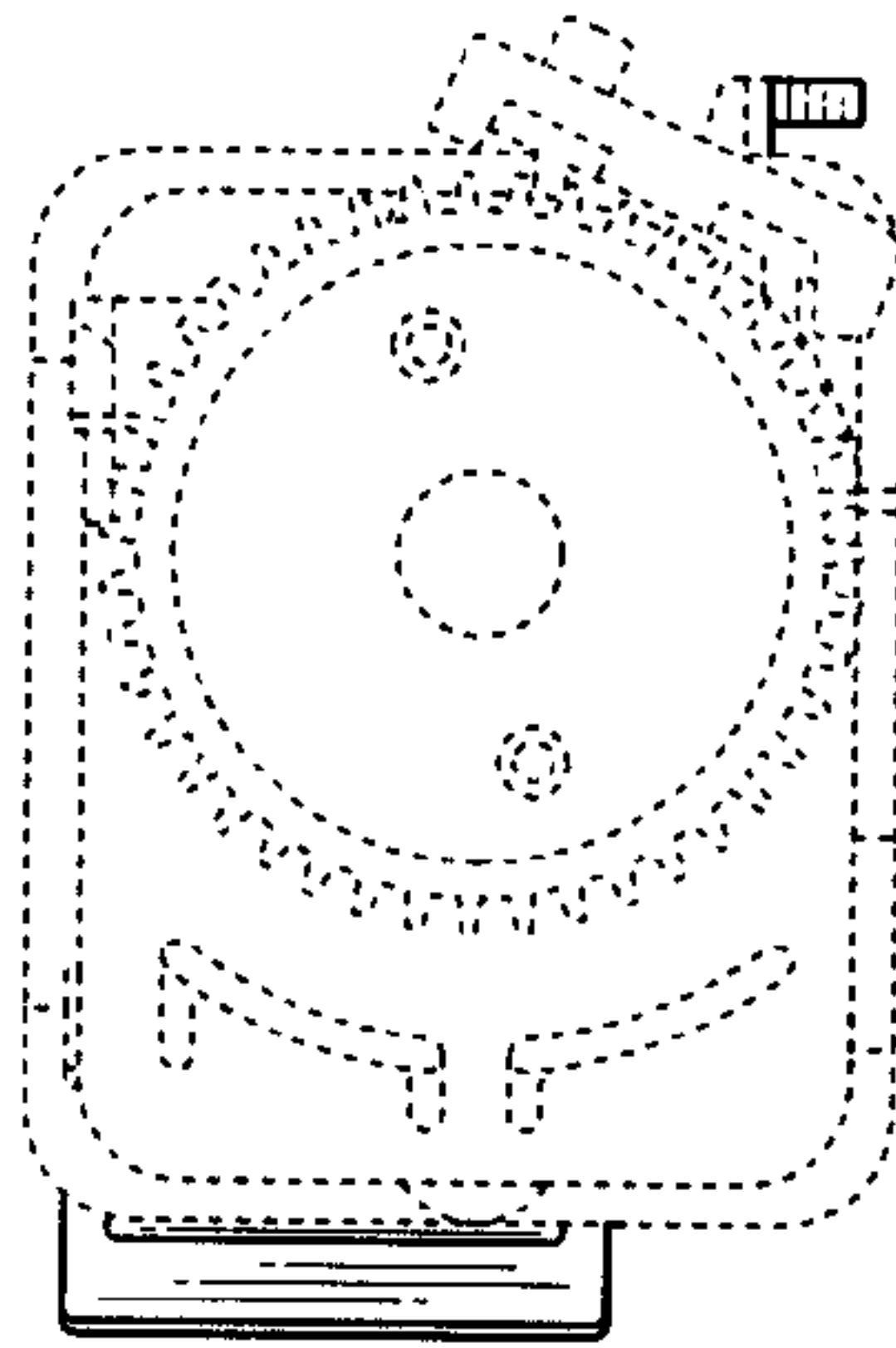


FIG.9

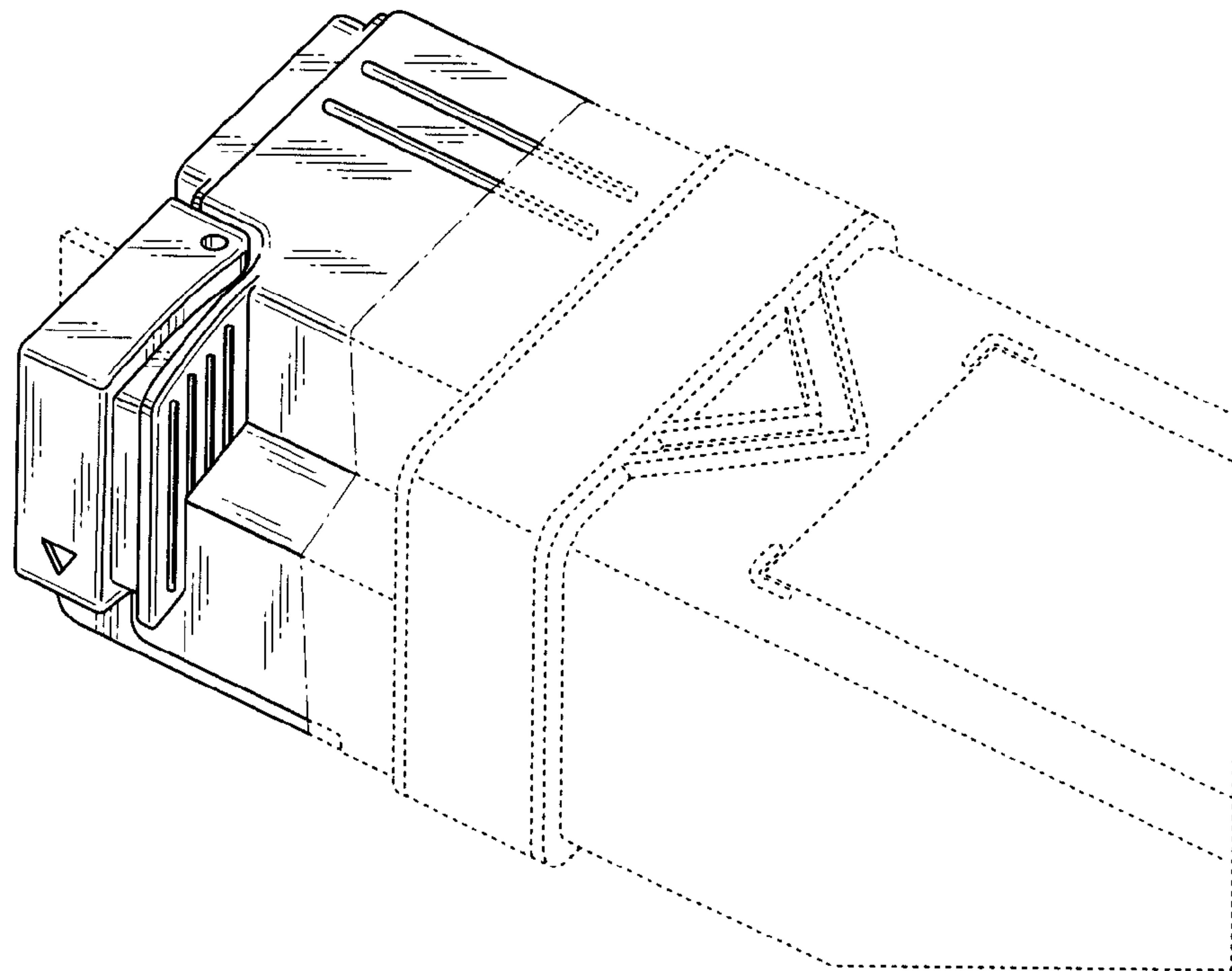


FIG. 8

