



US00D574881S

(12) **United States Design Patent**
Forbes et al.

(10) **Patent No.:** **US D574,881 S**
(45) **Date of Patent:** **** Aug. 12, 2008**

(54) **DOCUMENT PROCESSING DEVICE**

D320,904 S 10/1991 Coleman et al.

(75) Inventors: **John R Forbes**, Media, PA (US);
Robert R DeWitt, Marlton, NJ (US)

(Continued)

(73) Assignee: **Opex Corporation**, Moorestown, NJ
(US)

OTHER PUBLICATIONS

(**) Term: **14 Years**

U.S. Appl. No. 10/862,021, filed Jun. 4, 2004 entitled: "Method and Apparatus for Processing Mail to Obtain Image Data of Contents".
U.S. Appl. No. 10/931,529, filed Aug. 31, 2004 entitled: "Method and Apparatus for Processing Mail to Obtain Image Data of Contents".
U.S. Appl. No. 10/931,530, filed Aug. 31, 2004 entitled: "Method and Apparatus for Processing Mail to Obtain Image Data of Contents".

(21) Appl. No.: **29/224,752**

(22) Filed: **Mar. 7, 2005**

Primary Examiner—Charles A. Rademaker

Assistant Examiner—Charles D Hanson

(51) **LOC (8) Cl.** **19-99**

(52) **U.S. Cl.** **D18/35.1**

(58) **Field of Classification Search** D18/46,
D18/47, 49, 99, 35.1, 50; D15/145, 199,
D15/147; D14/305; 705/1, 60; 414/788,
414/788.1, 788.4; 209/601, 539; 53/381.6,
53/492, 381.3; D6/478

(74) *Attorney, Agent, or Firm*—Stephen H. Eland; Dann,
Dorfman, Herrell and Skillman

See application file for complete search history.

(57) **CLAIM**

The ornamental design for a document processing device, as shown and described.

(56) **References Cited**

DESCRIPTION

U.S. PATENT DOCUMENTS

D147,247 S *	8/1947	Kress	D18/46
D176,026 S *	11/1955	Kress	D18/46
D192,802 S *	5/1962	McCormick	D18/46
3,979,884 A	9/1976	Russell		
4,009,789 A *	3/1977	Runyan et al.	414/788
D257,145 S *	9/1980	Soda	D14/305
4,353,197 A *	10/1982	Stevens et al.	53/492
D268,677 S *	4/1983	Ohie et al.	D14/305
4,388,793 A *	6/1983	Kunne	53/381.5
D277,624 S	2/1985	Stevens et al.		
D280,100 S *	8/1985	Ungar	D14/305
D283,094 S *	3/1986	Strand et al.	D6/478
4,576,287 A *	3/1986	Bingham et al.	209/601
4,863,037 A *	9/1989	Stevens et al.	53/381.3
4,866,908 A *	9/1989	Kunne et al.	53/381.6
D317,089 S	5/1991	Coleman et al.		
5,024,577 A *	6/1991	Miura	414/788.4

FIG. 1 is a front perspective view of a document processing device showing our new design;

FIG. 2 is a rear perspective view of the document processing device shown in FIG. 1;

FIG. 3 is a front elevational view of the document processing device shown in FIG. 1;

FIG. 4 is a top plan view of the document processing device shown in FIG. 1;

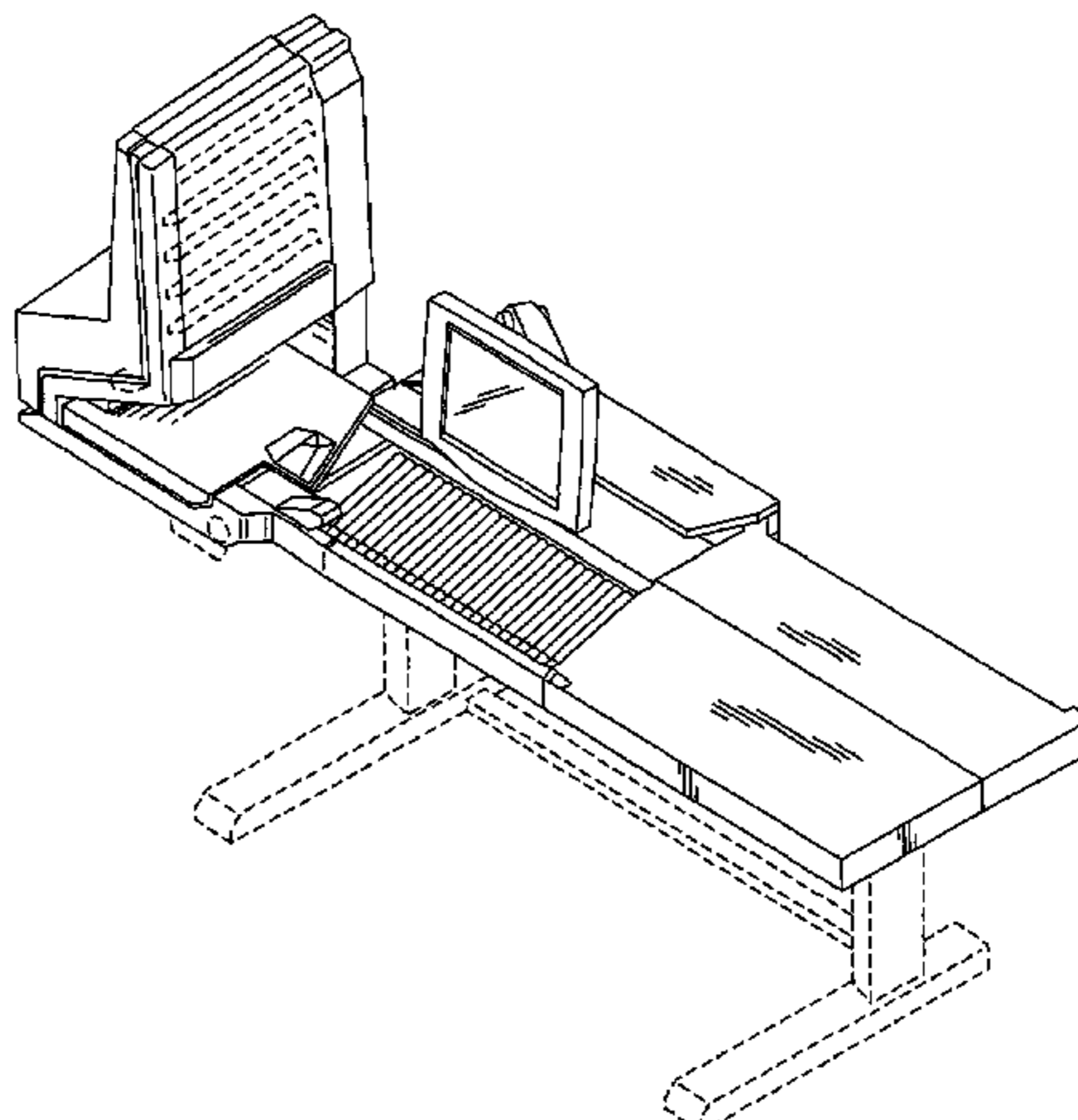
FIG. 5 is a right side view of the document processing device shown in FIG. 1;

FIG. 6 is a left side view of the document processing device shown in FIG. 1; and,

FIG. 7 is a back elevational view of the document processing device shown in FIG. 1.

The broken lines are included for the purpose of illustrating the base and defining boundaries in the upper portions and form no part of the claimed design.

1 Claim, 7 Drawing Sheets



US D574,881 S

Page 2

U.S. PATENT DOCUMENTS

D349,505 S *	8/1994	Hill et al.	D15/145	D424,078 S *	5/2000	Chin-Chang et al.	D15/145
D354,766 S *	1/1995	Meister, Jr.	D18/99	D433,041 S *	10/2000	Hill et al.	D15/145
D368,727 S *	4/1996	Stevens	D15/145	6,477,512 B1 *	11/2002	Beckstrom et al.	705/60
5,810,173 A *	9/1998	Stevens et al.	209/539	6,505,534 B2	1/2003	Robertson et al.	
D403,349 S *	12/1998	Hirose et al.	D18/46	D505,153 S	5/2005	DeWitt et al.	
5,944,477 A *	8/1999	Shill	414/788	6,942,444 B2 *	9/2005	Schoenbeck	414/788.1

* cited by examiner

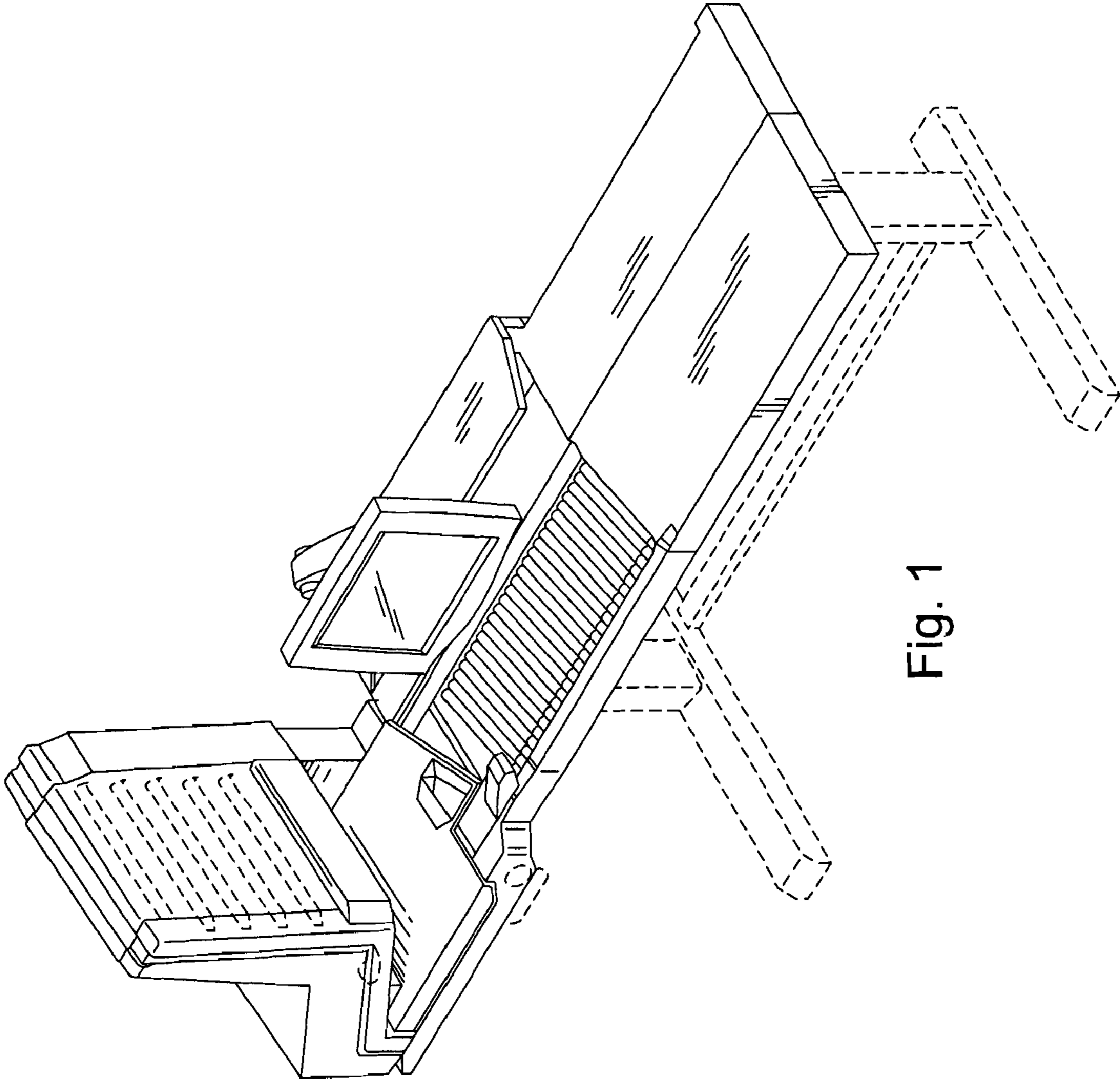


Fig. 1

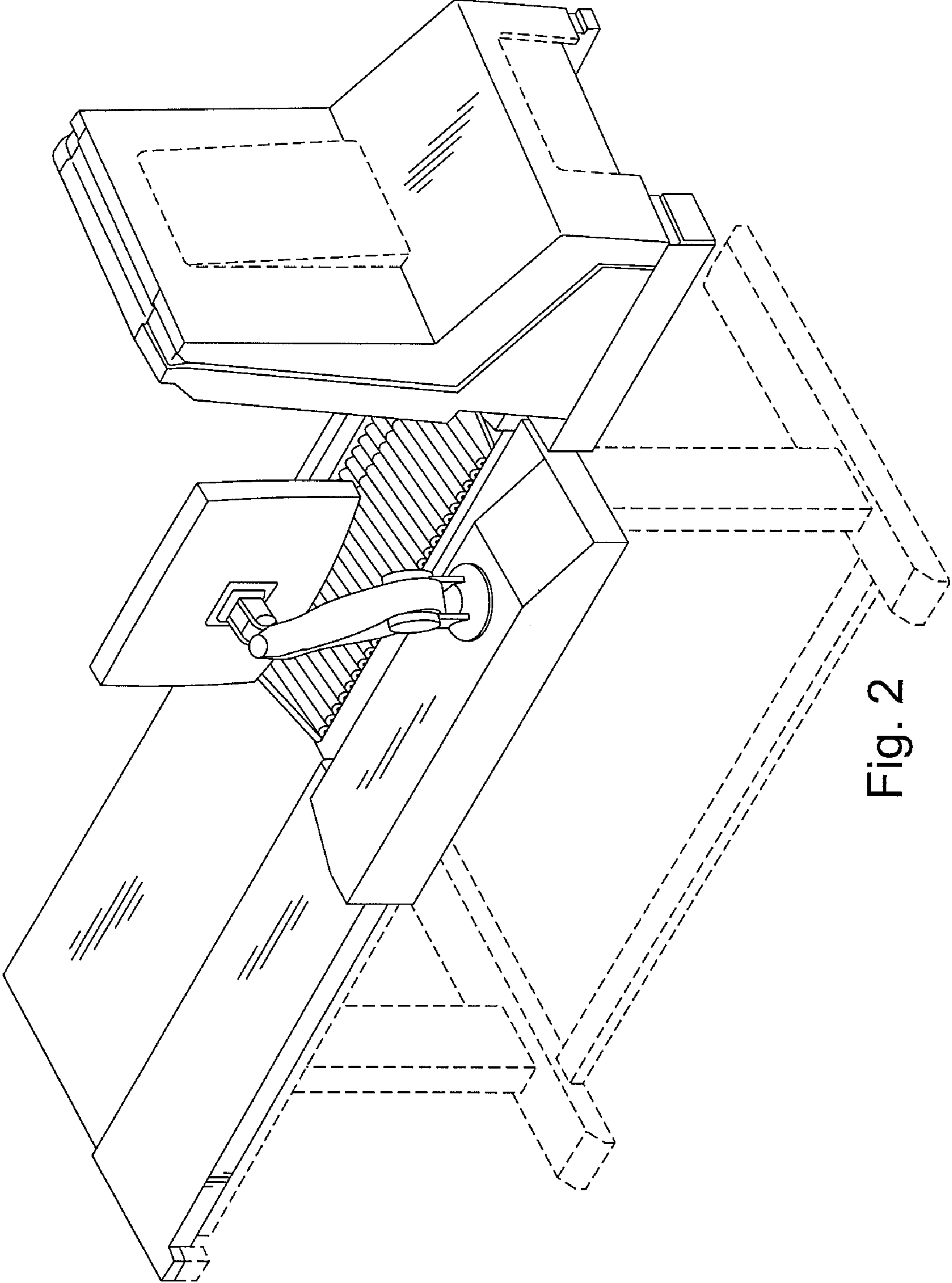


Fig. 2

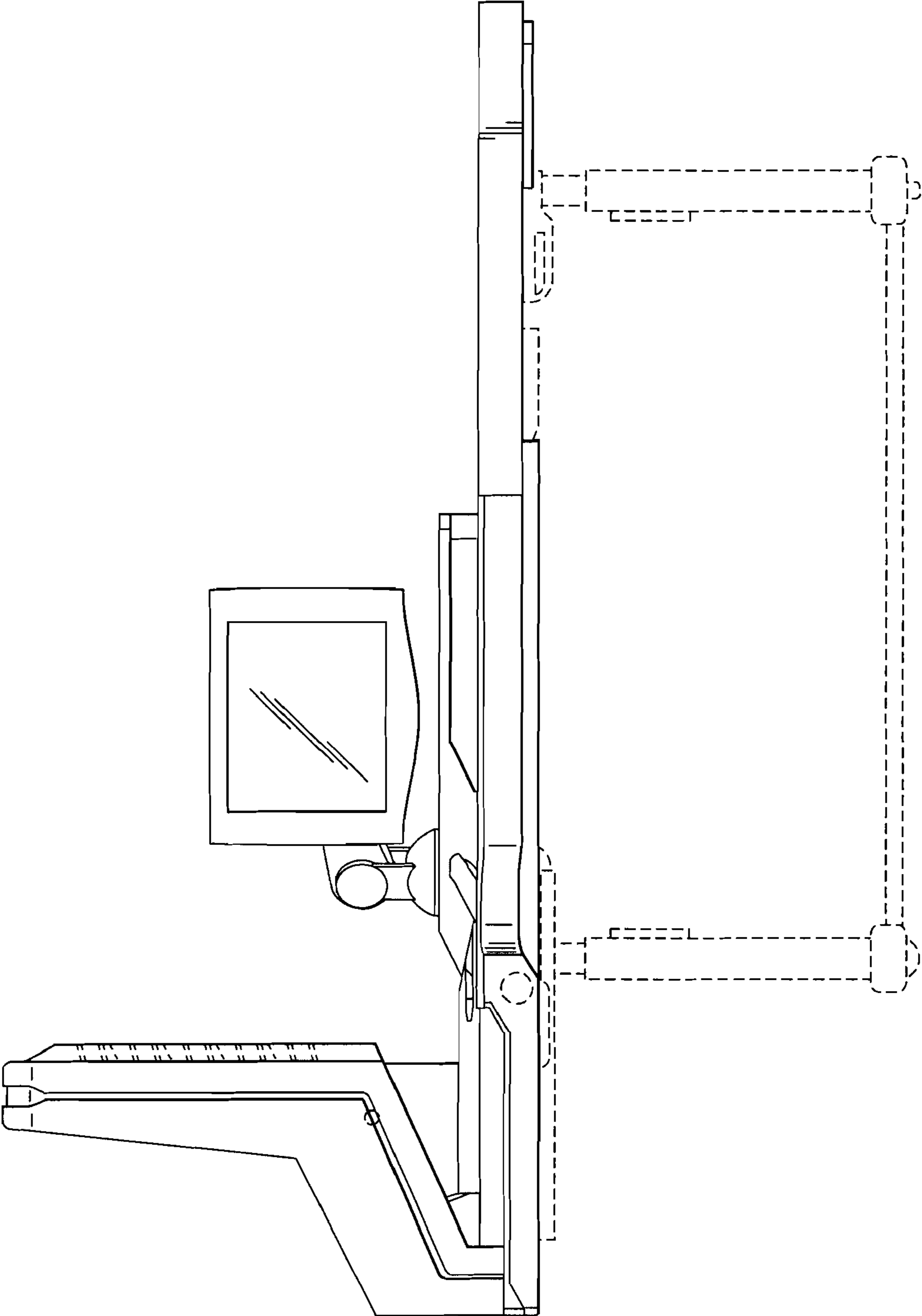


Fig. 3

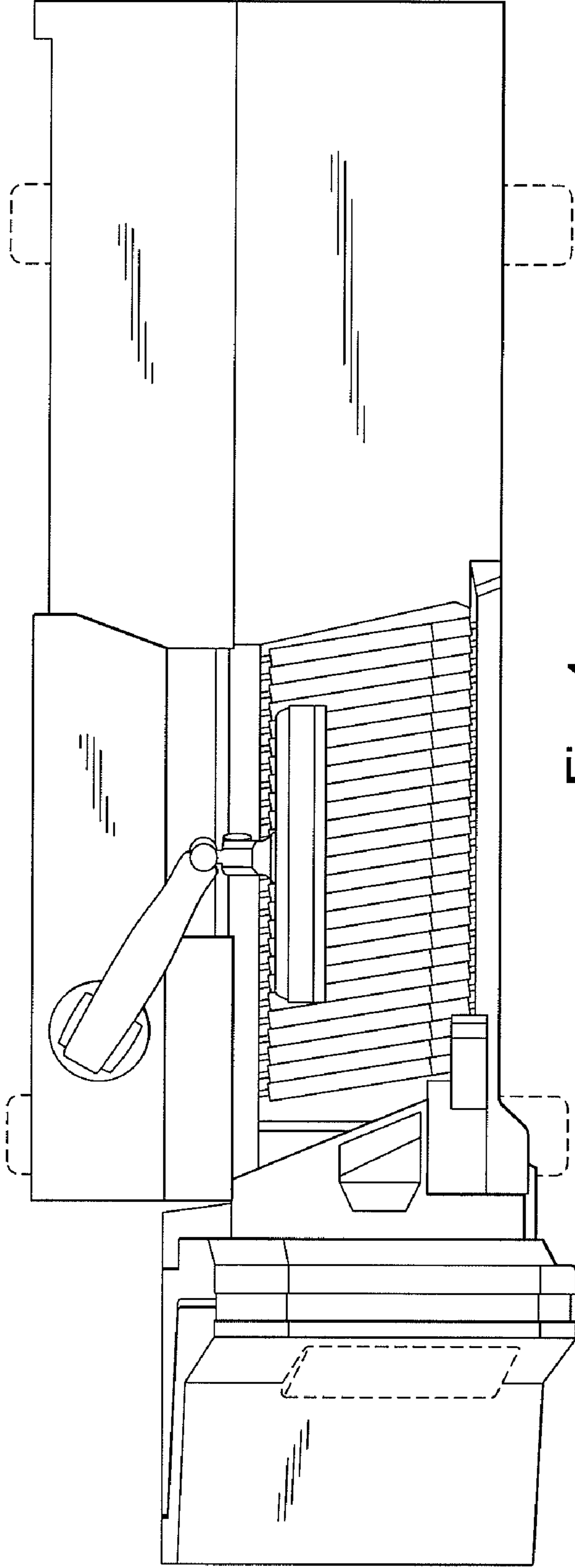


Fig. 4

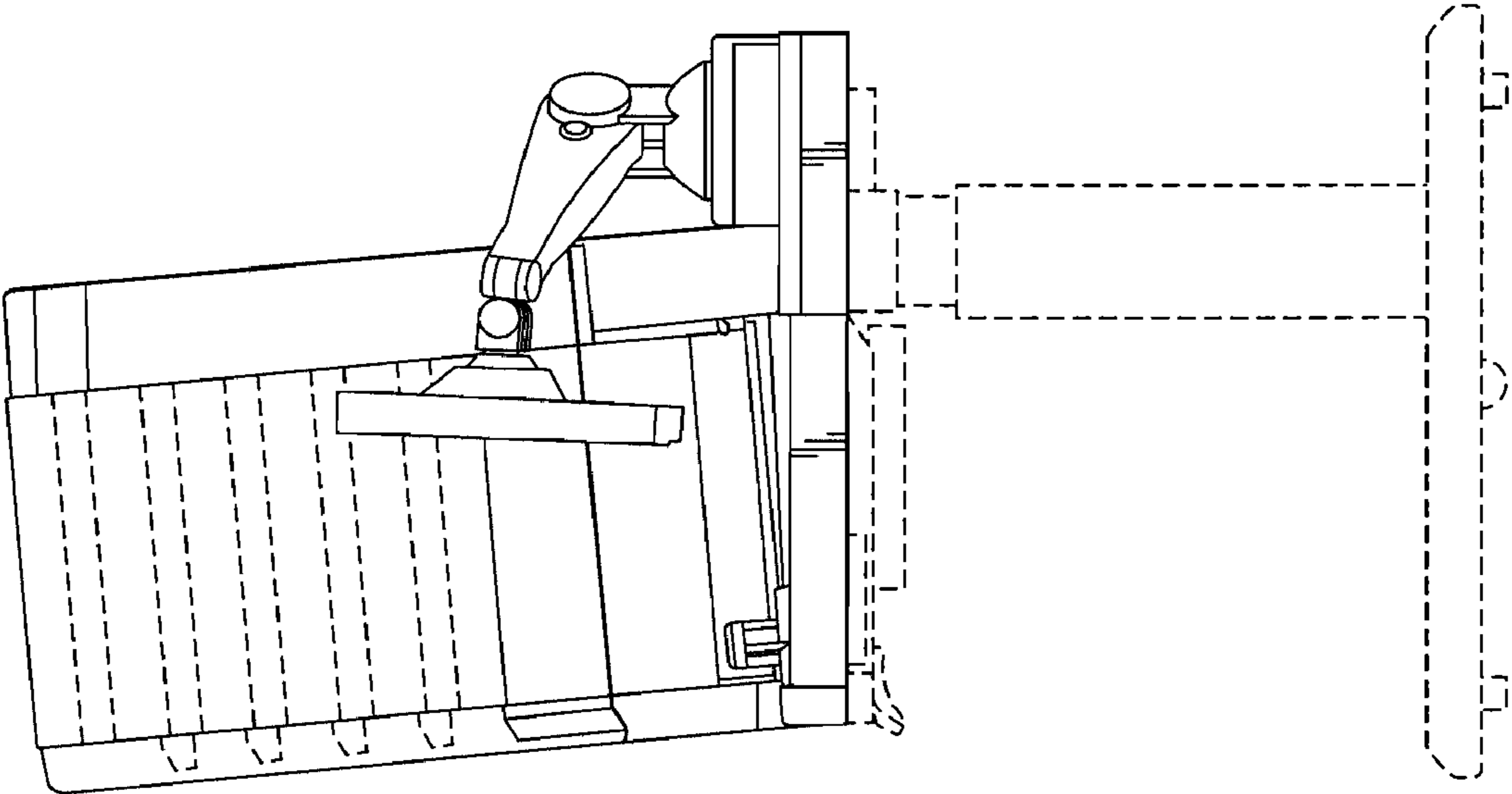


Fig. 5

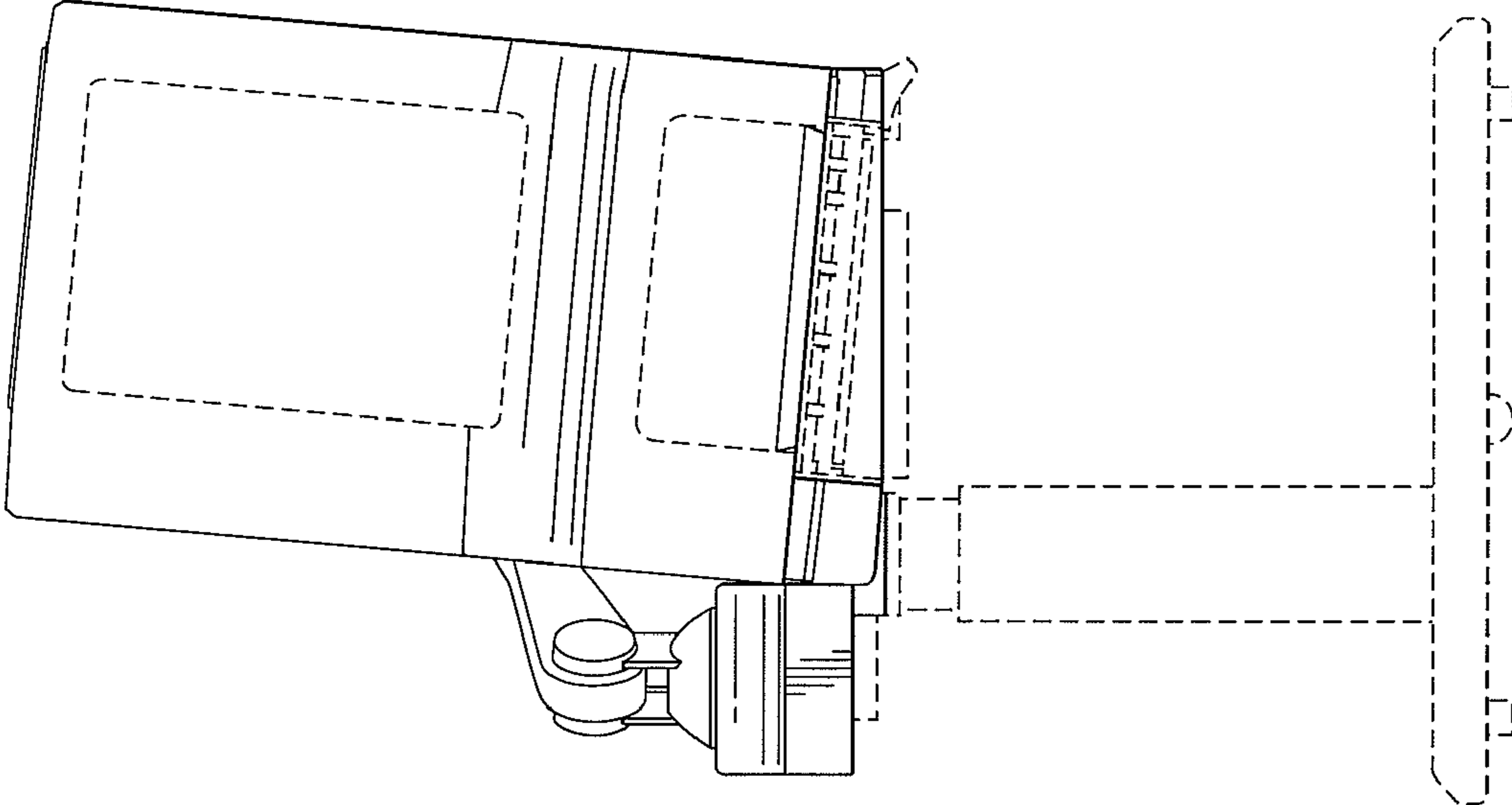


Fig. 6

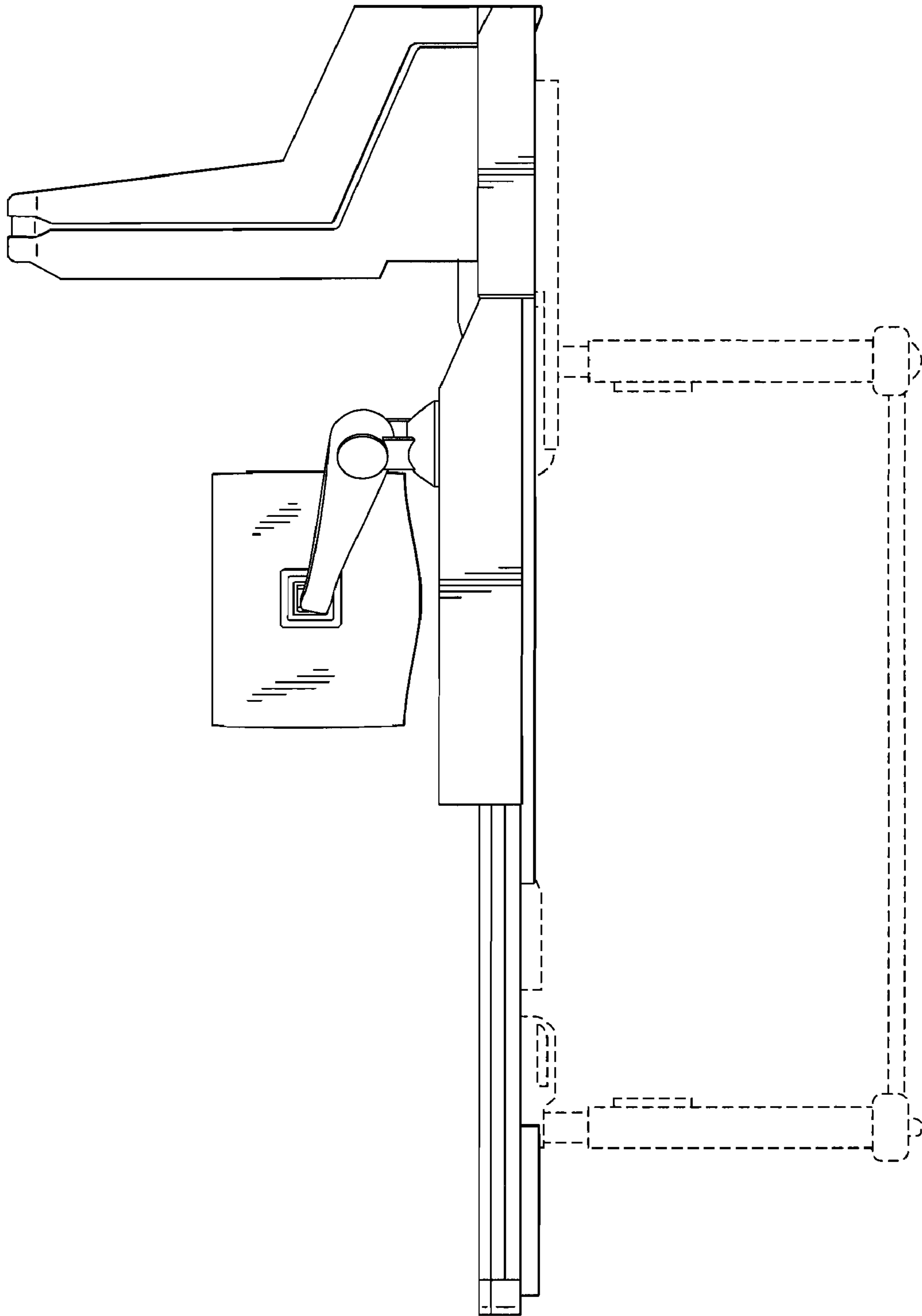


Fig. 7