



US00D574879S

(12) **United States Design Patent**  
**Onishi**

(10) **Patent No.:** **US D574,879 S**

(45) **Date of Patent:** **\*\* Aug. 12, 2008**

(54) **ELECTRONIC PIANO**

(75) Inventor: **Tamie Onishi**, Hamamatsu (JP)

(73) Assignee: **Yamaha Corporation**, Hamamatsu-Shi (JP)

(\*\*) Term: **14 Years**

(21) Appl. No.: **29/303,438**

(22) Filed: **Feb. 8, 2008**

(30) **Foreign Application Priority Data**

Oct. 5, 2007 (JP) ..... 2007-027300

(51) **LOC (8) Cl.** ..... **17-01**

(52) **U.S. Cl.** ..... **D17/7**

(58) **Field of Classification Search** ..... D17/1,  
D17/2, 7; 84/13, 172, 240, 423 R, 426, 743-746,  
84/174

See application file for complete search history.

(56) **References Cited**

**U.S. PATENT DOCUMENTS**

- D100,427 S \* 7/1936 Jacobs ..... D17/7
- 2,641,153 A \* 6/1953 Enochs et al. .... 84/403
- D177,707 S \* 5/1956 Anderson ..... D17/7
- 2,947,210 A \* 8/1960 Facey et al. .... 84/177
- D227,572 S \* 7/1973 Wyatt ..... D19/60
- D308,215 S \* 5/1990 Katsuhara ..... D17/7
- 5,353,675 A \* 10/1994 Kimura et al. .... 84/423 R
- D499,443 S \* 12/2004 Ohno ..... D17/7

- D555,190 S \* 11/2007 Saito et al. .... D17/7
- D557,328 S \* 12/2007 Miyashita et al. .... D17/7

\* cited by examiner

*Primary Examiner*—Stella M. Reid

*Assistant Examiner*—Rashida Johnson

(74) *Attorney, Agent, or Firm*—Sughrue Mion, PLLC

(57) **CLAIM**

The ornamental design for an electronic piano, as shown and described.

**DESCRIPTION**

FIG. 1 is a perspective view of the top, front and left side of an electronic piano showing my new design;

FIG. 2 is a front elevational view thereof;

FIG. 3 is a top plan view thereof;

FIG. 4 is a left side elevational view thereof, the right side elevational view being a mirror image;

FIG. 5 is a rear elevational view thereof;

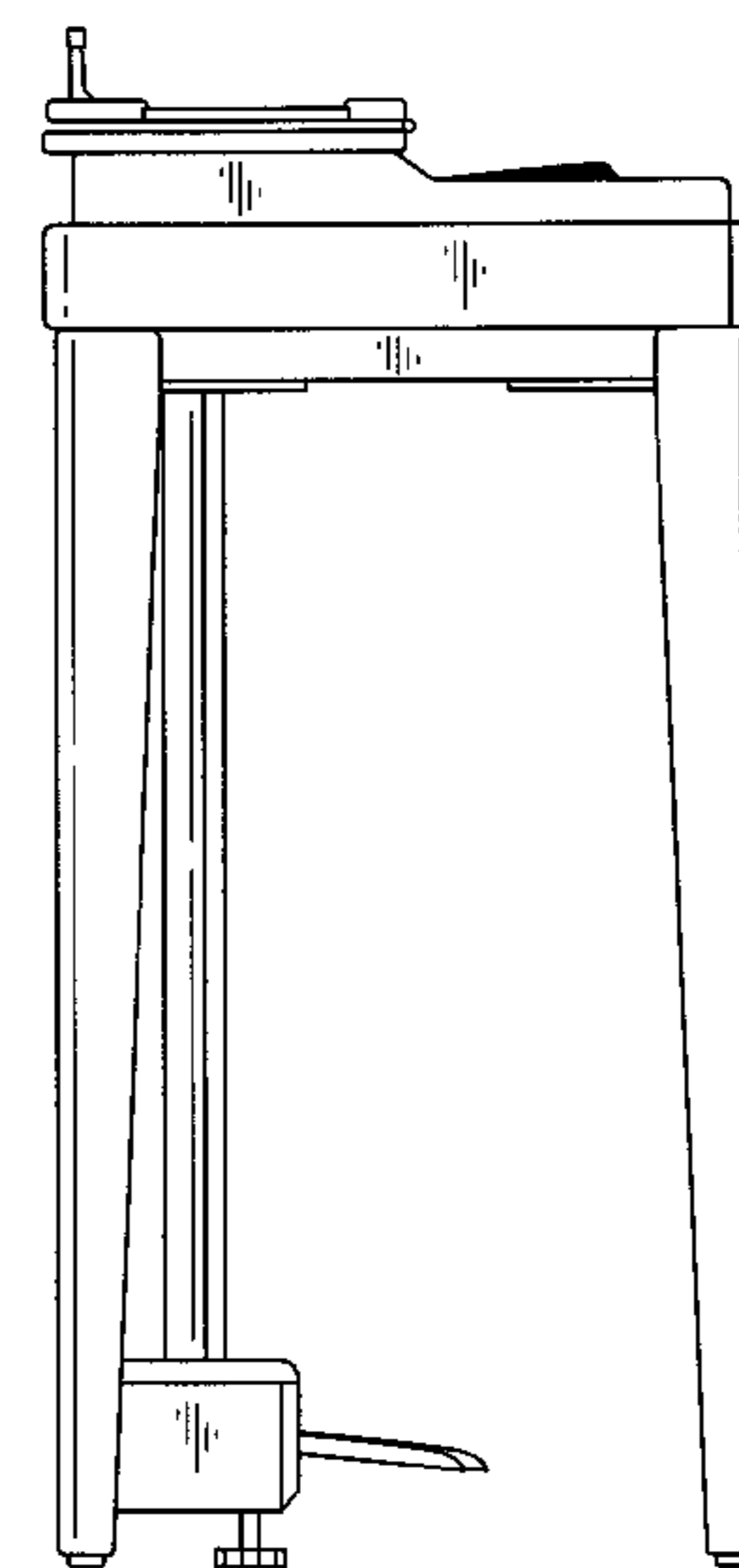
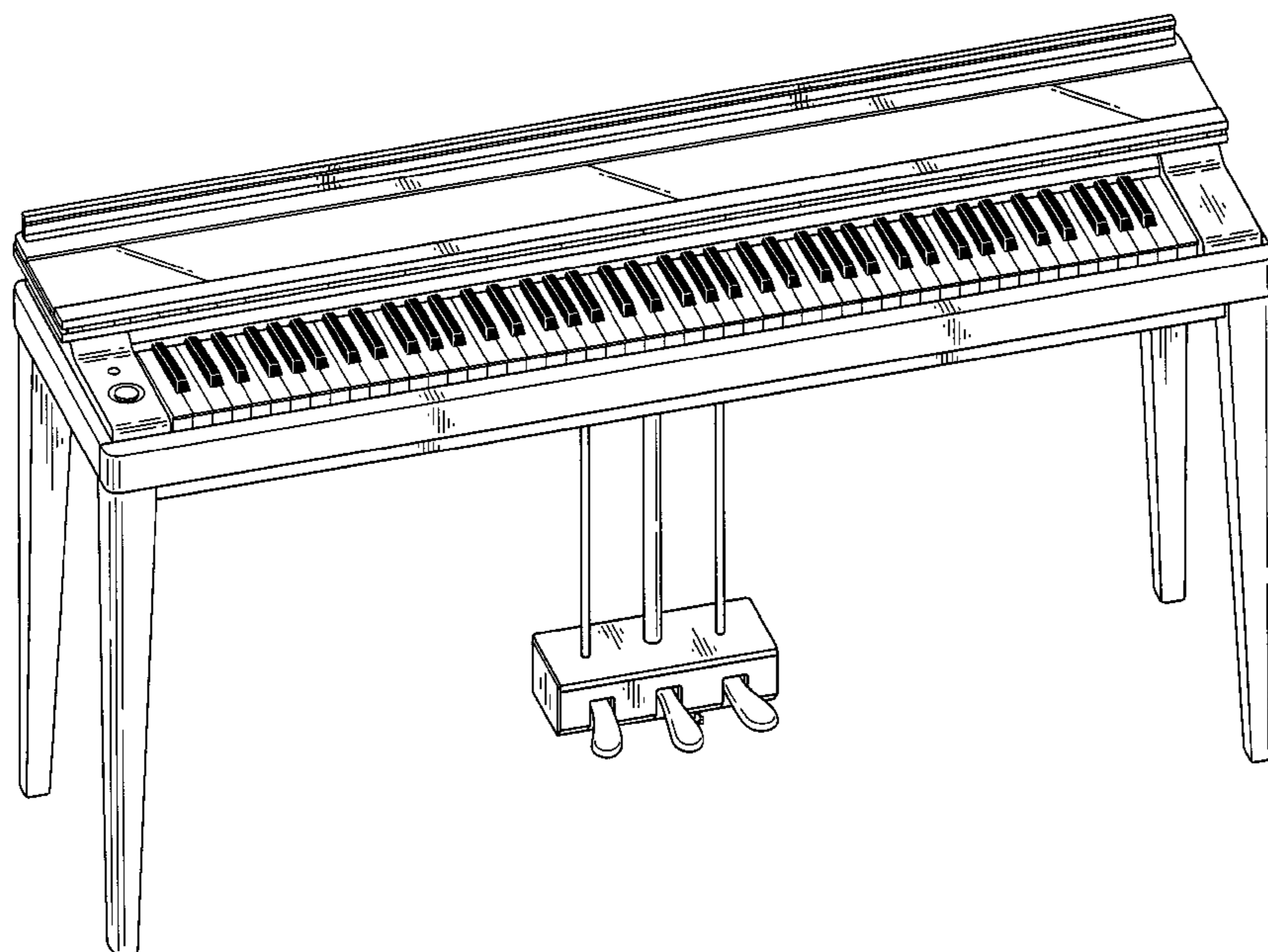
FIG. 6 is a bottom plan view thereof;

FIG. 7 is a front elevational view thereof, with the cover in the closed position;

FIG. 8 is a top plan view thereof with a cover in a closed position; and,

FIG. 9 is a right side elevational view thereof with the cover in the closed position, the left side elevational view being a mirror image.

**1 Claim, 9 Drawing Sheets**



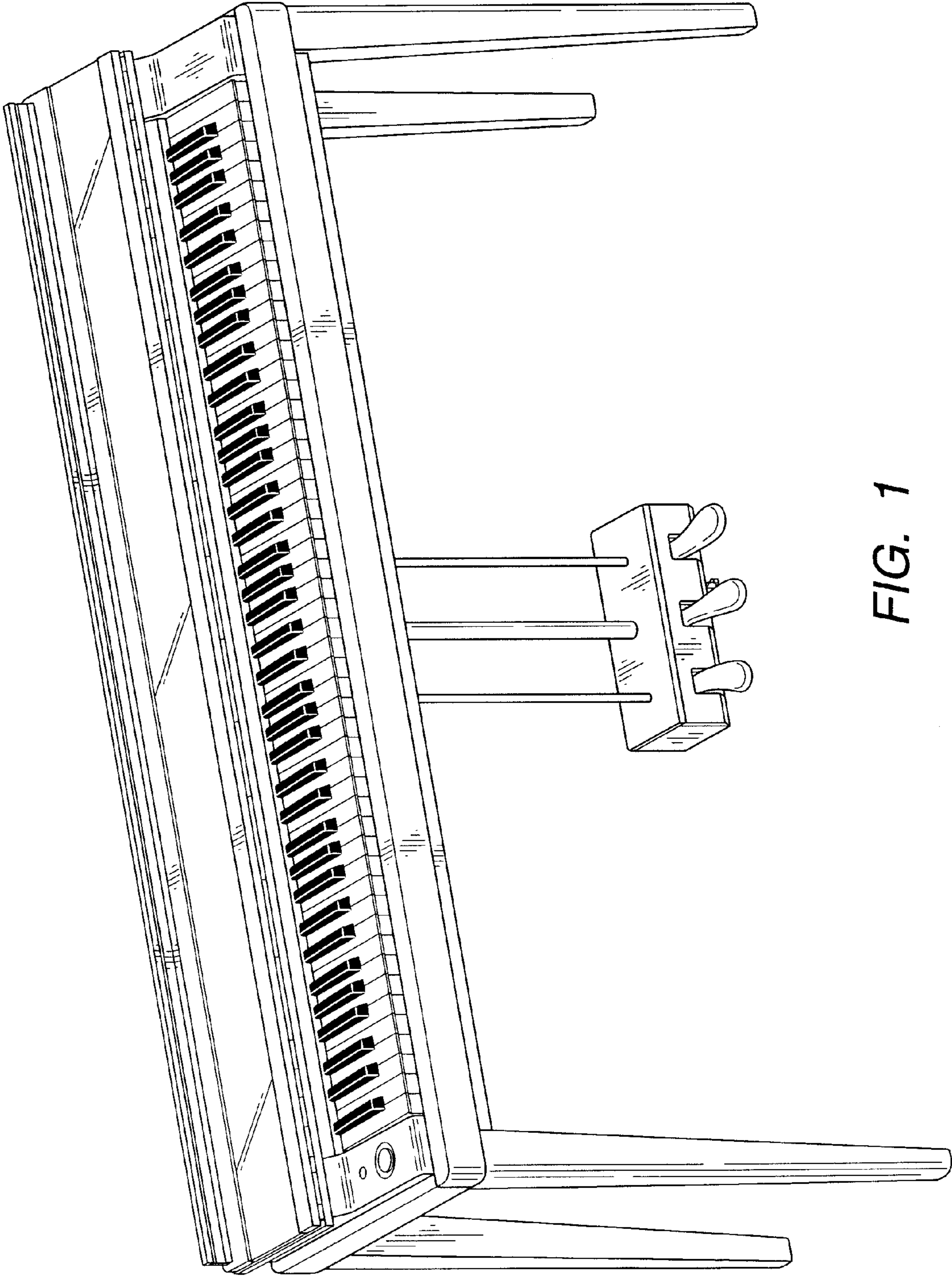


FIG. 1

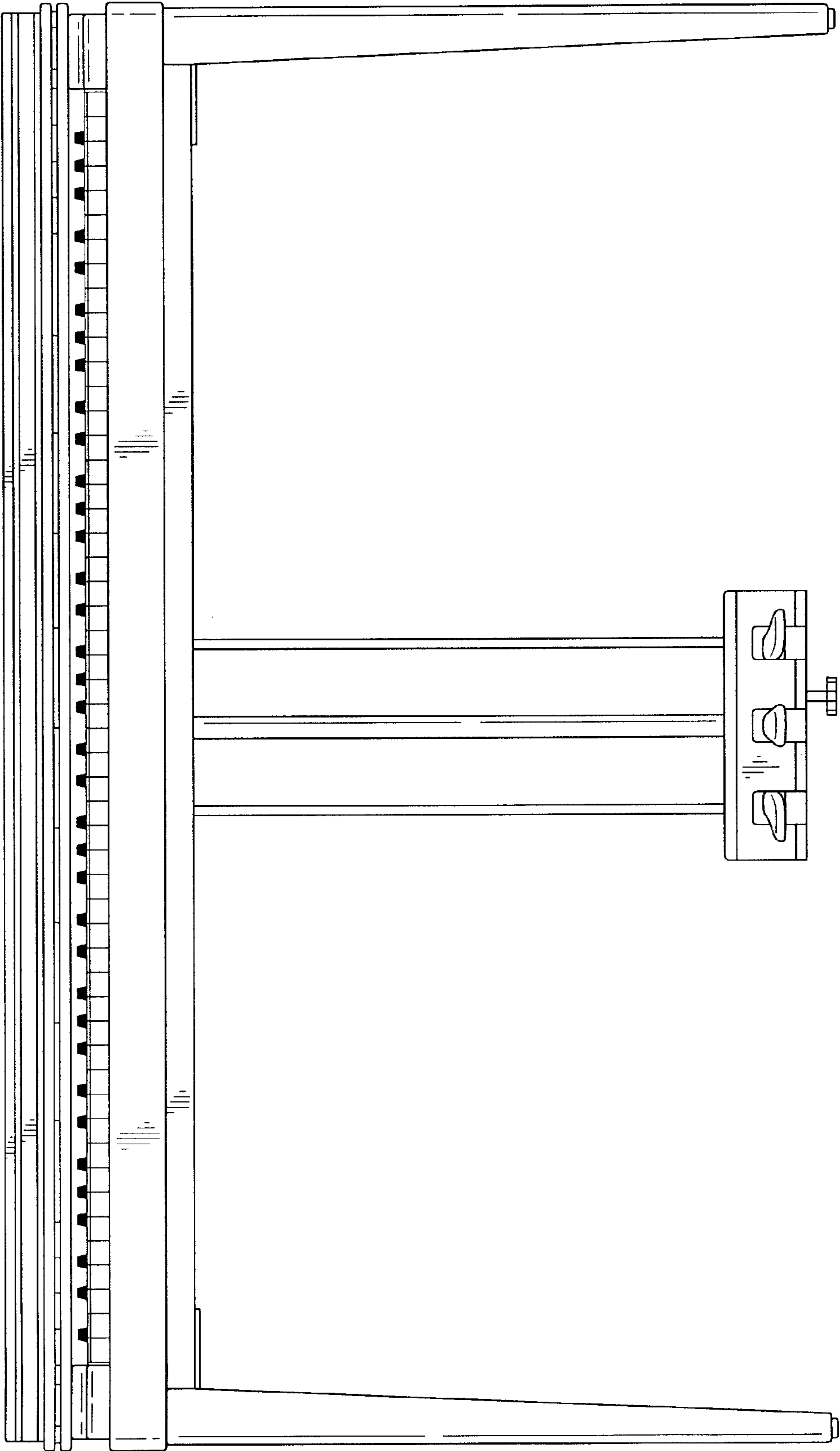


FIG. 2

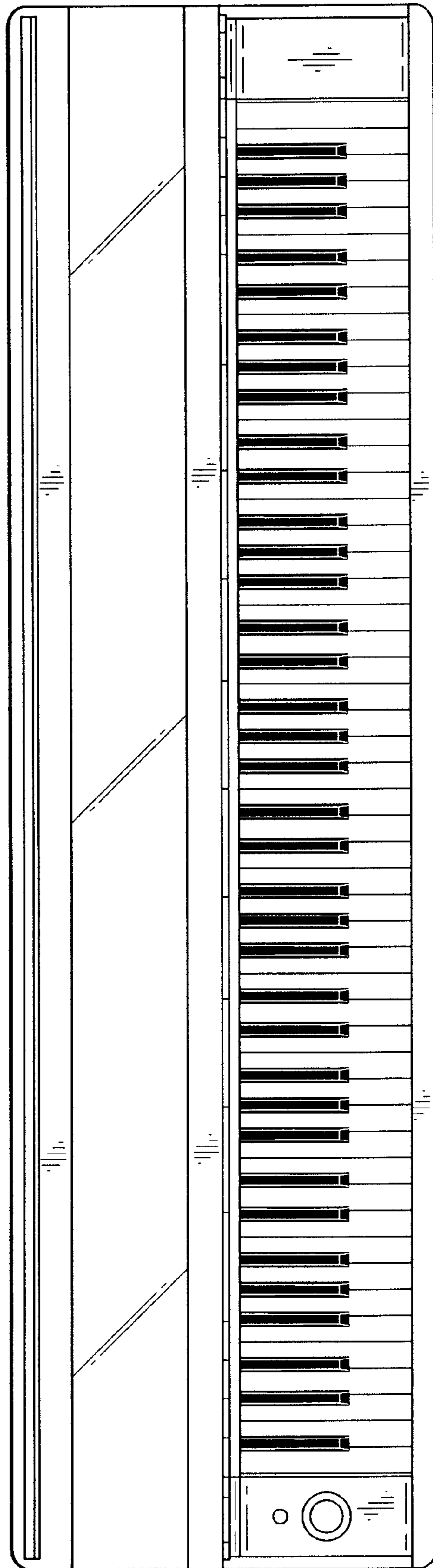
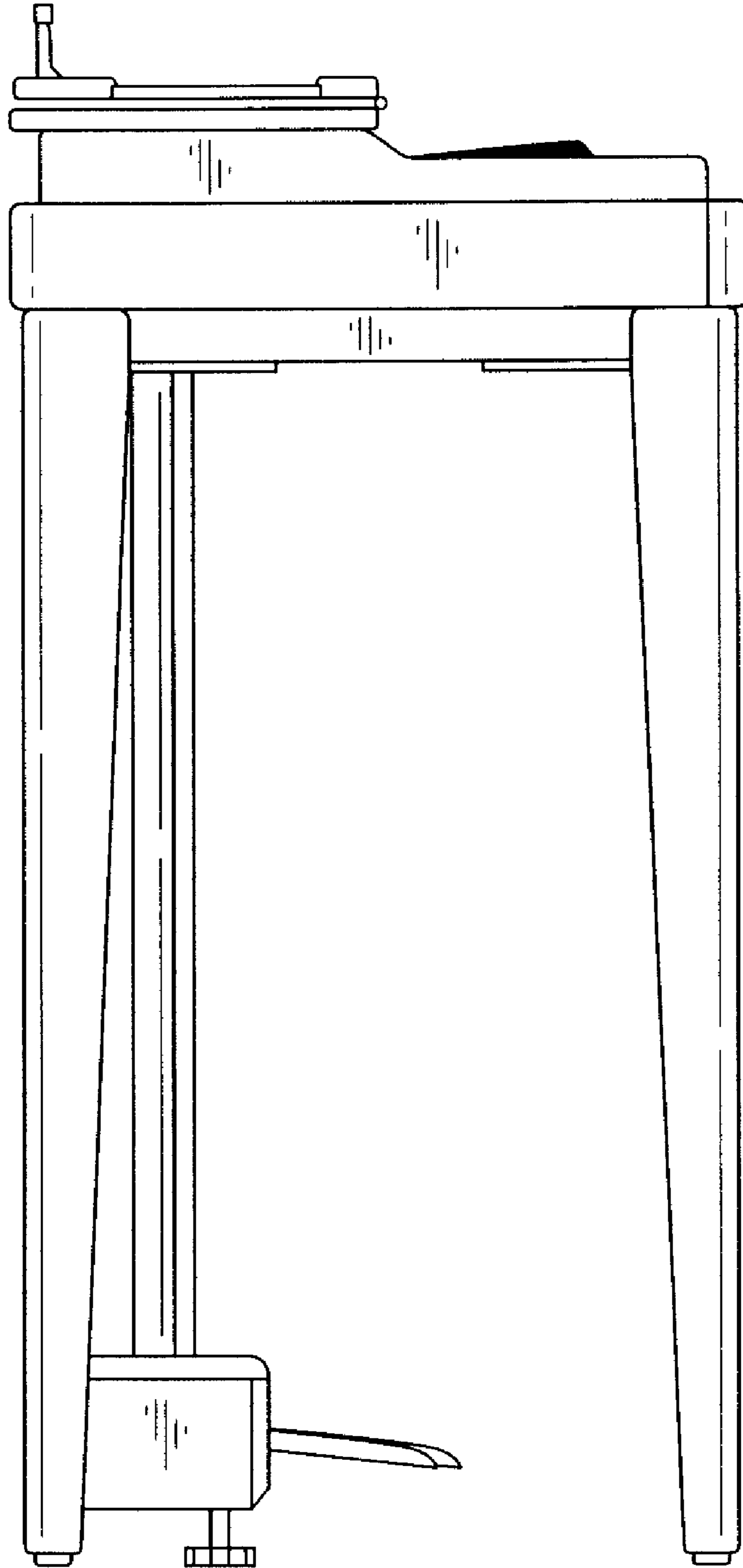


FIG. 3



*FIG. 4*

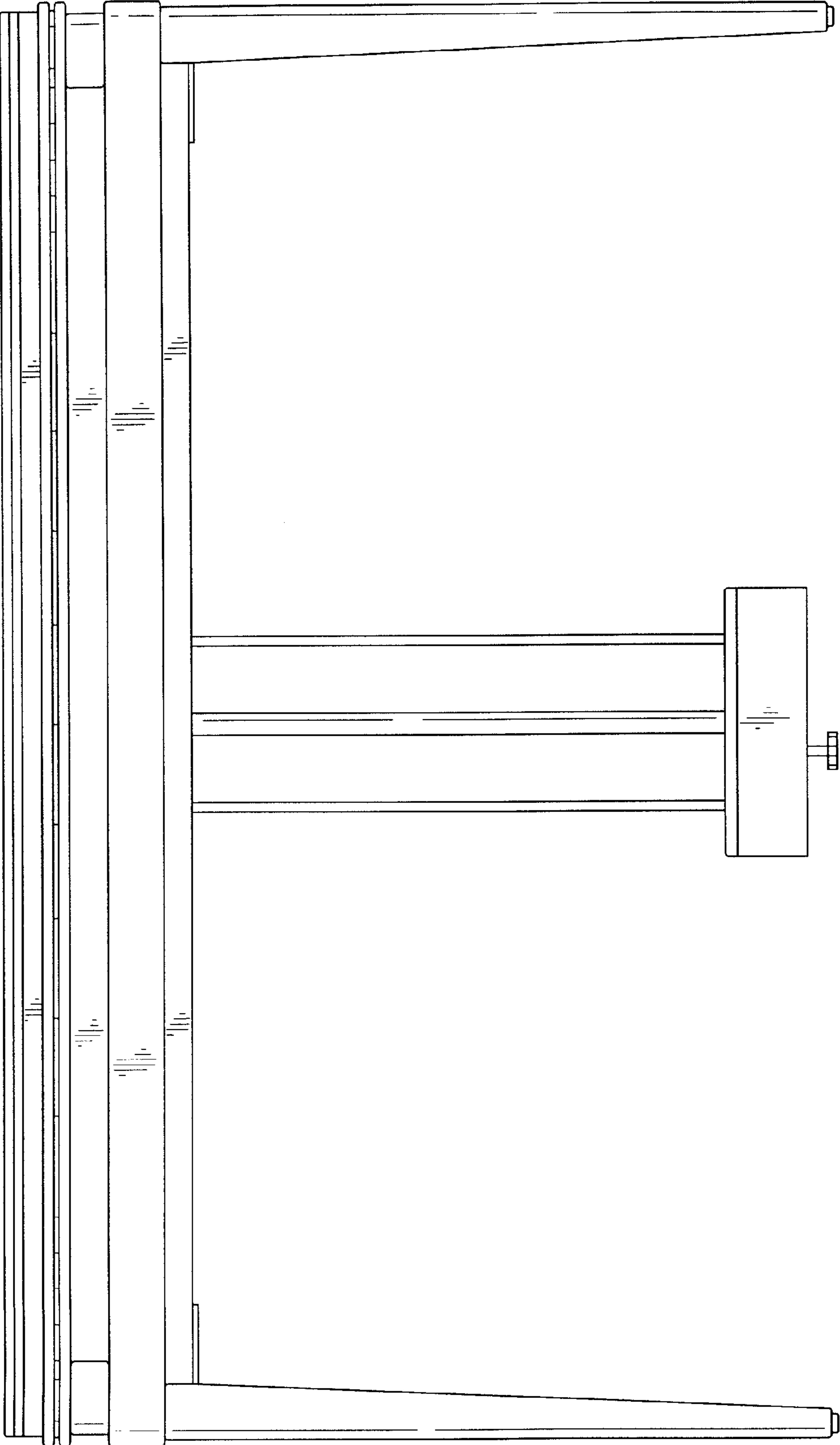


FIG. 5



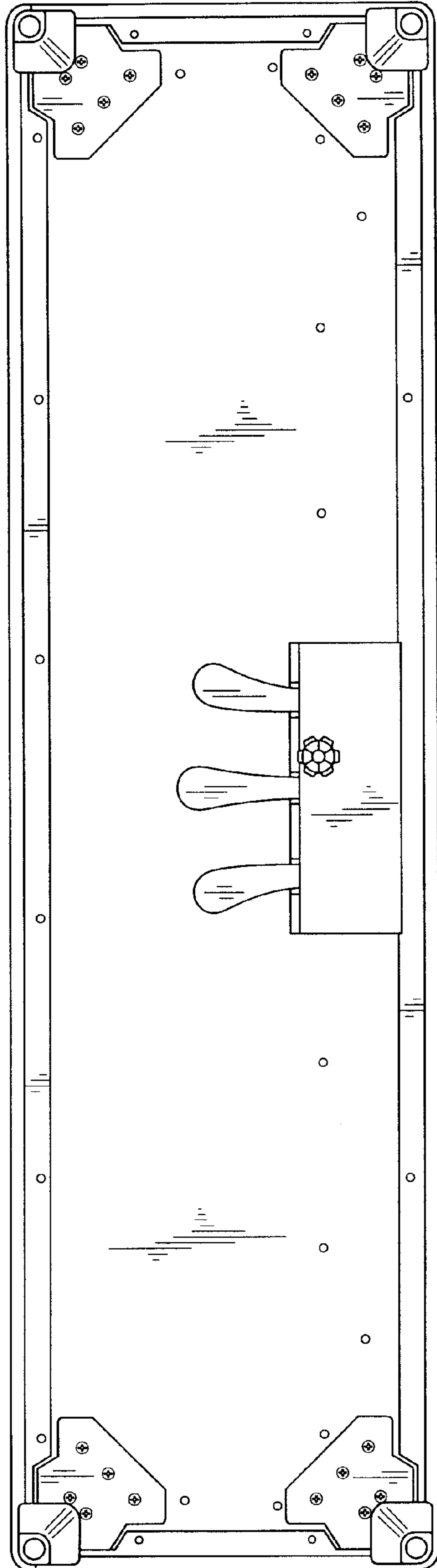


FIG. 6

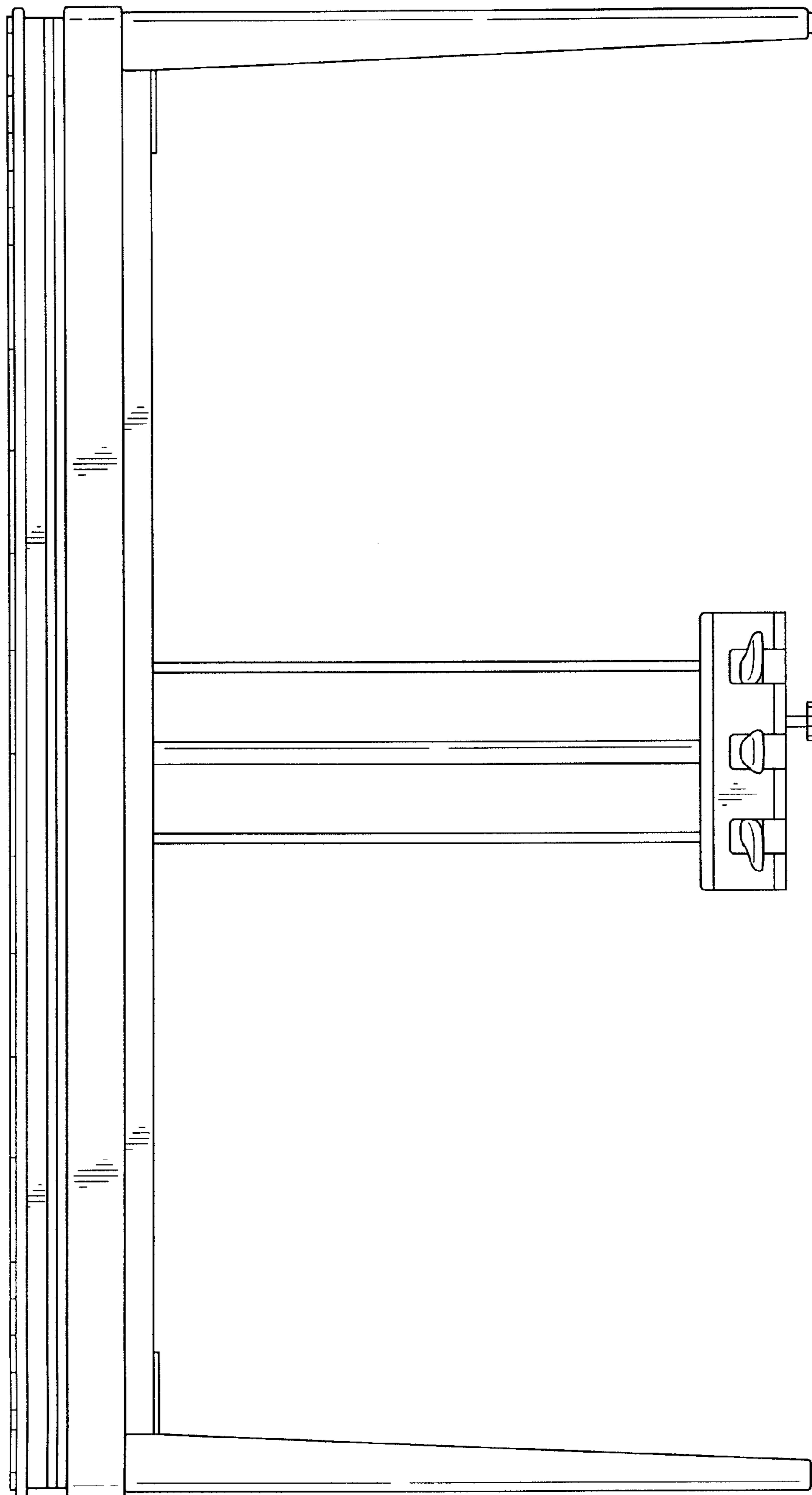


FIG. 7



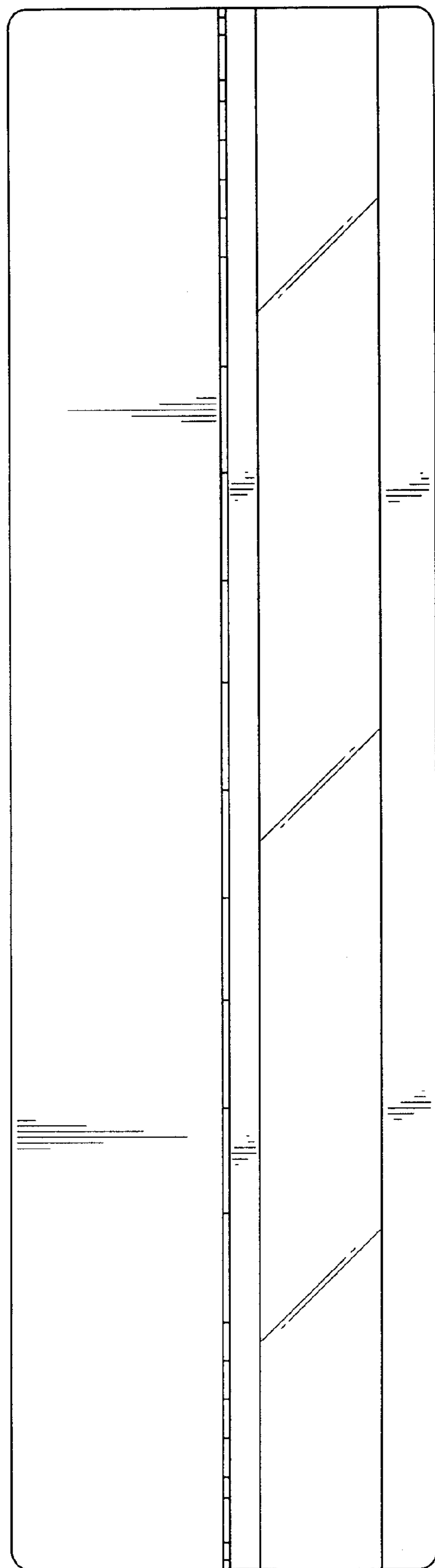
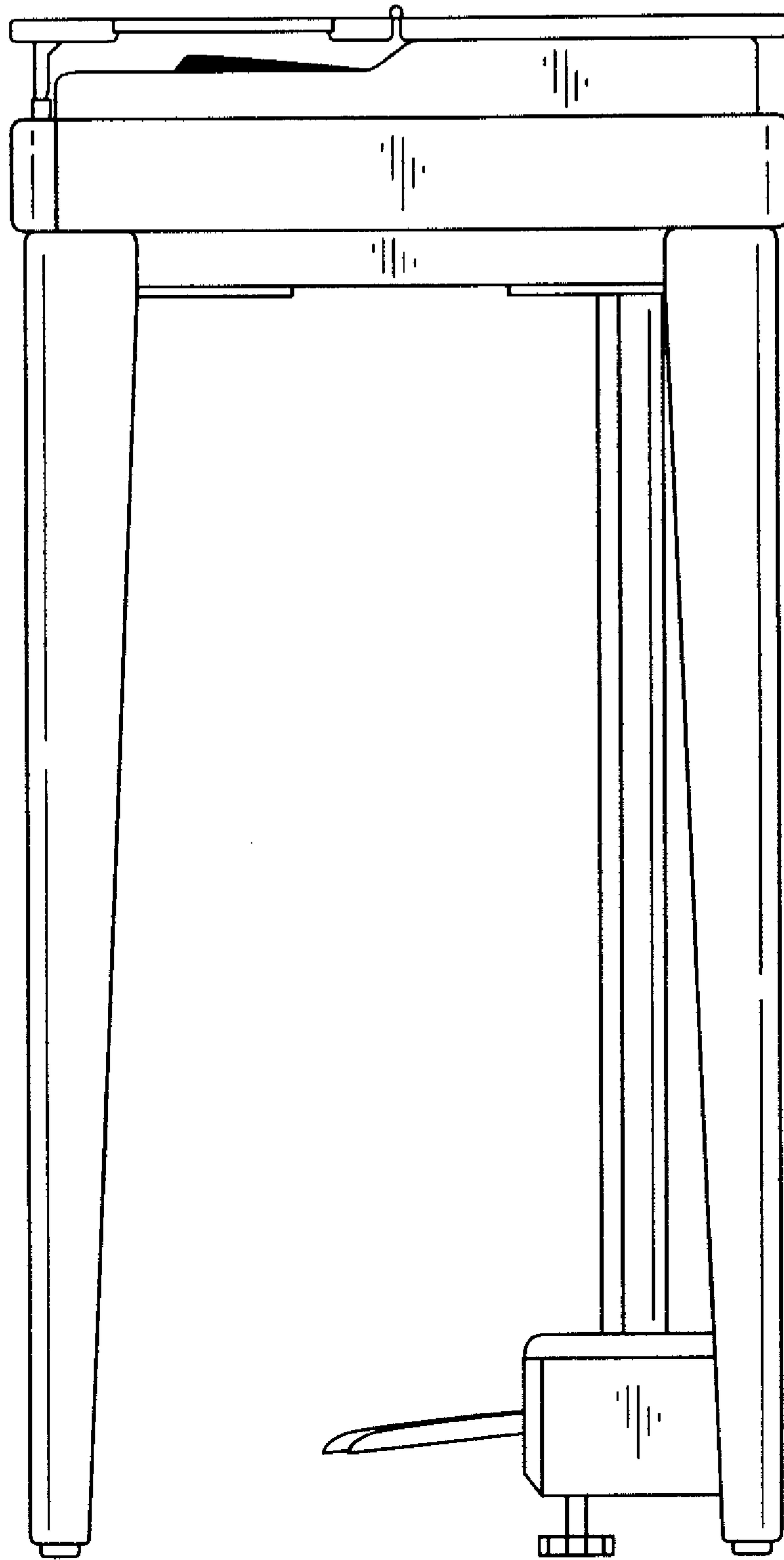


FIG. 8



**FIG. 9**