



US00D574877S

(12) **United States Design Patent**  
**Schoenert et al.**

(10) **Patent No.:** **US D574,877 S**  
(45) **Date of Patent:** **\*\* Aug. 12, 2008**

(54) **PROJECTION DEVICE**

(75) Inventors: **Richard Schoenert**, Sherwood, OR  
(US); **Danny Han**, Happy Valley, OR  
(US); **Phillip Salvatori**, Salem, OR (US)

(73) Assignee: **InFocus Corporation**, Wilsonville, OR  
(US)

(\*\*) Term: **14 Years**

(21) Appl. No.: **29/298,598**

(22) Filed: **Dec. 7, 2007**

(51) **LOC (8) Cl.** ..... **16-02**

(52) **U.S. Cl.** ..... **D16/230**

(58) **Field of Classification Search** ..... D16/205,  
D16/208, 221, 225, 230, 231, 234; D21/514;  
353/115, 119, 122

See application file for complete search history.

(56) **References Cited**

**U.S. PATENT DOCUMENTS**

D433,049 S \* 10/2000 Murakami ..... D16/231  
D439,923 S \* 4/2001 Kawamoto ..... D16/231  
D450,077 S \* 11/2001 Isono ..... D16/230  
6,869,192 B2 \* 3/2005 Hamada ..... 353/119

D515,127 S \* 2/2006 Schoenert et al. .... D16/230  
D517,588 S \* 3/2006 Yamada et al. .... D16/230  
D522,037 S \* 5/2006 Inoue et al. .... D16/230

\* cited by examiner

*Primary Examiner*—Adir Aronovich

(74) *Attorney, Agent, or Firm*—Alleman Hall McCoy Russell  
& Tuttle, LLP

(57) **CLAIM**

The ornamental design for a projection device, as shown.

**DESCRIPTION**

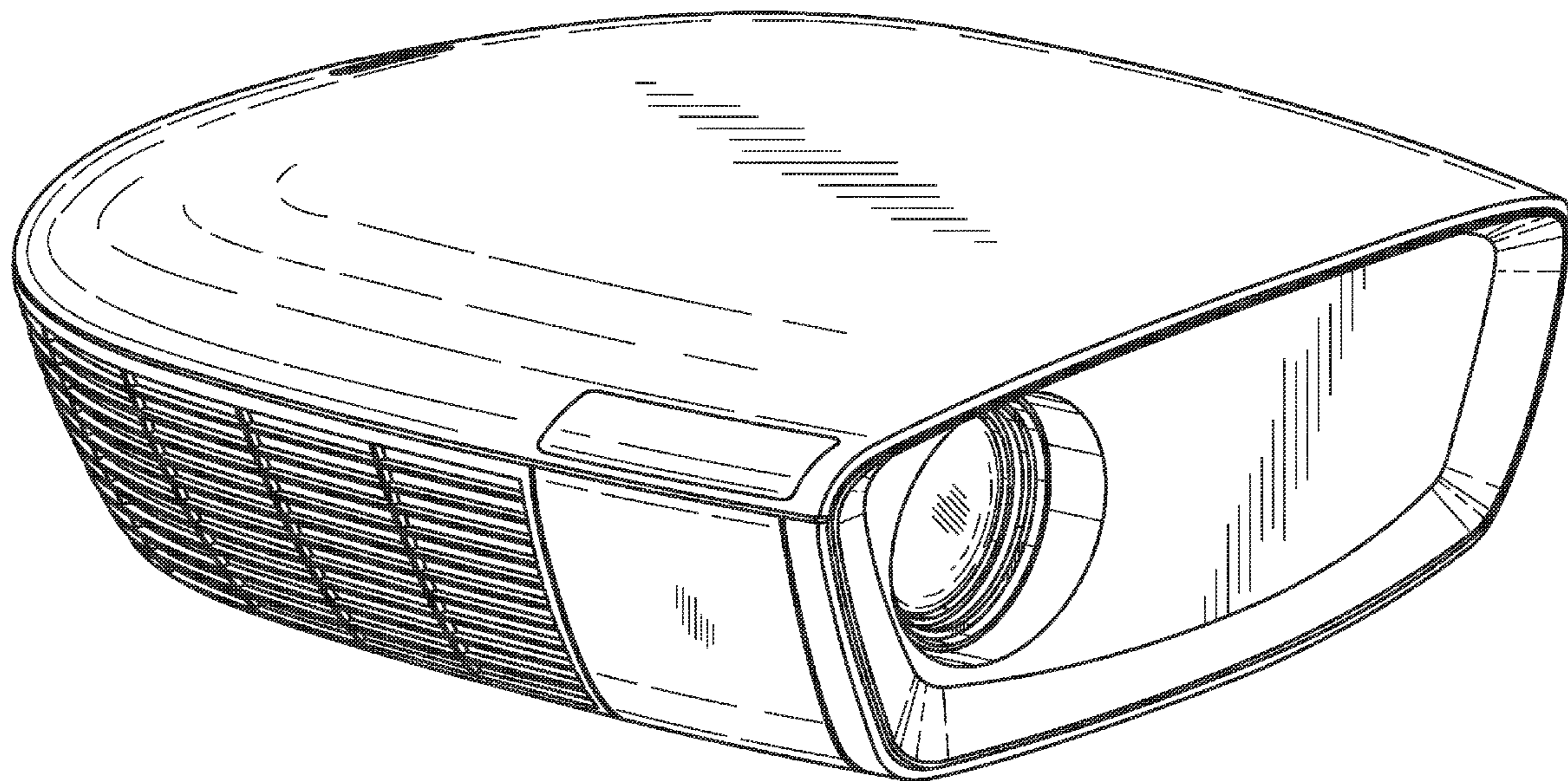
FIG. 1 is a top and front perspective view of a projection device showing our new design;

FIG. 2 is a top and rear perspective view of the projection device of FIG. 1; and,

FIG. 3 is a bottom plan view of the projection device of FIG. 1.

The broken lines shown in the drawings are for illustrative purposes only and form no part of the claimed design. The shading lines shown in the drawings represent the approximate three-dimensional contour of the design, and are not intended to indicate surface decoration.

**1 Claim, 3 Drawing Sheets**



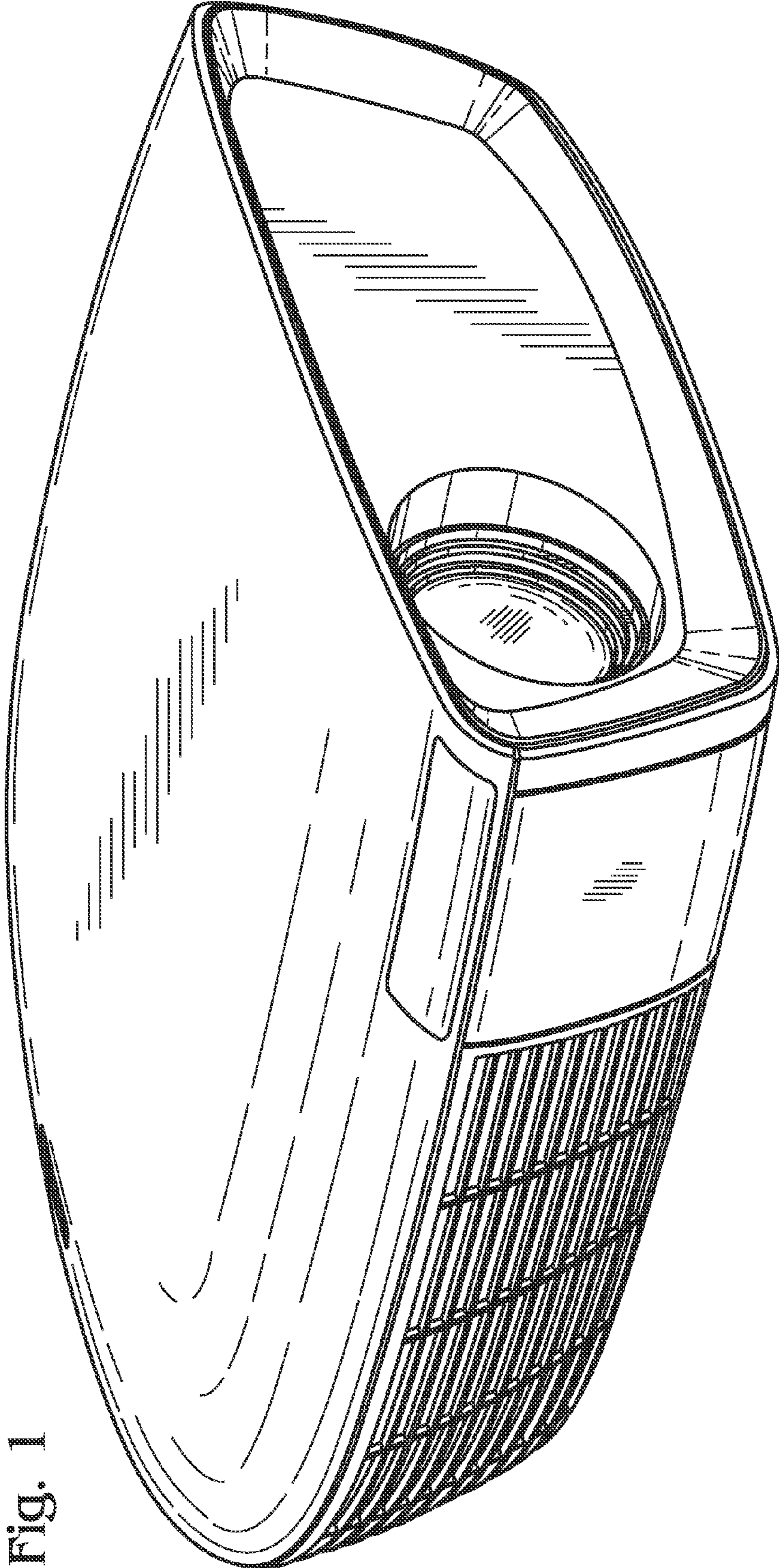


Fig. 1

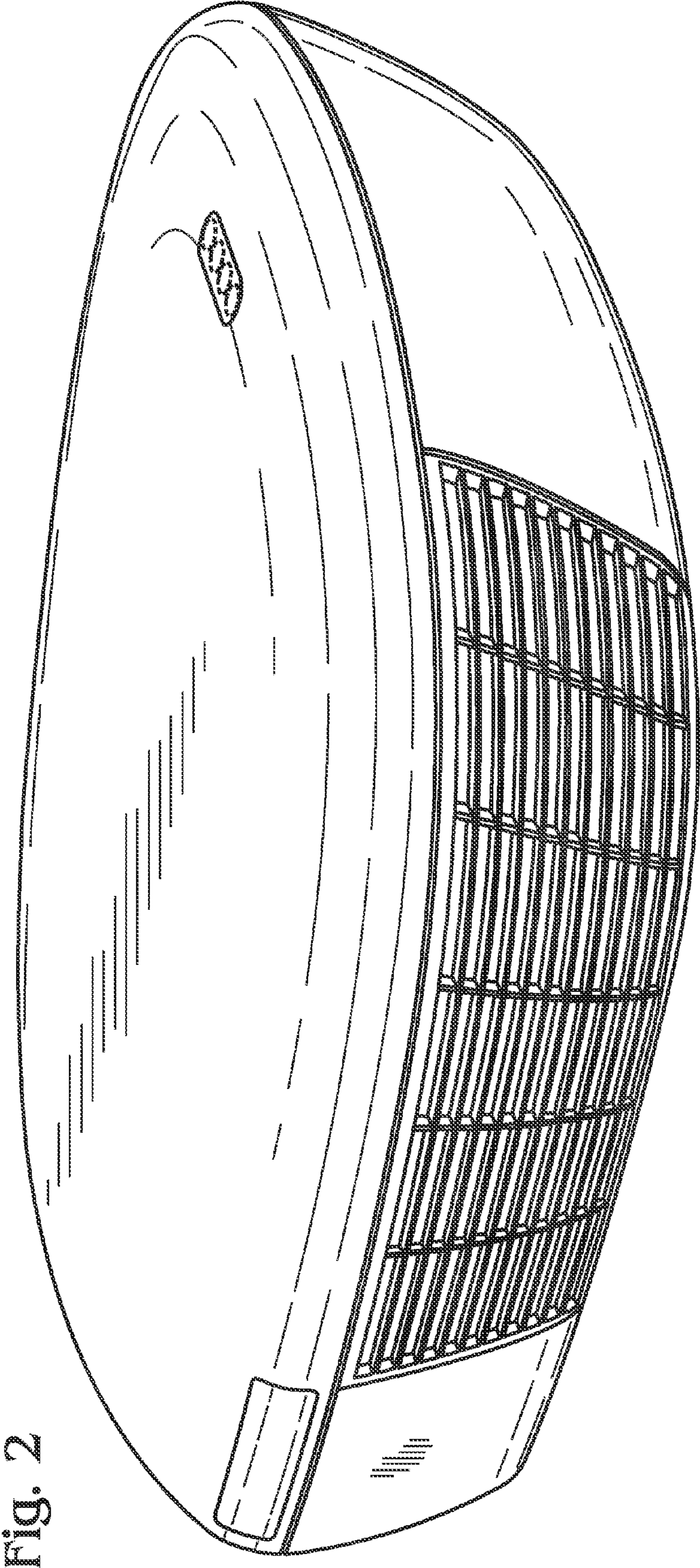


FIG. 2

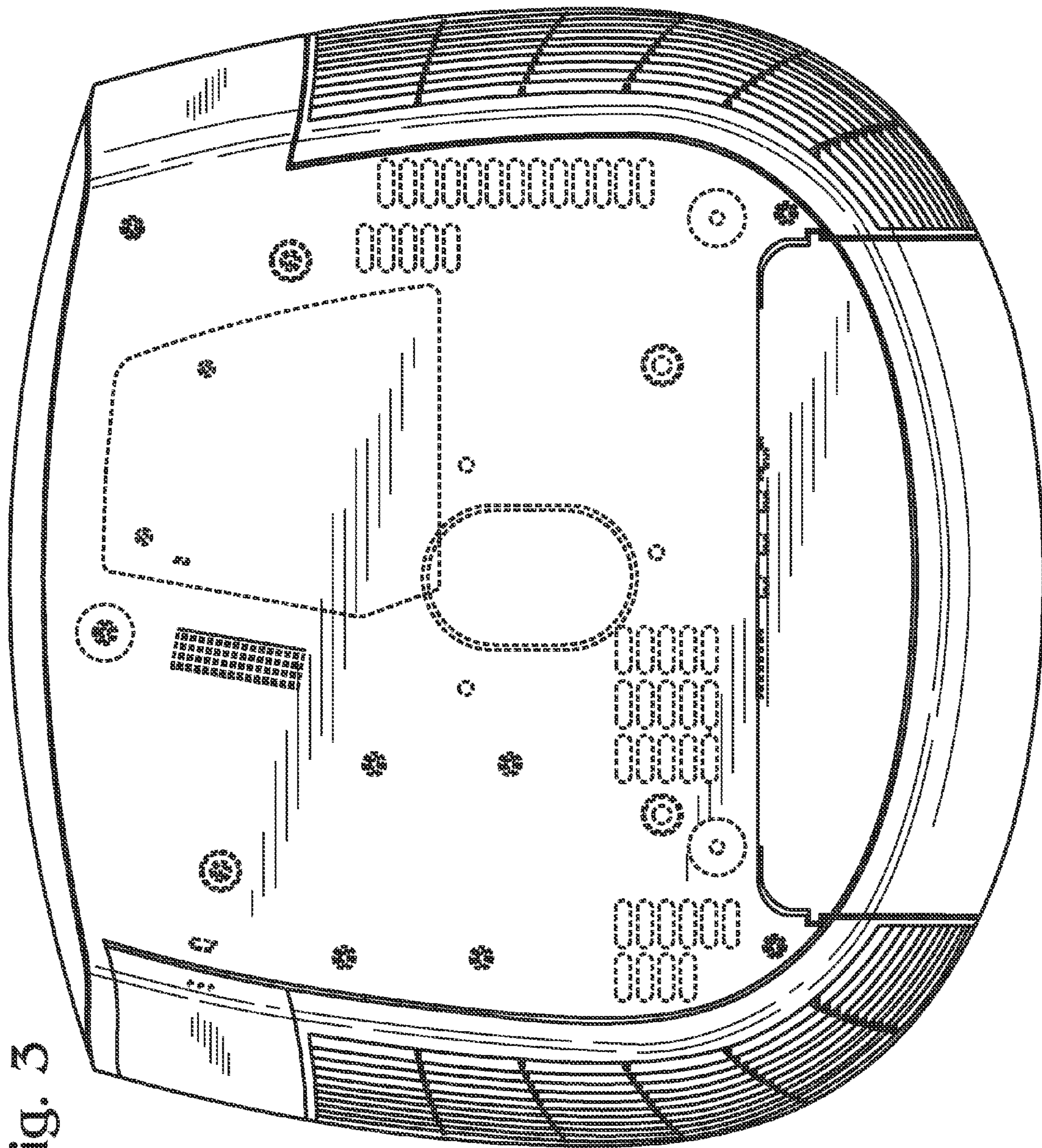


Fig. 3