



US00D574876S

(12) **United States Design Patent**  
**Yano**

(10) **Patent No.:** **US D574,876 S**

(45) **Date of Patent:** **\*\* Aug. 12, 2008**

(54) **PROJECTOR**

D523,058 S \* 6/2006 On et al. .... D16/230  
D545,864 S \* 7/2007 Naruki ..... D16/230  
D552,657 S 10/2007 Oota

(75) Inventor: **Ken Yano**, Tokyo (JP)

(73) Assignee: **Sony Corporation**, Tokyo (JP)

\* cited by examiner

(\*\*) Term: **14 Years**

*Primary Examiner*—Adir Aronovich  
(74) *Attorney, Agent, or Firm*—Rader, Fishman & Grauer, PLLC

(21) Appl. No.: **29/290,332**

(22) Filed: **Nov. 21, 2007**

(57) **CLAIM**

(51) **LOC (8) Cl.** ..... **16-02**

The ornamental design for a projector, as shown.

(52) **U.S. Cl.** ..... **D16/230**

(58) **Field of Classification Search** ..... D16/205,  
D16/208, 213, 221, 225, 230, 231, 234; D21/514;  
353/115, 119, 122

**DESCRIPTION**

See application file for complete search history.

FIG. 1 is a perspective view of a projector showing my new design;

FIG. 2 is a front elevational view thereof;

FIG. 3 is a rear elevational view thereof;

FIG. 4 is a left side elevational view thereof;

FIG. 5 is a right side elevational view thereof;

FIG. 6 is a top plan view thereof; and,

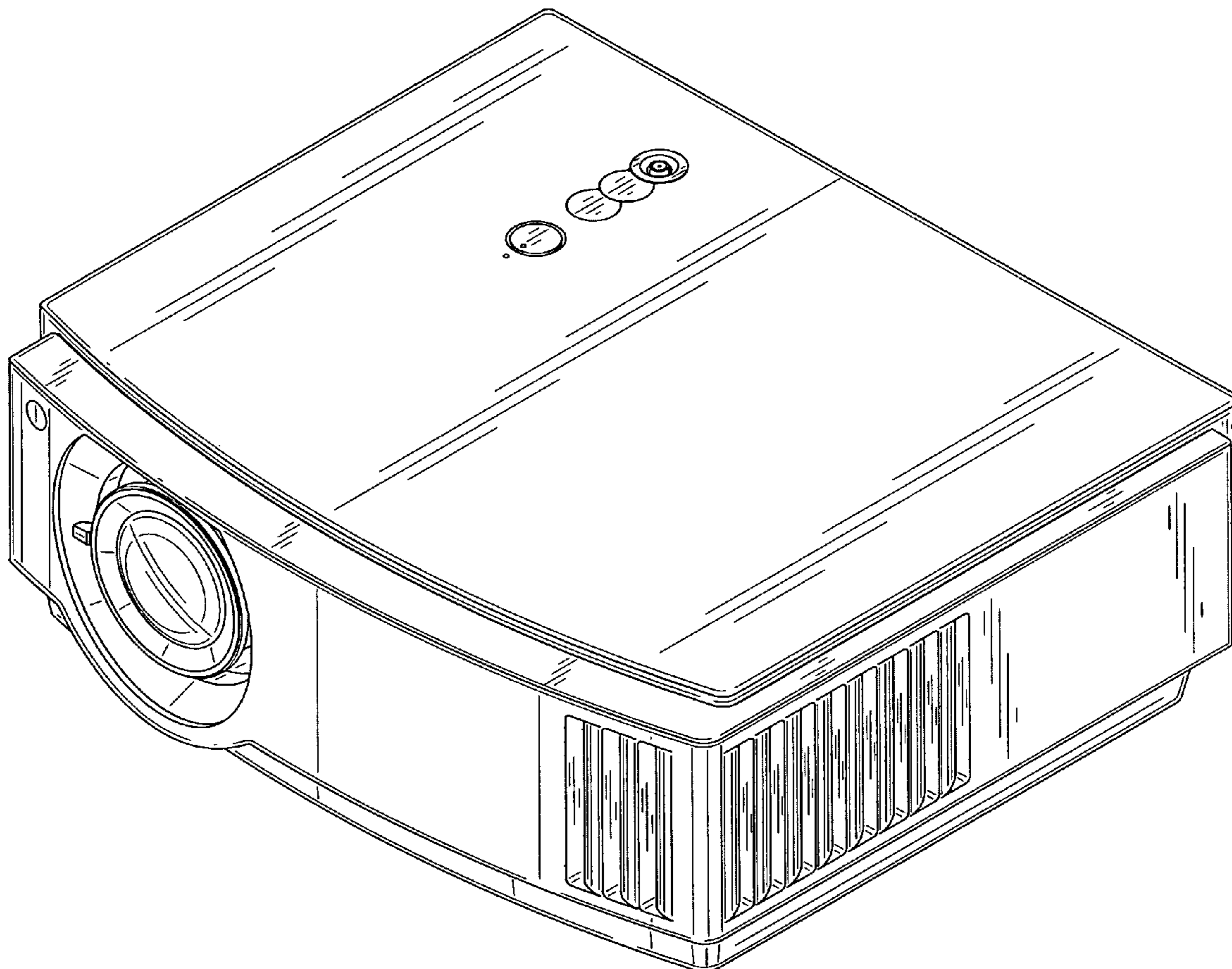
FIG. 7 is a bottom plan view thereof.

(56) **References Cited**

**U.S. PATENT DOCUMENTS**

D439,923 S \* 4/2001 Kawamoto ..... D16/231  
D449,331 S \* 10/2001 Kawahara et al. .... D16/230  
D460,777 S 7/2002 Oka  
6,568,813 B1 \* 5/2003 Haba et al. .... 353/119  
D492,339 S 6/2004 Niitsu  
D513,515 S \* 1/2006 Ooshima et al. .... D16/230

**1 Claim, 7 Drawing Sheets**



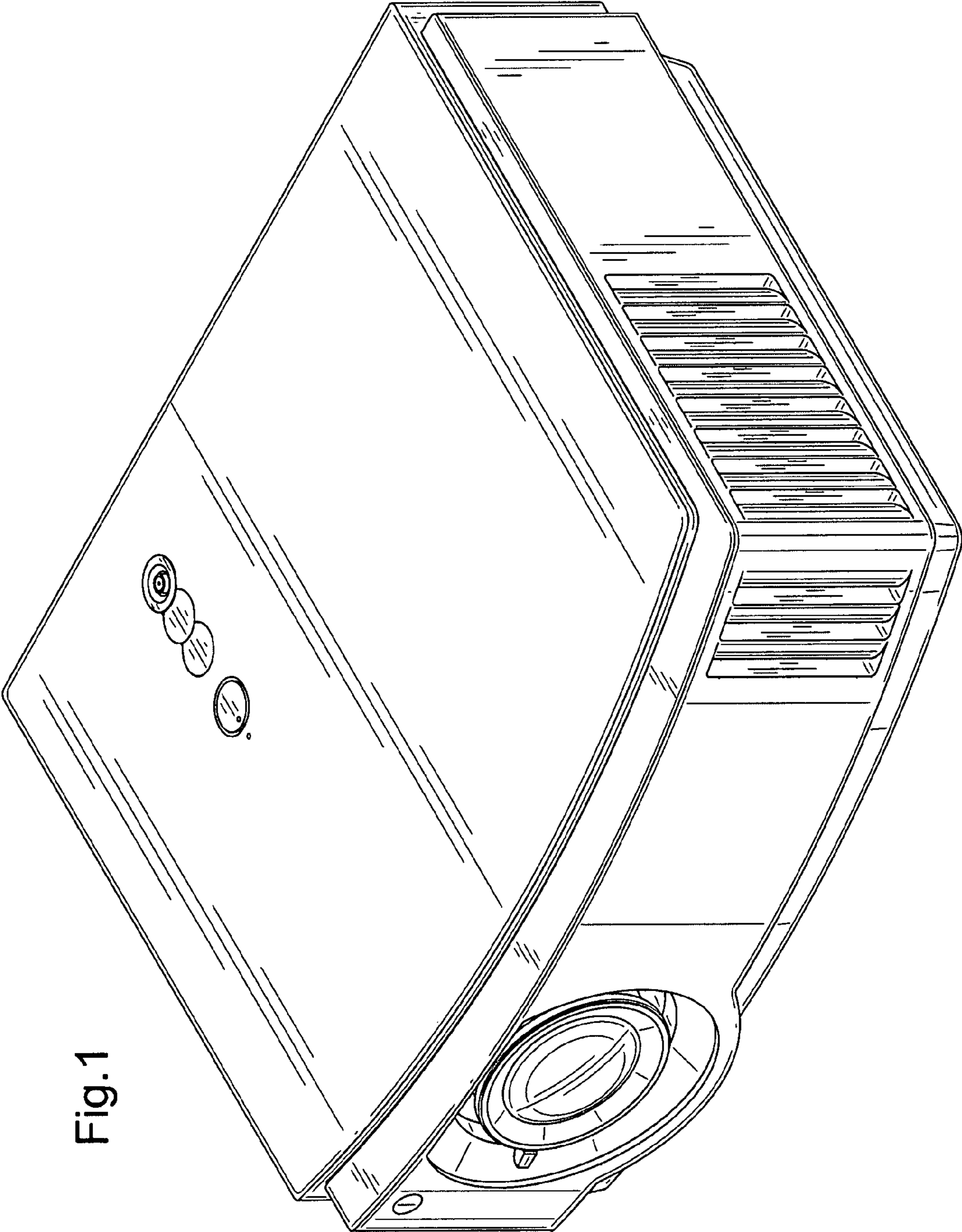


Fig.1

Fig.2

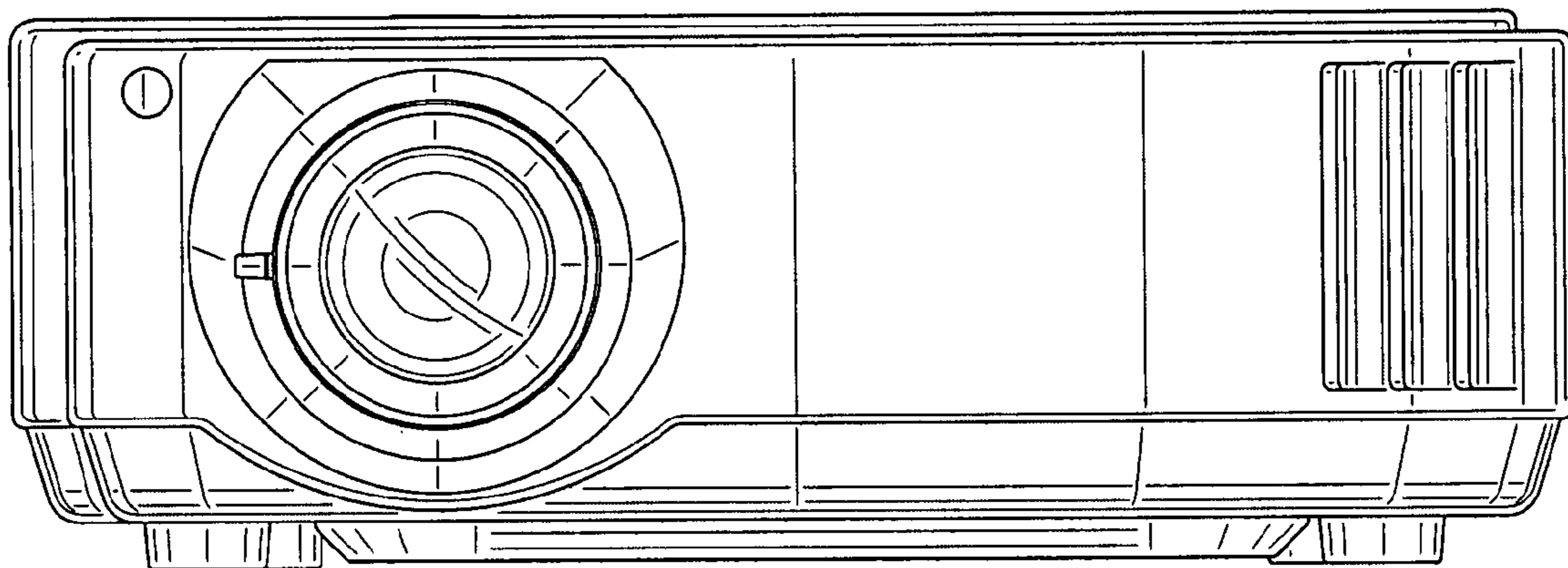


Fig.3

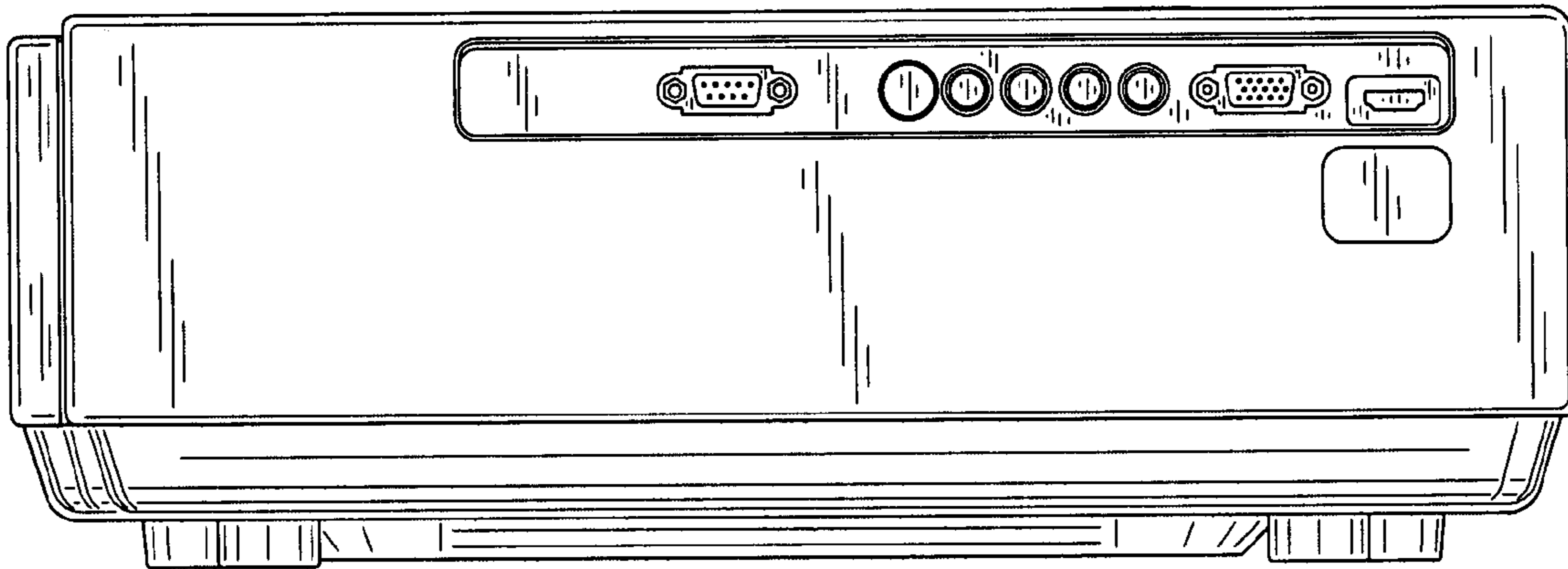


Fig.4

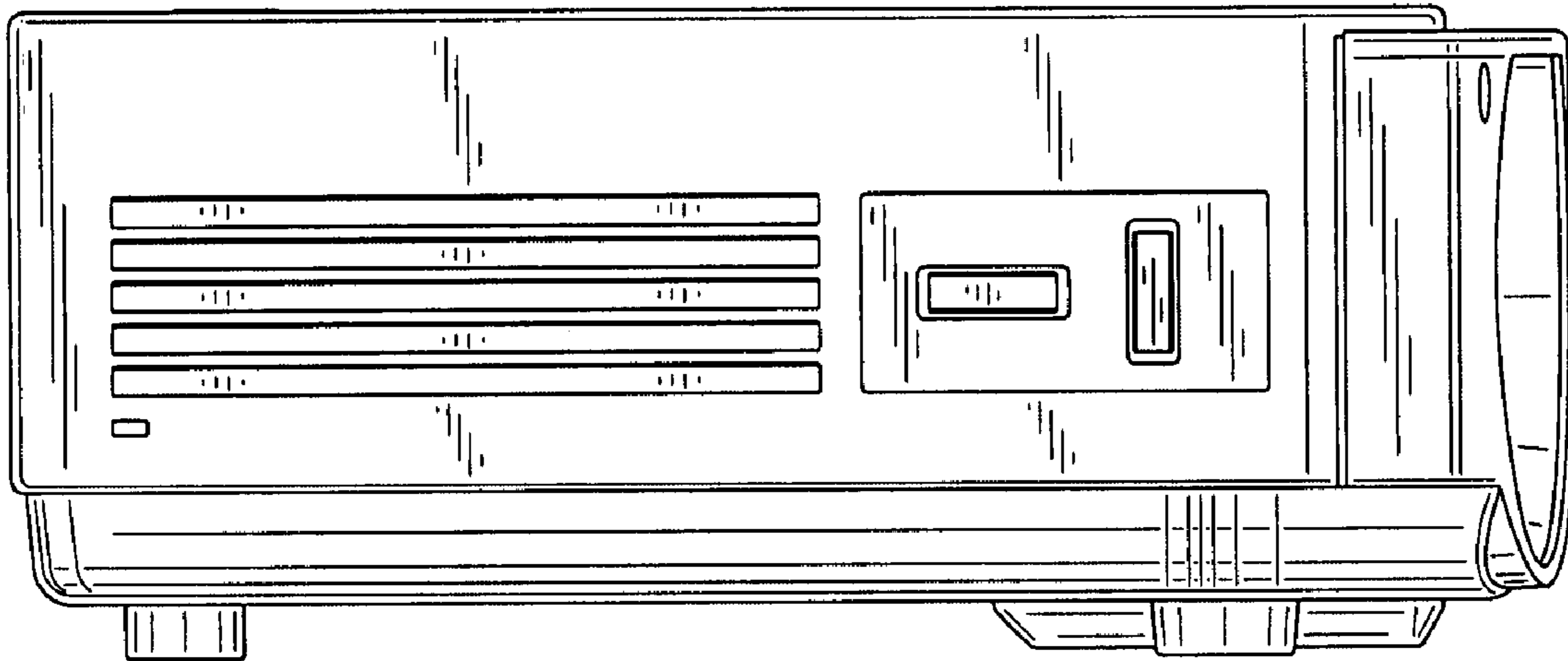


Fig.5

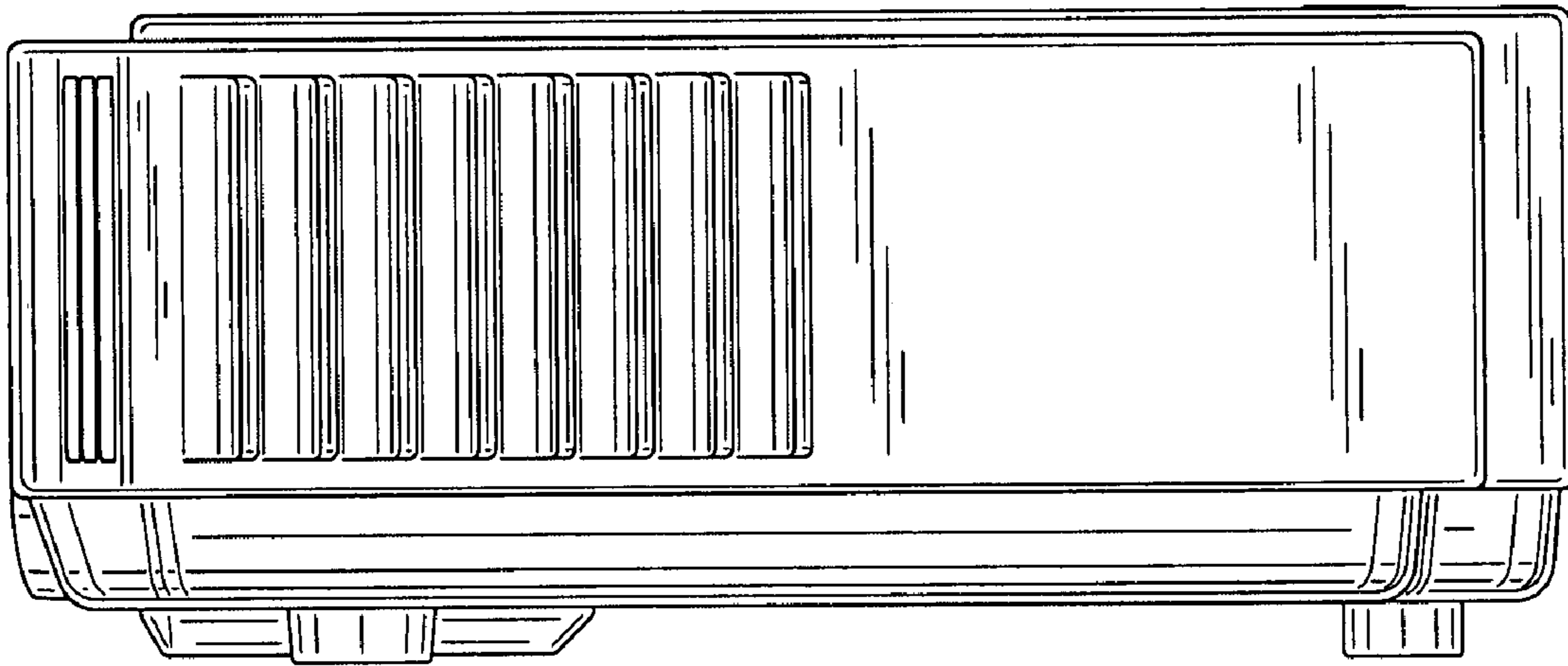


Fig.6

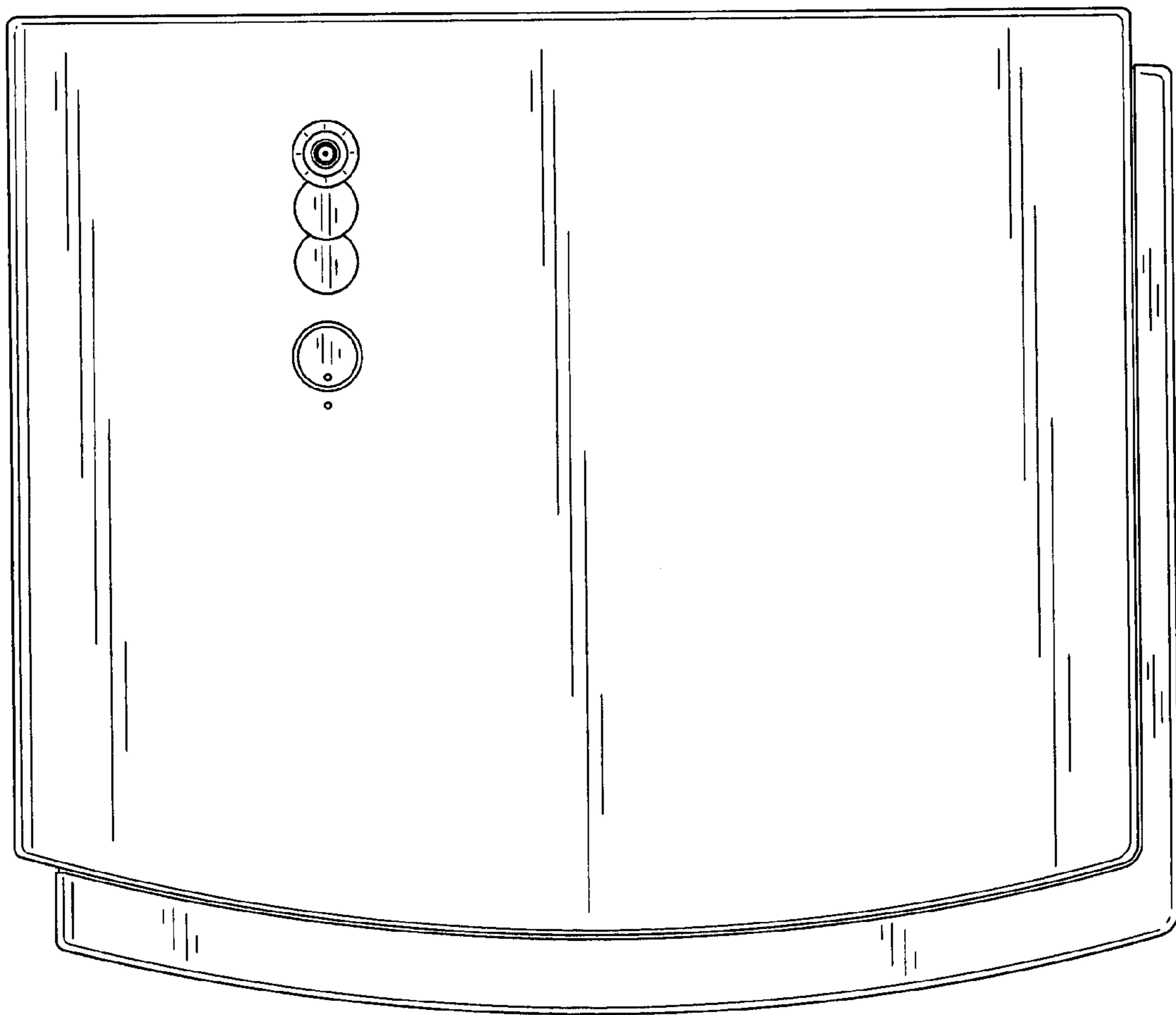


Fig.7

