



US00D574873S

(12) **United States Design Patent**
Hisatsune

(10) **Patent No.:** **US D574,873 S**
(45) **Date of Patent:** **** Aug. 12, 2008**

(54) **PROJECTOR**

(75) Inventor: **Toshiyuki Hisatsune**, Tokyo (JP)

(73) Assignee: **Sony Corporation**, Tokyo (JP)

(**) Term: **14 Years**

(21) Appl. No.: **29/287,573**

(22) Filed: **Aug. 24, 2007**

(30) **Foreign Application Priority Data**

May 24, 2007 (JP) D2007-013748

(51) **LOC (8) Cl.** **16-02**

(52) **U.S. Cl.** **D16/225; D16/221**

(58) **Field of Classification Search** D16/200,
D16/201, 204, 208, 213, 218, 221, 225, 230;
D21/514; 353/115, 119, 122; 40/361-367
See application file for complete search history.

(56) **References Cited**

U.S. PATENT DOCUMENTS

D186,916 S *	12/1959	Close	D16/225
D375,970 S *	11/1996	Harata	D16/221
D442,616 S *	5/2001	Ohmori et al.	D16/204
D448,787 S *	10/2001	Shiotani	D16/218
D458,951 S *	6/2002	Sato	D16/218
D468,335 S	1/2003	Goto et al.		
D507,588 S *	7/2005	Cummings et al.	D16/204
7,018,053 B2 *	3/2006	Dwyer et al.	353/119

FOREIGN PATENT DOCUMENTS

JP D1202250 S 4/2004

JP	D1201299 S	4/2005
JP	D1253906 S	10/2005
JP	D1201492 S	3/2006
JP	D1215143 S	7/2006

OTHER PUBLICATIONS

Document "Television Projector, C200310256" http://203.112.31.46/search/show_detail.asp, 2 sheets, Toshiba Corp. (Oct. 2003).
Chinese publicized document "200530094481.9" www.sipo.gov/ch, 2 sheets, State Intellectual Property Office of PRC (Apr. 2007).
Document "Table Projector, D200700048" http://203.112.31.46/search/show_detail.asp, 2 sheets, Sony (May 2007).

* cited by examiner

Primary Examiner—Adir Aronovich
(74) *Attorney, Agent, or Firm*—Rader Fishman & Grauer, PLLC

(57) **CLAIM**

The ornamental design for a projector, as shown.

DESCRIPTION

FIG. 1 is a perspective view of a projector showing my new design;

FIG. 2 is a front elevational view thereof;

FIG. 3 is a rear elevational view thereof;

FIG. 4 is a left side elevational view thereof;

FIG. 5 is a right side elevational view thereof;

FIG. 6 is a top plan view thereof; and,

FIG. 7 is a bottom plan view thereof.

1 Claim, 7 Drawing Sheets

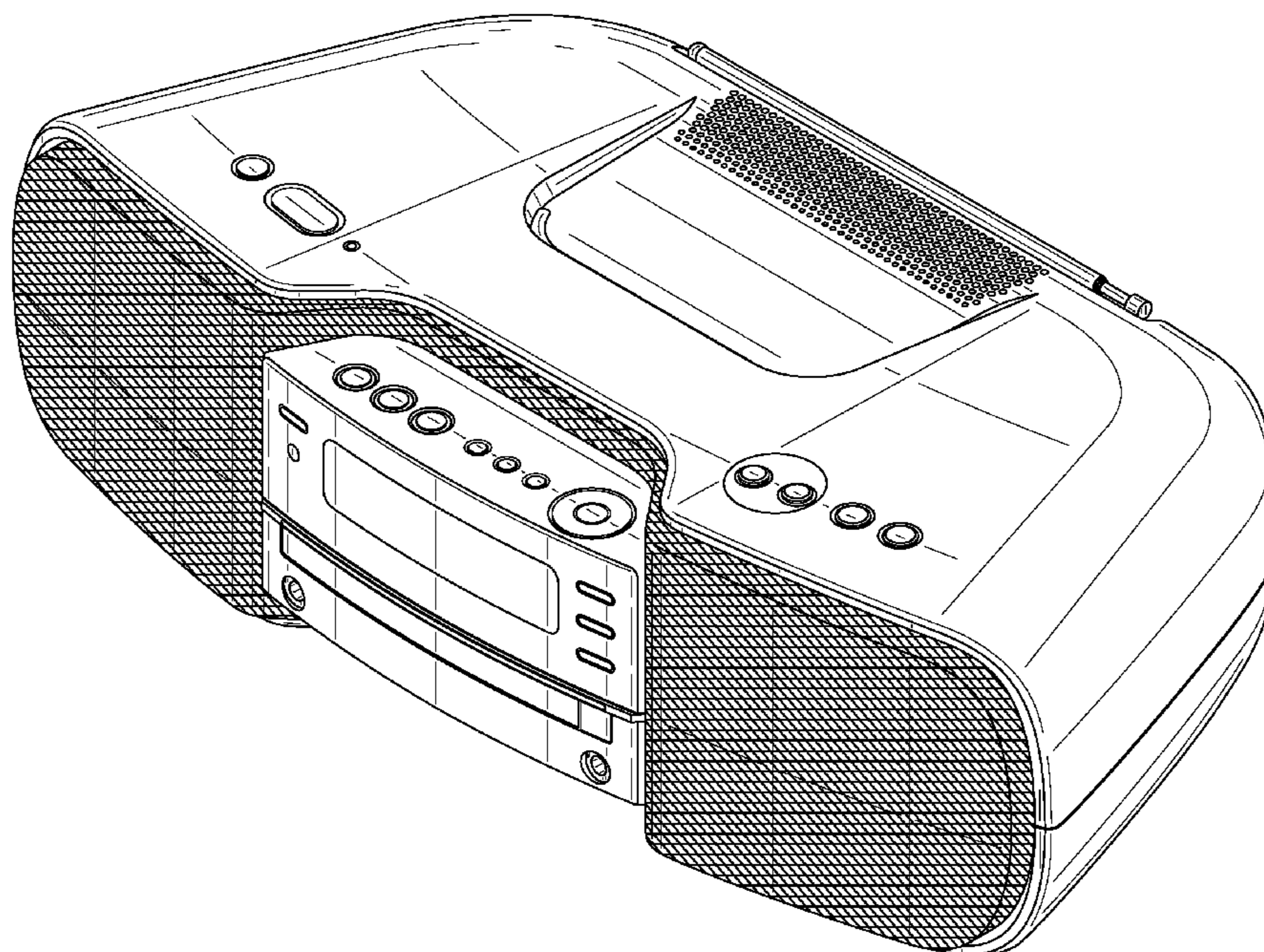


Fig.1

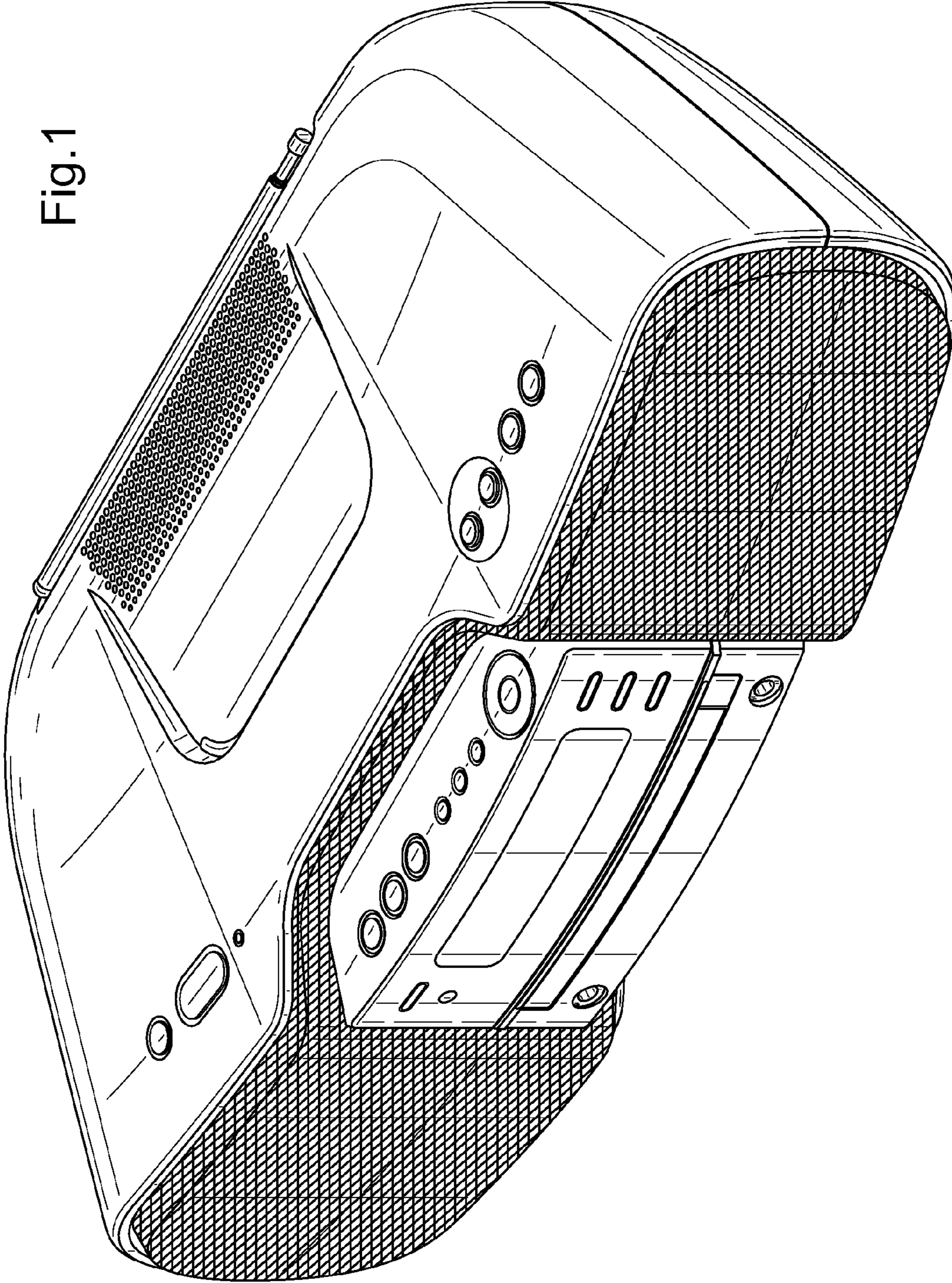


Fig.2

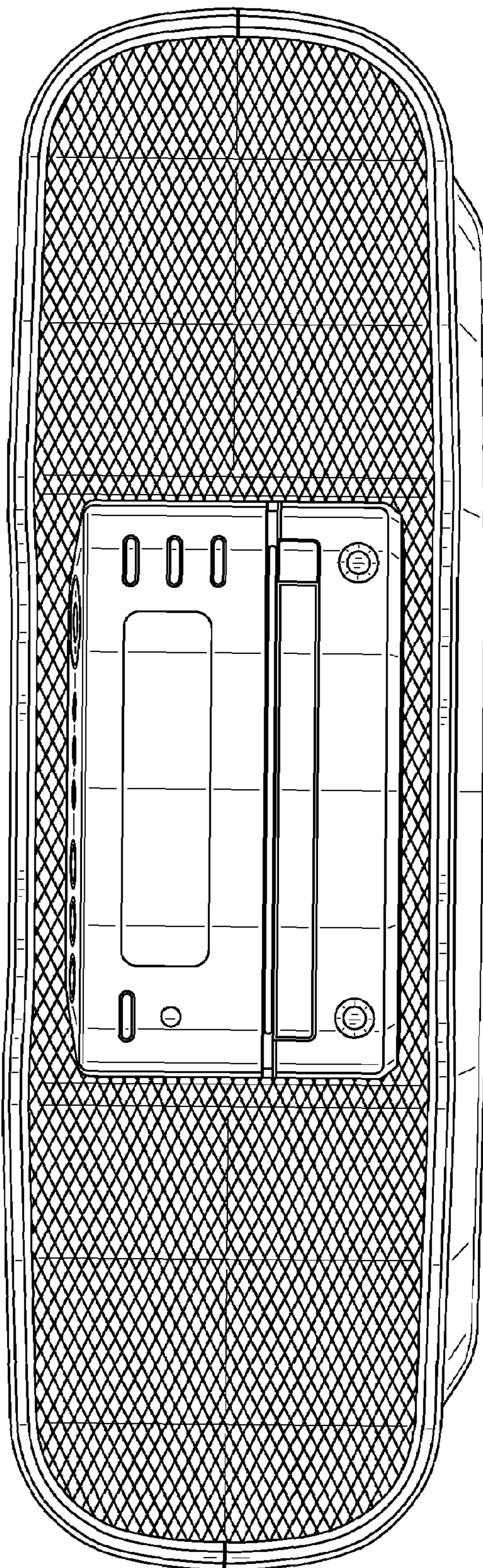


Fig.3

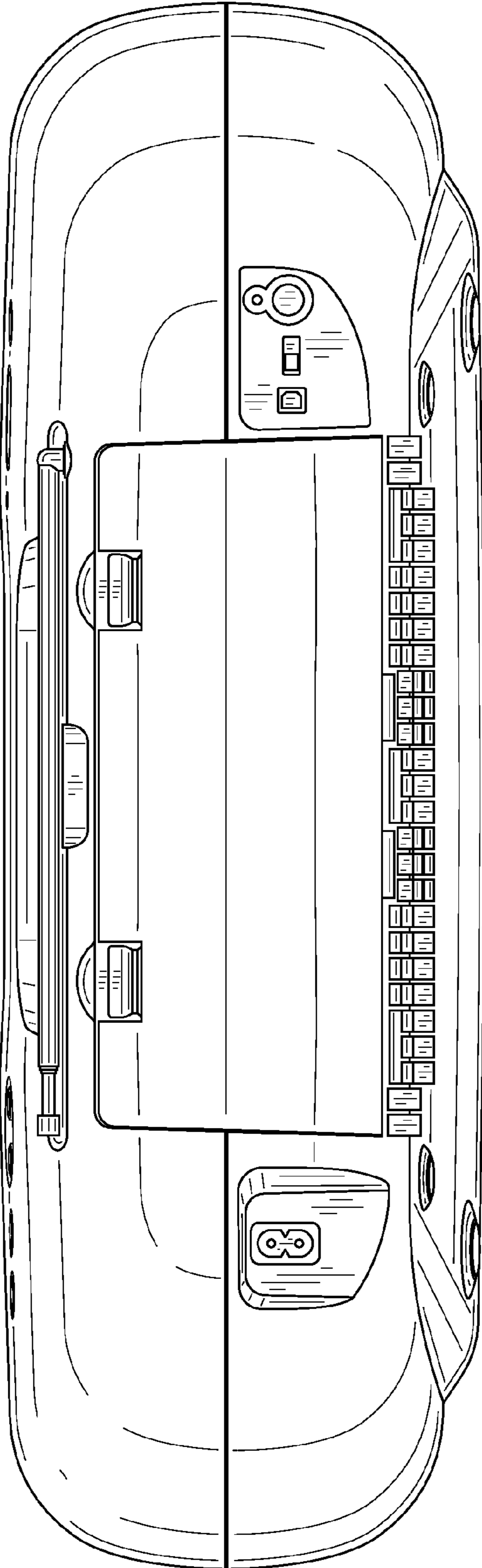


Fig.4

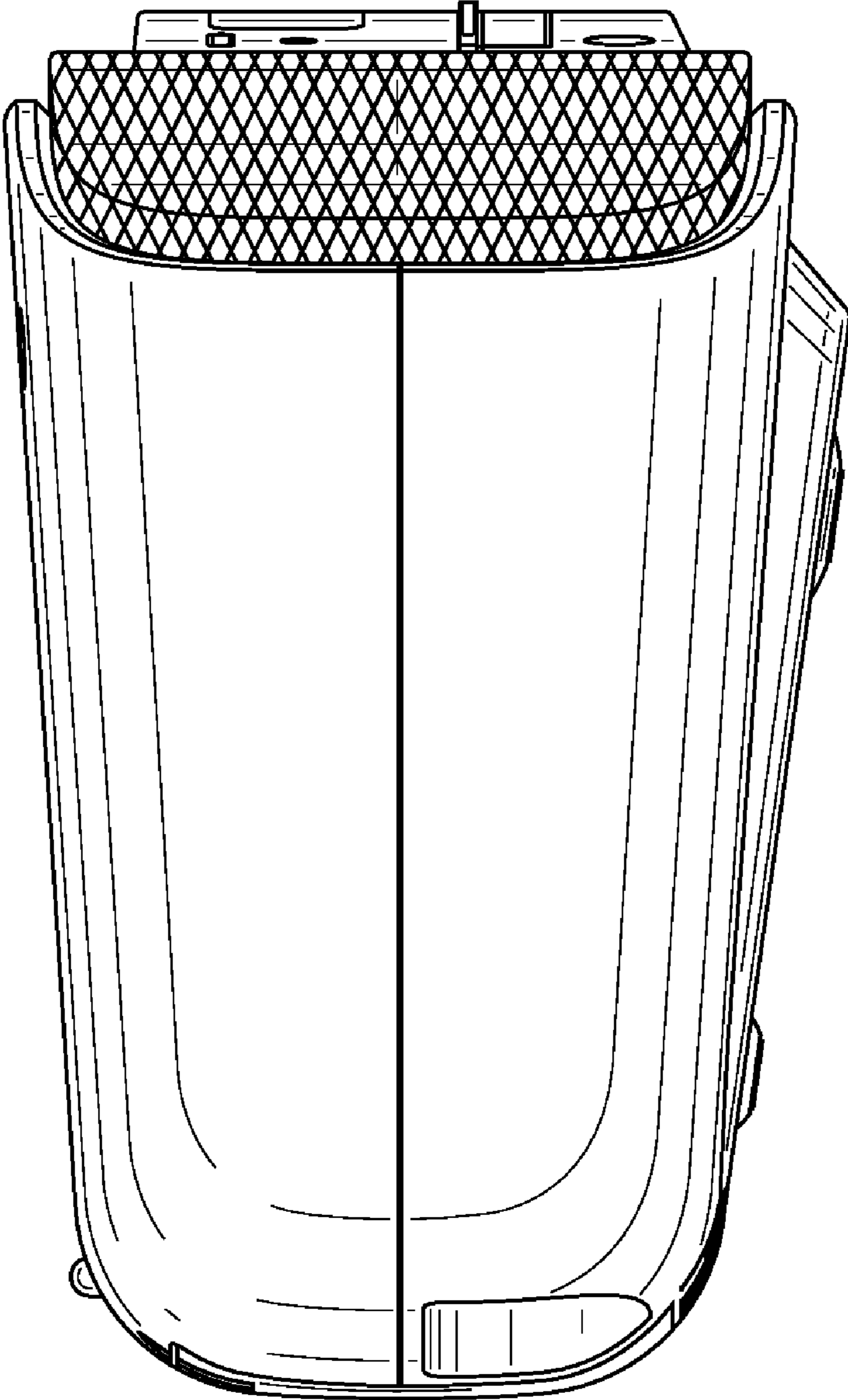


Fig.5

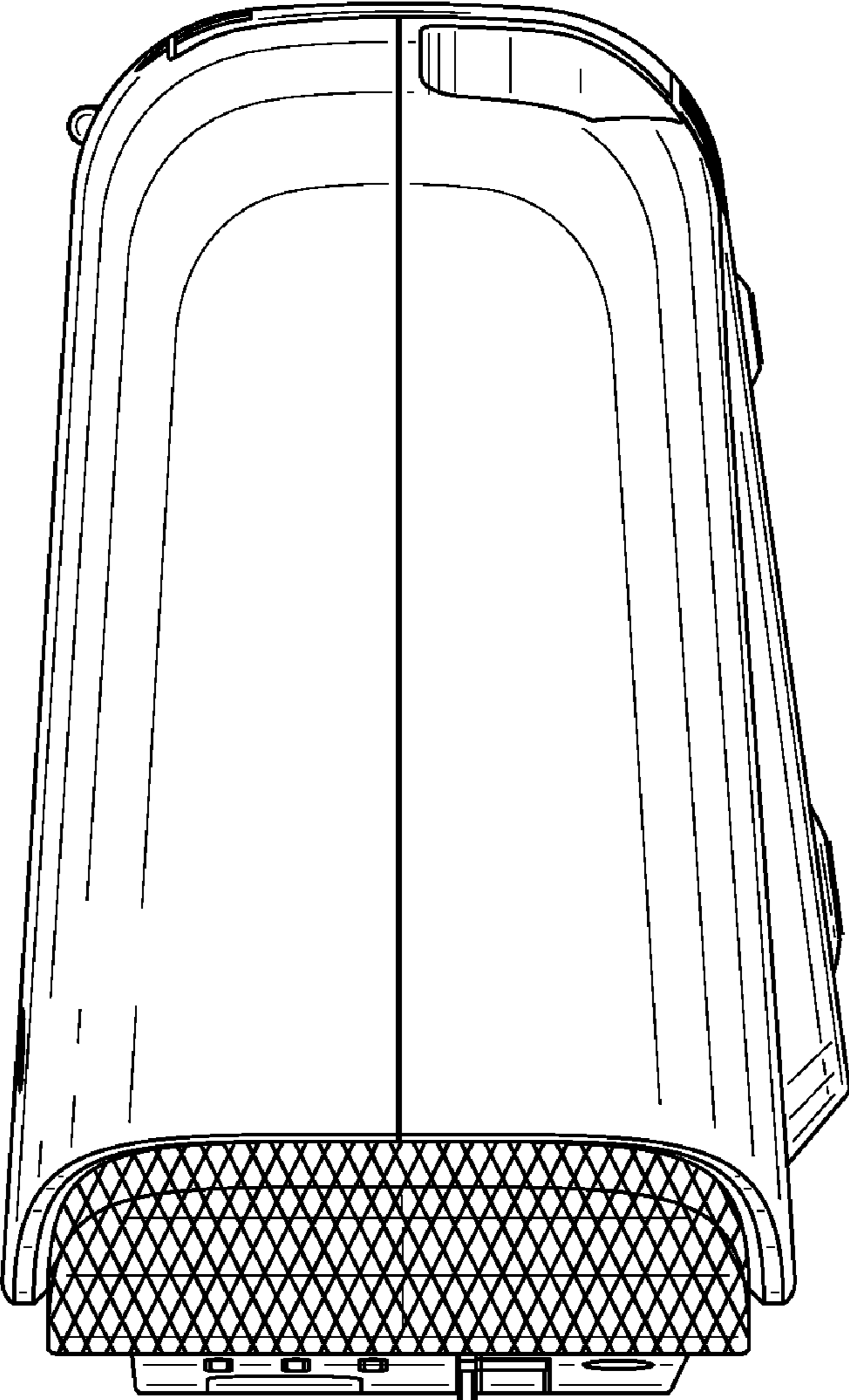


Fig.6

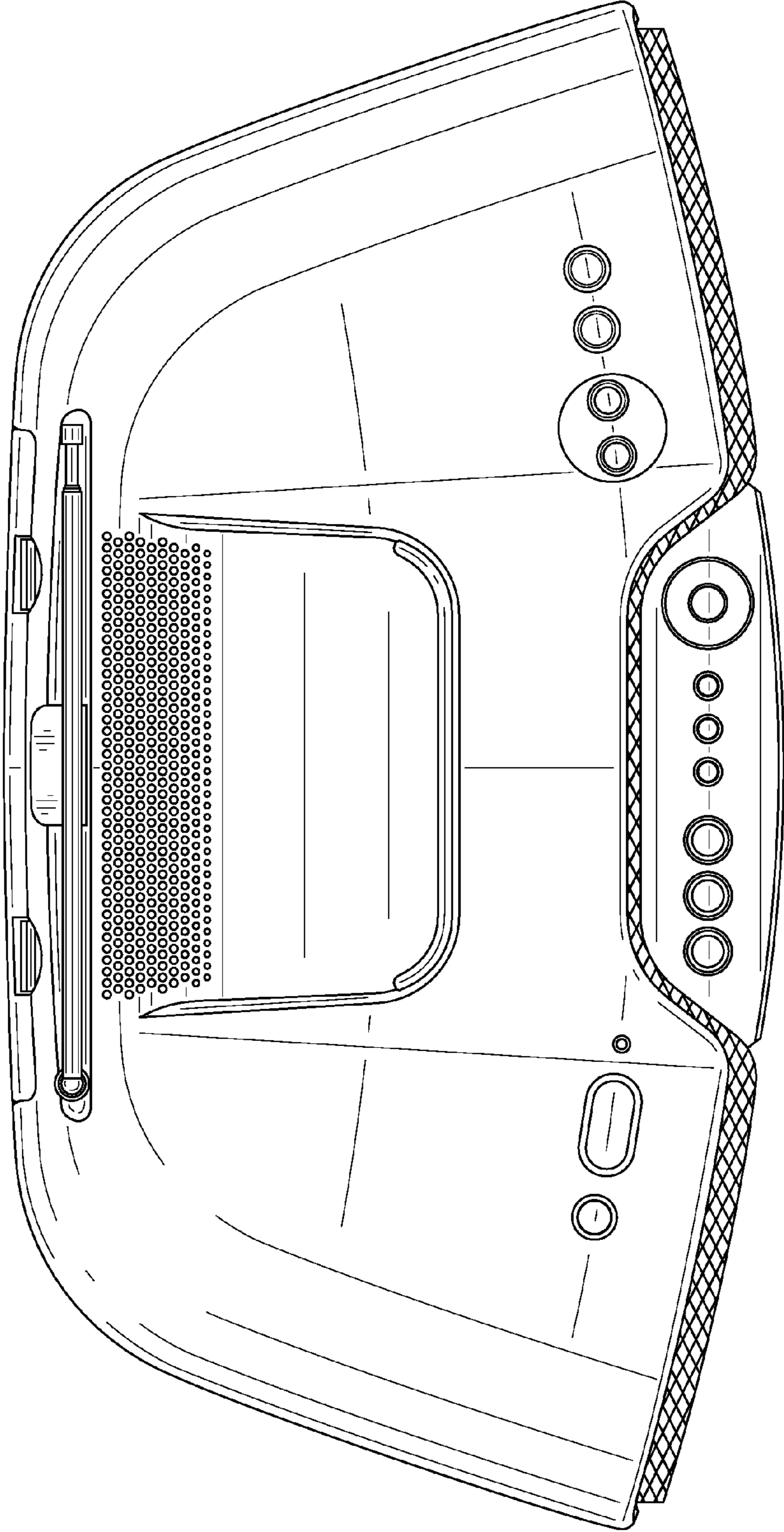
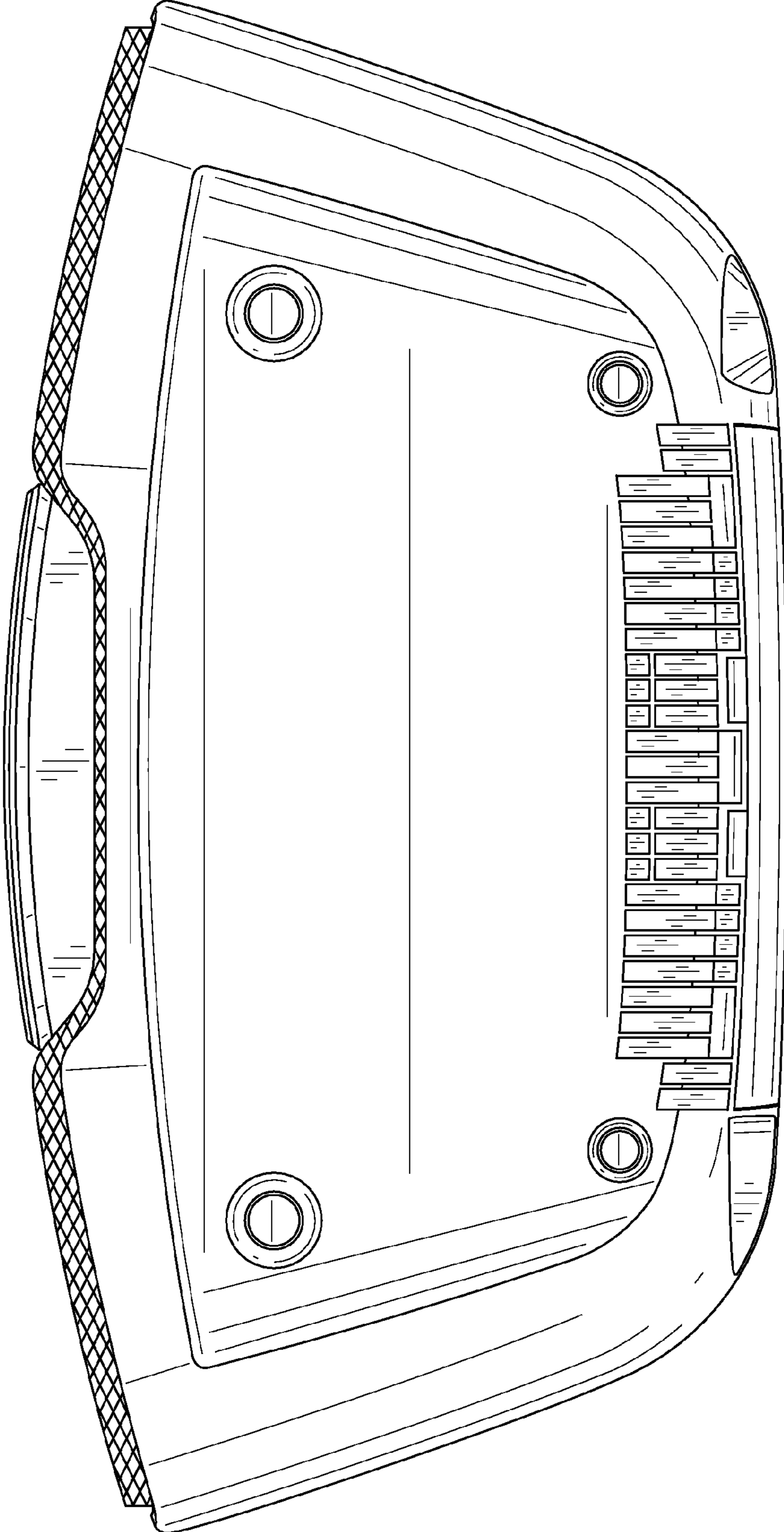


Fig.7



UNITED STATES PATENT AND TRADEMARK OFFICE
CERTIFICATE OF CORRECTION

PATENT NO. : Des. 574,873 S
APPLICATION NO. : 29/287573
DATED : August 12, 2008
INVENTOR(S) : Toshiyuki Hisatsune et al.

Page 1 of 9

It is certified that error appears in the above-identified patent and that said Letters Patent is hereby corrected as shown below:

The title page showing an illustrative figure, should be deleted and substitute therefor the attached title page.

(12) **United States Design Patent** (10) Patent No.: **US D574,873 S**
Hisatsune (45) Date of Patent: **** Aug. 12, 2008**

(54) PROJECTOR

(75) Inventor: Toshiyuki Hisatsune, Tokyo (JP)

(73) Assignee: Sony Corporation, Tokyo (JP)

(**) Term: 14 Years

(21) Appl. No.: 29/287,573

(22) Filed: Aug. 24, 2007

(30) Foreign Application Priority Data
 May 24, 2007 (JP) D2007-013748

(51) LOC (8) CL 16-02

(52) U.S. CL D16/225; D16/221

(58) Field of Classification Search D16/200,
 D16/201, 204, 208, 213, 218, 221, 225, 230;
 D21/514; 353/115, 119, 122; 40/361-367
 See application file for complete search history.

JP D1201299 S 4/2005
 JP D1253906 S 10/2005
 JP D1201492 S 3/2006
 JP D1215143 S 7/2006

OTHER PUBLICATIONS

Document "Television Projector, C200310256" http://203.112.31.46/search/show_detail.asp, 2 sheets, Toshiba Corp. (Oct. 2003).
 Chinese publicized document "200530094481.9" www.sipo.gov.cn, 2 sheets, State Intellectual Property Office of PRC (Apr. 2007).
 Document "Table Projector, D200700048" http://203.112.31.46/search/show_detail.asp, 2 sheets, Sony (May 2007).

* cited by examiner

Primary Examiner—Adir Aronovich
 (74) Attorney, Agent, or Firm—Rader Fishman & Grauer, PLLC

(57) **CLAIM**

The ornamental design for a projector, as shown.

DESCRIPTION

FIG. 1 is a perspective view of a projector showing my new design;
 FIG. 2 is a front elevational view thereof;
 FIG. 3 is a rear elevational view thereof;
 FIG. 4 is a left side elevational view thereof;
 FIG. 5 is a right side elevational view thereof;
 FIG. 6 is a top plan view thereof; and,
 FIG. 7 is a bottom plan view thereof.

(56) **References Cited**

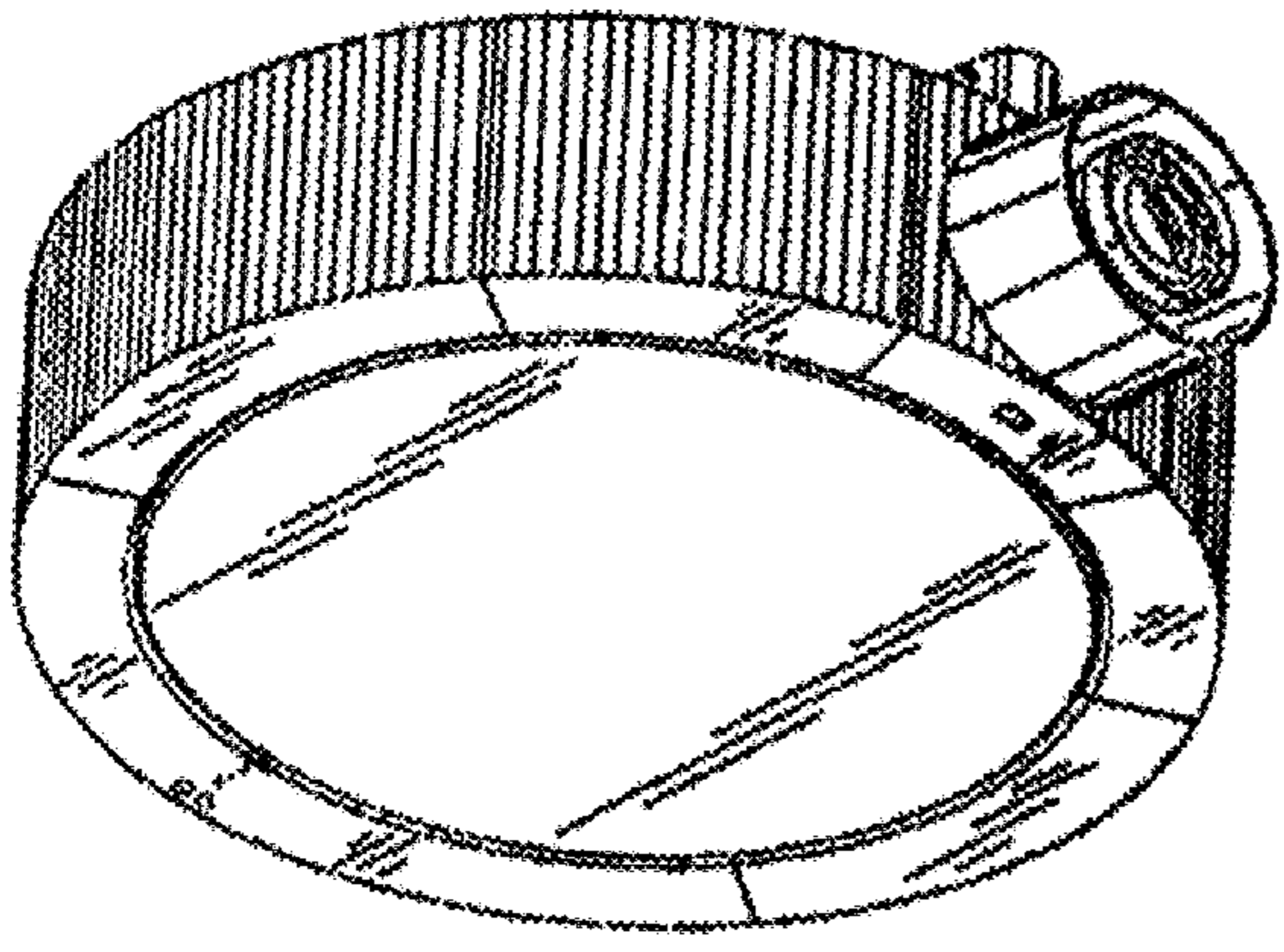
U.S. PATENT DOCUMENTS

D186,916 S * 12/1959 Close D16/225
 D375,970 S * 11/1996 Harata D16/221
 D442,616 S * 5/2001 Ohmori et al. D16/204
 D448,787 S * 10/2001 Shiotani D16/218
 D458,951 S * 6/2002 Sato D16/218
 D468,335 S 1/2003 Goto et al.
 D507,588 S * 7/2005 Cummings et al. D16/204
 7,018,053 B2 * 3/2006 Dwyer et al. 353/119

FOREIGN PATENT DOCUMENTS

JP D1202250 S 4/2004

1 Claim, 7 Drawing Sheets



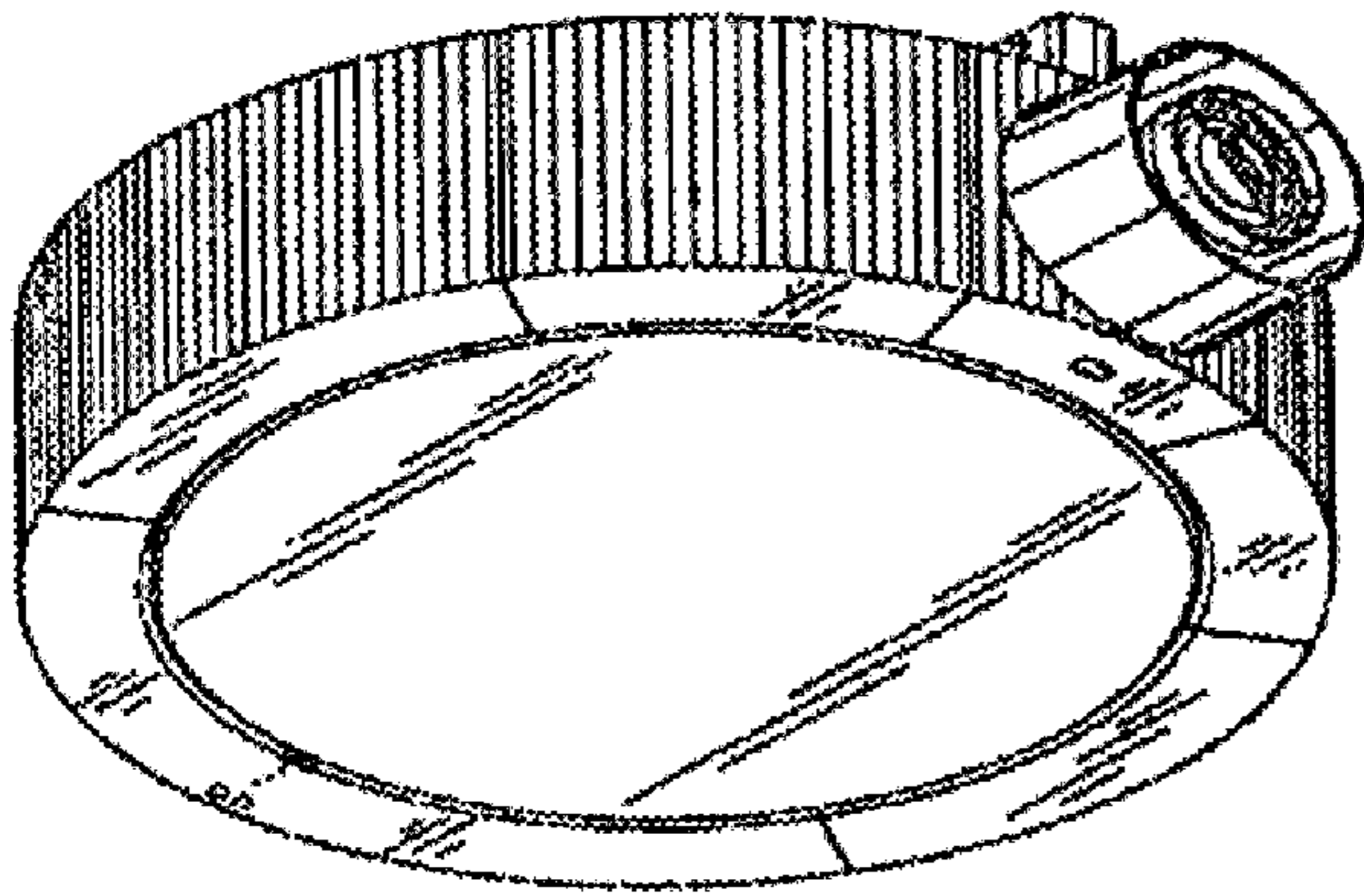
UNITED STATES PATENT AND TRADEMARK OFFICE
CERTIFICATE OF CORRECTION

PATENT NO. : Des. 574,873 S
APPLICATION NO. : 29/287573
DATED : August 12, 2008
INVENTOR(S) : Toshiyuki Hisatsune et al.

Page 3 of 9

It is certified that error appears in the above-identified patent and that said Letters Patent is hereby corrected as shown below:

Delete figure 1 and substitute the figure below:



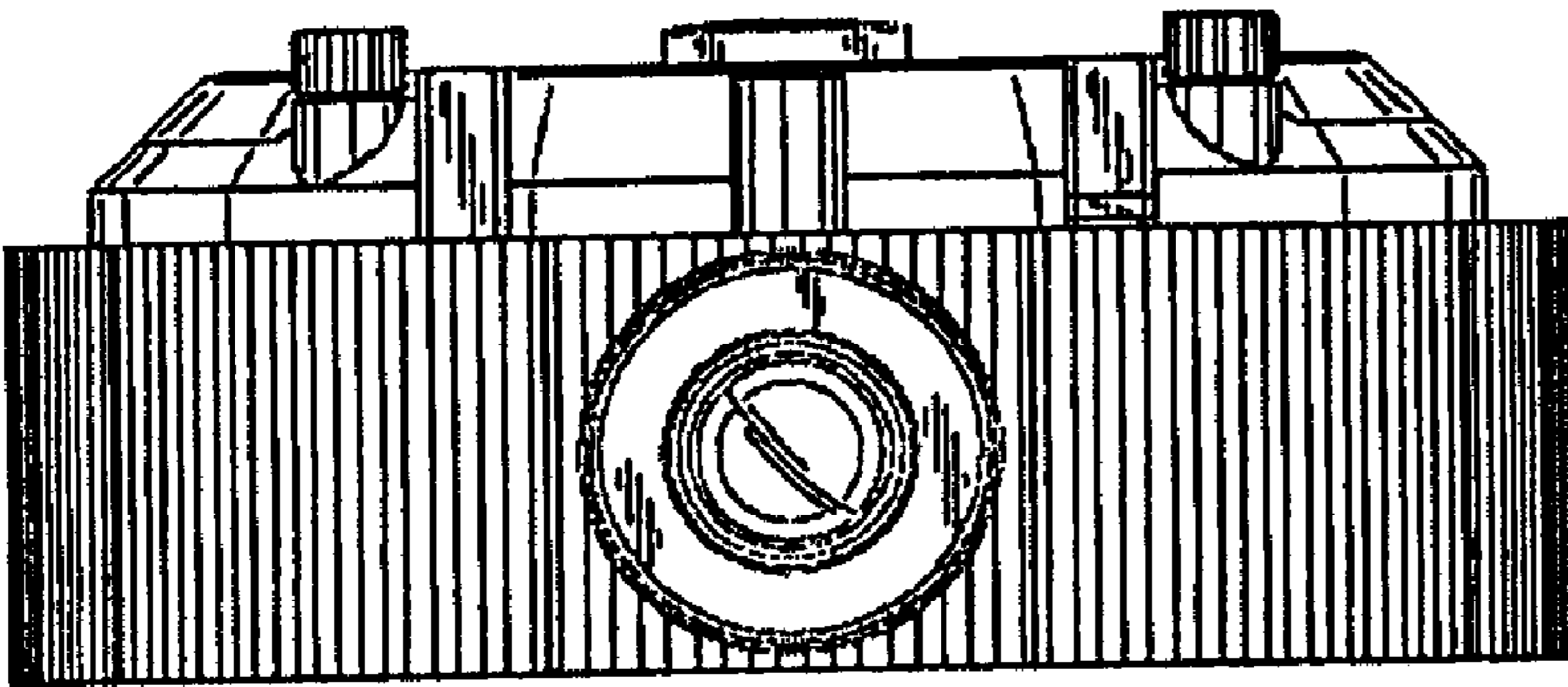
UNITED STATES PATENT AND TRADEMARK OFFICE
CERTIFICATE OF CORRECTION

PATENT NO. : Des. 574,873 S
APPLICATION NO. : 29/287573
DATED : August 12, 2008
INVENTOR(S) : Toshiyuki Hisatsune et al.

Page 4 of 9

It is certified that error appears in the above-identified patent and that said Letters Patent is hereby corrected as shown below:

Delete figure 2 and substitute the figure below:



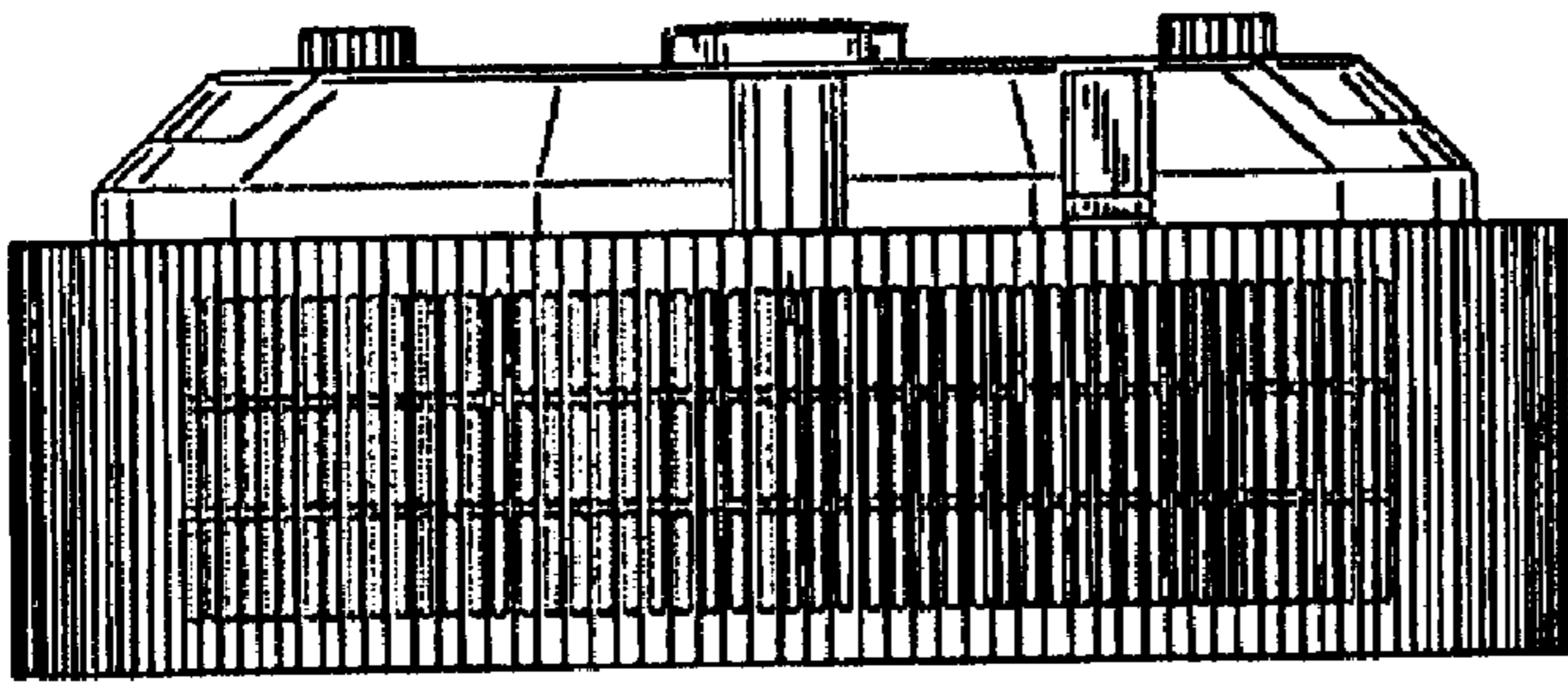
UNITED STATES PATENT AND TRADEMARK OFFICE
CERTIFICATE OF CORRECTION

PATENT NO. : Des. 574,873 S
APPLICATION NO. : 29/287573
DATED : August 12, 2008
INVENTOR(S) : Toshiyuki Hisatsune et al.

Page 5 of 9

It is certified that error appears in the above-identified patent and that said Letters Patent is hereby corrected as shown below:

Delete figure 3 and substitute the figure below:



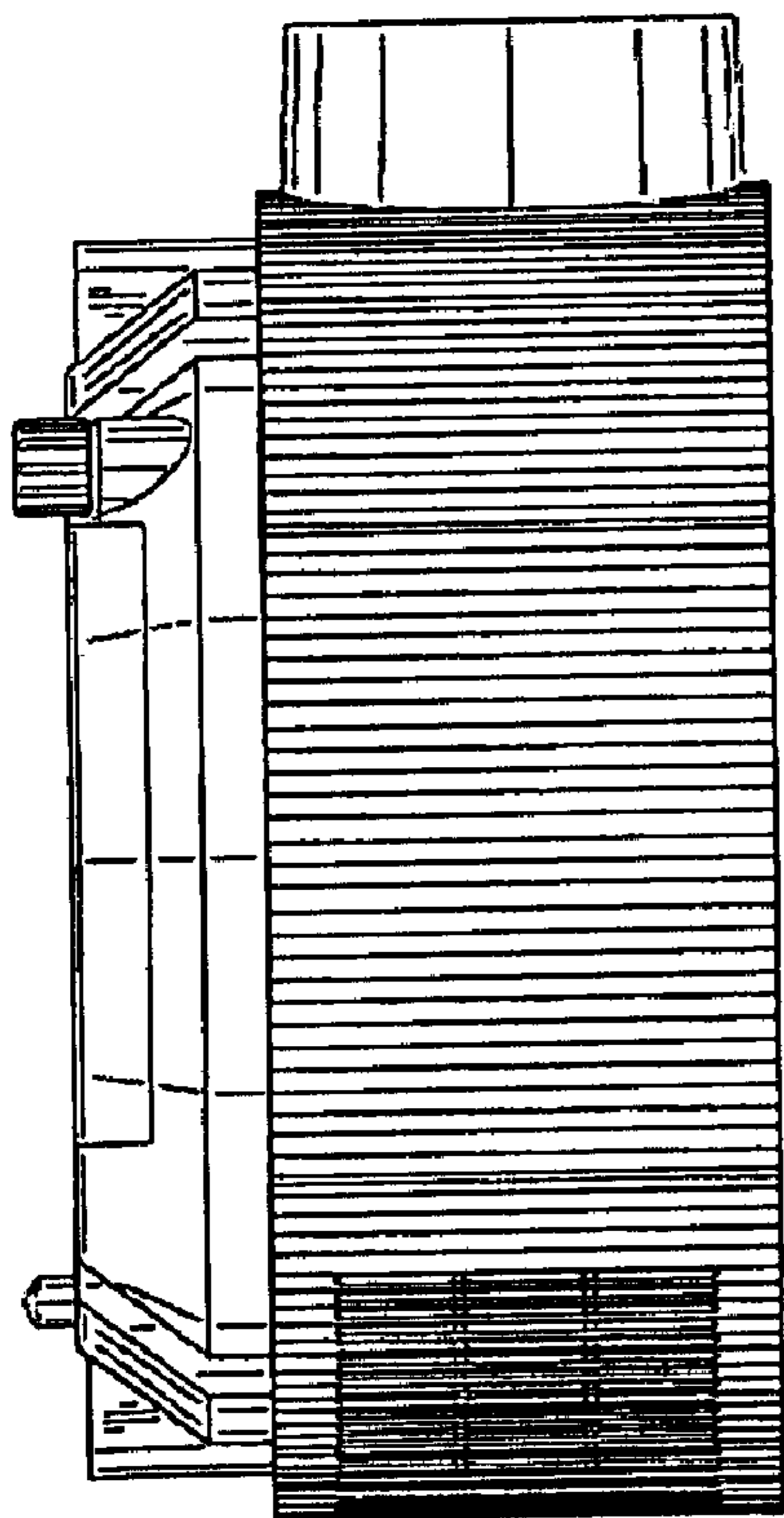
UNITED STATES PATENT AND TRADEMARK OFFICE
CERTIFICATE OF CORRECTION

PATENT NO. : Des. 574,873 S
APPLICATION NO. : 29/287573
DATED : August 12, 2008
INVENTOR(S) : Toshiyuki Hisatsune et al.

Page 6 of 9

It is certified that error appears in the above-identified patent and that said Letters Patent is hereby corrected as shown below:

Delete figure 4 and substitute the figure below:



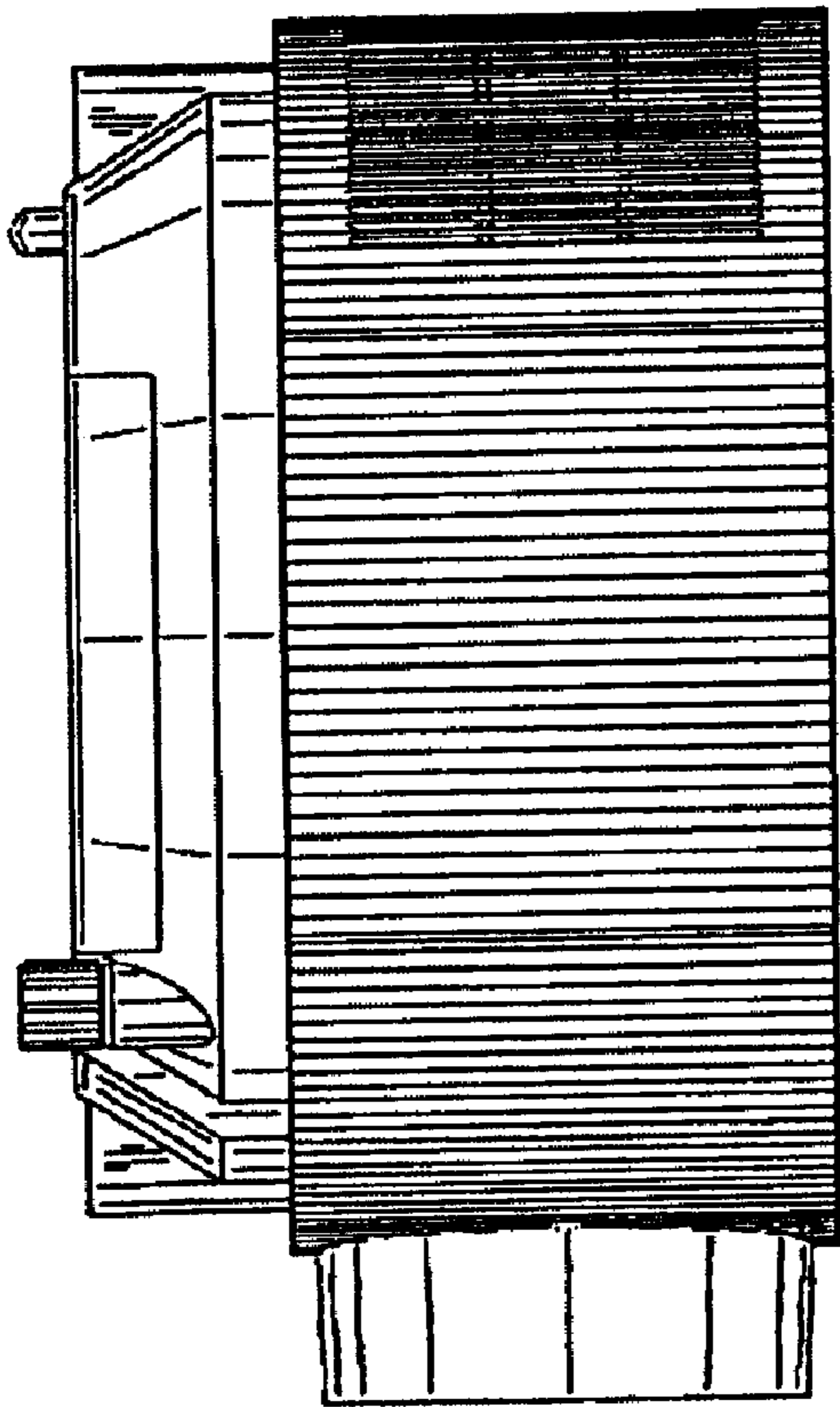
UNITED STATES PATENT AND TRADEMARK OFFICE
CERTIFICATE OF CORRECTION

PATENT NO. : Des. 574,873 S
APPLICATION NO. : 29/287573
DATED : August 12, 2008
INVENTOR(S) : Toshiyuki Hisatsune et al.

Page 7 of 9

It is certified that error appears in the above-identified patent and that said Letters Patent is hereby corrected as shown below:

Delete figure 5 and substitute the figure below:



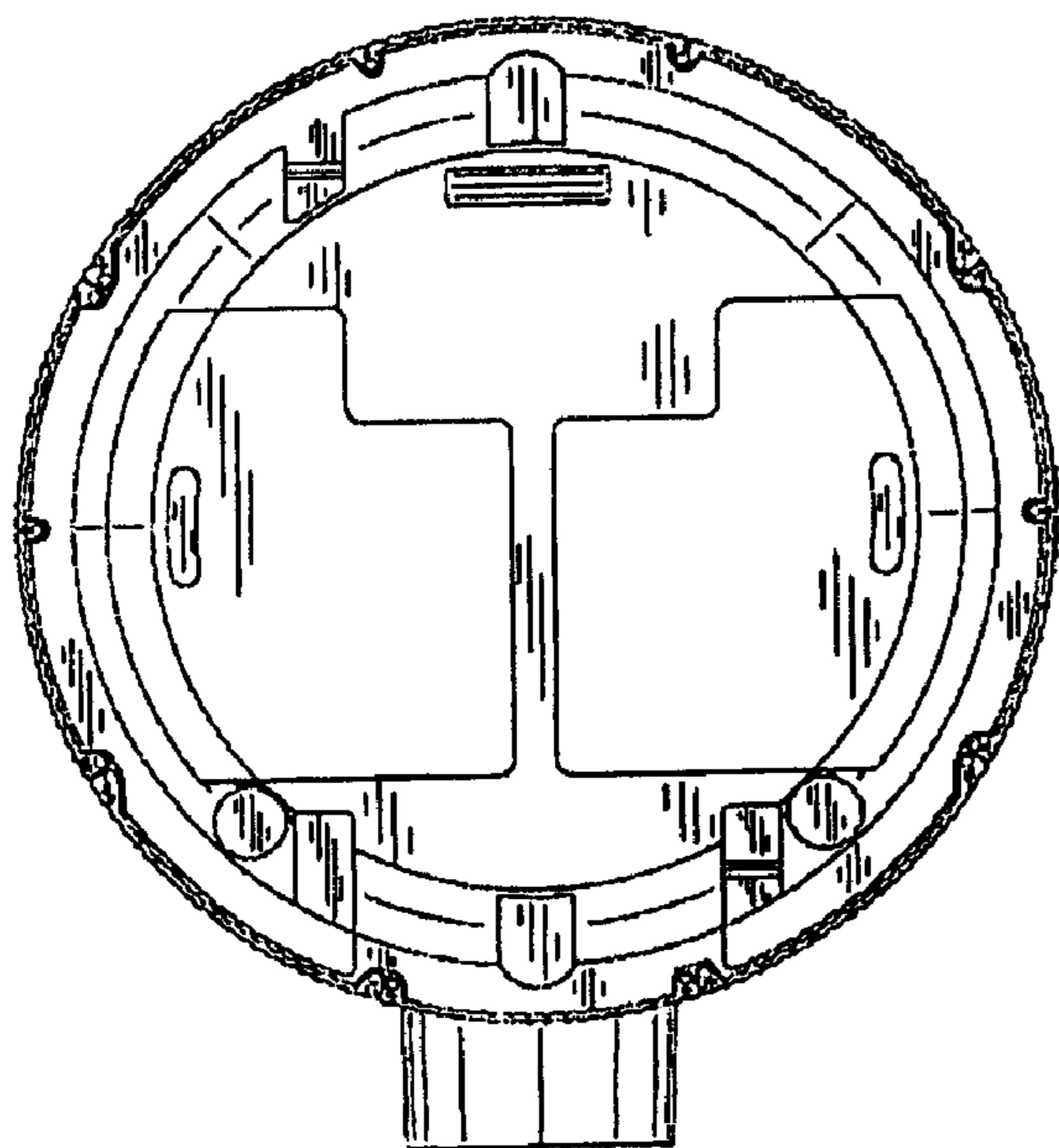
UNITED STATES PATENT AND TRADEMARK OFFICE
CERTIFICATE OF CORRECTION

PATENT NO. : Des. 574,873 S
APPLICATION NO. : 29/287573
DATED : August 12, 2008
INVENTOR(S) : Toshiyuki Hisatsune et al.

Page 8 of 9

It is certified that error appears in the above-identified patent and that said Letters Patent is hereby corrected as shown below:

Delete figure 6 and substitute the figure below:



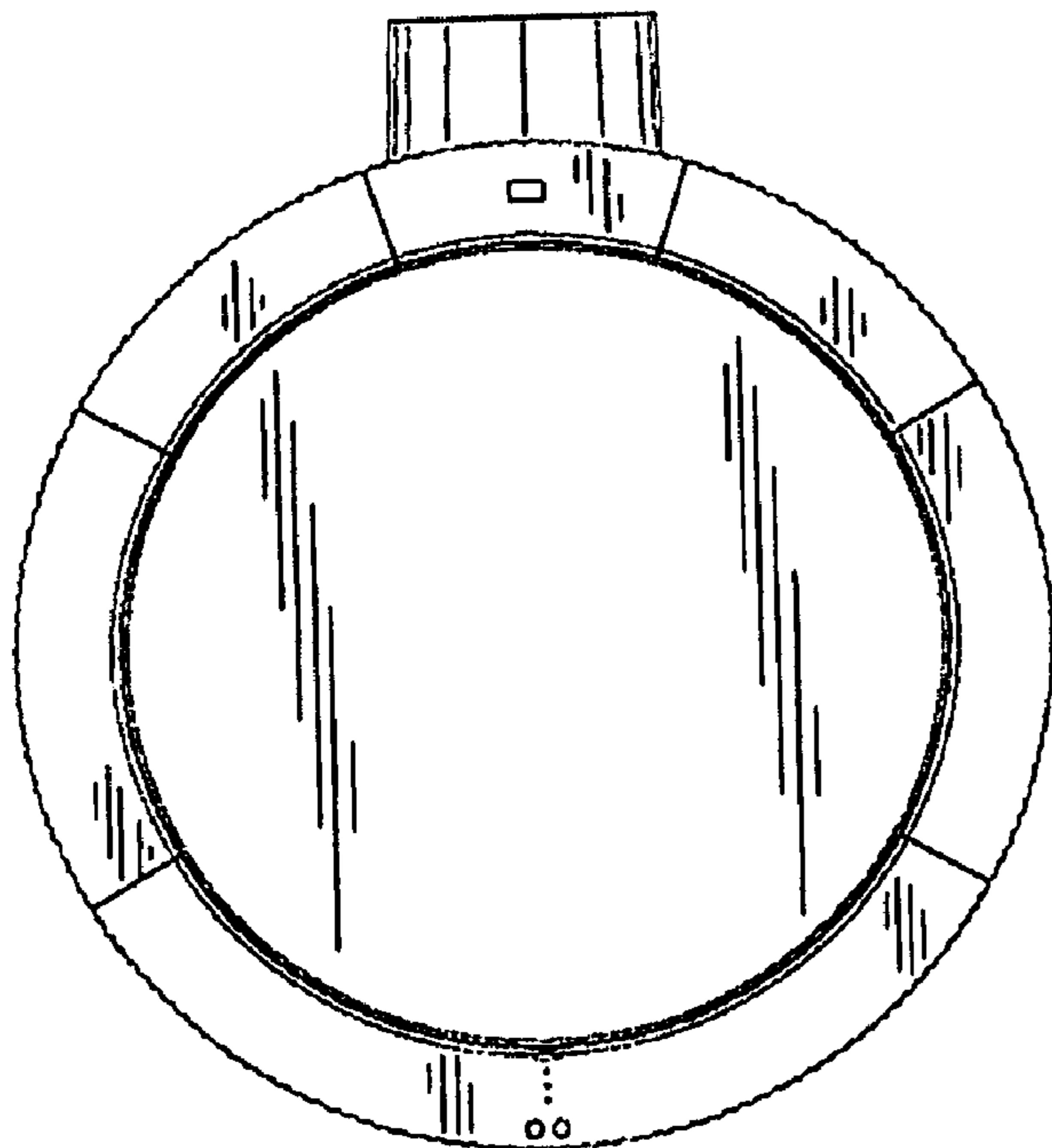
UNITED STATES PATENT AND TRADEMARK OFFICE
CERTIFICATE OF CORRECTION

PATENT NO. : Des. 574,873 S
APPLICATION NO. : 29/287573
DATED : August 12, 2008
INVENTOR(S) : Toshiyuki Hisatsune et al.

Page 9 of 9

It is certified that error appears in the above-identified patent and that said Letters Patent is hereby corrected as shown below:

Delete figure 7 and substitute the figure below:



Signed and Sealed this

Twenty-first Day of October, 2008

A handwritten signature in black ink that reads "Jon W. Dudas". The signature is written in a cursive style with a large initial "J" and "D".

JON W. DUDAS
Director of the United States Patent and Trademark Office