

US00D574872S

(12) **United States Design Patent**  
**Takagi**

(10) **Patent No.:** **US D574,872 S**

(45) **Date of Patent:** **\*\* Aug. 12, 2008**

(54) **CAMERA**

(75) Inventor: **Noriaki Takagi**, Tokyo (JP)

(73) Assignee: **Sony Corporation**, Tokyo (JP)

(\*\*) Term: **14 Years**

(21) Appl. No.: **29/287,236**

(22) Filed: **Jul. 12, 2007**

(30) **Foreign Application Priority Data**

Feb. 22, 2007 (JP) ..... D2007-004373

(51) **LOC (8) Cl.** ..... **16-05**

(52) **U.S. Cl.** ..... **D16/219; D16/206**

(58) **Field of Classification Search** ..... D16/200–206,  
D16/208, 212, 218, 219; 348/373–376; 358/909.1;  
396/535–541

See application file for complete search history.

(56) **References Cited**

**U.S. PATENT DOCUMENTS**

D435,572 S	12/2000	Maeyama	
D481,053 S *	10/2003	Colburn et al. ....	D16/206
D484,902 S *	1/2004	Baba .....	D16/202
D487,104 S	2/2004	Obata	
D488,498 S *	4/2004	Miyashita .....	D16/219
D501,496 S	2/2005	Sadatsuki	
D505,685 S *	5/2005	Yoshida .....	D16/219

D516,601 S	3/2006	Ishii	
D522,488 S	6/2006	Suzuki	
D550,744 S *	9/2007	Lee .....	D16/219
D562,871 S *	2/2008	Ishii et al. ....	D16/212
2007/0071438 A1 *	3/2007	Huang et al. ....	396/535

\* cited by examiner

*Primary Examiner*—Adir Aronovich

(74) *Attorney, Agent, or Firm*—Rader, Fishman & Grauer, PLLC

(57) **CLAIM**

The ornamental design for a camera, as shown and described.

**DESCRIPTION**

FIG. 1 is a perspective view of a camera showing my new design;

FIG. 2 is a front elevational view thereof;

FIG. 3 is a rear elevation view thereof;

FIG. 4 is a left side elevational view thereof;

FIG. 5 is a right side elevational view thereof;

FIG. 6 is a top plan view thereof; and,

FIG. 7 is a bottom plan view thereof.

The portions of FIGS. 1–7 that are shown as broken lines are for illustrative purpose only and form no part of the claimed design.

**1 Claim, 7 Drawing Sheets**

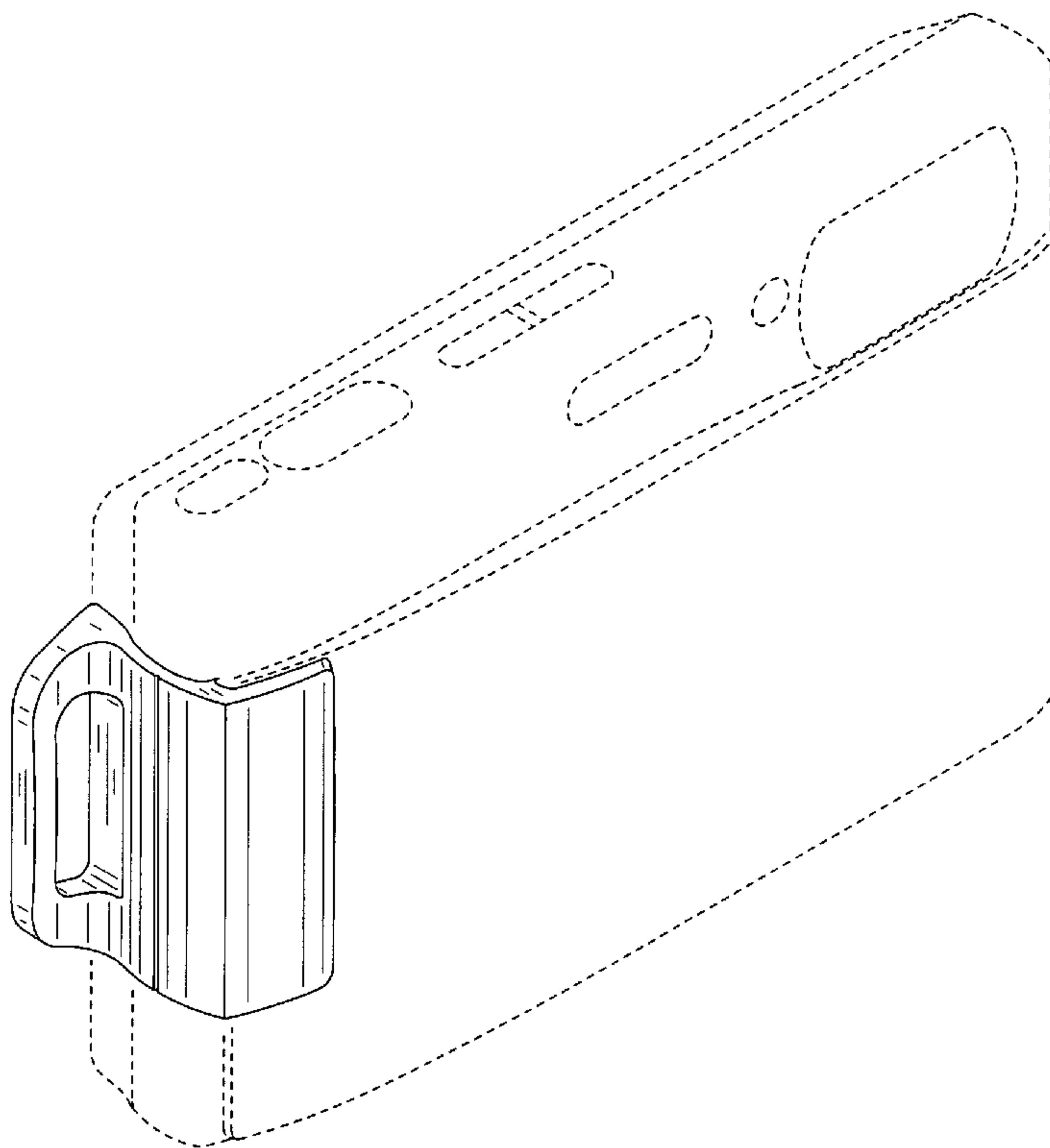


Fig. 1

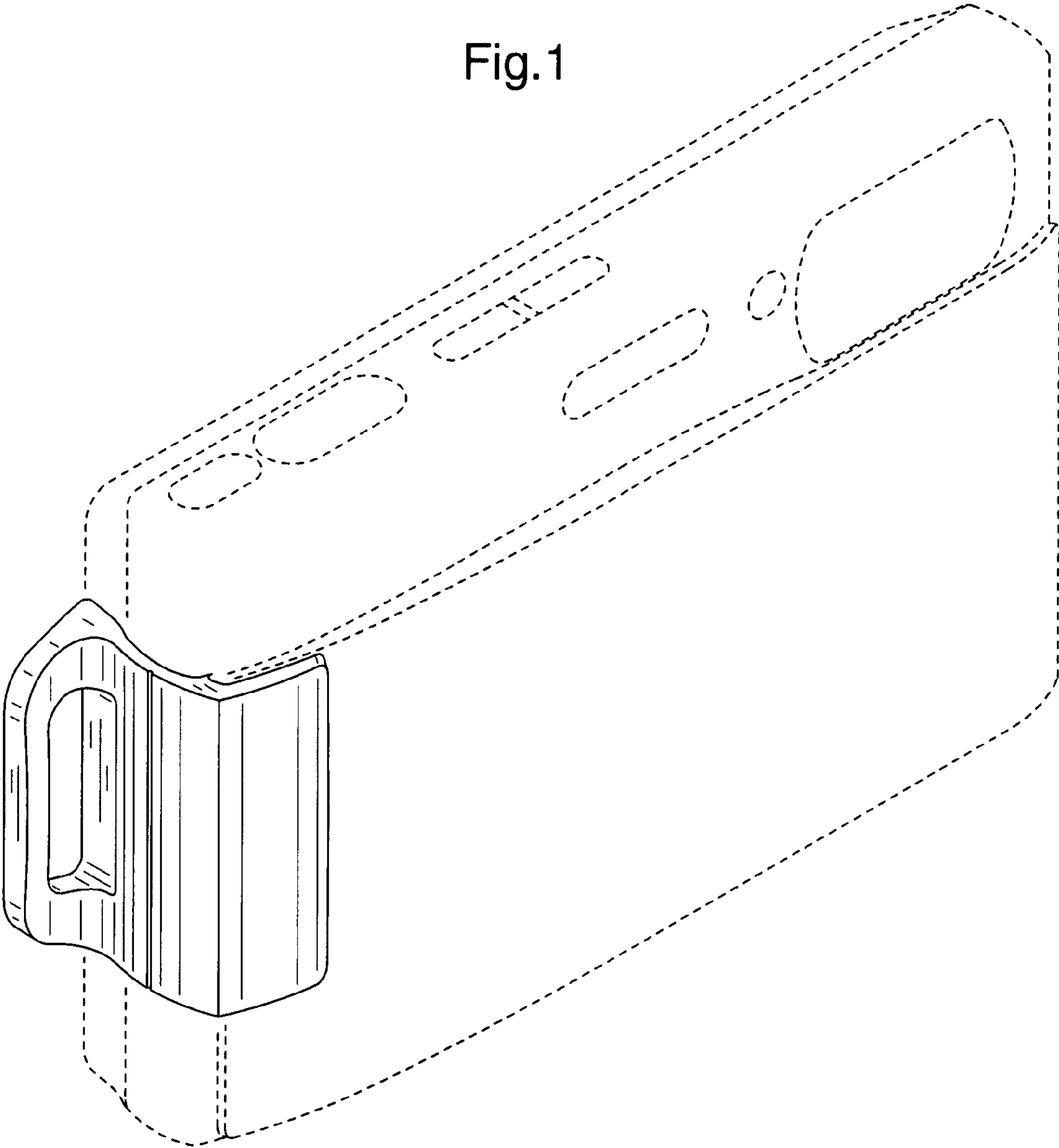
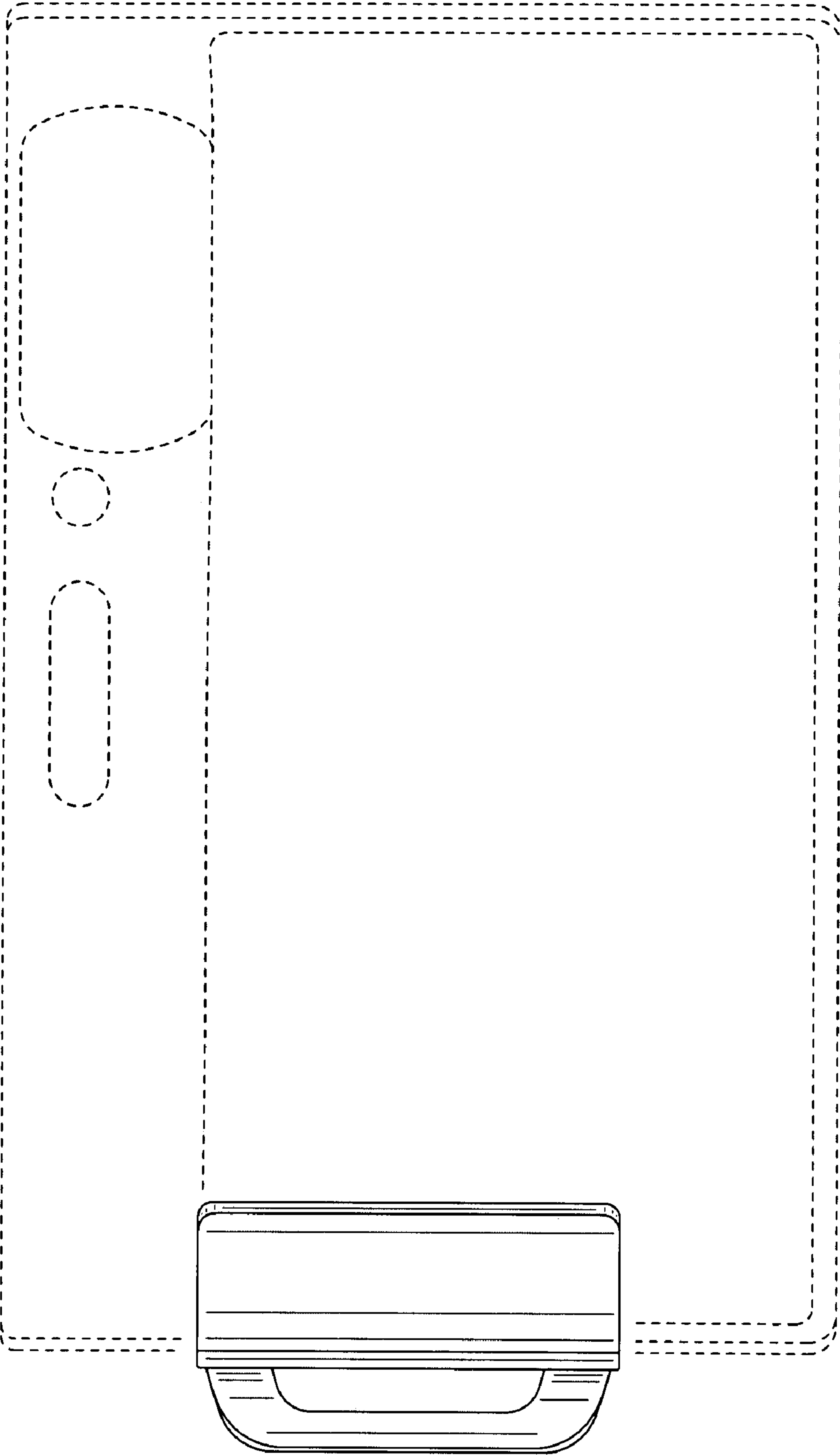


Fig.2



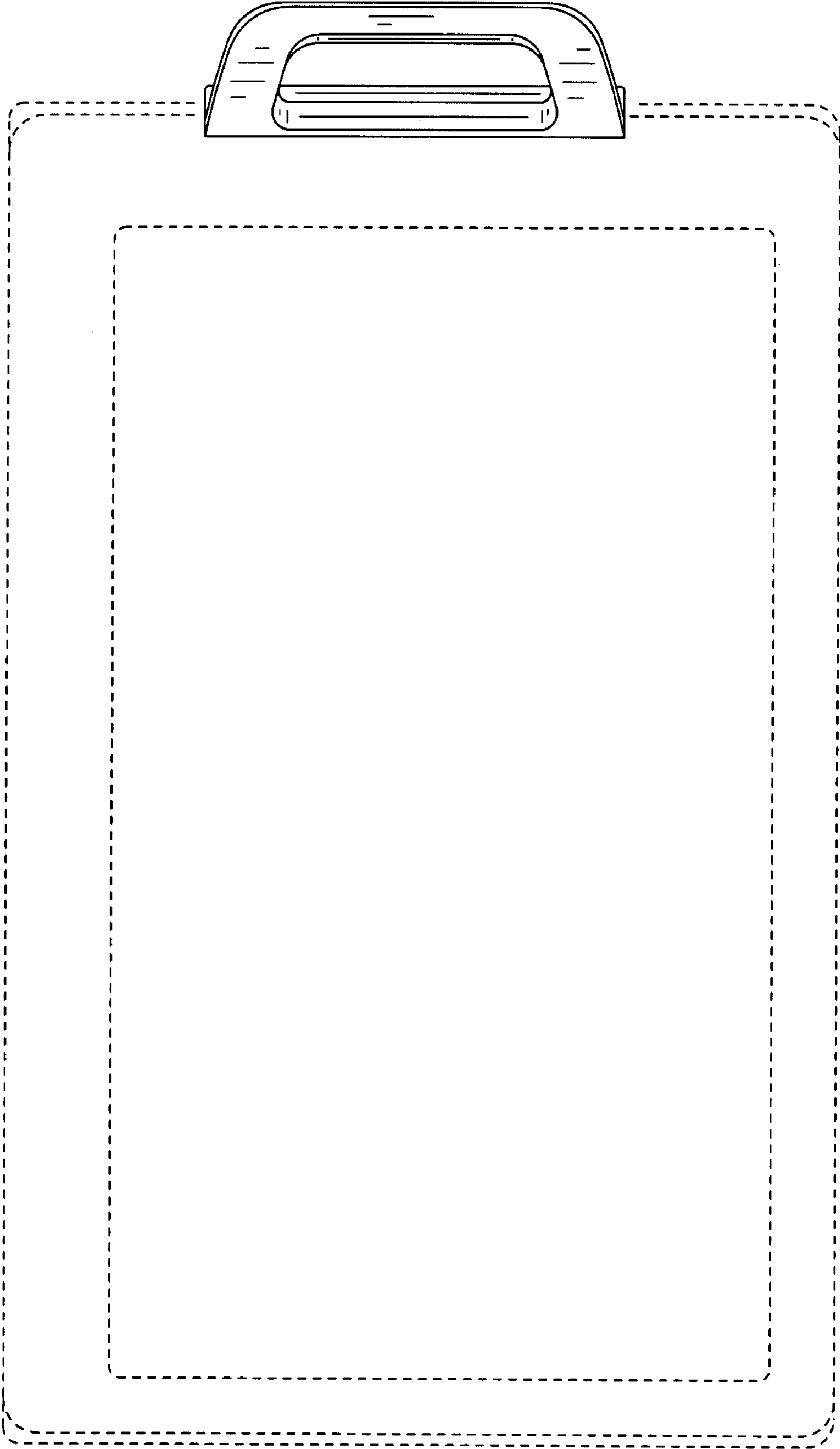


Fig.3

Fig.4

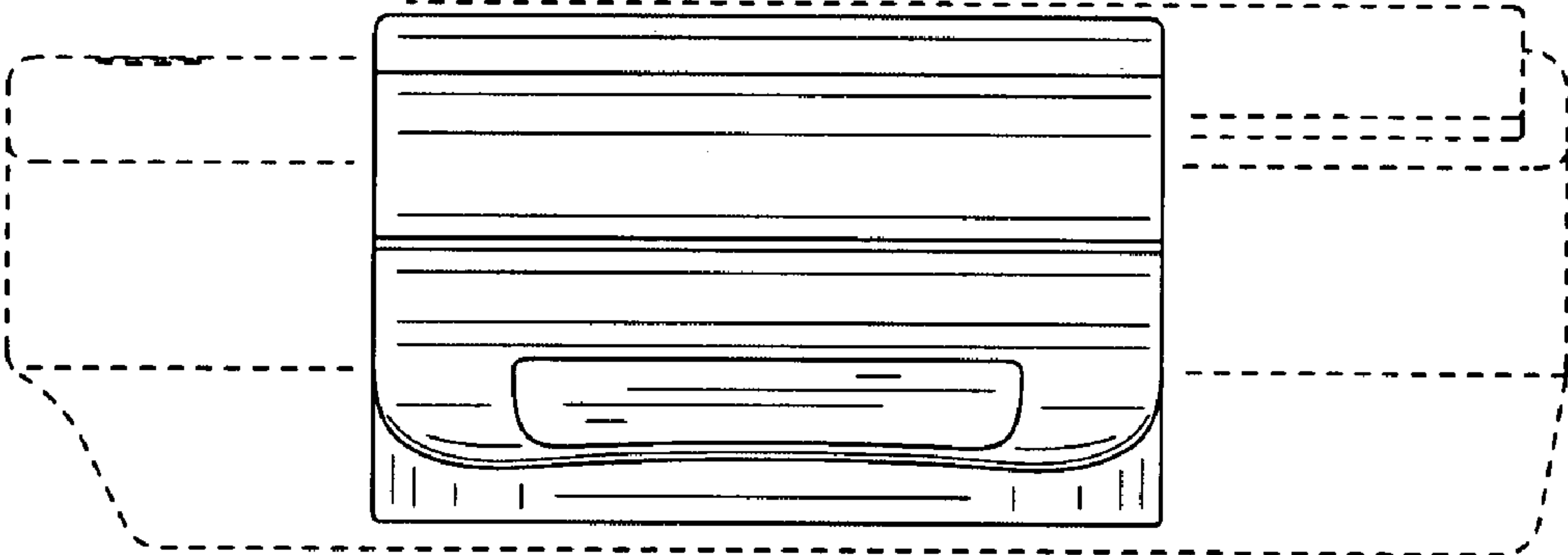


Fig.5

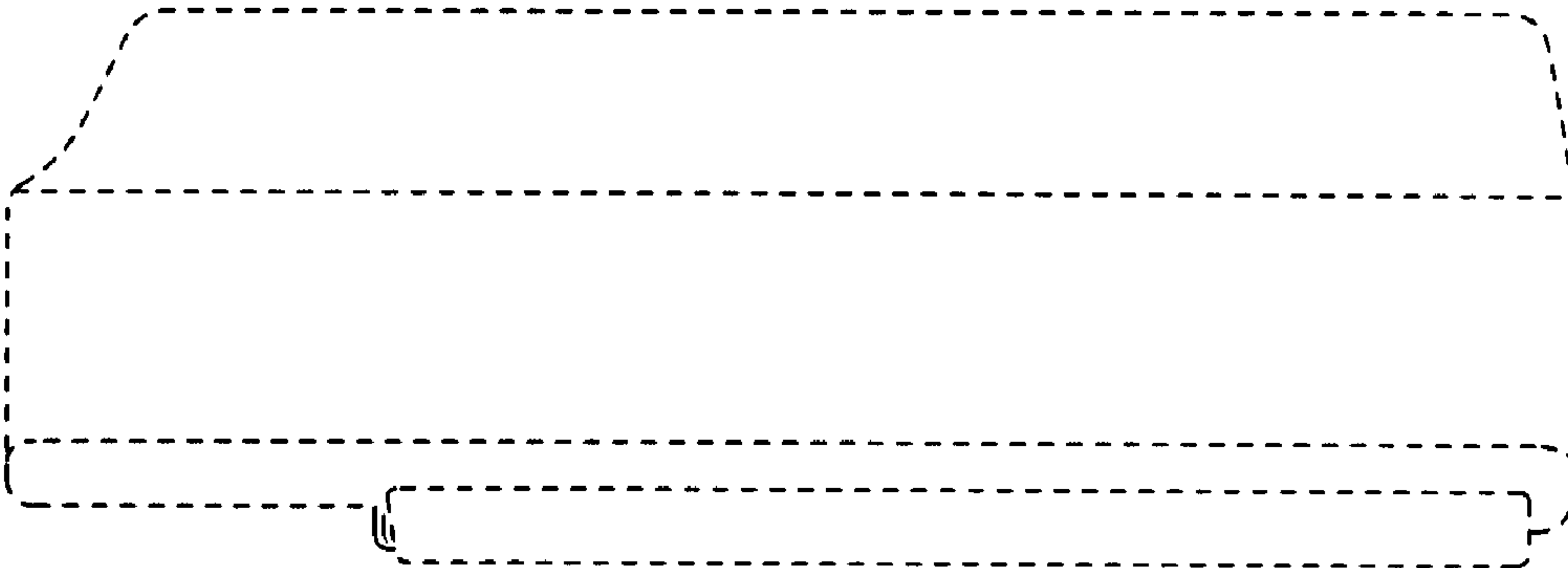


Fig.6

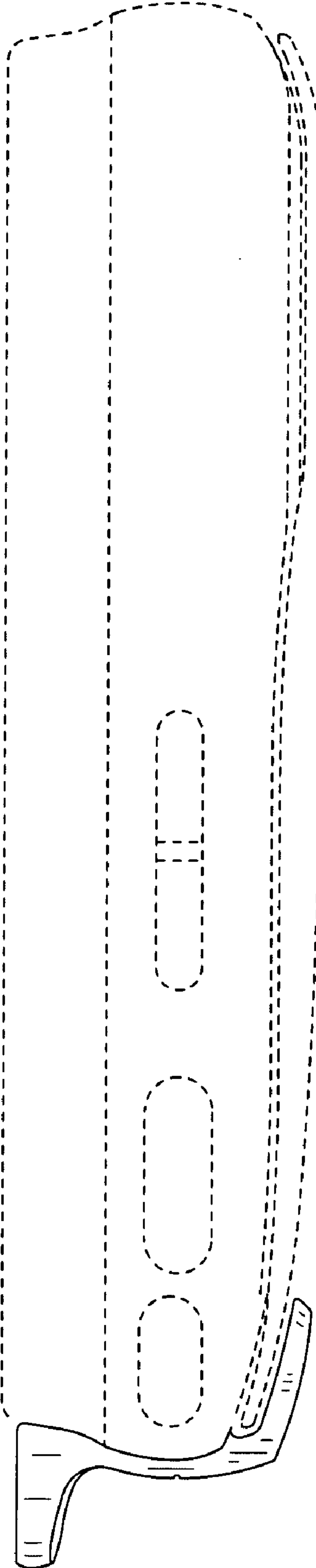


Fig.7

