

US00D574871S

(12) **United States Design Patent**  
**Ishii**

(10) **Patent No.:** **US D574,871 S**  
(45) **Date of Patent:** **\*\* Aug. 12, 2008**

(54) **CAMERA**

(75) Inventor: **Daisuke Ishii**, Tokyo (JP)

(73) Assignee: **Sony Corporation**, Tokyo (JP)

(\*\*) Term: **14 Years**

(21) Appl. No.: **29/287,212**

(22) Filed: **Jul. 10, 2007**

(30) **Foreign Application Priority Data**

Feb. 22, 2007 (JP) ..... D2007-004370

(51) **LOC (8) Cl.** ..... **16-05**

(52) **U.S. Cl.** ..... **D16/219**

(58) **Field of Classification Search** ..... D16/200–206,  
D16/208, 212, 218, 219; 348/373–376; 358/909.1;  
396/535–541

See application file for complete search history.

(56) **References Cited**

**U.S. PATENT DOCUMENTS**

D442,614 S	5/2001	Sumita	
D484,902 S *	1/2004	Baba	D16/202
D536,720 S	2/2007	Miyashita	
D538,323 S *	3/2007	Sato	D16/219
D541,836 S *	5/2007	Ina et al.	D16/219
D542,323 S	5/2007	Takagi	
D542,826 S *	5/2007	Ina et al.	D16/219
D543,225 S *	5/2007	Shimizu	D16/219

**OTHER PUBLICATIONS**

Office Action from Japan Patent Office dated Jan. 22, 2008 for application No. JP 2007-004370.

Advertisement, "4 Mega Pixel Digital Camera D'zign D-Z-438," Fuji Sankei Business Eye. (2004).

\* cited by examiner

*Primary Examiner*—Adir Aronovich

(74) *Attorney, Agent, or Firm*—Rader, Fishman & Grauer, PLLC

(57) **CLAIM**

The ornamental design for a camera, as shown and described.

**DESCRIPTION**

FIG. 1 is a perspective view of a camera showing my new design;

FIG. 2 is a front elevational view thereof;

FIG. 3 is a left side elevational view thereof;

FIG. 4 is a right side elevational view thereof;

FIG. 5 is a top plan view thereof; and,

FIG. 6 is a bottom plan view thereof.

The portions of FIGS. 1–6 that are shown as broken lines are for illustrative purpose only and form no part of the claimed design.

The broken lines immediately adjacent the shaded areas in FIGS. 1 and 2 represent the bounds of the claimed design and form no part thereof.

**1 Claim, 6 Drawing Sheets**

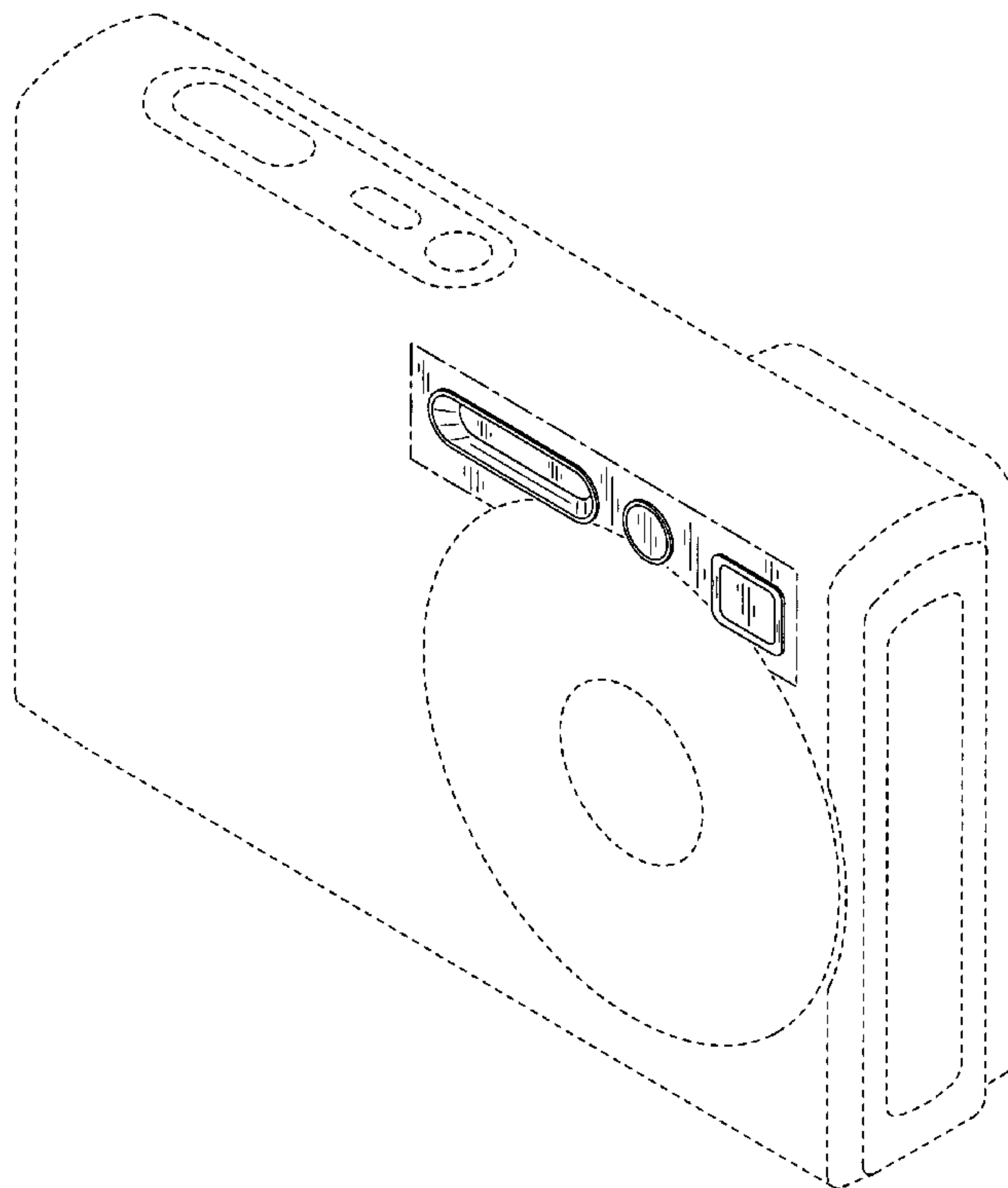


Fig.1

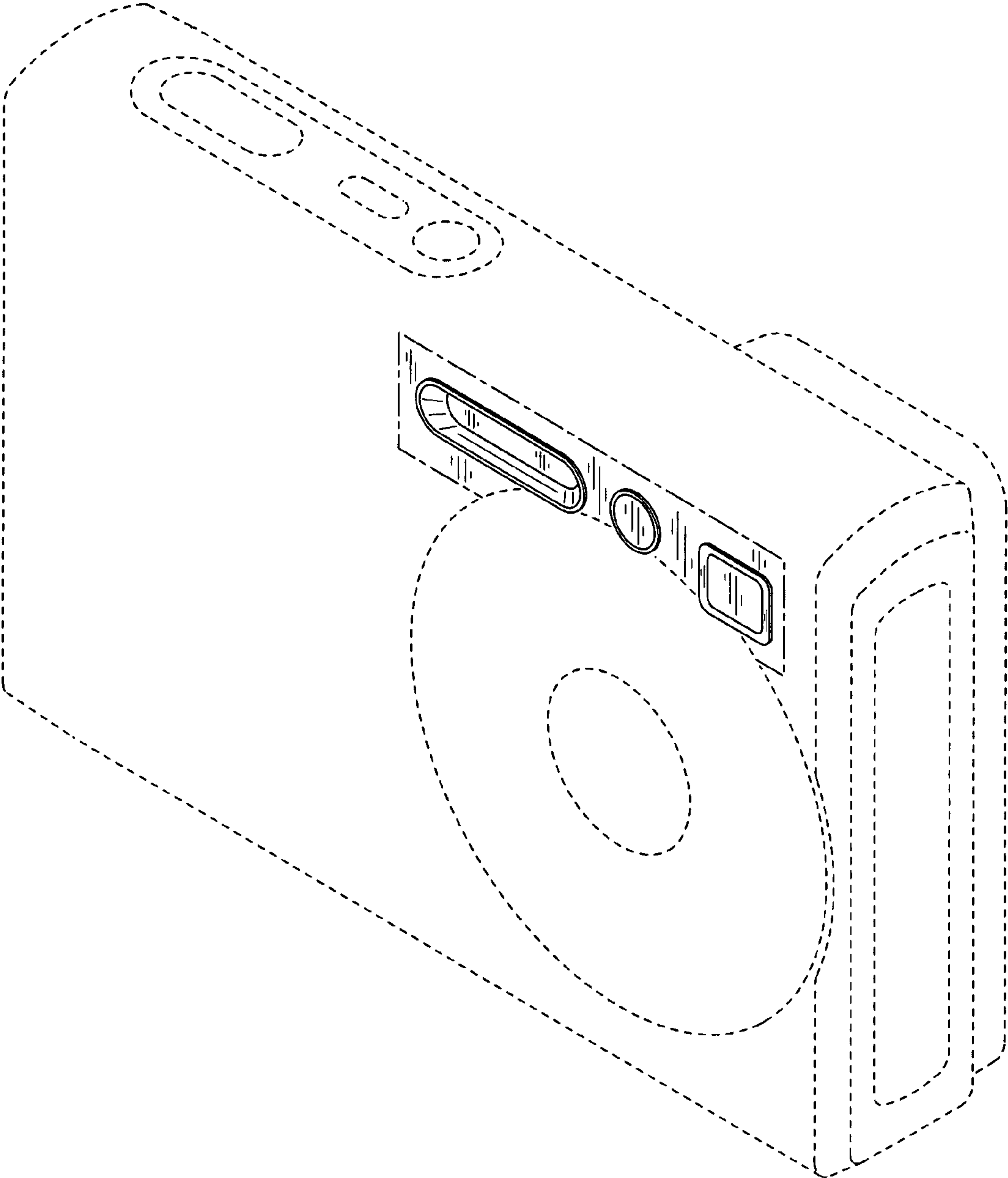


Fig.2

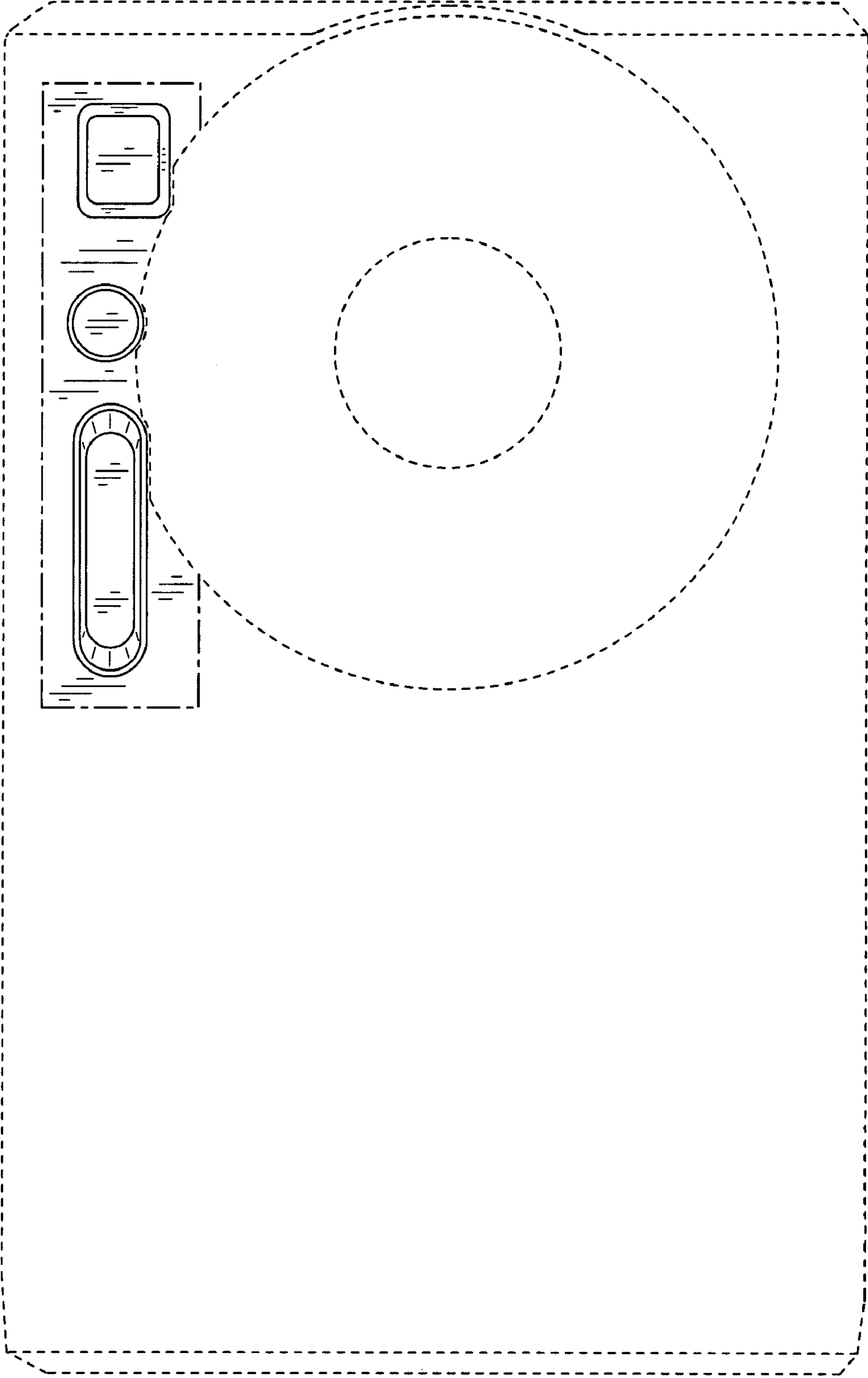


Fig.3

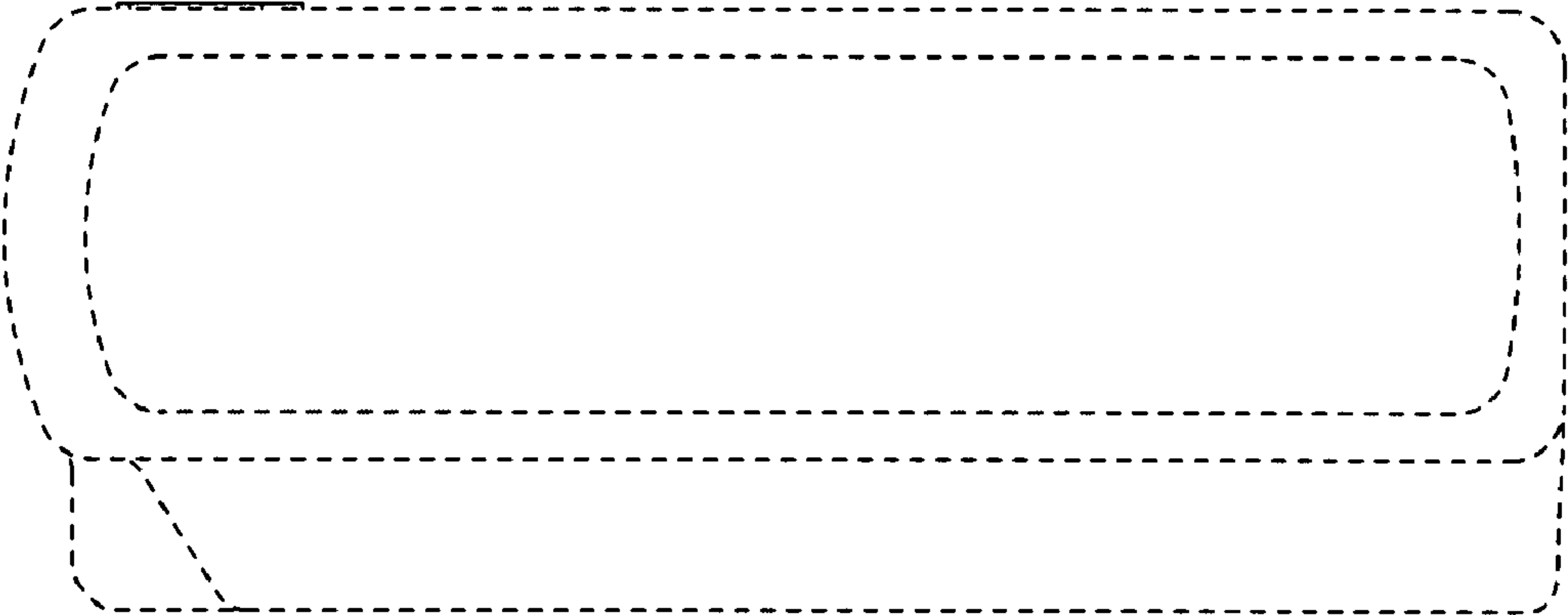


Fig.4

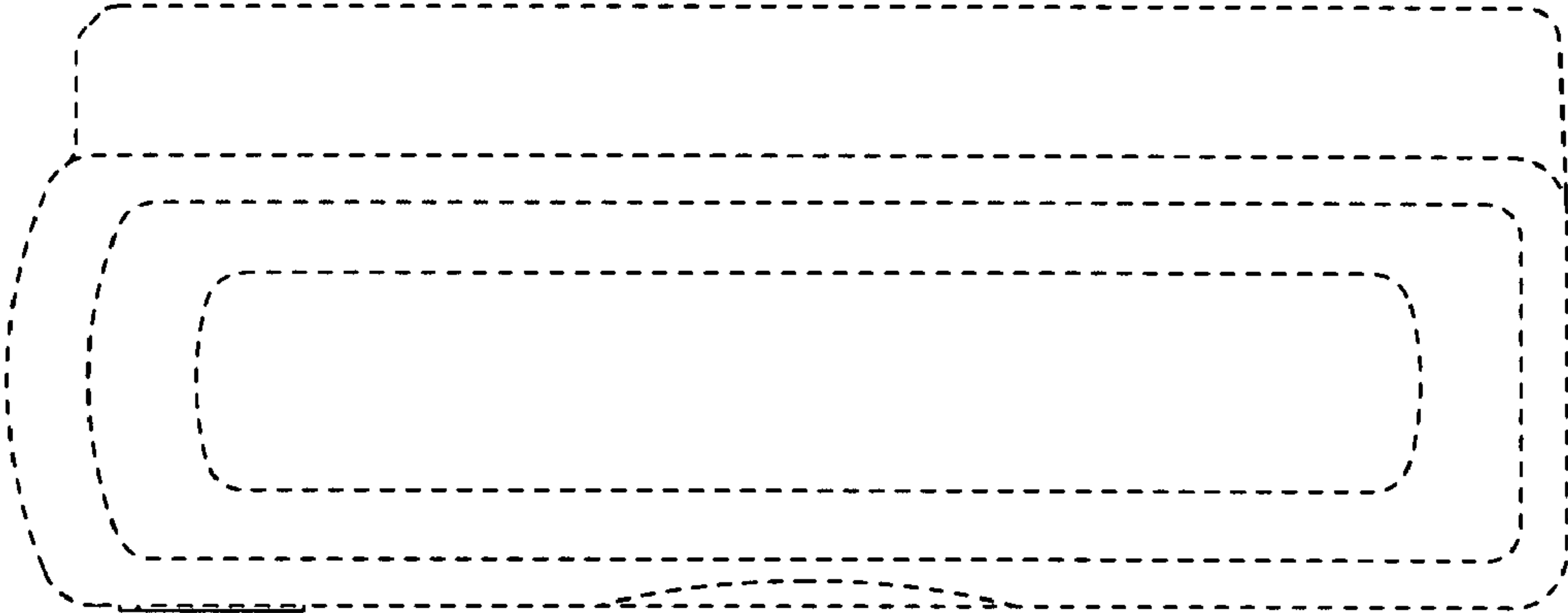


Fig.5

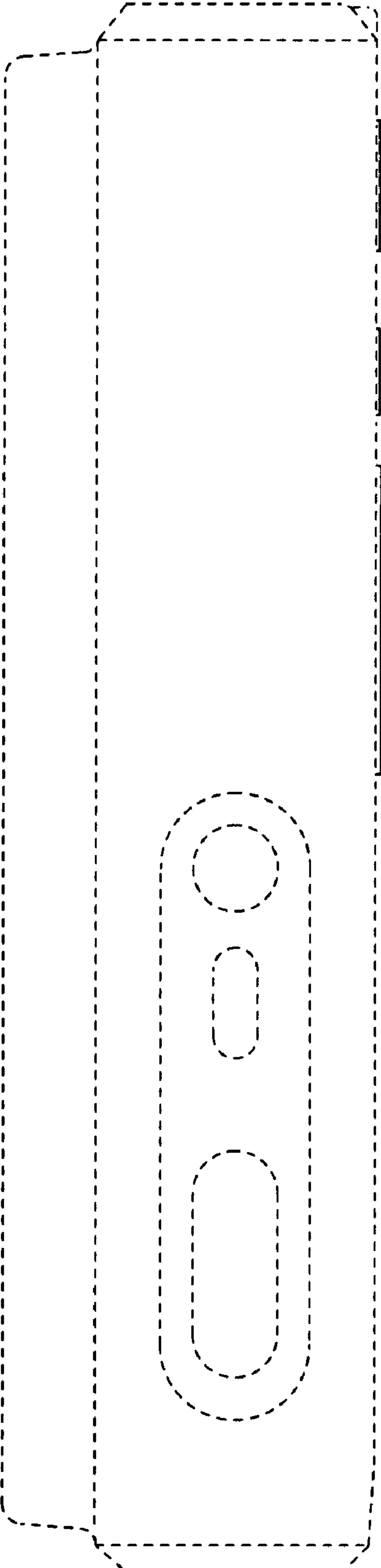


Fig.6

