



US00D574870S

(12) **United States Design Patent**
Takahashi

(10) **Patent No.:** **US D574,870 S**

(45) **Date of Patent:** **** Aug. 12, 2008**

(54) **VIDEO CAMERA**

(75) Inventor: **Hitoshi Takahashi**, Tokyo (JP)

(73) Assignee: **Sony Corporation**, Tokyo (JP)

(**) Term: **14 Years**

(21) Appl. No.: **29/287,281**

(22) Filed: **Jul. 19, 2007**

(51) **LOC (8) Cl.** **16-01**

(52) **U.S. Cl.** **D16/203; D16/202**

(58) **Field of Classification Search** D16/200–205,
D16/208, 218; 348/143, 151, 373–376; 358/906,
358/909.1; 396/427, 535, 536–541
See application file for complete search history.

(56) **References Cited**

U.S. PATENT DOCUMENTS

- D478,108 S * 8/2003 Miyazaki D16/202
- D487,764 S * 3/2004 Adachi et al. D16/203
- 6,705,774 B2 * 3/2004 Tashiro et al. 396/427
- D502,196 S 2/2005 Miyazaki
- D517,585 S * 3/2006 Iino et al. D16/203
- D518,080 S * 3/2006 Uehara D16/203
- D542,319 S 5/2007 Ishida et al.

- D545,860 S 7/2007 Miyazaki
- D556,803 S * 12/2007 Ishida D16/203
- D562,868 S * 2/2008 Cho et al. D16/202

FOREIGN PATENT DOCUMENTS

JP D1264147 S 3/2006

* cited by examiner

Primary Examiner—Adir Aronovich

(74) *Attorney, Agent, or Firm*—Rader, Fishman & Grauer, PLLC

(57) **CLAIM**

The ornamental design for a video camera, as shown.

DESCRIPTION

FIG. 1 is a front right top perspective view of a video camera showing my new design;

FIG. 2 is a front elevational view thereof;

FIG. 3 is a rear elevation view thereof;

FIG. 4 is a left side elevational view thereof;

FIG. 5 is a right side elevational view thereof;

FIG. 6 is a top plan view thereof; and,

FIG. 7 is a bottom plan view thereof.

1 Claim, 7 Drawing Sheets

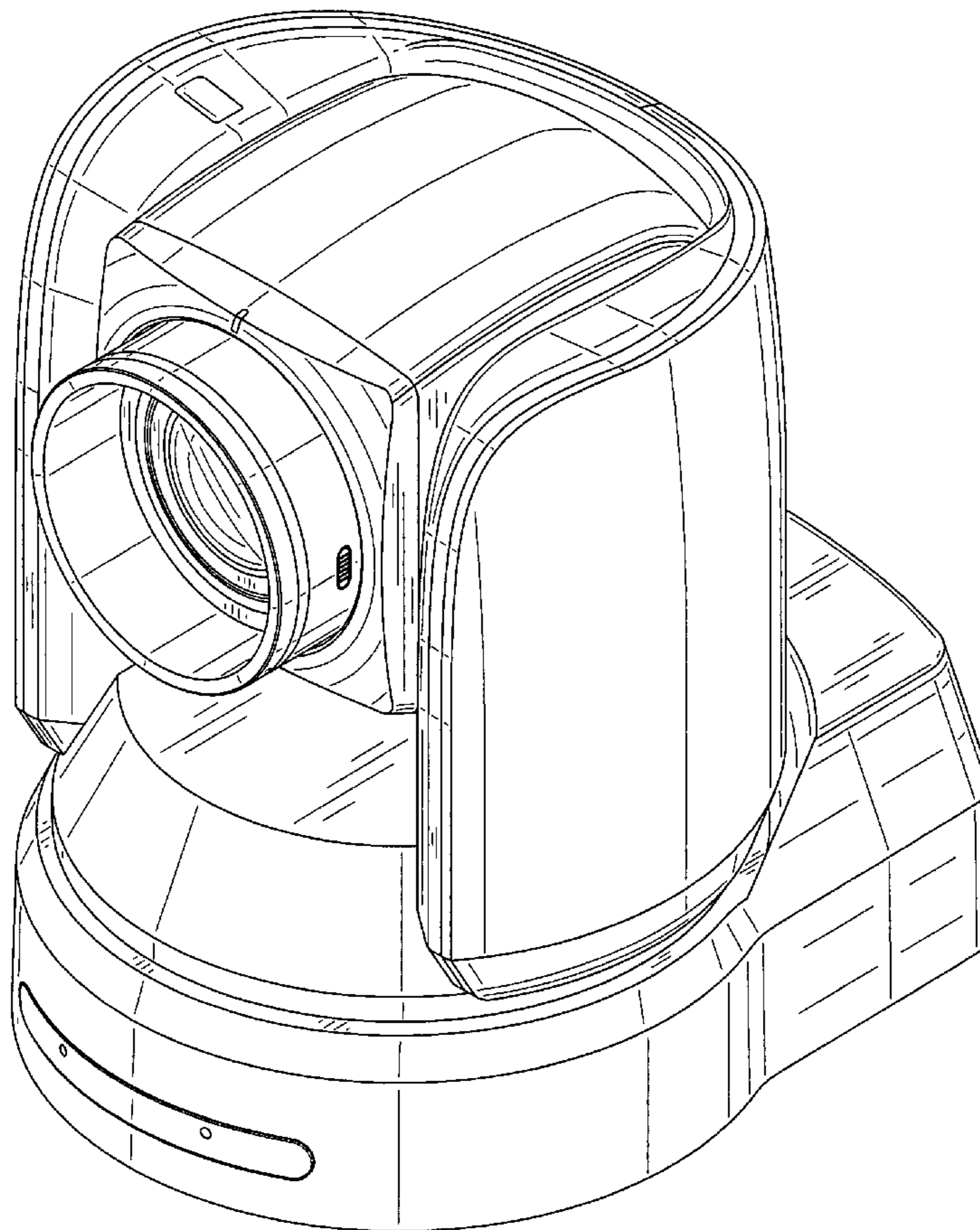


Fig. 1

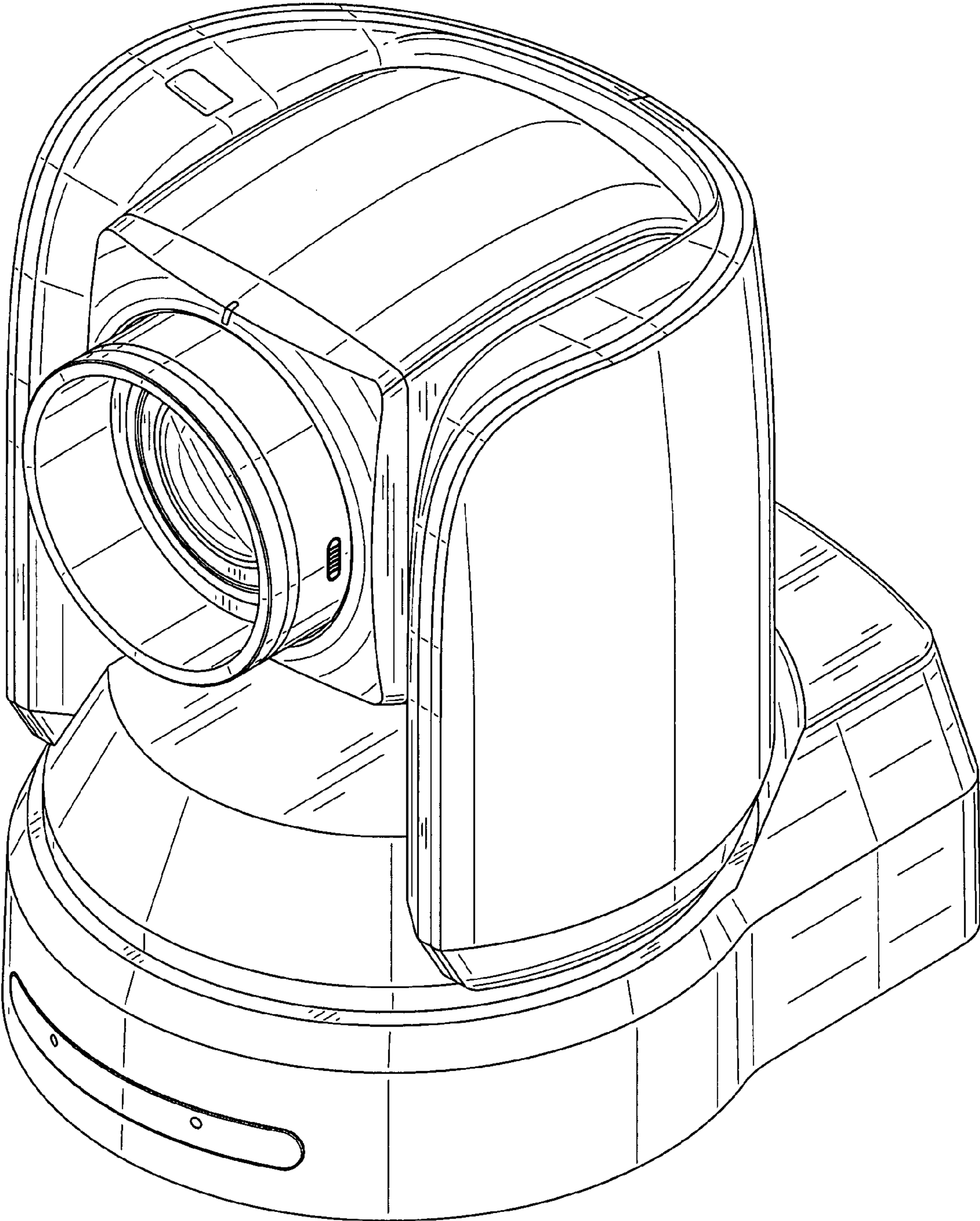


Fig.2

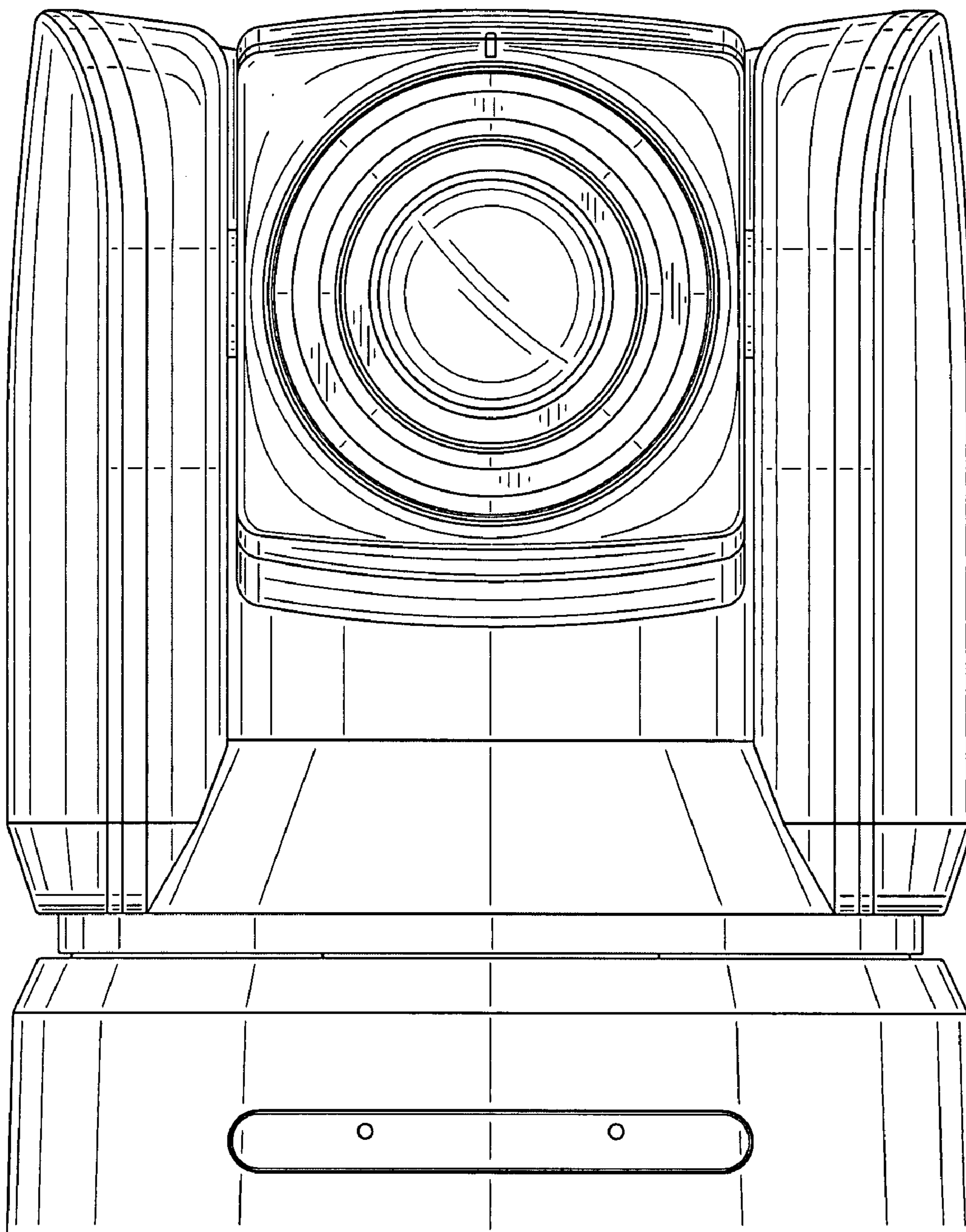


Fig.3

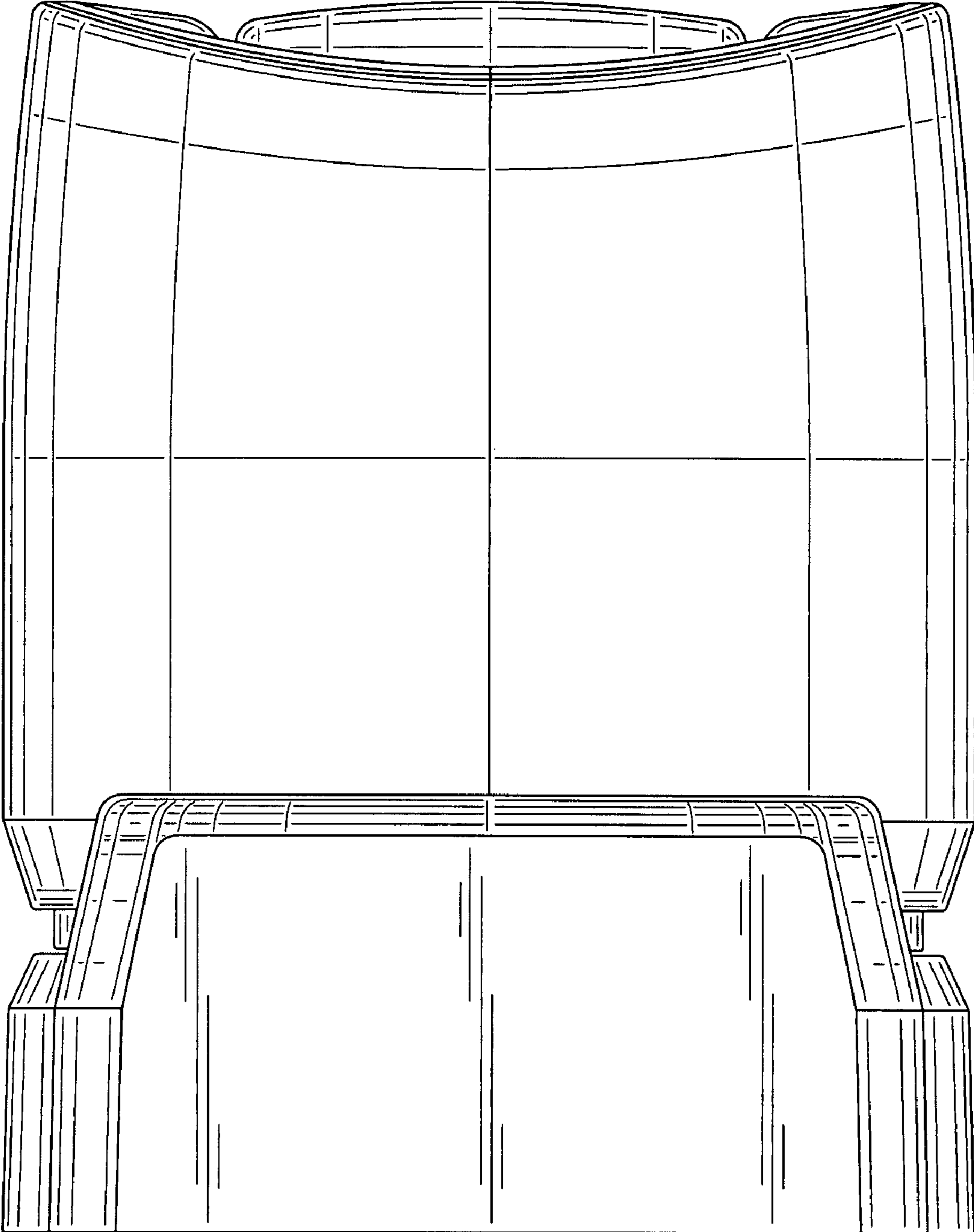


Fig.4

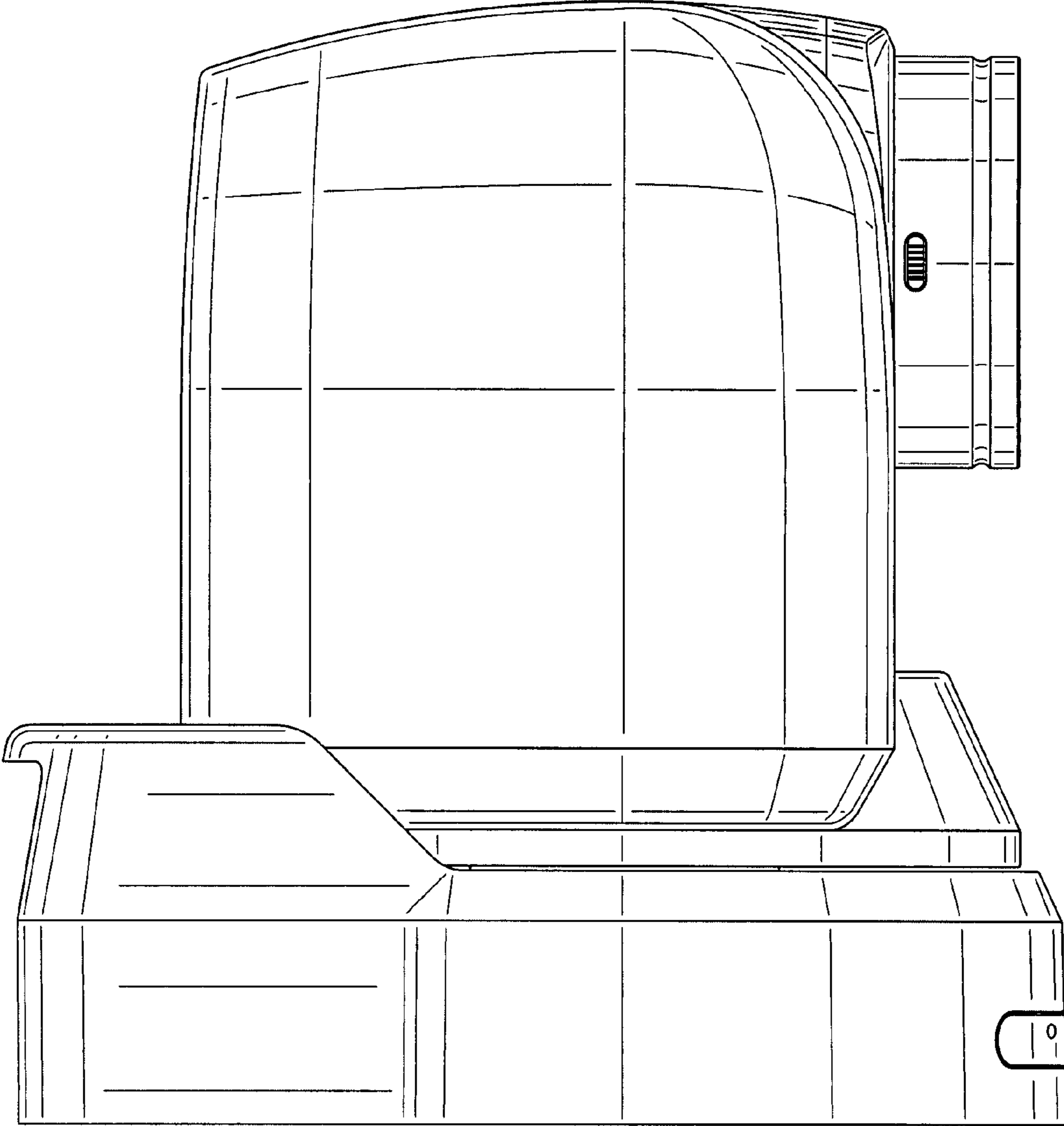


Fig.5

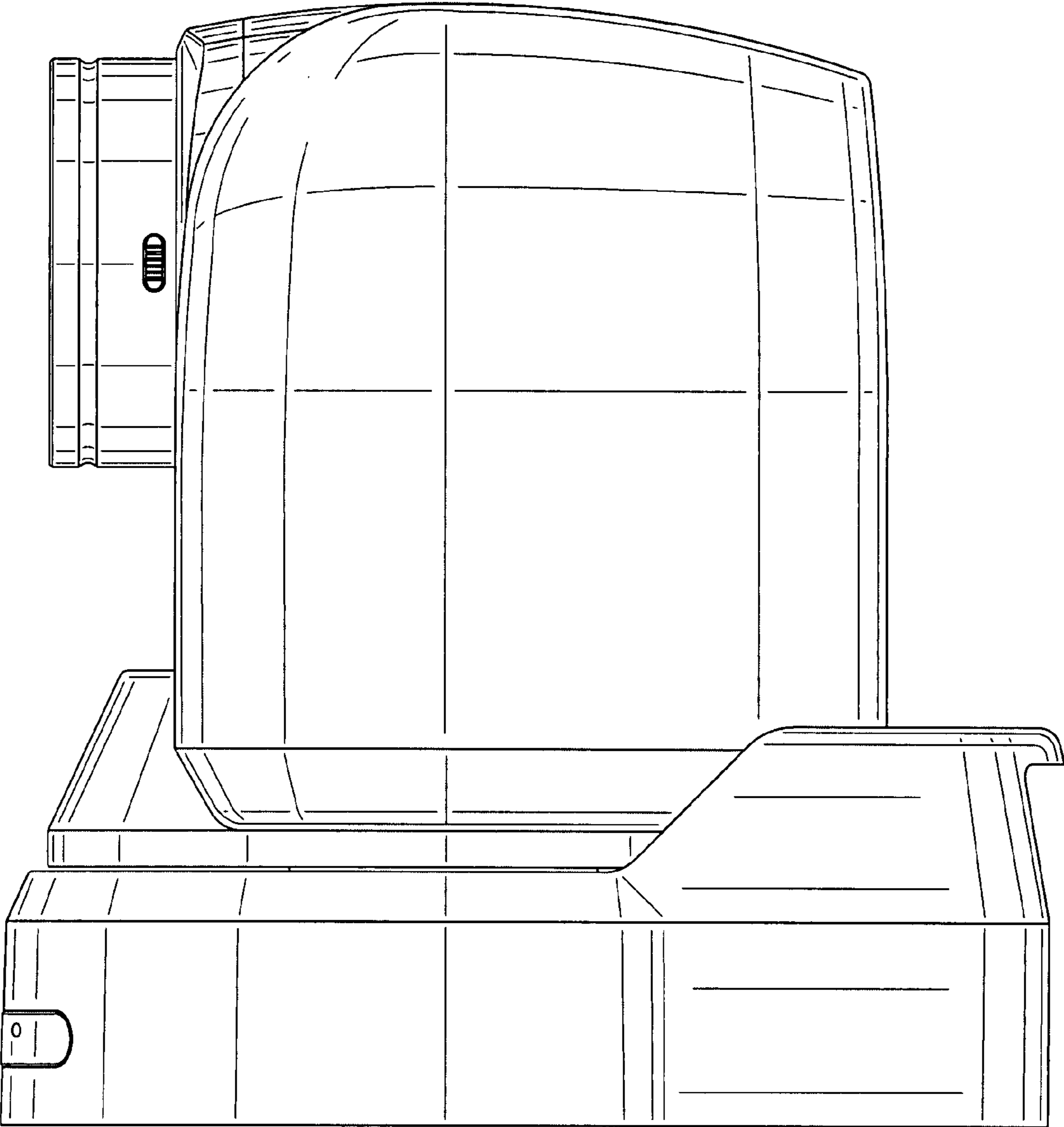


Fig.6

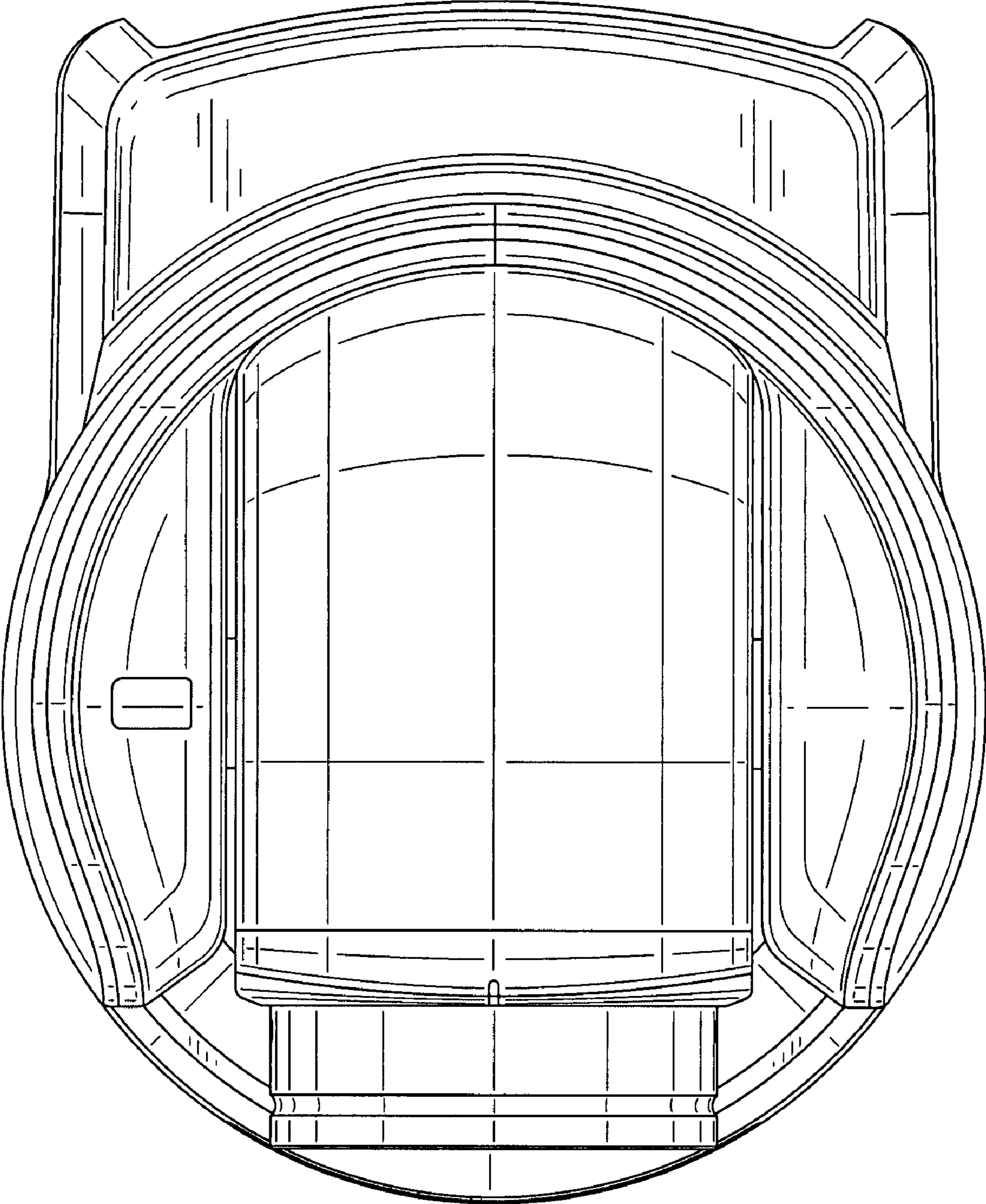


Fig.7

