



US00D574869S

(12) **United States Design Patent**
Baba et al.

(10) **Patent No.:** **US D574,869 S**

(45) **Date of Patent:** **** Aug. 12, 2008**

(54) **DIGITAL CAMERA**

(75) Inventors: **Kenji Baba**, Seongnam-si (KR);
Sung-hwa Chang, Seoul (KR);
Seung-seup Yoo, Seoul (KR)

(73) Assignee: **Samsung Techwin Co., Ltd.**, Changwon (KR)

(**) Term: **14 Years**

(21) Appl. No.: **29/286,190**

(22) Filed: **Apr. 26, 2007**

(30) **Foreign Application Priority Data**

Nov. 15, 2006 (KR) 30-2006-0045514

(51) **LOC (8) Cl.** **16-01**

(52) **U.S. Cl.** **D16/202**

(58) **Field of Classification Search** D16/200-204,
D16/208, 218; 348/373-376; 358/909.1;
396/6, 535-541

See application file for complete search history.

(56) **References Cited**

U.S. PATENT DOCUMENTS

D535,314 S * 1/2007 Chang D16/202

D548,252 S * 8/2007 Tajima D16/202
D562,373 S * 2/2008 Nakamura D16/202
D562,867 S * 2/2008 Inaba D16/202
D566,153 S * 4/2008 Katsuraku D16/218
2006/0125933 A1 * 6/2006 Kim 348/375

* cited by examiner

Primary Examiner—Adir Aronovich

(74) *Attorney, Agent, or Firm*—Drinker Biddle & Reath LLP

(57) **CLAIM**

We claim the ornamental design for a digital camera, as shown and described.

DESCRIPTION

FIG. 1 is a perspective view of a digital camera;
FIG. 2 is a front elevational view of the digital camera;
FIG. 3 is a rear elevational view of the digital camera;
FIG. 4 is a left side elevational view of the digital camera;
FIG. 5 is a right side elevational view of the digital camera;
FIG. 6 is a top plan view of the digital camera;
FIG. 7 is a bottom plan view of the digital camera; and,
FIG. 8 is a bottom and rear perspective view of the digital camera.

1 Claim, 5 Drawing Sheets

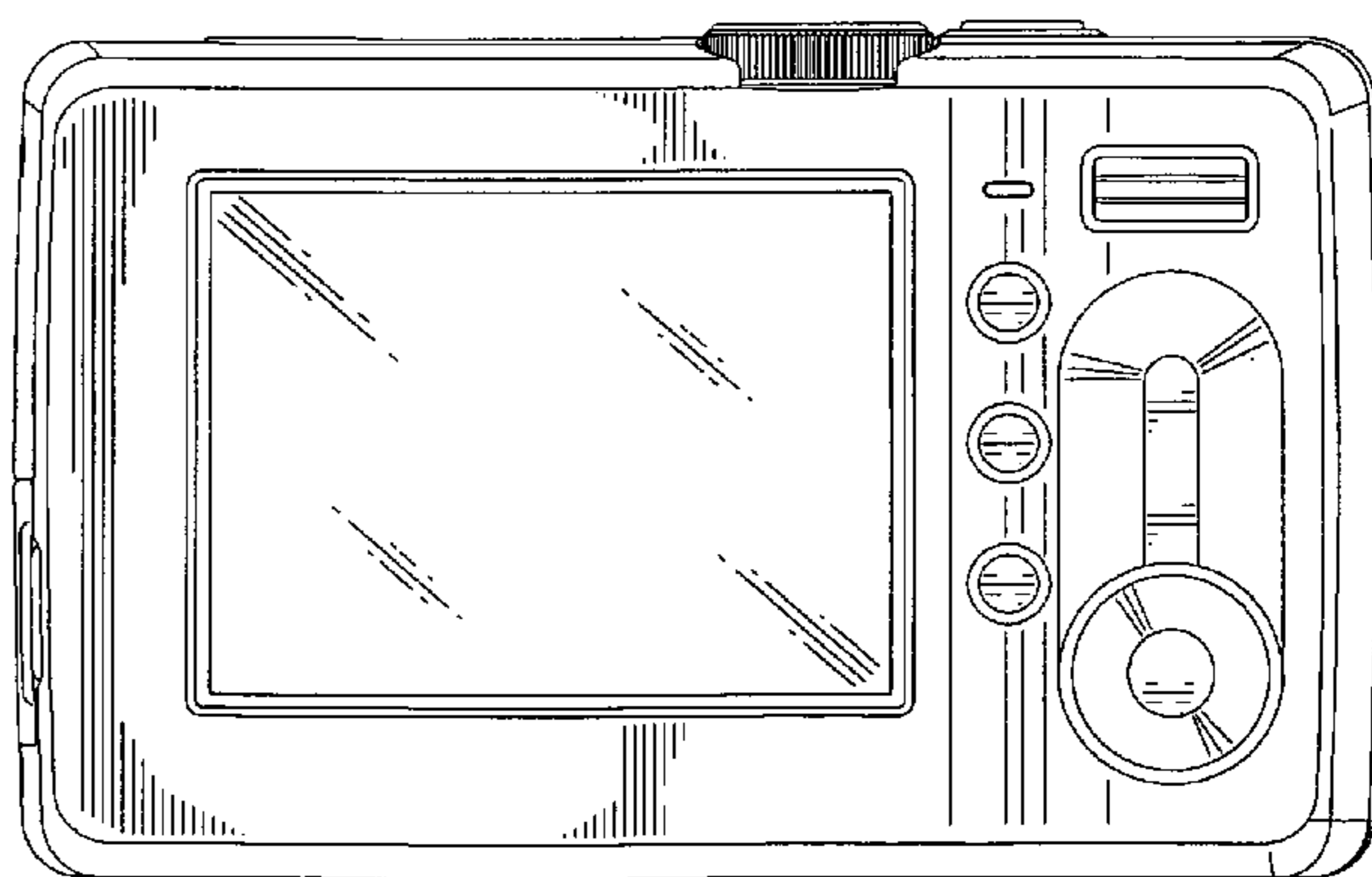
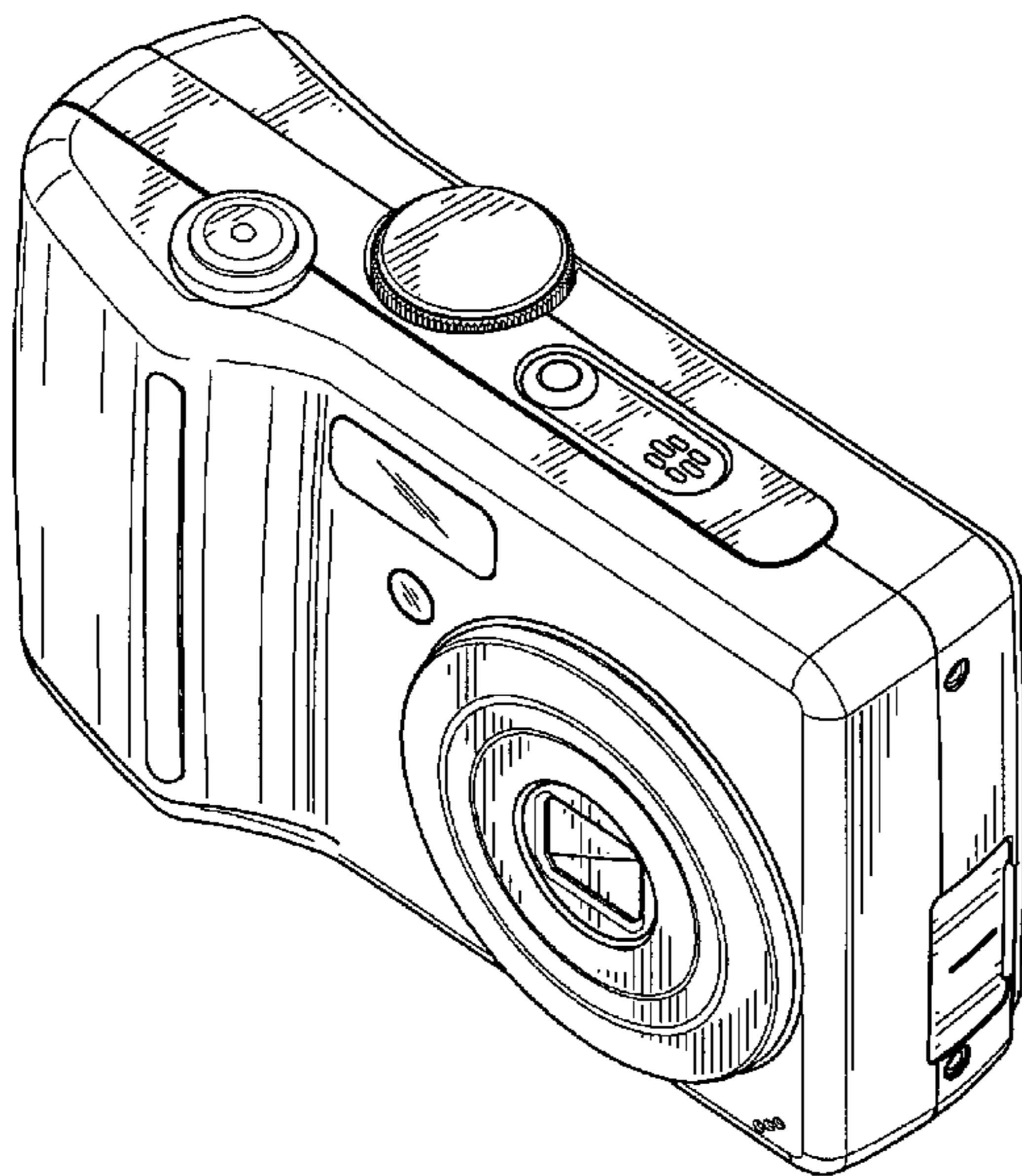


FIG. 1

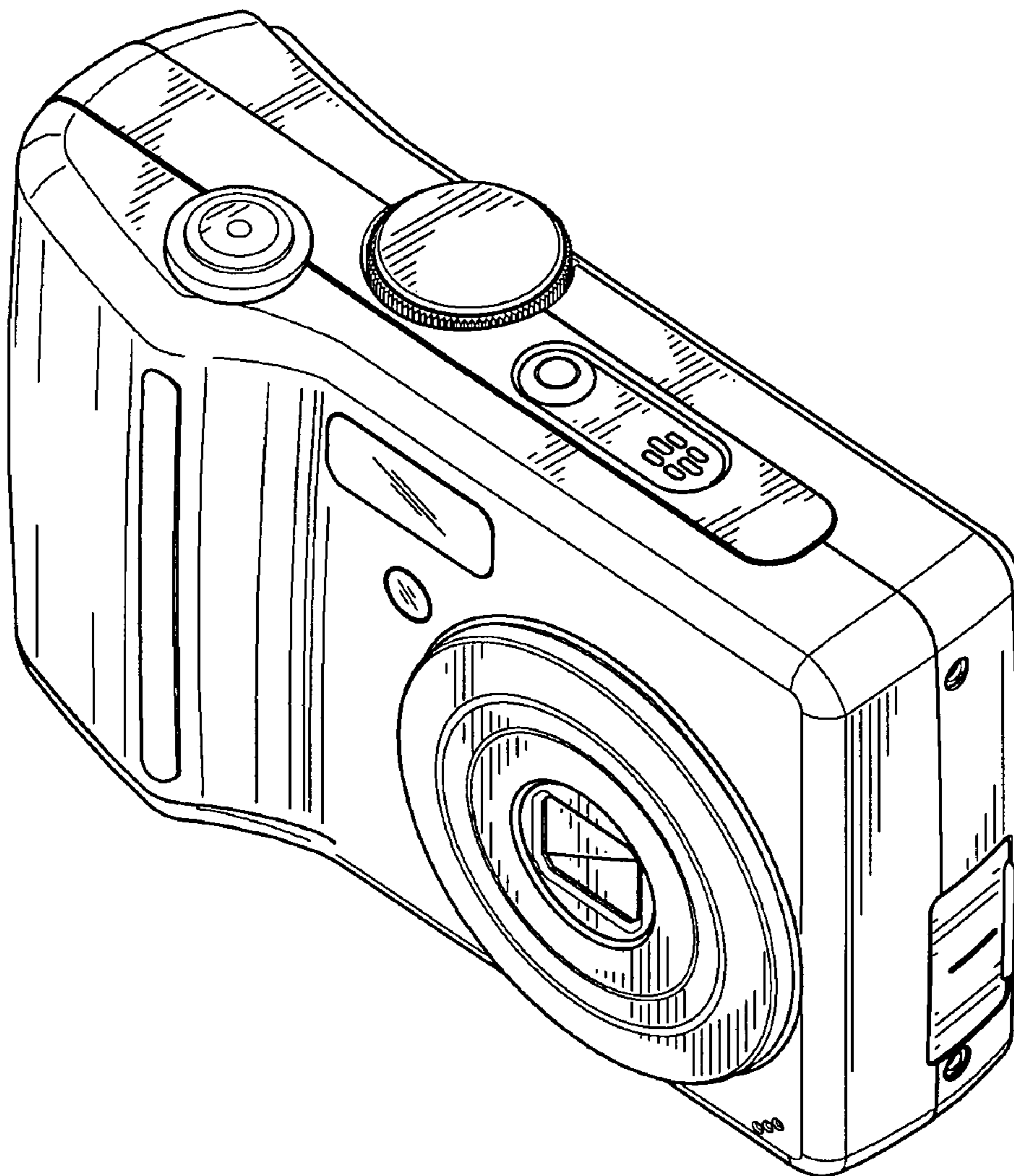


FIG. 2

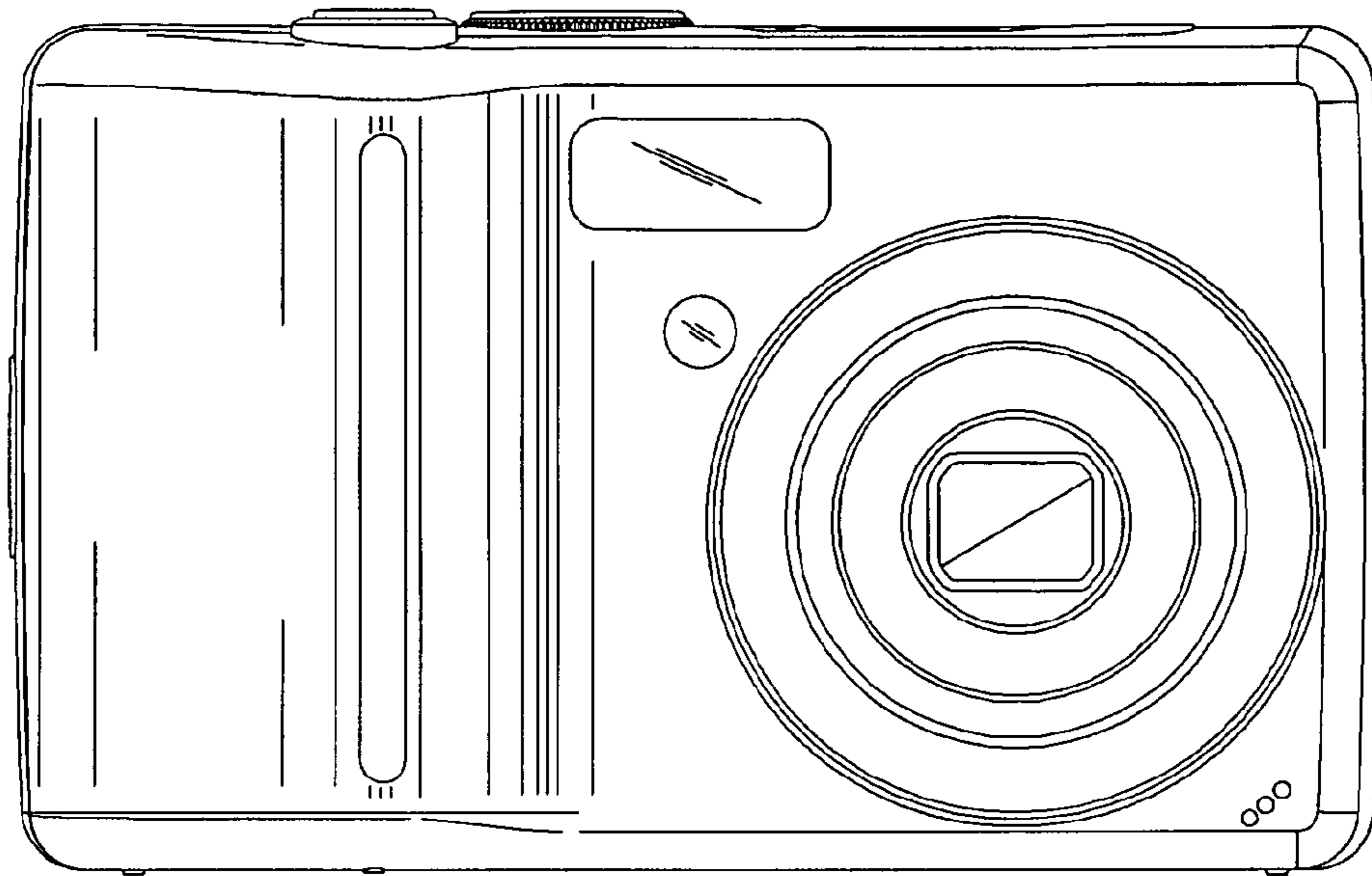


FIG. 3

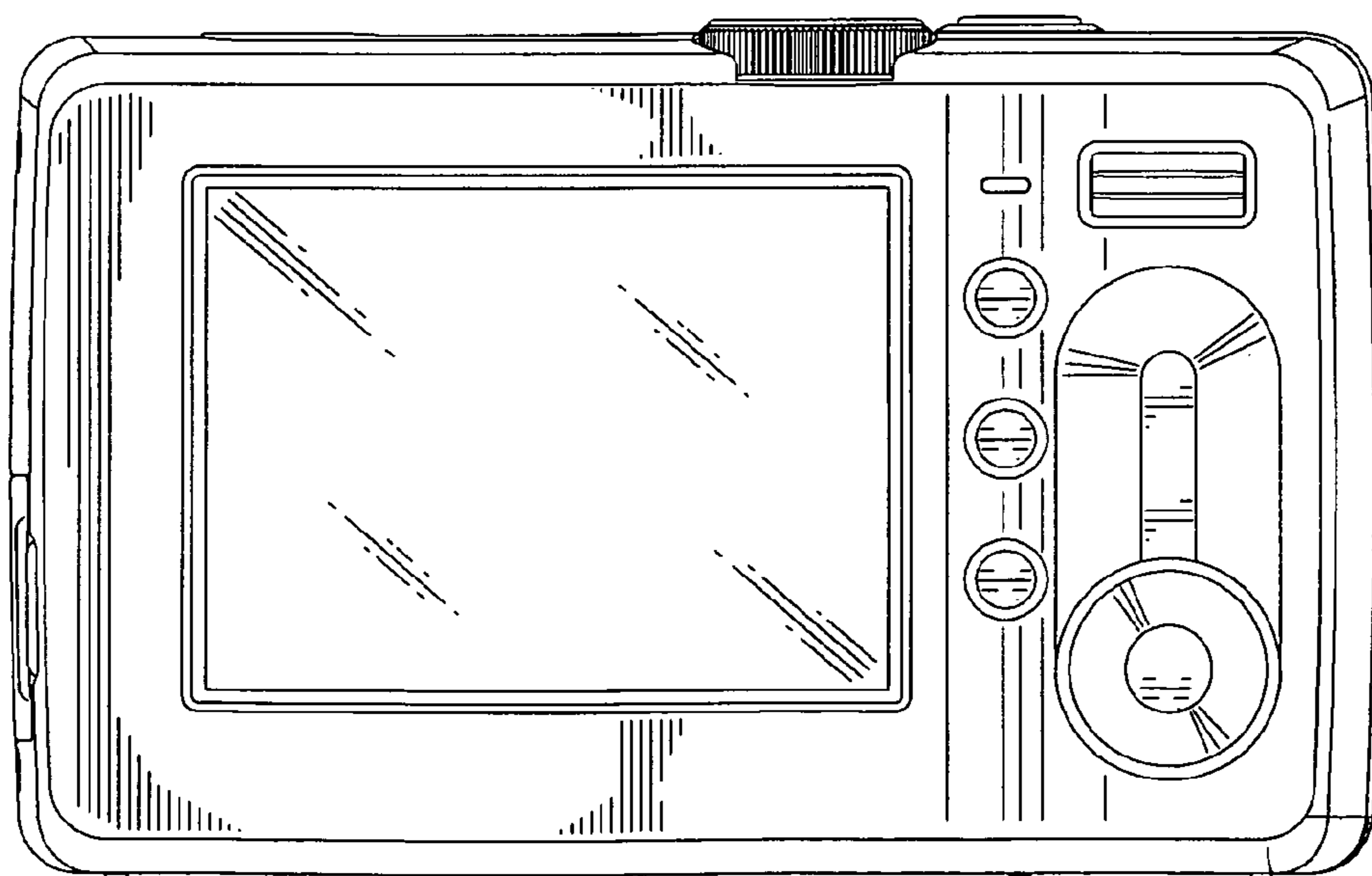


FIG. 4

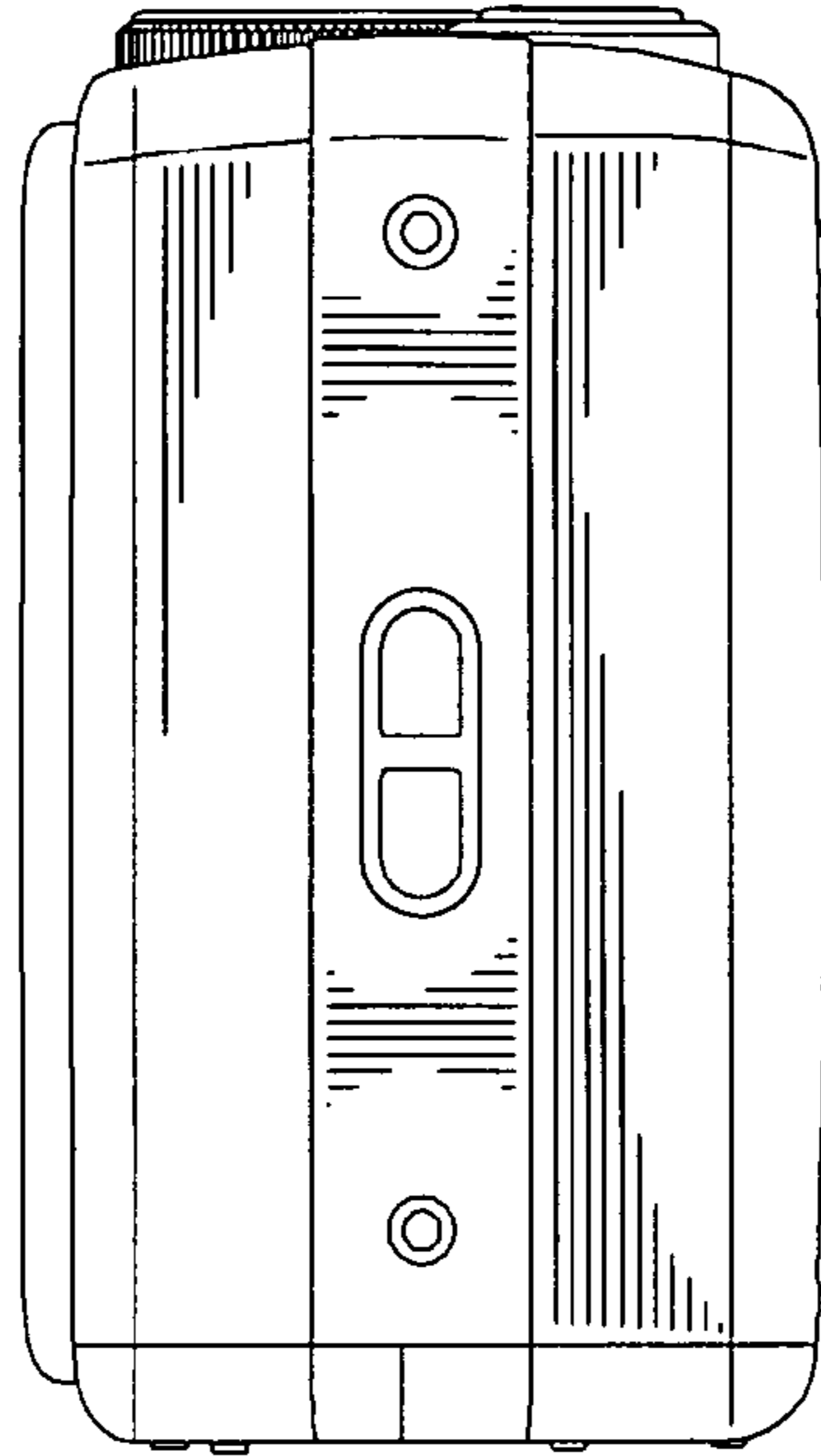


FIG. 5

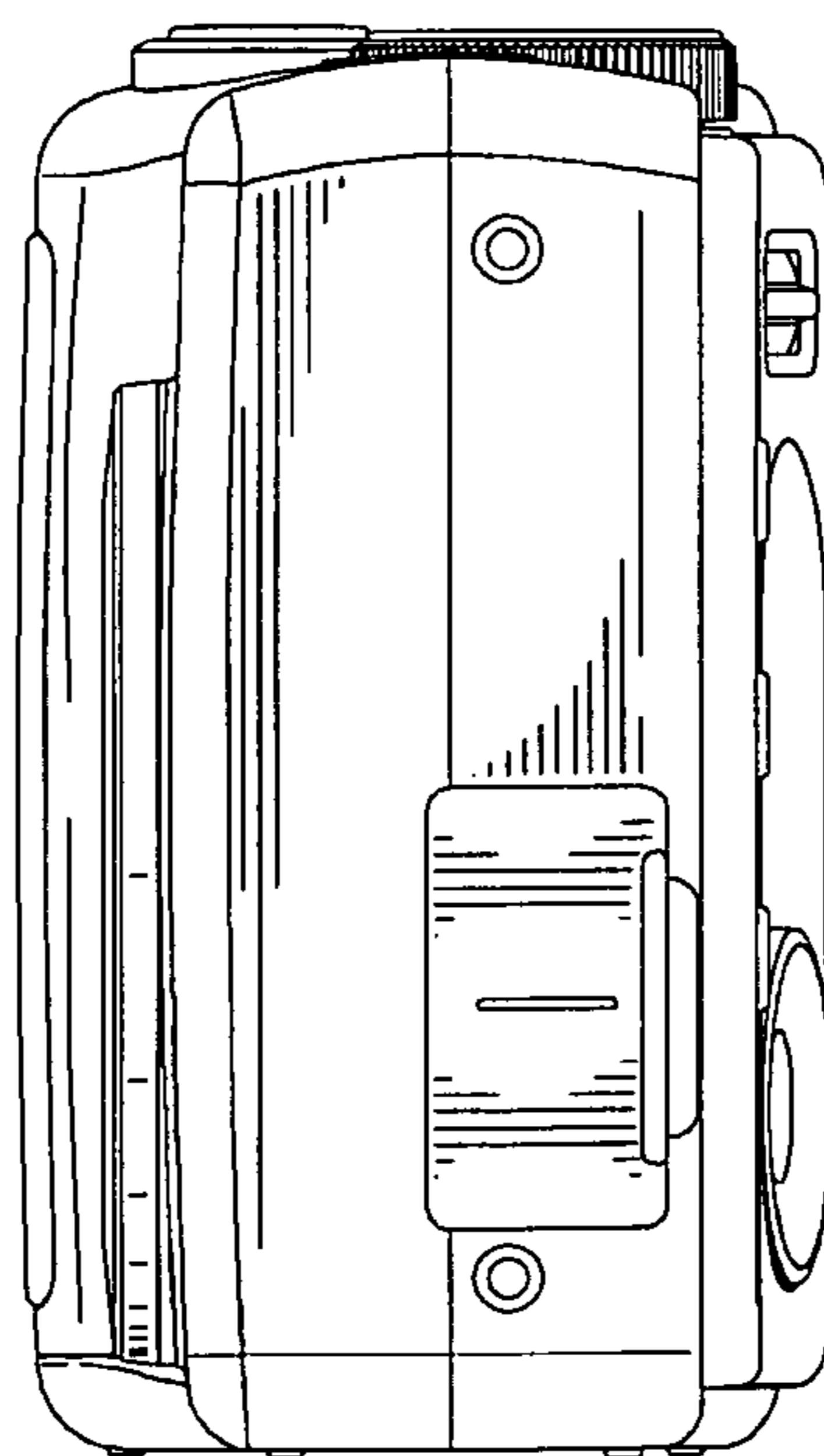


FIG. 6

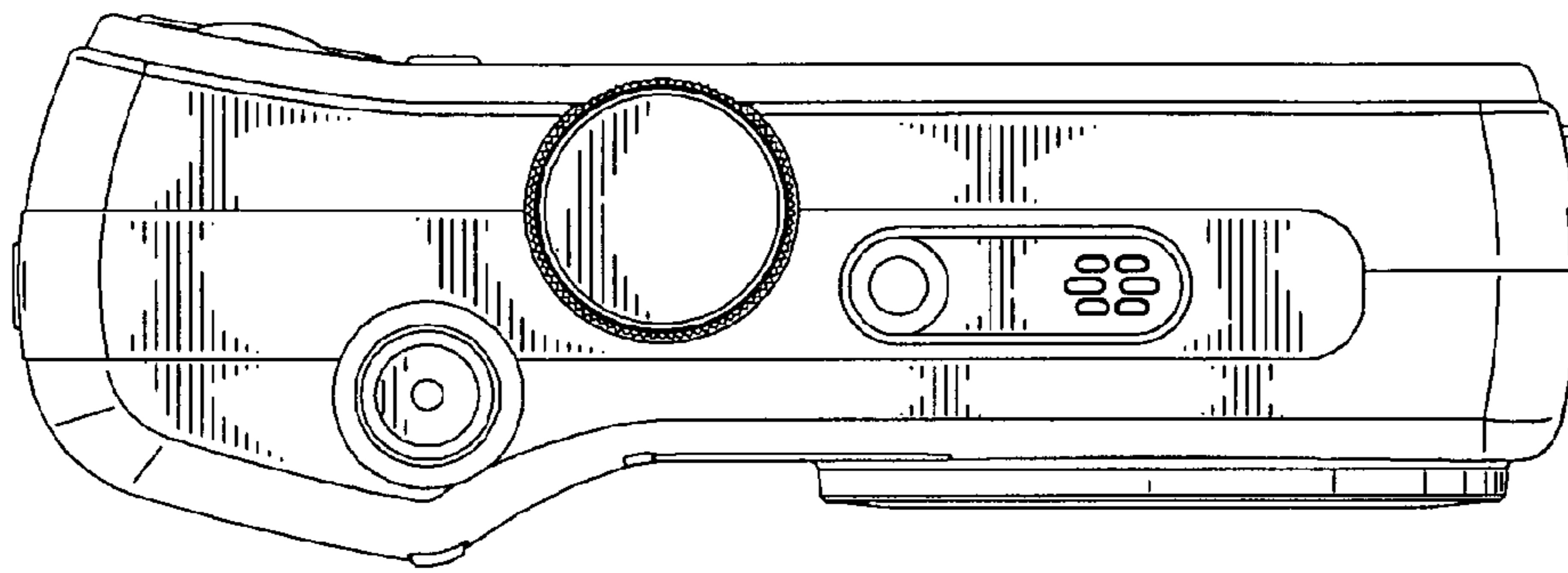


FIG. 7

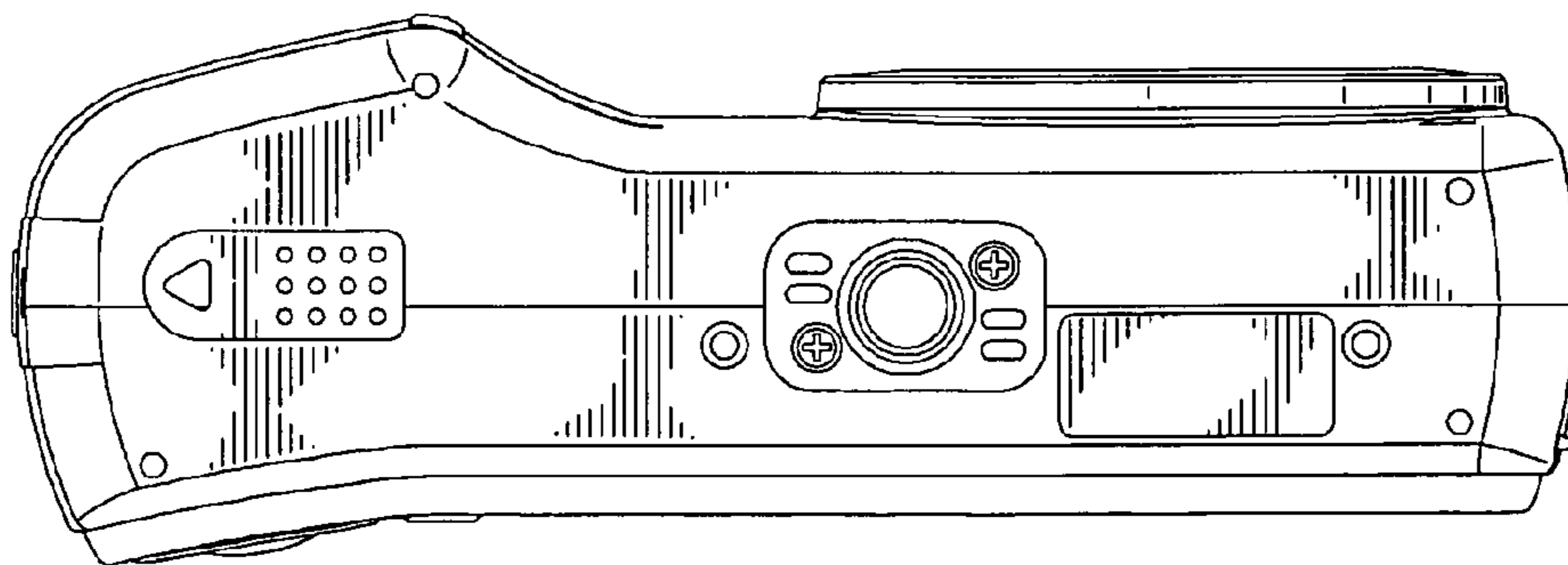


FIG. 8

