



US00D574868S

(12) **United States Design Patent**
Hayamizu

(10) **Patent No.:** **US D574,868 S**

(45) **Date of Patent:** **** Aug. 12, 2008**

(54) **DIGITAL CAMERA**

(75) Inventor: **Eiji Hayamizu**, Tokyo (JP)

(73) Assignee: **PENTAX Corporation**, Tokyo (JP)

(**) Term: **14 Years**

(21) Appl. No.: **29/281,180**

(22) Filed: **Jun. 18, 2007**

(30) **Foreign Application Priority Data**

Dec. 21, 2006 (JP) 2006-035138

(51) **LOC (8) Cl.** **16-01**

(52) **U.S. Cl.** **D16/202**

(58) **Field of Classification Search** D16/200–205,
D16/208, 209, 218; 348/373–376; 358/909.1;
396/536–541

See application file for complete search history.

(56) **References Cited**

U.S. PATENT DOCUMENTS

D528,579 S *	9/2006	Yasutomi	D16/202
D537,093 S *	2/2007	Nakamura	D16/202
D545,335 S *	6/2007	Kanno	D16/218
7,231,800 B2 *	6/2007	Kappali	72/379.2
D547,343 S *	7/2007	Sato	D16/202
2005/0057685 A1 *	3/2005	Yamaguchi	348/375
2006/0125933 A1 *	6/2006	Kim	348/375

OTHER PUBLICATIONS

Design of Digital camera published on Apr. 11, 2006 through Internet (<http://www.pentax.co.jp/japan/news/2006/035139.html>).

* cited by examiner

Primary Examiner—Adir Aronovich

(74) *Attorney, Agent, or Firm*—Sughrue Mion, PLLC

(57) **CLAIM**

The ornamental design for a digital camera, as shown and described.

DESCRIPTION

FIG. 1 is perspective view of the top, front and left side of a digital camera showing my new design;

FIG. 2 is a perspective view of the bottom, rear and right side thereof;

FIG. 3 is a top plan view thereof;

FIG. 4 is a front elevational view thereof;

FIG. 5 is a rear elevational view thereof;

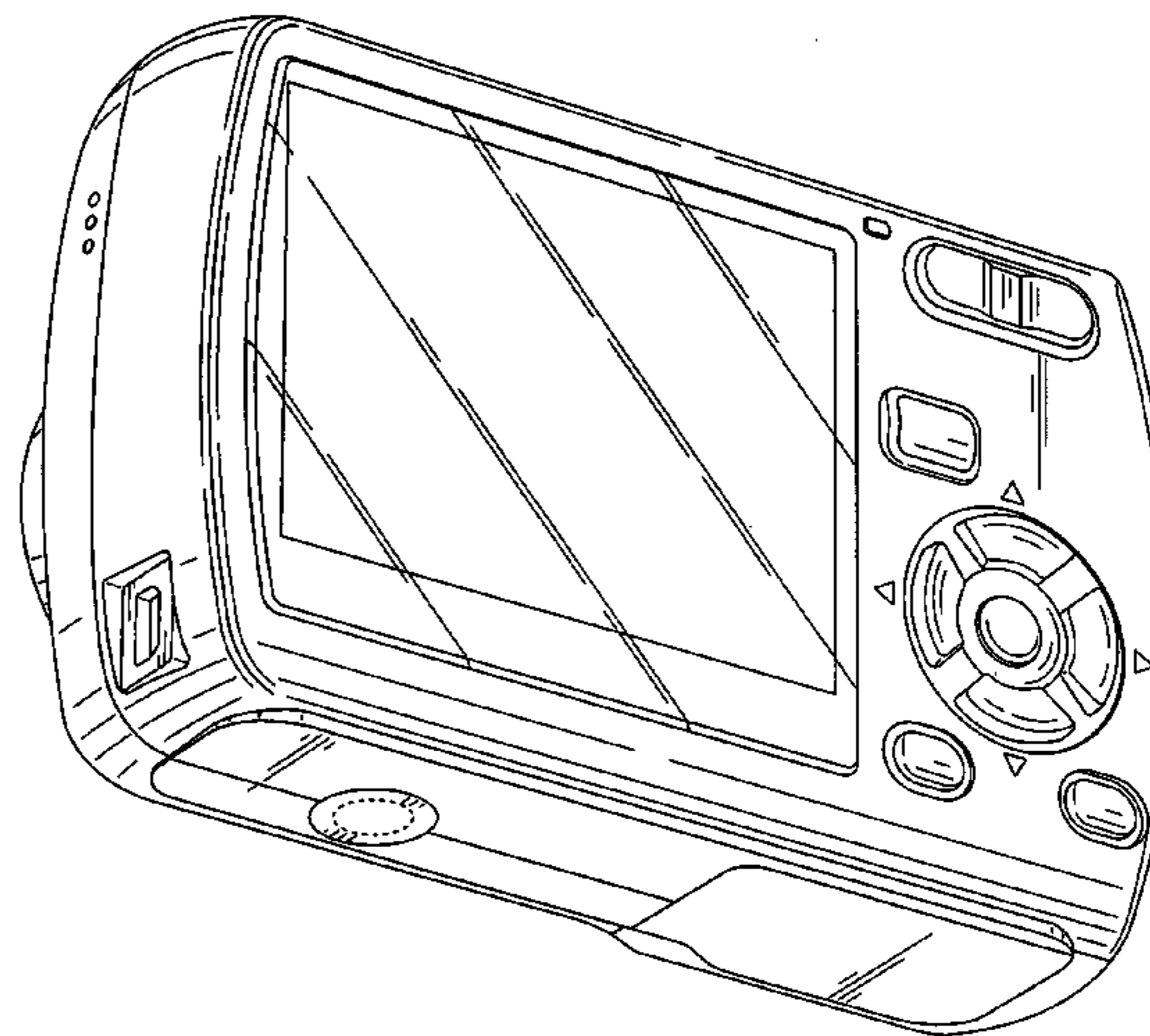
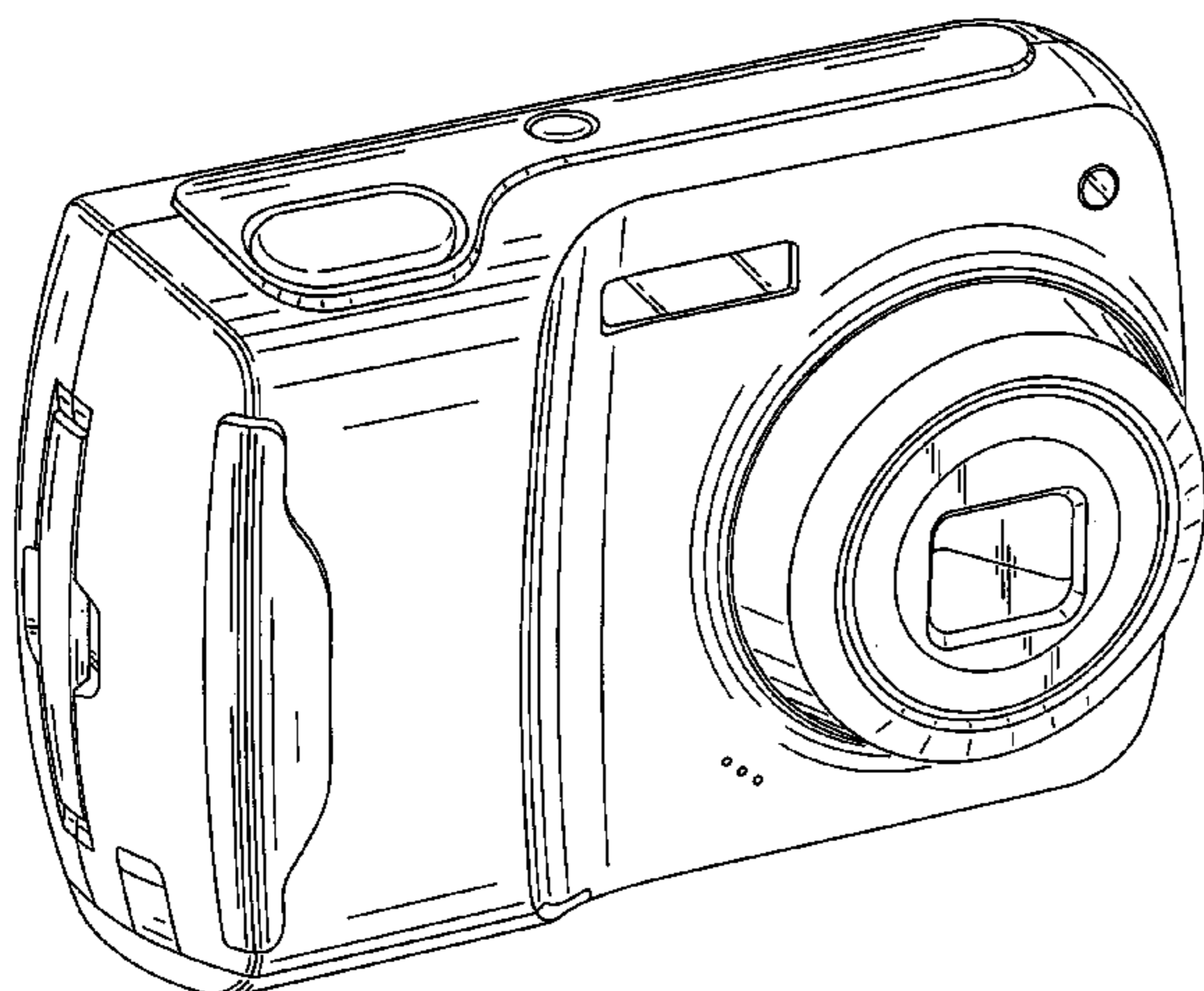
FIG. 6 is a bottom plan view thereof;

FIG. 7 is a left side elevational view thereof; and,

FIG. 8 is a right side elevational view thereof.

The portion shown in broken lines is for illustrative purposes only and forms no part of the claimed design.

1 Claim, 5 Drawing Sheets



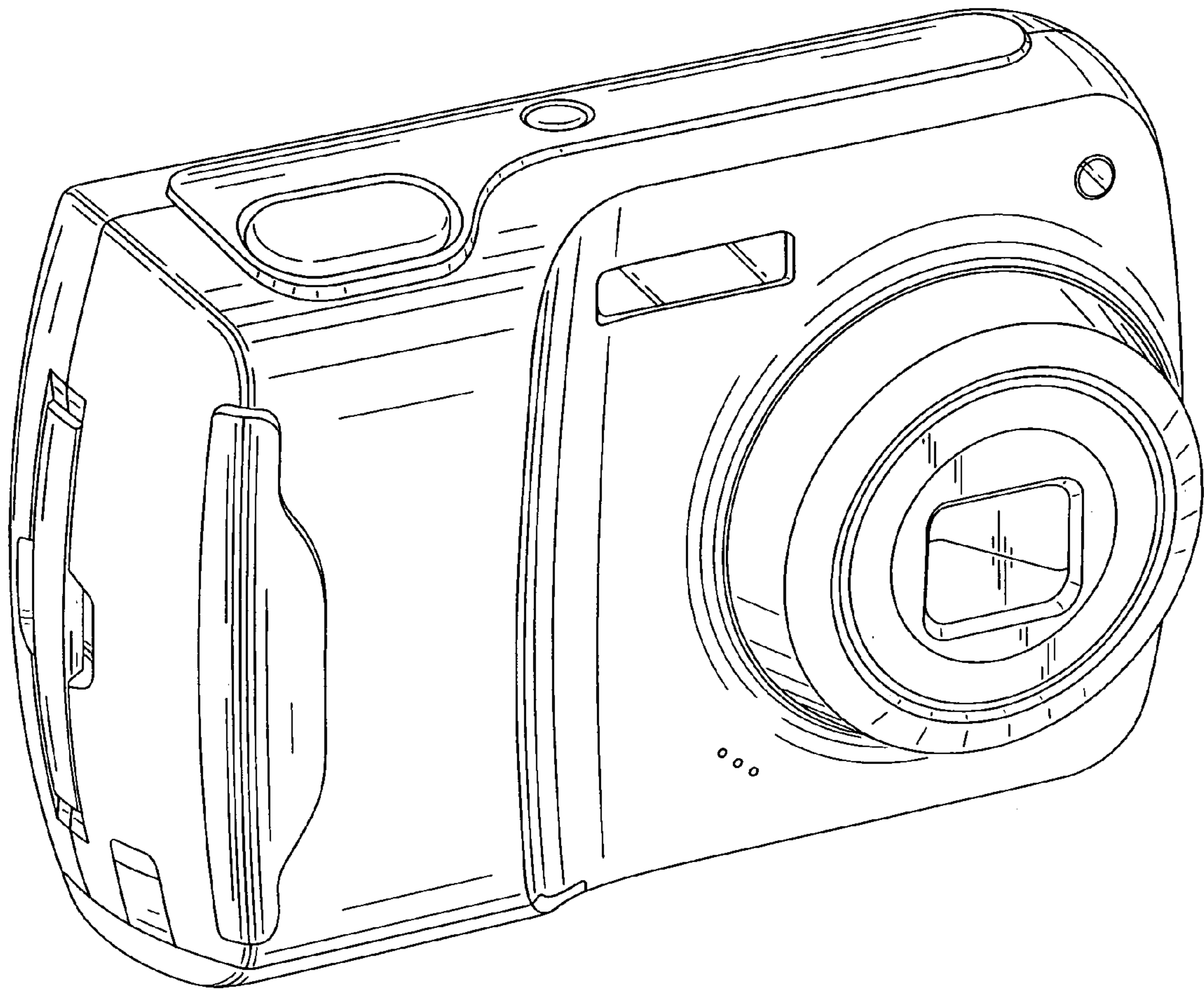


FIG. 1

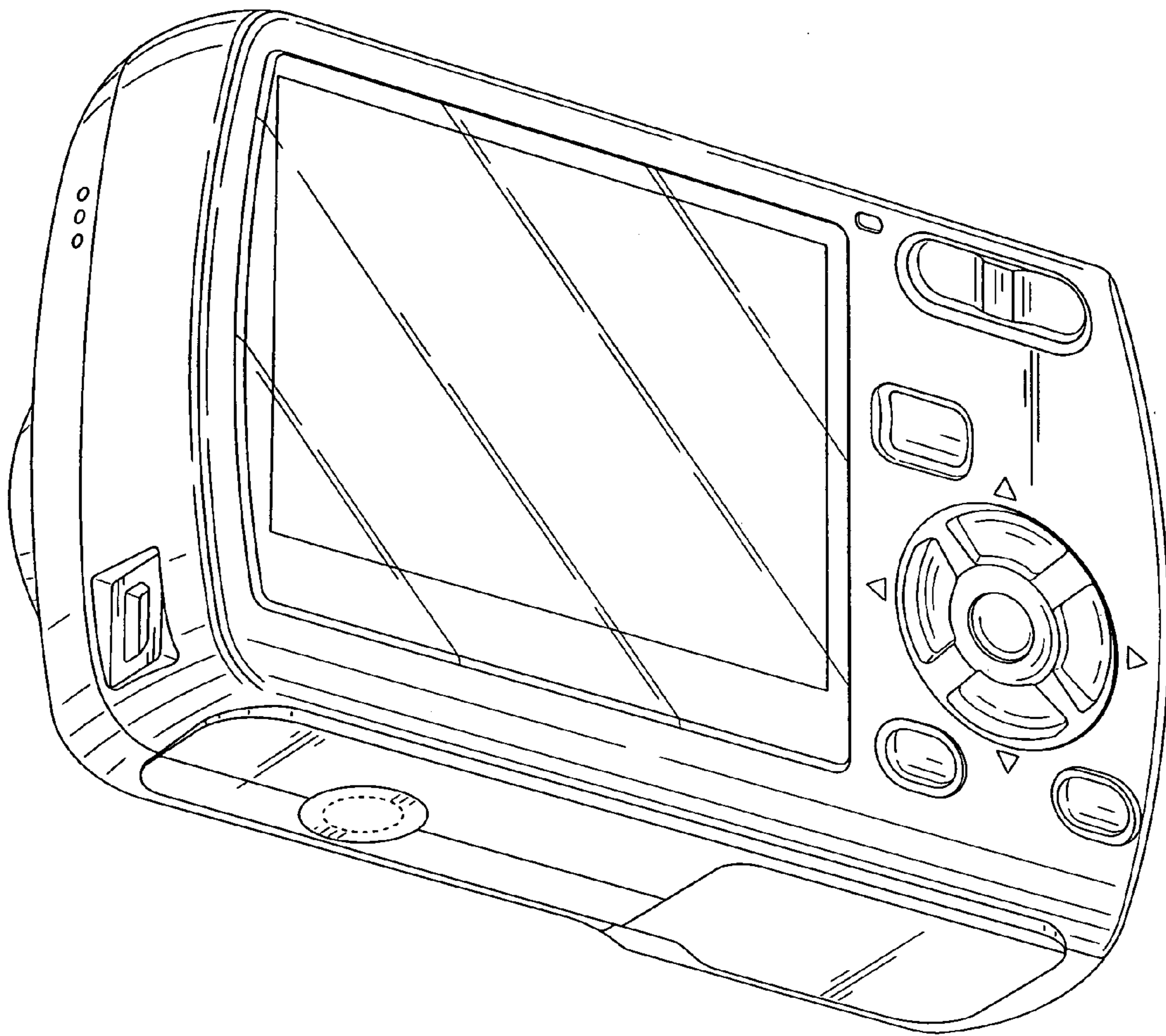


FIG. 2

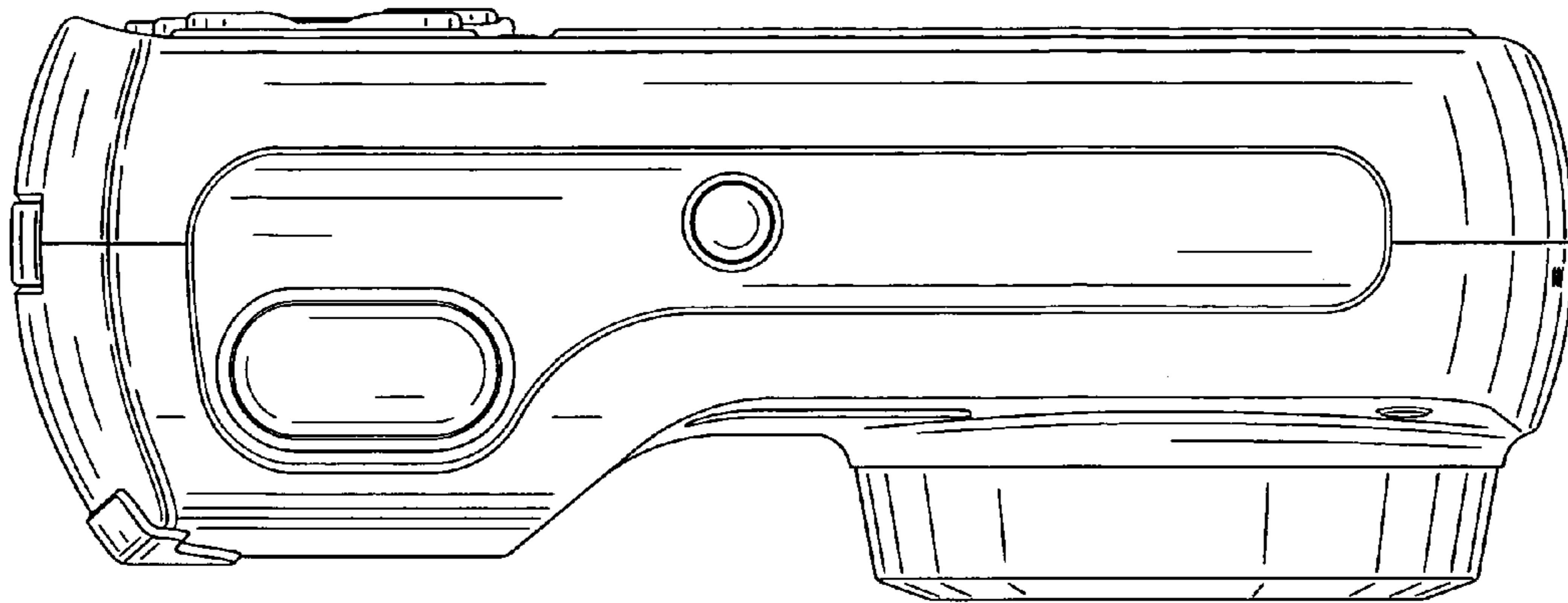


FIG. 3

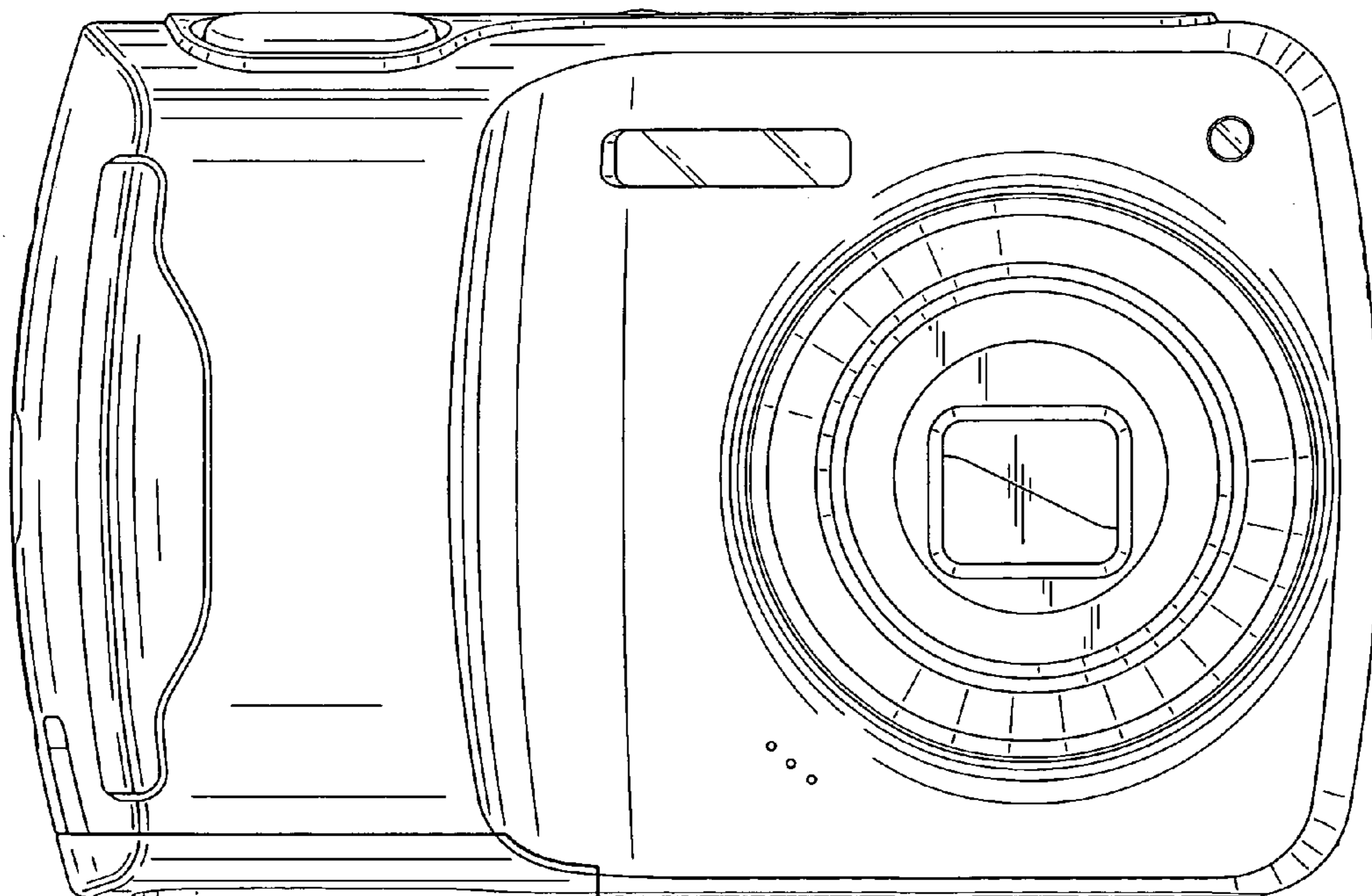


FIG. 4

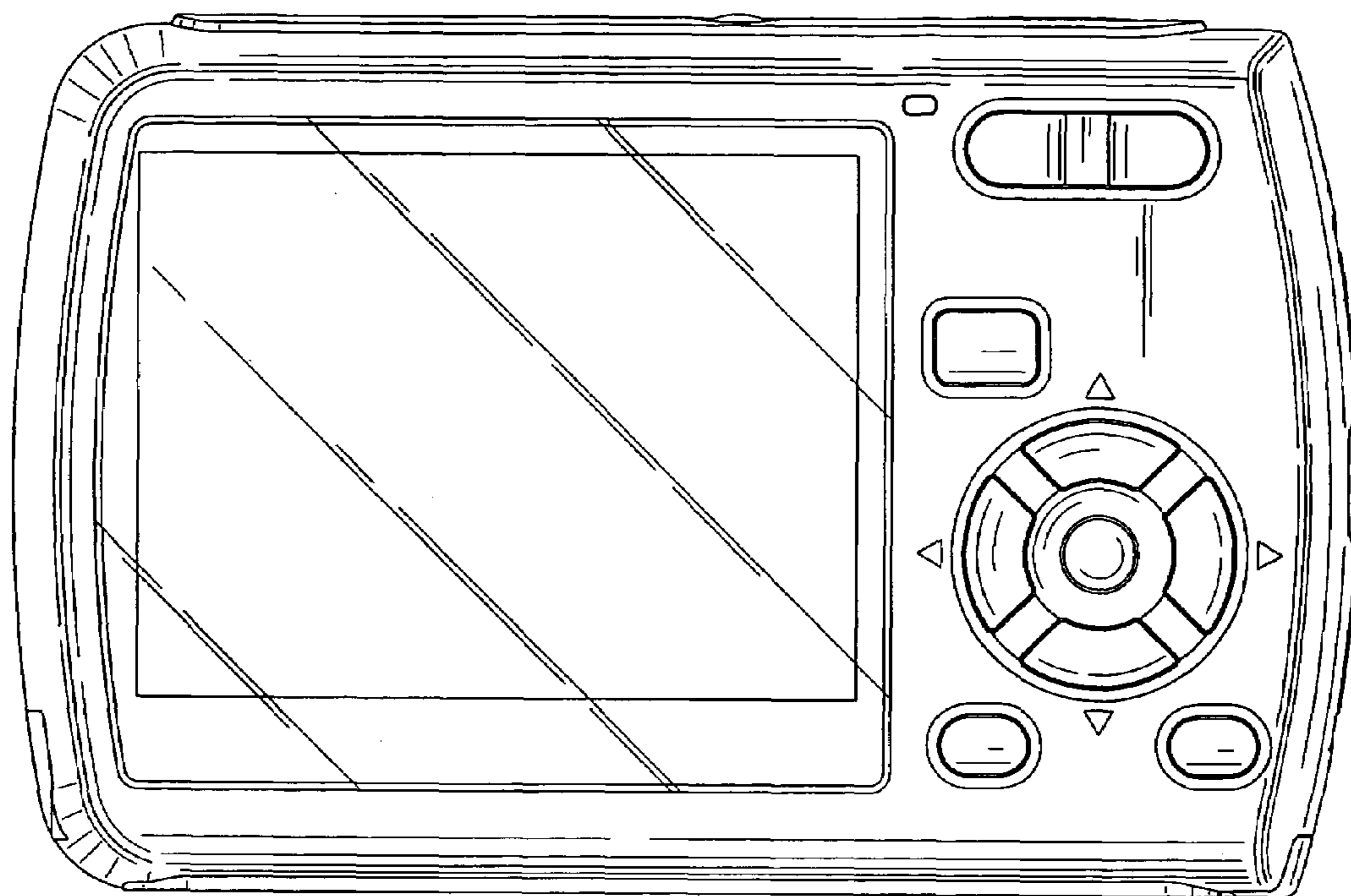


FIG. 5

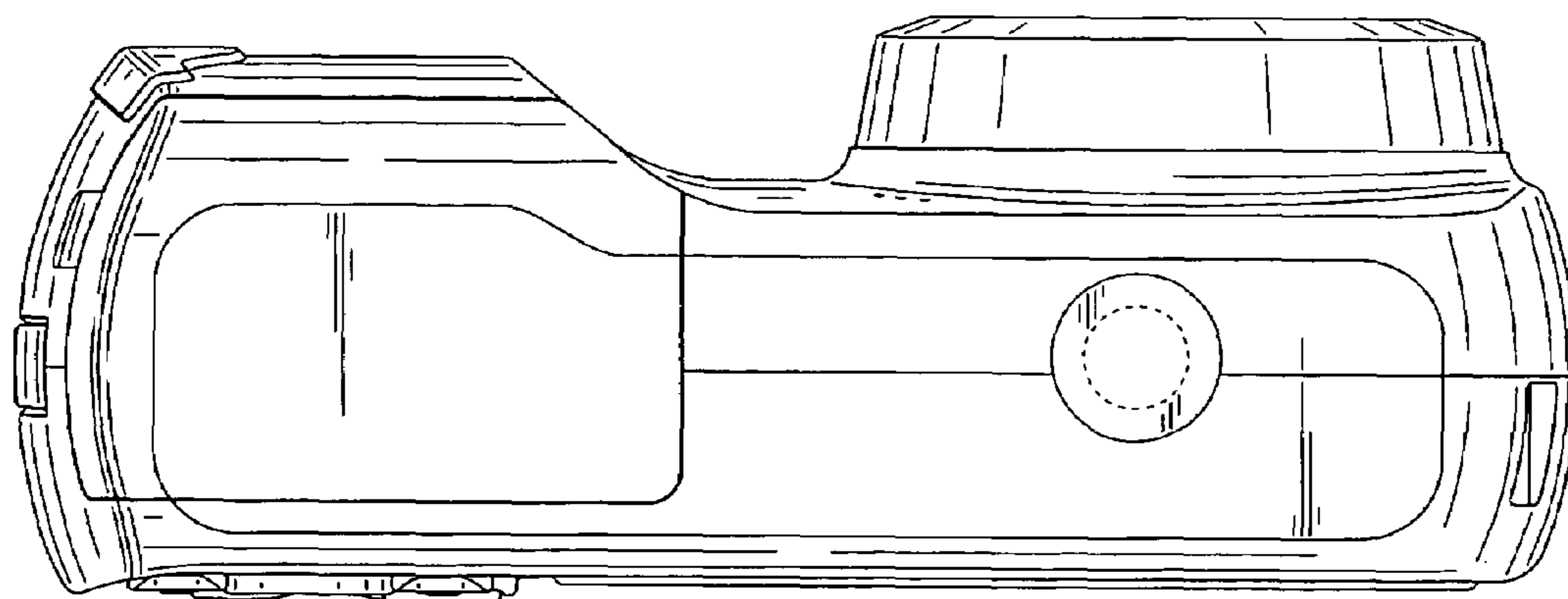


FIG. 6

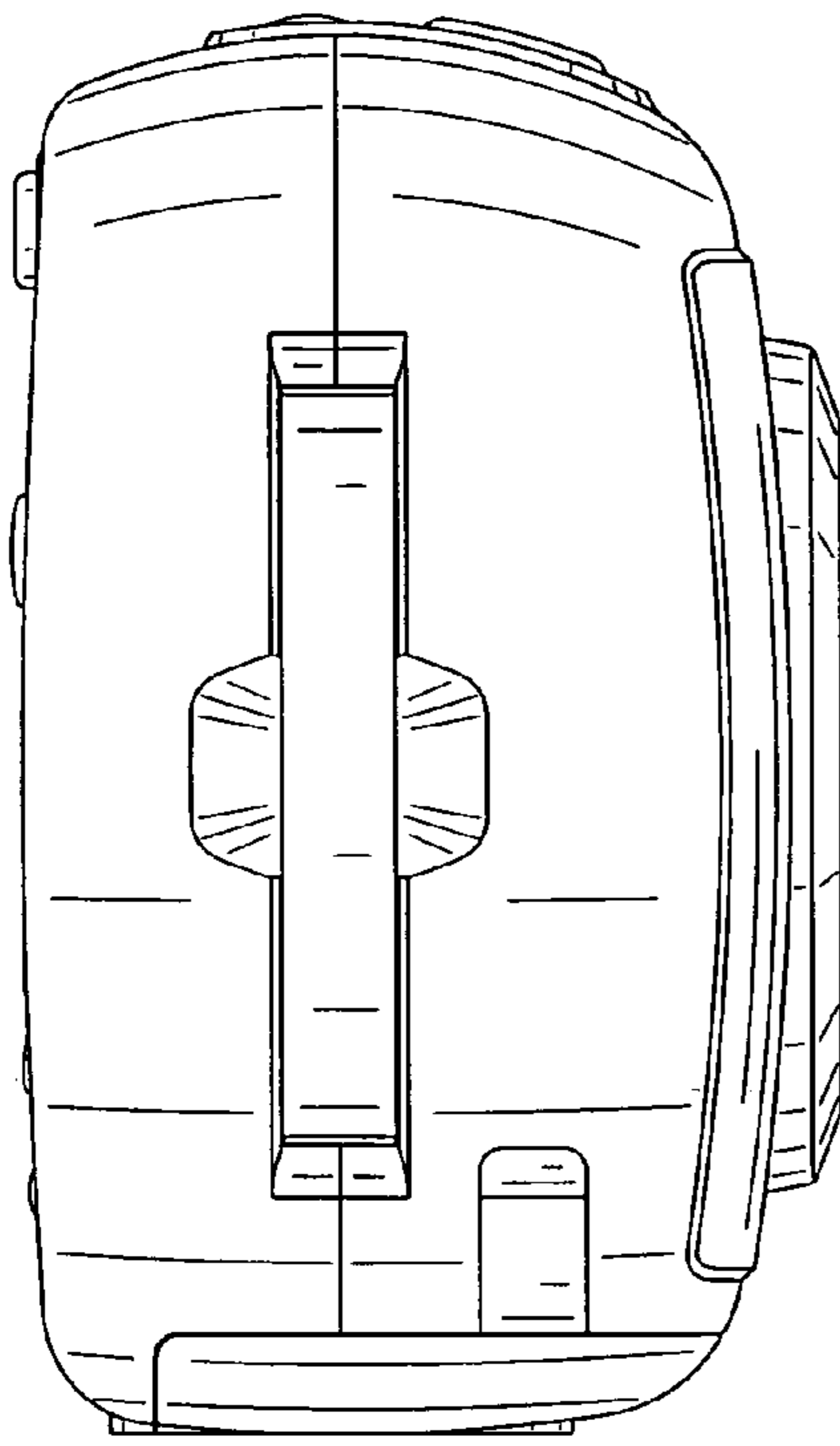


FIG. 7

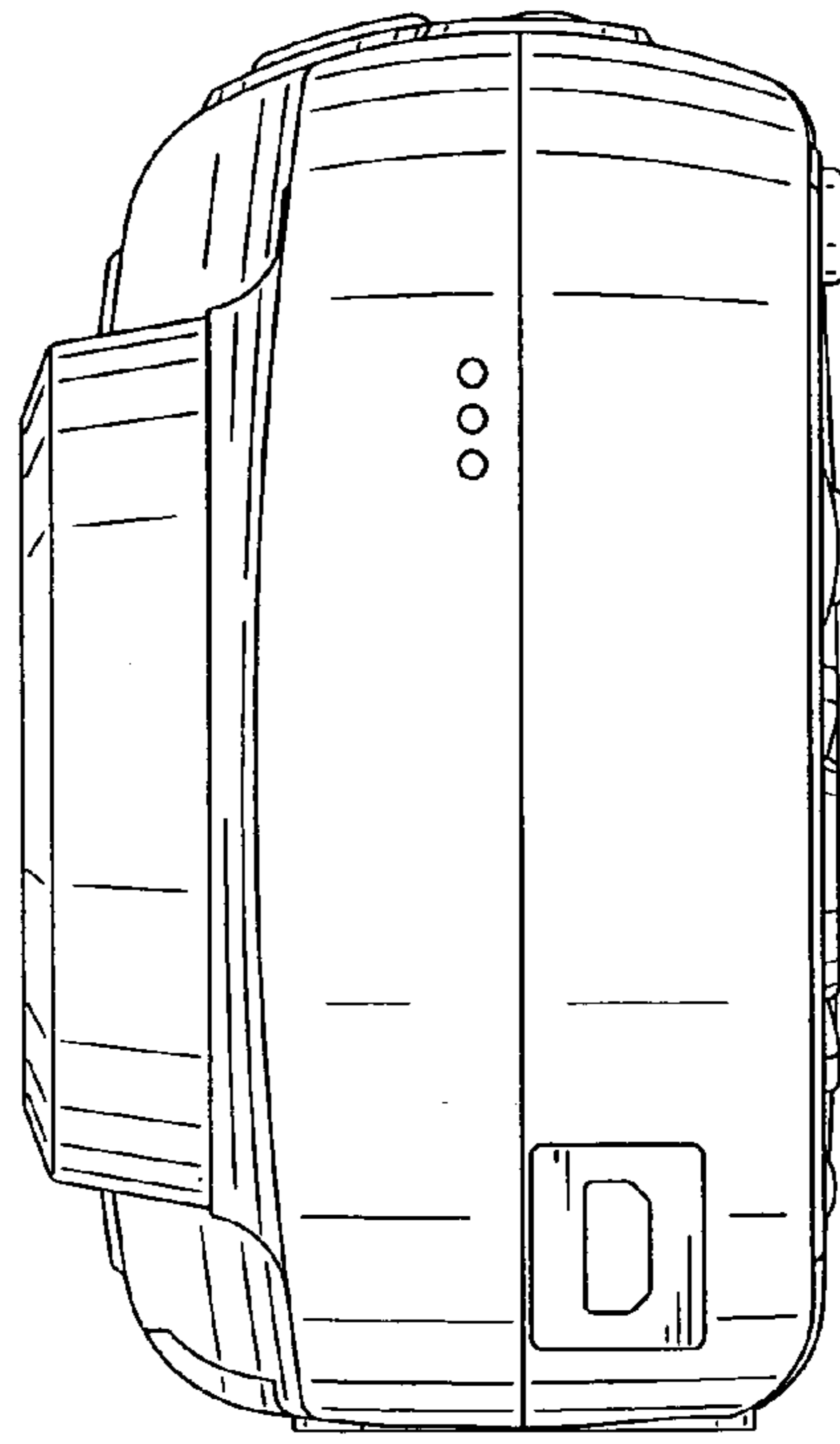


FIG. 8