



US00D574867S

(12) **United States Design Patent**
Lewis

(10) **Patent No.:** **US D574,867 S**

(45) **Date of Patent:** **** *Aug. 12, 2008**

(54) **HANDLE FOR ILLUMINATING MAGNIFIER**

(76) **Inventor:** **Richard Lewis**, 33 Roseheath, Hemel Hempstead, Hertfordshire (GB)

(*) **Notice:** This patent is subject to a terminal disclaimer.

(**) **Term:** **14 Years**

(21) **Appl. No.:** **29/214,589**

(22) **Filed:** **Oct. 6, 2004**

(51) **LOC (8) Cl.** **16-06**

(52) **U.S. Cl.** **D16/135**

(58) **Field of Classification Search** D16/227,
D16/130, 135; D8/107, 300; D24/137; D6/300,
D6/309; 359/798, 802, 803, 805, 808, 809,
359/810, 811, 812, 816, 817, 818, 819, 821;
362/109, 136, 560, 577; 600/558; D26/37
See application file for complete search history.

(56) **References Cited**

U.S. PATENT DOCUMENTS

1,909,662 A * 5/1933 Conners 359/803
D132,703 S * 6/1942 Peck et al. D24/137

D166,597 S * 4/1952 Filsinger D16/135
D201,908 S * 8/1965 Meyer D26/37
D239,056 S * 3/1976 Holliday D16/227
D250,476 S * 12/1978 Olson D16/135
D491,590 S * 6/2004 Singer et al. D16/135

* cited by examiner

Primary Examiner—Paula A. Greene

(74) *Attorney, Agent, or Firm*—Rankin, Hill, Porter & Clark LLP

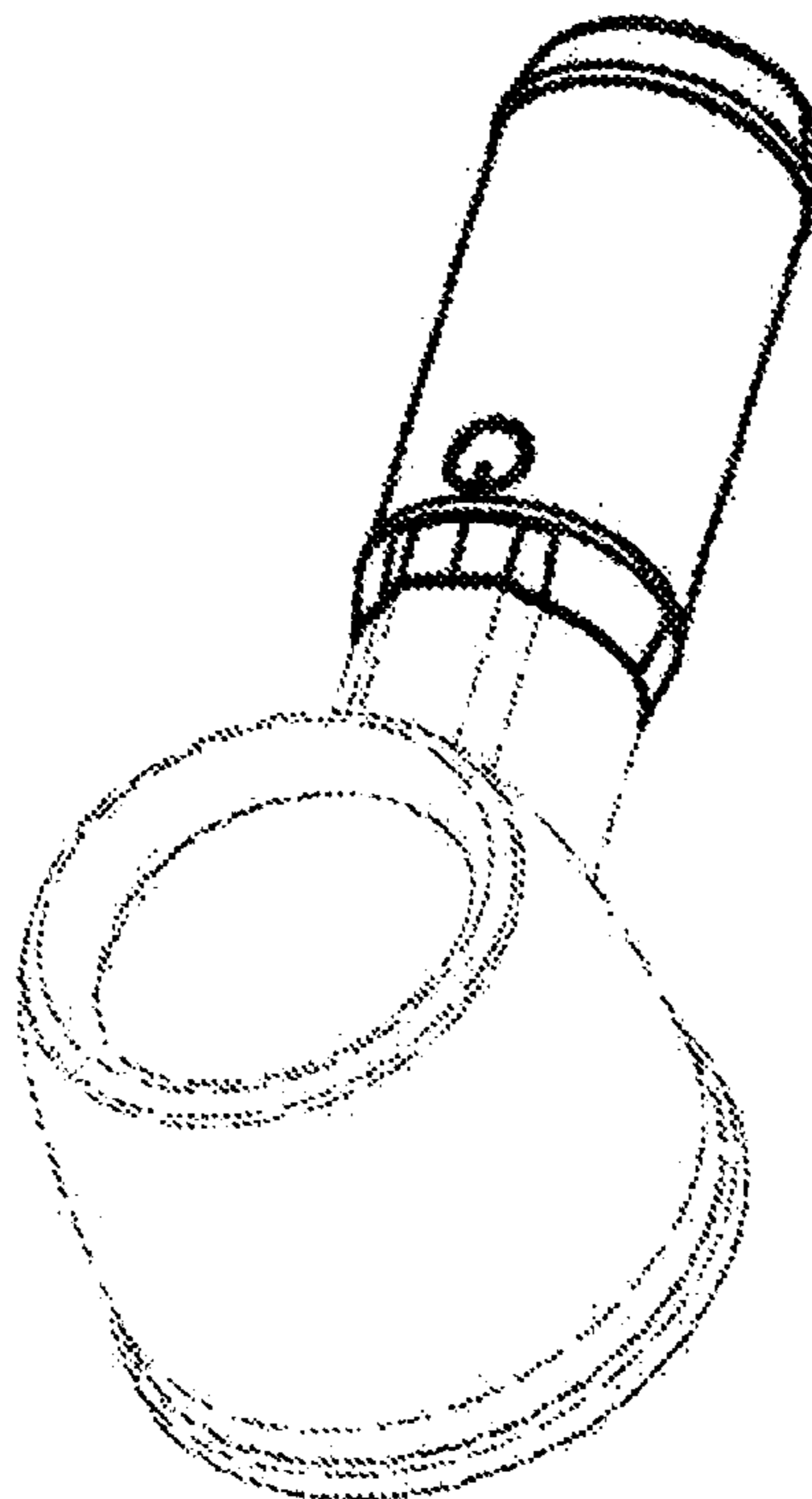
(57) **CLAIM**

The ornamental design for a handle for illuminating magnifier, as shown and described.

DESCRIPTION

FIG. 1 is a perspective view of a handle for illuminating magnifier showing may new design;
FIG. 2 is a top plan view thereof;
FIG. 3 is a front elevational view thereof;
FIG. 4 is side elevational view thereof; and,
FIG. 5 is a bottom plan view thereof.
The broken lines are for illustrative purposes only and forms no part of the claimed design.

1 Claim, 1 Drawing Sheet



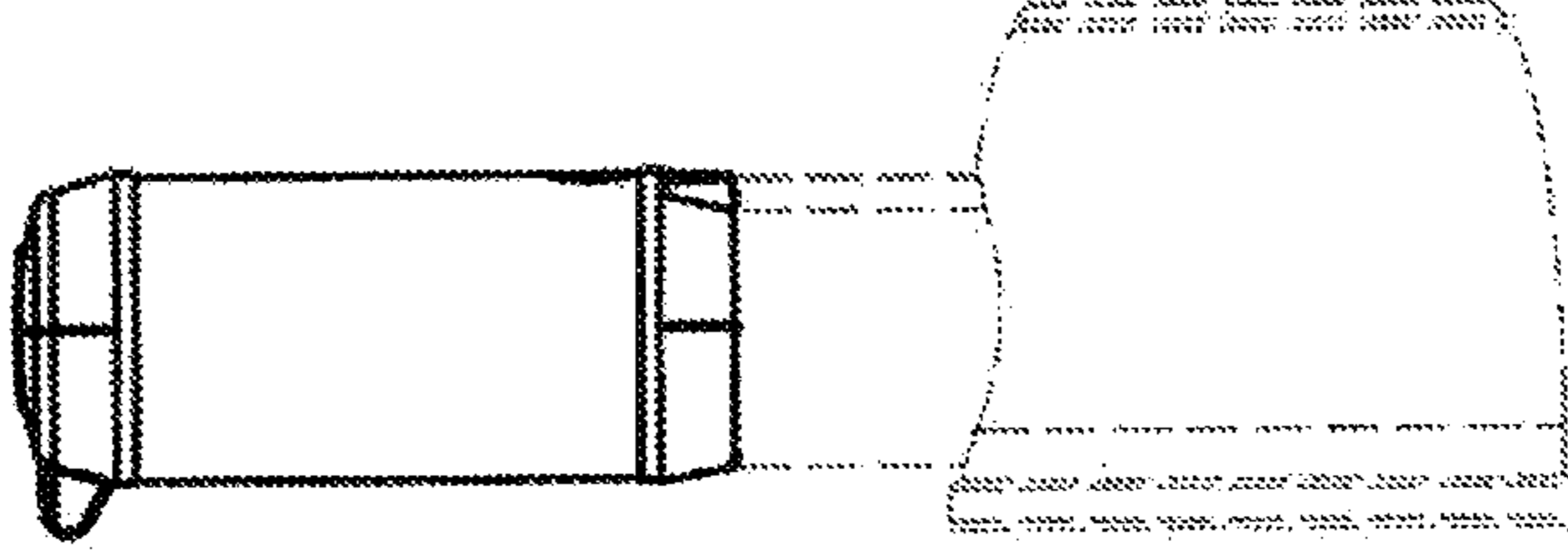
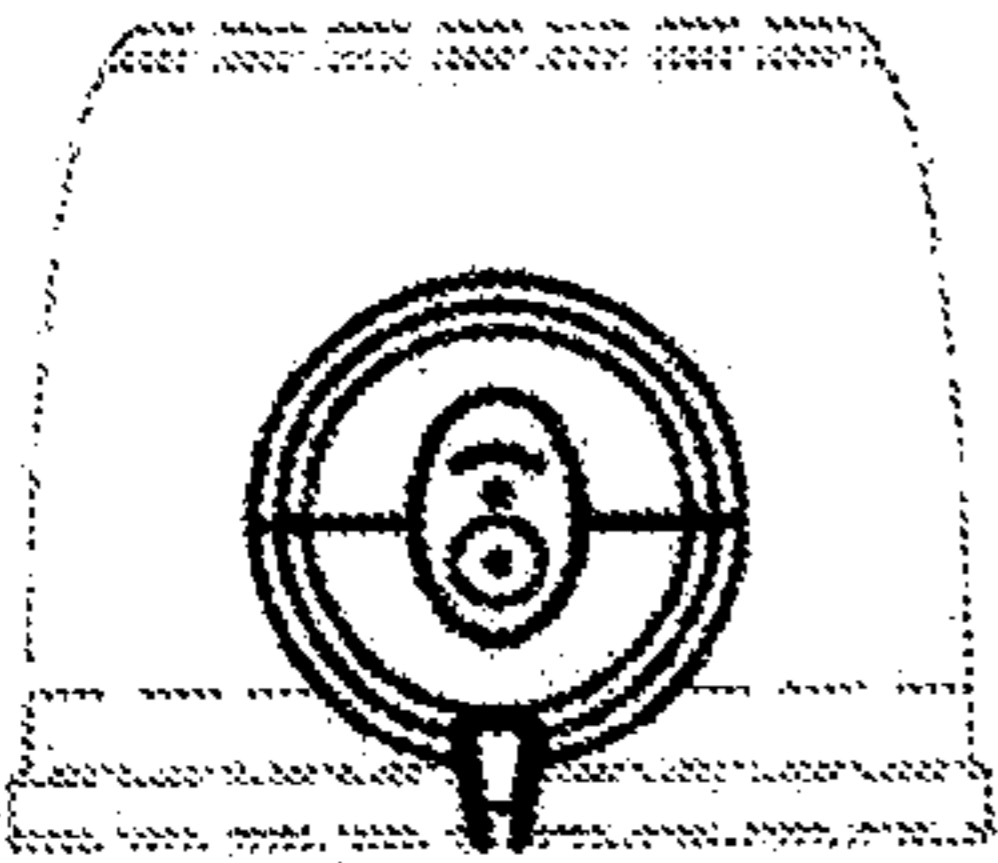
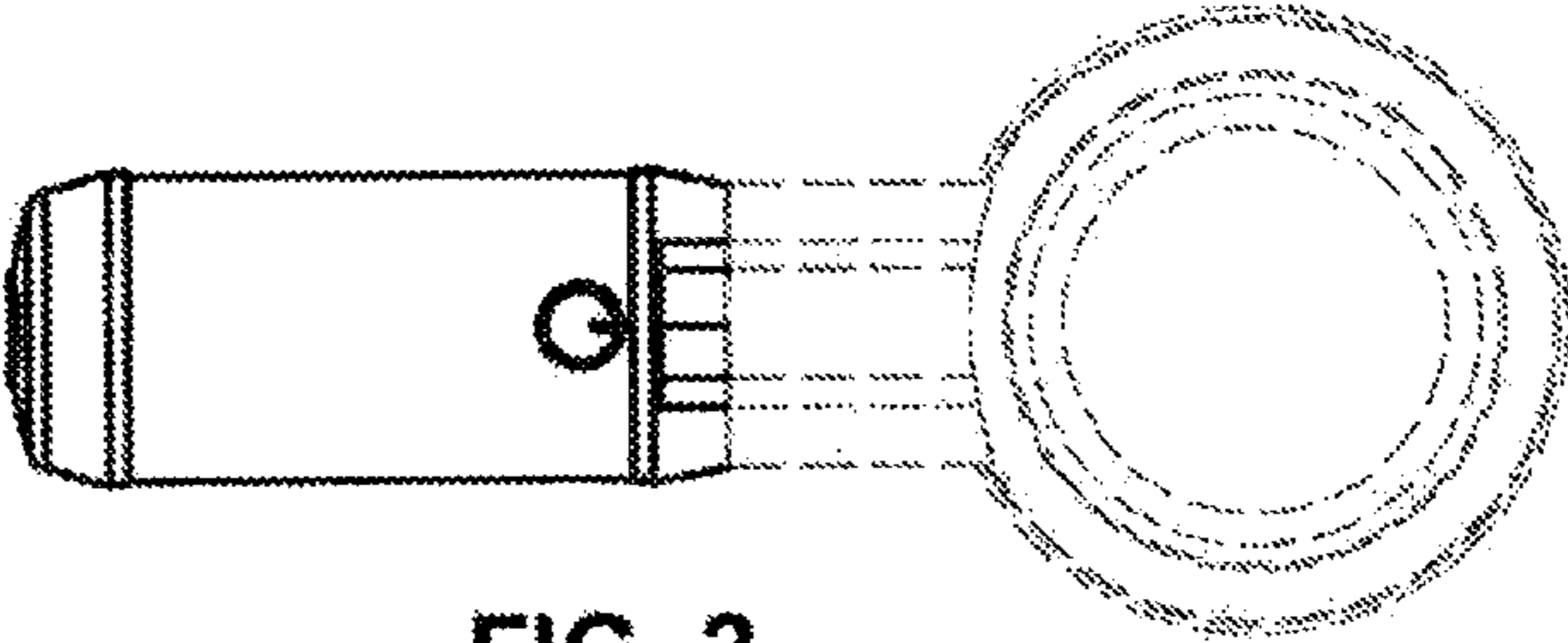
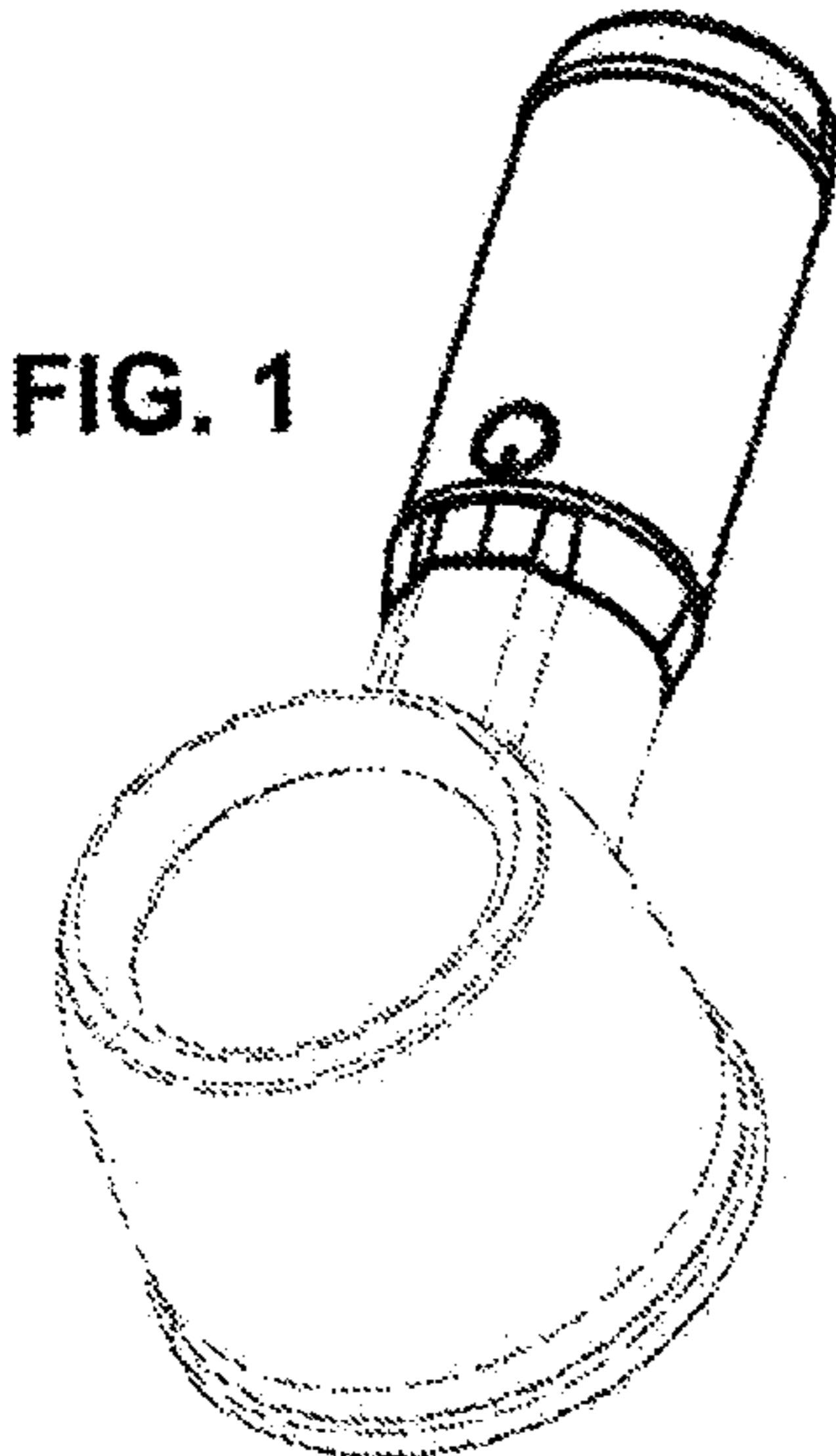


FIG. 3

FIG. 4

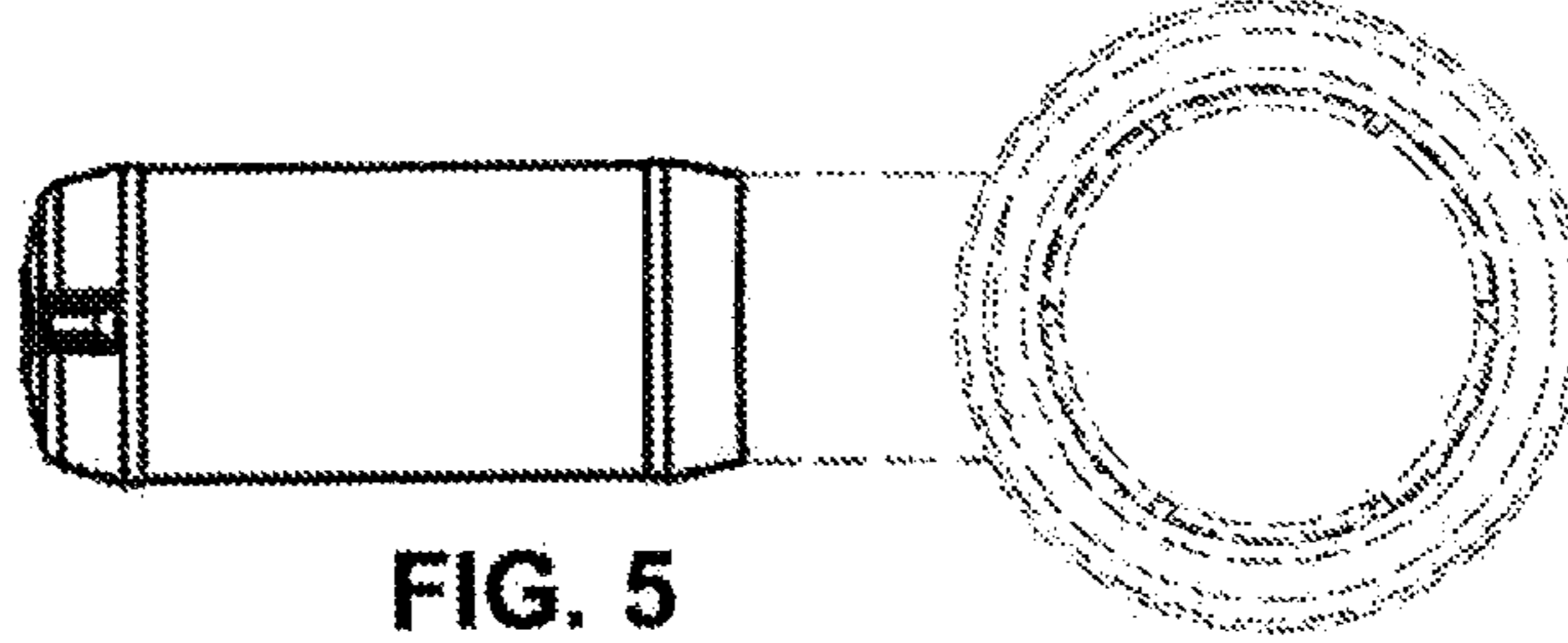


FIG. 5