



US00D574865S

(12) **United States Design Patent**
Cheng

(10) **Patent No.:** **US D574,865 S**

(45) **Date of Patent:** **** Aug. 12, 2008**

(54) **PRECISION POSITION PLATFORM WITH
LONG DISTANCE GUIDEWAY**

7,127,824 B2 * 10/2006 Mies 33/503
D562,366 S * 2/2008 Navarro D15/143

(75) Inventor: **Don-Hua Cheng**, Taichung (TW)

* cited by examiner

(73) Assignee: **Hiwin Mikrosystem Corp.**, Taichung
(TW)

Primary Examiner—Antoine D Davis

(74) *Attorney, Agent, or Firm*—Banger Shia

(**) Term: **14 Years**

(57) **CLAIM**

(21) Appl. No.: **29/250,611**

The ornamental design for a precision position platform with long distance guideway, as shown and described.

(22) Filed: **Nov. 22, 2006**

DESCRIPTION

(51) **LOC (8) Cl.** **15-09**

FIG. 1 is a perspective view of a precision position platform with long distance guideway showing my new design;

(52) **U.S. Cl.** **D15/143; D10/46**

FIG. 2 is a front elevational view thereof;

(58) **Field of Classification Search** D10/46;

FIG. 3 is a rear elevational view thereof,

D15/143; 104/281–286; 74/89.15, 490.09;

FIG. 4 is a left side elevational view thereof,

250/252.1, 374; 310/20, 80; 297/325–327,

FIG. 5 is a right side elevational view thereof,

297/14; 414/560–569; 378/207

FIG. 6 is a top plan view thereof; and,

See application file for complete search history.

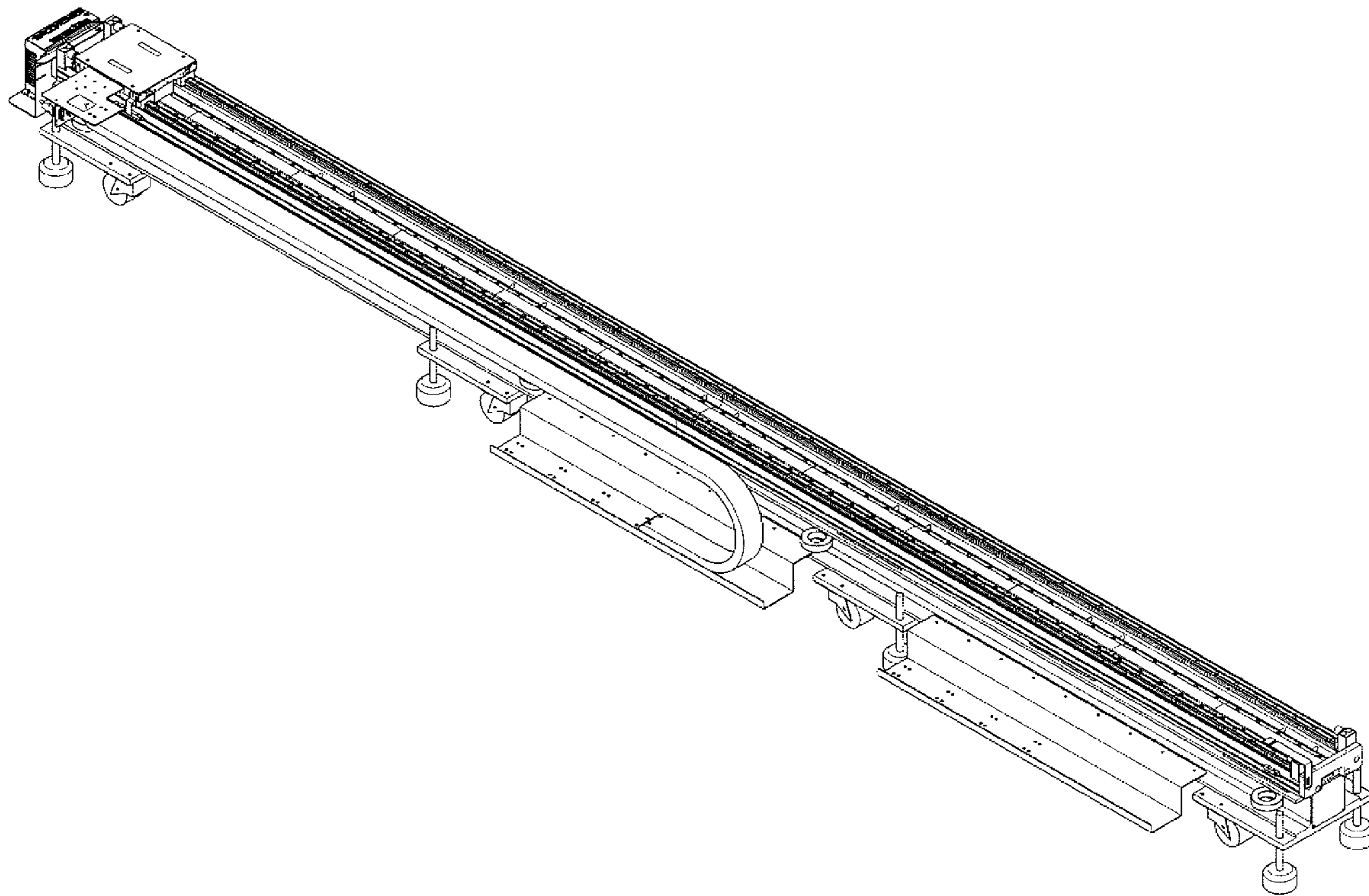
FIG. 7 is a bottom plan view to that shown.

(56) **References Cited**

U.S. PATENT DOCUMENTS

D456,826 S * 5/2002 Nagai et al. D15/143

1 Claim, 4 Drawing Sheets



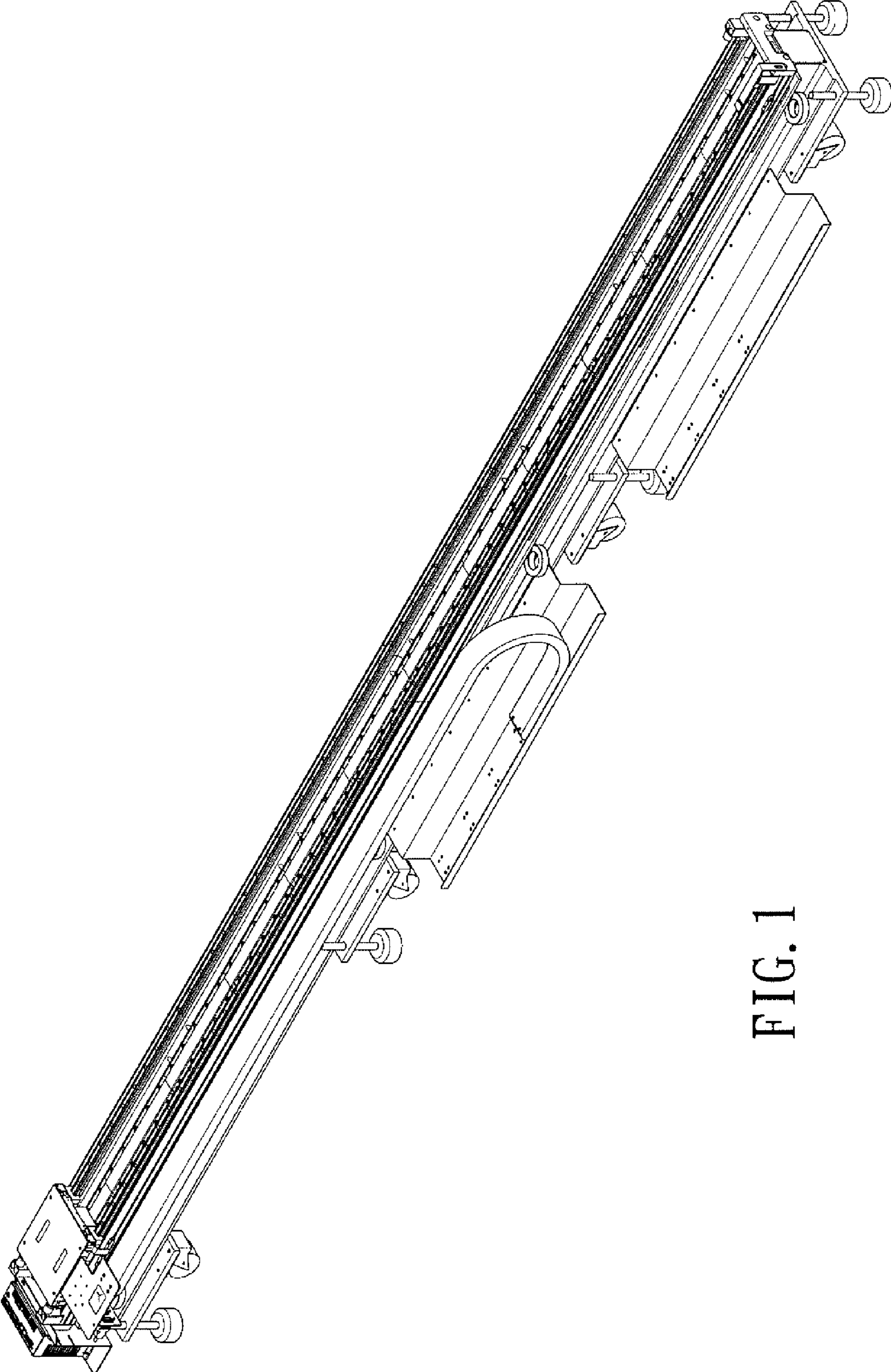


FIG. 1

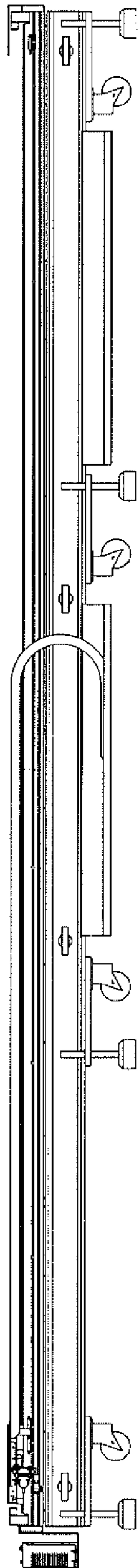


FIG. 2

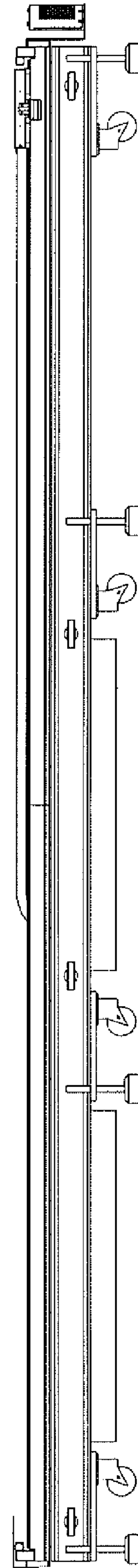


FIG. 3

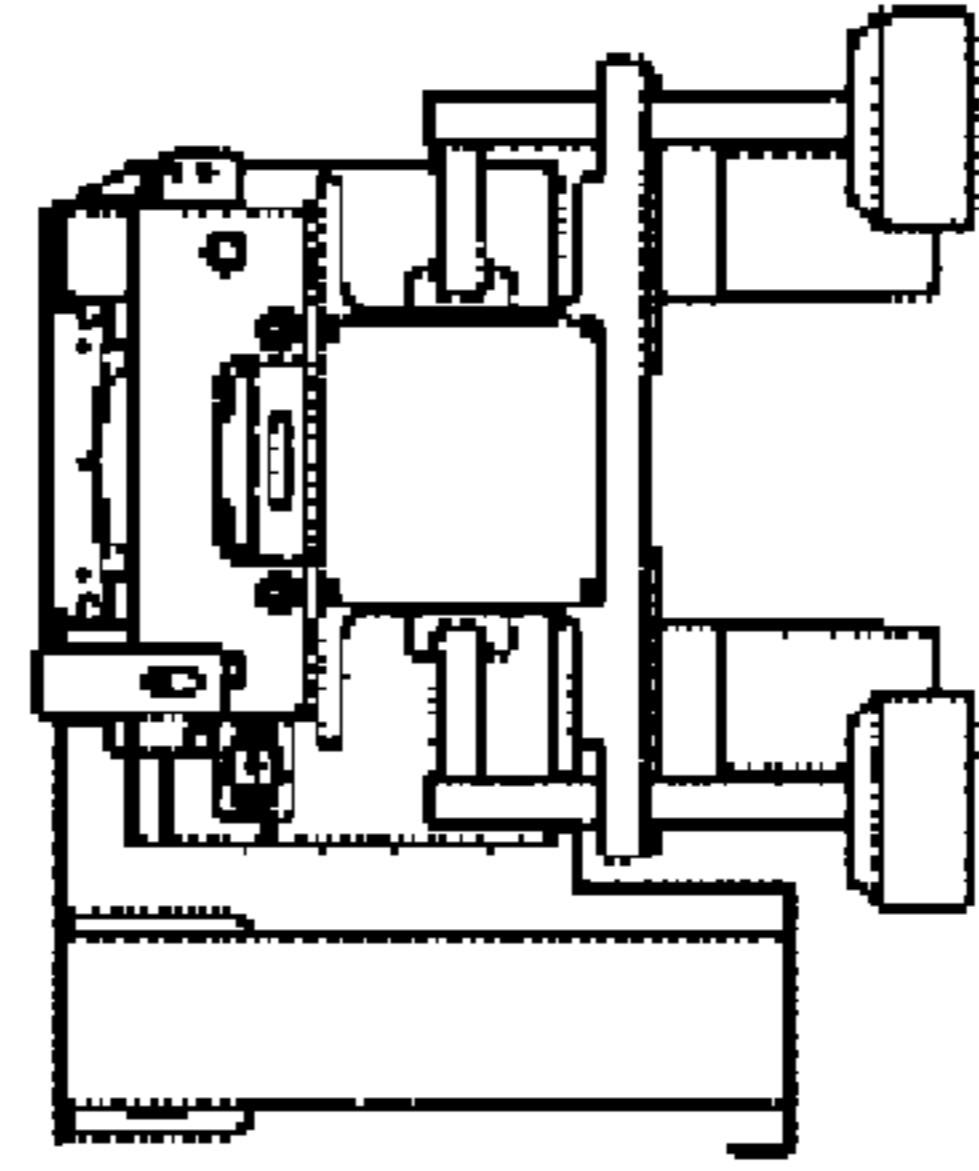


FIG. 5

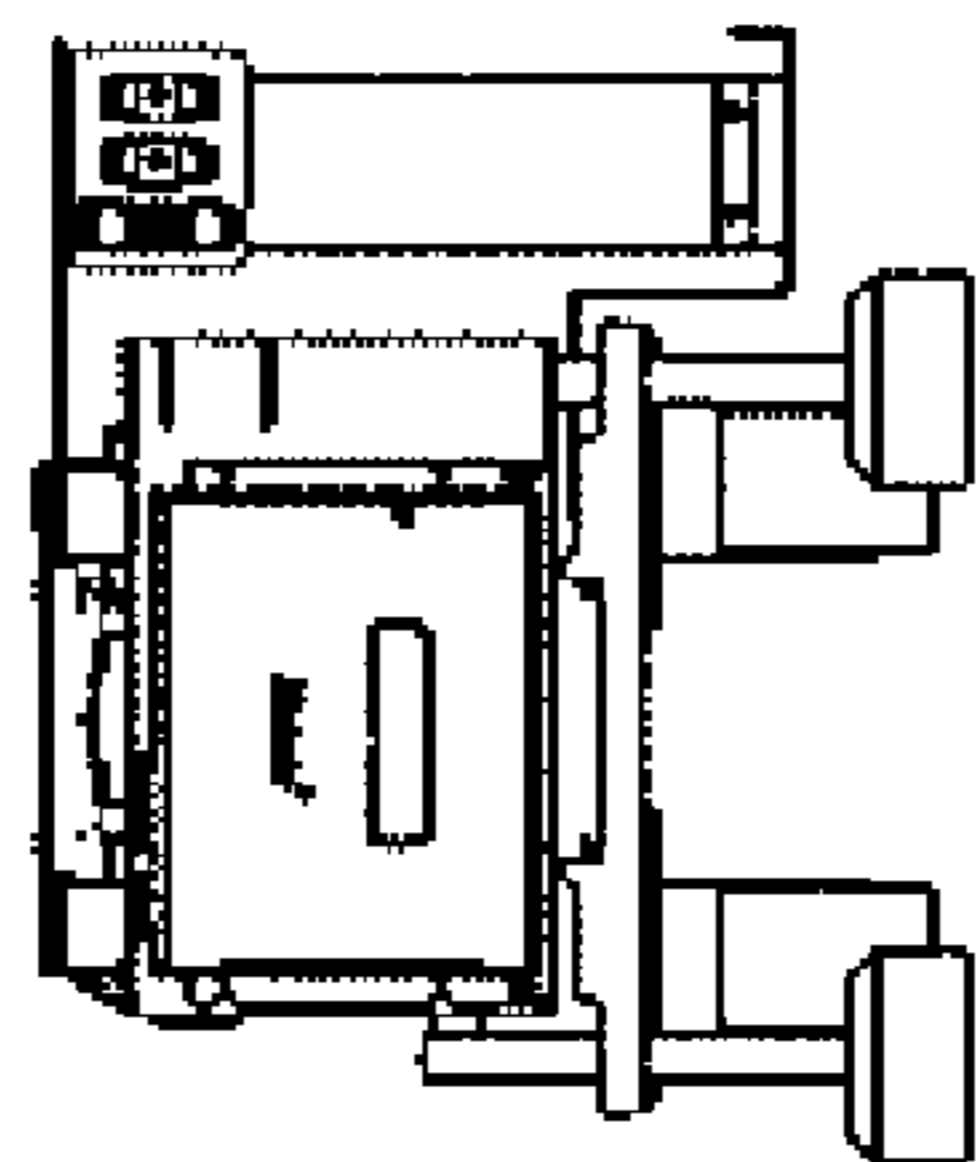


FIG. 4

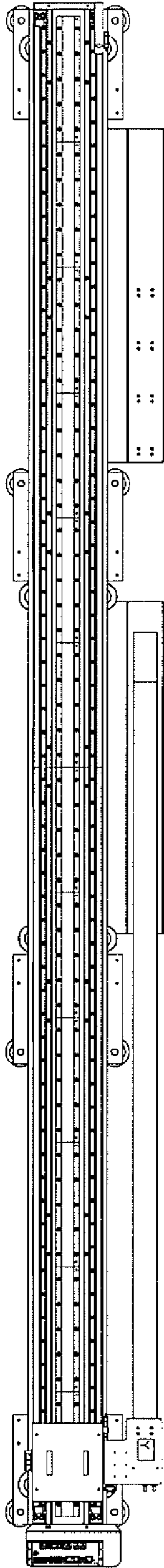


FIG. 6

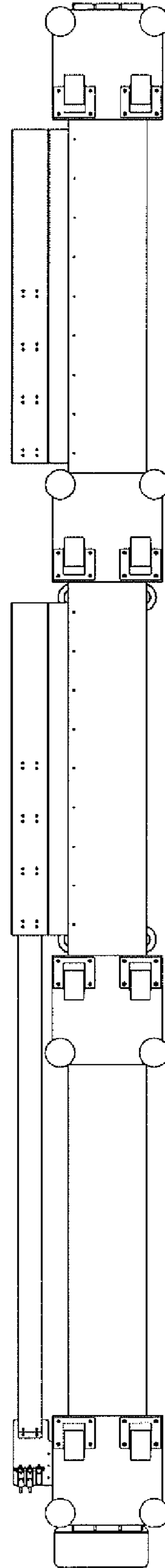


FIG. 7