



US00D574864S

(12) **United States Design Patent**
McDaniel

(10) **Patent No.:** **US D574,864 S**
(45) **Date of Patent:** **** Aug. 12, 2008**

(54) **MORTISE AND TENON ASSEMBLY**
(75) Inventor: **Steven D. McDaniel**, Humboldt, TN
(US)
(73) Assignee: **Black & Decker Inc**, Newark, DE (US)
(**) Term: **14 Years**
(21) Appl. No.: **29/264,906**
(22) Filed: **Aug. 22, 2006**

2,651,847 A 9/1953 Sacrey
2,660,803 A 12/1953 Sacrey
2,764,191 A 9/1956 Hartmann
2,843,167 A 7/1958 Rushton
2,890,730 A 6/1959 Gottlieb
3,057,383 A 10/1962 Waite
3,099,299 A 7/1963 Gilfry
3,109,466 A 11/1963 Jones
3,232,327 A 2/1966 Baranczyk
3,301,287 A 1/1967 Edwards

(Continued)

FOREIGN PATENT DOCUMENTS

DE 879012 6/1953

(Continued)

OTHER PUBLICATIONS

Vermont American, Industrial Dovetail Jig, Model # 23461, Manual No. 45LCN-72, Aug. 1999, USA.

(Continued)

Primary Examiner—Sandra Snapp
Assistant Examiner—Patricia Palasik
(74) *Attorney, Agent, or Firm*—Goodwin Procter LLP

(51) **LOC (8) Cl.** **15-09**
(52) **U.S. Cl.** **D15/140**
(58) **Field of Classification Search** D15/140;
83/467.1, 468.2, 469.6; 144/71, 82, 83, 84,
144/135.2, 136.1, 137, 144.1, 144.2, 144.51,
144/198, 200–201, 204.2, 363, 371, 372;
264/303, 315; 269/245–248, 277–284
See application file for complete search history.

(56) **References Cited**

U.S. PATENT DOCUMENTS

18,838 A 12/1857 Babbs
266,042 A 10/1882 Merz
475,544 A 5/1892 Dobbie
478,544 A 7/1892 Cordesmant et al.
610,272 A 9/1898 Lindwall
1,262,743 A 4/1918 Bronson
1,432,121 A 10/1922 Prickett
1,466,312 A 8/1923 Morcom
1,483,966 A 2/1924 Collins
1,532,467 A 4/1925 Barnett
1,670,074 A 5/1928 Mathez
1,679,074 A 7/1928 Carter
1,751,816 A 3/1930 Hunter
1,841,043 A 1/1932 Moore
1,863,032 A 6/1932 Seelinger
2,036,348 A 4/1936 Miller
2,080,859 A 5/1937 Drapak et al.
2,260,784 A 10/1941 Morton
2,299,602 A 10/1942 Teague
2,607,375 A 9/1952 Gillespie et al.

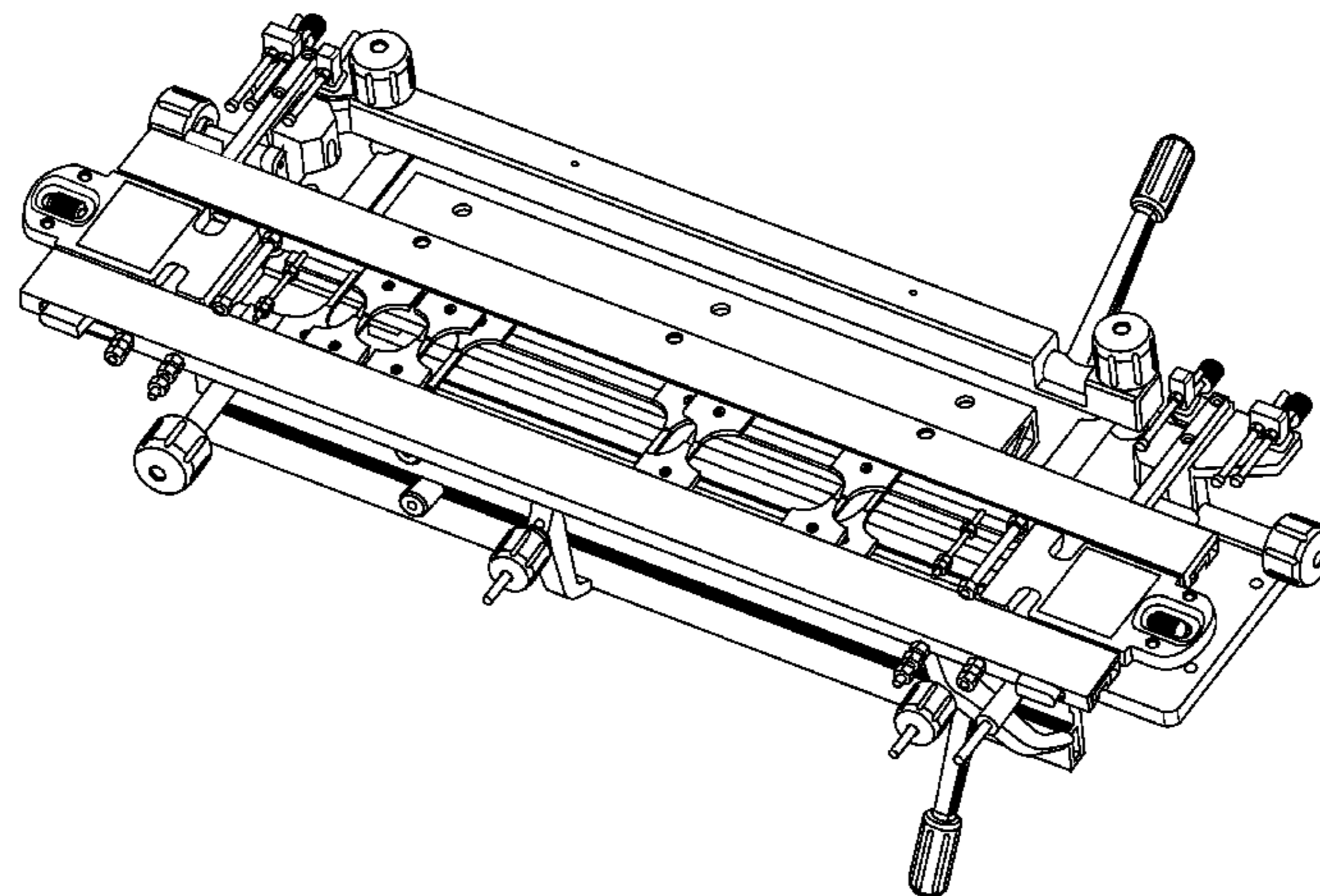
(57) **CLAIM**

The ornamental design for a mortise and tenon assembly, as shown and described.

DESCRIPTION

FIG. 1 is a perspective view of the mortise and tenon assembly.
FIG. 2 is a front elevational view thereof.
FIG. 3 is a rear elevational view thereof.
FIG. 4 is a right side elevational view thereof.
FIG. 5 is a left side elevational view thereof.
FIG. 6 is a top view thereof; and,
FIG. 7 is a bottom view thereof.

1 Claim, 7 Drawing Sheets



US D574,864 S

U.S. PATENT DOCUMENTS					
			4,966,507 A	10/1990	Hanks
			4,977,938 A	12/1990	Greeson
			4,995,435 A	2/1991	Godfrey
			5,016,691 A	5/1991	Bernier
			5,052,454 A	10/1991	Meinhardt
			5,056,966 A	10/1991	Lee
			5,067,537 A	11/1991	Offner
			5,076,742 A	12/1991	Lee et al.
			5,090,461 A	2/1992	Gakhar et al.
			5,094,279 A	3/1992	Dickey et al.
			5,114,265 A	5/1992	Grisley
			5,123,463 A	6/1992	Grisley
			5,139,062 A	8/1992	Keller
			5,143,132 A	9/1992	Keller
			5,154,214 A	10/1992	Hagerman
			5,156,508 A	10/1992	Grisley
			5,174,693 A	12/1992	Lee et al.
			5,184,372 A	2/1993	Mache
			5,199,477 A	4/1993	Keller
			5,203,389 A	4/1993	Goodwin
			D335,942 S	5/1993	Furcron
			5,222,997 A *	6/1993	Montgomery 269/277
			D342,747 S *	12/1993	Garcia D15/140
			5,273,090 A	12/1993	Klemma
			5,284,331 A	2/1994	Lee et al.
			5,285,831 A	2/1994	Woolgar
			5,285,832 A	2/1994	Gibson
			5,289,861 A	3/1994	Hedrick
			5,305,812 A	4/1994	Ferencsik
			D348,195 S	6/1994	Higgins et al.
			5,318,082 A	6/1994	Von Hollen
			5,325,899 A	7/1994	Kochling
			5,337,641 A	8/1994	Duginske
			5,345,983 A	9/1994	De Abreu
			5,396,937 A	3/1995	Clausen
			5,421,384 A	6/1995	Nuwordu
			5,423,357 A	6/1995	Szymanski
			5,423,360 A	6/1995	Taylor et al.
			5,452,751 A	9/1995	Engler, III et al.
			5,458,171 A	10/1995	Ward
			5,492,160 A	2/1996	McCracken
			5,494,089 A	2/1996	Lubbe
			5,513,437 A	5/1996	Whyte
			5,533,556 A	7/1996	Whitney
			5,562,208 A	10/1996	Hasler et al.
			5,564,483 A	10/1996	Sacchi
			5,584,328 A	12/1996	Grisley
			5,598,878 A	2/1997	Wirth, Jr. et al.
			5,617,909 A	4/1997	Duginske
			5,630,455 A	5/1997	Julien
			5,647,707 A	7/1997	Poulin
			5,692,861 A	12/1997	Stottmann
			5,694,992 A	12/1997	Kikuchi
			5,694,994 A	12/1997	Engler, III et al.
			5,697,415 A	12/1997	Kozyrski et al.
			5,711,356 A	1/1998	Grisley
			5,738,470 A	4/1998	Sugita
			5,738,966 A	4/1998	Okuno et al.
			5,779,407 A	7/1998	Tucker et al.
			5,807,033 A	9/1998	Benway
			5,809,631 A	9/1998	Poulin
			5,813,807 A	9/1998	Rogers
			5,816,300 A	10/1998	Rogers
			5,823,239 A	10/1998	Smith
			5,832,977 A	11/1998	Hampton
			5,853,035 A	12/1998	Rose
			5,862,848 A	1/1999	Beall
			5,868,183 A	2/1999	Kozyrski et al.
			5,893,402 A	4/1999	Darling
			5,908,061 A	6/1999	Blichmann
			5,918,652 A	7/1999	Tucker
			5,931,208 A	8/1999	Gifkins
			6,012,497 A	1/2000	Stottmann
3,424,450 A	1/1969	Atkins			
3,442,309 A	5/1969	Jentsch			
3,450,001 A	6/1969	Fortune			
3,700,344 A	10/1972	Grumbach			
3,709,088 A	1/1973	Pitzer			
3,800,840 A	4/1974	McCord, Jr.			
D232,298 S	8/1974	Jones			
3,834,435 A	9/1974	McCord, Jr.			
3,841,368 A	10/1974	Ritter			
3,878,875 A	4/1975	McCord, Jr.			
D242,211 S	11/1976	Parise			
D242,212 S	11/1976	Parise			
D246,523 S	11/1977	Bartlett			
4,093,394 A *	6/1978	Adams 408/103			
4,095,633 A	6/1978	Kimball et al.			
4,127,153 A	11/1978	Cipollone			
4,163,465 A	8/1979	Strong			
4,168,730 A	9/1979	Keller			
D255,359 S	6/1980	Bartlett			
4,281,694 A	8/1981	Gorman			
4,319,615 A	3/1982	Ditmanson			
4,373,562 A	2/1983	Vernon			
4,382,728 A	5/1983	Anderson et al.			
4,403,534 A	9/1983	Altendorf et al.			
4,405,004 A	9/1983	Dicke			
4,407,344 A	10/1983	Dicke			
D272,038 S	1/1984	Dicke			
4,428,408 A	1/1984	Grisley			
4,438,977 A	3/1984	Chapel			
4,445,277 A	5/1984	Keefe			
4,462,440 A	7/1984	Dolfi			
4,478,264 A	10/1984	Miller et al.			
4,479,523 A	10/1984	Peterson et al.			
4,498,245 A	2/1985	Mayor			
4,542,776 A	9/1985	Kehoe			
4,575,059 A	3/1986	Blaine			
4,593,735 A	6/1986	Wirth, Jr.			
4,595,040 A	6/1986	Glisman			
4,603,717 A	8/1986	Thomas			
4,607,434 A	8/1986	Francis			
4,607,673 A	8/1986	McCord, Jr.			
4,630,656 A	12/1986	Collins			
4,630,657 A	12/1986	Obradovich			
4,644,985 A	2/1987	Weaver			
4,648,433 A	3/1987	Wolff			
D289,337 S	4/1987	Fitzwater			
4,655,445 A	4/1987	Morse			
4,688,612 A	8/1987	Kessel et al.			
4,693,288 A	9/1987	Buechele et al.			
4,735,531 A	4/1988	Boerckel et al.			
4,750,536 A	6/1988	Grisley			
4,763,706 A	8/1988	Rice et al.			
4,763,707 A	8/1988	Hounshell			
4,776,374 A	10/1988	Charlebois			
4,787,430 A	11/1988	Miyamoto			
4,787,432 A	11/1988	Williams			
4,805,505 A	2/1989	Cantlin			
4,809,755 A	3/1989	Pontikas			
4,843,728 A	7/1989	Francis			
4,850,763 A	7/1989	Jack et al.			
4,860,809 A	8/1989	Cotton et al.			
4,863,151 A *	9/1989	Justesen 269/261			
4,875,510 A	10/1989	Muellers			
D306,506 S	3/1990	Houser			
4,905,745 A	3/1990	Jaeger			
4,911,213 A	3/1990	Le Bleu			
4,930,221 A	6/1990	Taylor			
4,934,422 A	6/1990	Hempy et al.			
4,942,912 A	7/1990	Gakhar et al.			
4,965,943 A	10/1990	Adams			
4,965,966 A	10/1990	Braasch			

6,032,706	A	3/2000	Lear	
6,039,095	A	3/2000	Newman	
6,041,837	A	3/2000	Hanson	
6,050,559	A	4/2000	de Souza	
6,061,921	A	5/2000	Adams et al.	
6,065,913	A	5/2000	Rogers	
6,068,036	A	5/2000	Cassidy	
6,076,575	A	6/2000	Harkness	
6,116,303	A	9/2000	Hampton	
6,116,826	A	9/2000	Benway	
6,138,372	A	10/2000	Newman	
6,148,879	A	11/2000	Liao	
6,158,487	A	12/2000	Licari	
6,182,371	B1	2/2001	Newman	
6,206,060	B1	3/2001	Blake	
6,289,956	B1	9/2001	Shriver	
6,315,017	B1	11/2001	Stottmann	
6,357,194	B1	3/2002	Jones, Jr.	
6,363,982	B1	4/2002	Nixon, Jr.	
6,374,878	B1	4/2002	Mastley et al.	
6,401,772	B1	6/2002	Beitl	
6,422,276	B1	7/2002	Kevan	
6,470,930	B1	10/2002	Stottmann	
6,499,224	B1	12/2002	Asick	
6,516,842	B1	2/2003	Chang	
6,588,468	B1	7/2003	Tucker et al.	
6,607,016	B2	8/2003	Jones	
D481,402	S *	10/2003	Jenkins et al. D15/140
6,675,849	B1	1/2004	Lackley	
6,679,659	B1	1/2004	Lasch et al.	
6,705,810	B1	3/2004	Sugita	
6,736,173	B1	5/2004	Grisley et al.	
RE38,612	E	10/2004	Tucker et al.	
6,799,615	B2	10/2004	Smith	
6,834,730	B2	12/2004	Gass et al.	
6,851,900	B2	2/2005	Tillemans et al.	
6,899,152	B2	5/2005	Godfrey	
6,926,477	B2	8/2005	Allemann et al.	
D512,893	S	12/2005	Cowan	
D538,986	S	3/2007	Ingram	
2001/0011564	A1	8/2001	Darling	
2002/0066497	A1	6/2002	Froggatt	
2003/0041709	A1	3/2003	Jones	
2003/0047239	A1	3/2003	Baculy	
2003/0073395	A1	4/2003	Faccin et al.	
2003/0145705	A1	8/2003	Miller	
2003/0159758	A1	8/2003	Smith	
2003/0172993	A1	9/2003	Godfrey	
2003/0196723	A1	10/2003	Tucker et al.	
2003/0230359	A1 *	12/2003	Schroeder 144/144.1
2004/0126197	A1	1/2004	Allemann et al.	
2004/0050451	A1	3/2004	Dahloff	
2004/0149112	A1	8/2004	Snell	
2004/0206865	A1	10/2004	Chang	
2004/0250880	A1	12/2004	Dement	
2005/0022899	A1	2/2005	Chang	
2005/0056344	A1	3/2005	Friedlund	
2005/0056345	A1	3/2005	Duginske	
2005/0115639	A1	6/2005	Bagnall	
2005/0161357	A1	7/2005	Allan et al.	
2005/0236069	A1	10/2005	O'Brien	
2006/0138722	A1 *	6/2006	Webster et al. 269/246
2006/0174681	A1	8/2006	Espinosa	
2006/0283524	A1 *	12/2006	McDaniel et al. 144/144.51

FOREIGN PATENT DOCUMENTS

DE	3430496	A1	2/1986
DE	3517146	A1	11/1986
DE	4016834	A1	11/1991
DE	4403534		8/1995
DE	19715422	A1	10/1998

DE	19715424	A1	10/1998
EP	0320869	A2	12/1987
FR	2843167	A1	7/2003
GB	2238752	A	6/1991
WO	WO 02/057058	A2	7/2002

OTHER PUBLICATIONS

Vermont American, Dovetail Fixture Kit, Owner's Manual No.23460, Feb. 1996, USA.

Fusso Machinery Corp., Easy-to-Operate Dovetail Machine, http://fusso.trustpass.alibaba.com/product/10770195/Easy_to_Operate_Dovetail_Machine.html, p. 2-3, (printed Nov. 17, 2005).

Akeda DC User Manual, © 2002-2005 Akeda Jigs Incorporated; Akeda Canada, P.O. Box 700, The Old Laughing Creek Stream Works, Brackendale BC, V0N 1H0, Canada; www.akeda.com; 26 pages.

Porter-Cable, Instruction Manual, Dovetail Jig, Models 4210& 4212, May 27, 2005.

Porter-Cable Omnijig Dovetail Machines Instruction Manual, Model 7116; Part No. 888381-794; Porter-Cable Corporation, 4825 Highway 45 North, Jackson, TN 38305; <http://www.porter-cable.com>; 28 pages). (Note: #6 and #23 are the same - the manual references both 5116 and 7116).

Porter-Cable Omnijig Dovetail Machine, Parts List for 5116 Type 1, © 2005.

One (1) image of Porter-Cable Model 517, Lock Face Templet; Porter-Cable Corporation, 4825 Highway 45 North, Jackson, TN 38305; Porter-Cable Catalog, PC-912, page 137, 1995; 1 page.

One (1) image of Porter-Cable Model 517, Lock Face Templet; Porter-Cable Corporation, 4825 Highway 45 North, Jackson, TN 38305;http://media.ptg-online.com/20040310083334_517_72dpi_500.jpg; 1 page.

One (1) image of Porter-Cable Model 59381, Hinge Butt Templet; Porter-Cable Corporation, 4825 Highway 45 North, Jackson, TN 38305; Porter-Cable Catalog, PC-912, page 134, 1995; 1 page.

Two (2) images of Porter-Cable Model 59381, Hinge Butt Templet; Porter-Cable Corporation, 4825 Highway 45 North, Jackson, TN 38305; 2 pages.

Five (5) images of Porter-Cable Model 59370, Door Hinge Templet; Porter-Cable Corporation, 4825 Highway 45 North, Jackson, TN 38305; 5 pages.

Four (4) images of Rockwell Model 521, Stair Templet Without Clamping Devices; Power Tool Division/Rockwell International, Pittsburgh, PA 15208; 4 pages.

Three (3) images of Modern Woodworking by Willis H. Wagner; Illustrating use of Rockwell Model 521, Stair Templet With Clamp Devices; © 1980 The Goodheart-Wilcox Co., Inc., pp. 252-253; 3 pages.

Trend MT jig Review, http://benchmark.20m.com/reviews/TrendMortiseJig/TrendMT_Jig_Review.html; Nov. 9, 2005; 5 pages.

Leigh Versus Akeda Dovetail Jig, <http://benchmark.20m.com/articles/LeighVersusAkeda.html>; Nov. 9, 2005; 8 pages.

Katie Jig System brochure; Hampton House Inc., P.O. Box 7103, Greenwood, IN 46142-6421; <http://www.katijig.com/KJ8PG.pdf>; U.S. Patent Nos. 5,832,977 and 6,116,303; Nov. 9, 2005.

The Katie Jig Manual, © 1997-2000 Hampton House, Inc., P.O. box 7103, Greenwood, IN 46142-6421; <http://www.katijig.com>; U.S. Patent No. 5,832,977; Nov. 9, 2005; 34 pages.

Porter-Cable Dovetail Machines Parts List; Model 4112; Part No. 900488-0011; © 2000 Porter-Cable Corporation, 4825 Highway 45 North, Jackson, TN 38305; 1 page.

Porter-Cable Dovetail Fixture/Jig Instruction Manual, Model 4112; Part No. 900487-09-12-03; © Porter-Cable Corporation, 4825 Highway 45 North, Jackson, TN 38305; 15 pages.

Porter-Cable Omnijig Dovetail Machines Parts List, Model 7116; Parts List No. 876389-002; © 2000 Porter-Cable Corporation, 4825 Highway 45 North, Jackson, TN 38305; 3 pages.

Porter-Cable Omnijig Dovetail Machines Instruction Manual, Model 7116; Part No. 888381-794; Porter-Cable Corporation, 4825 Highway 45 North, Jackson, TN 38305; <http://www.porter-cable.com>; 28 pages).

* cited by examiner

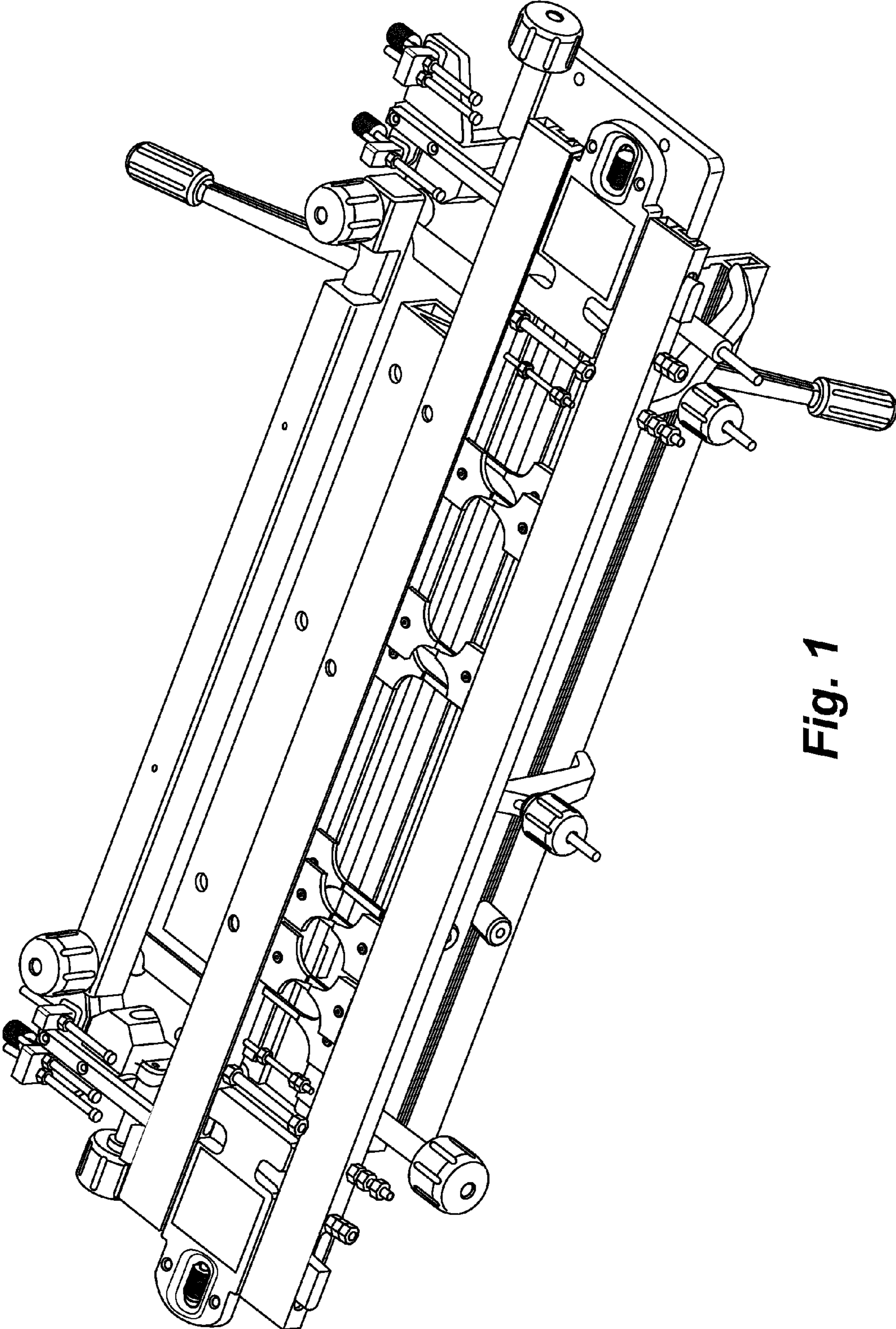


Fig. 1

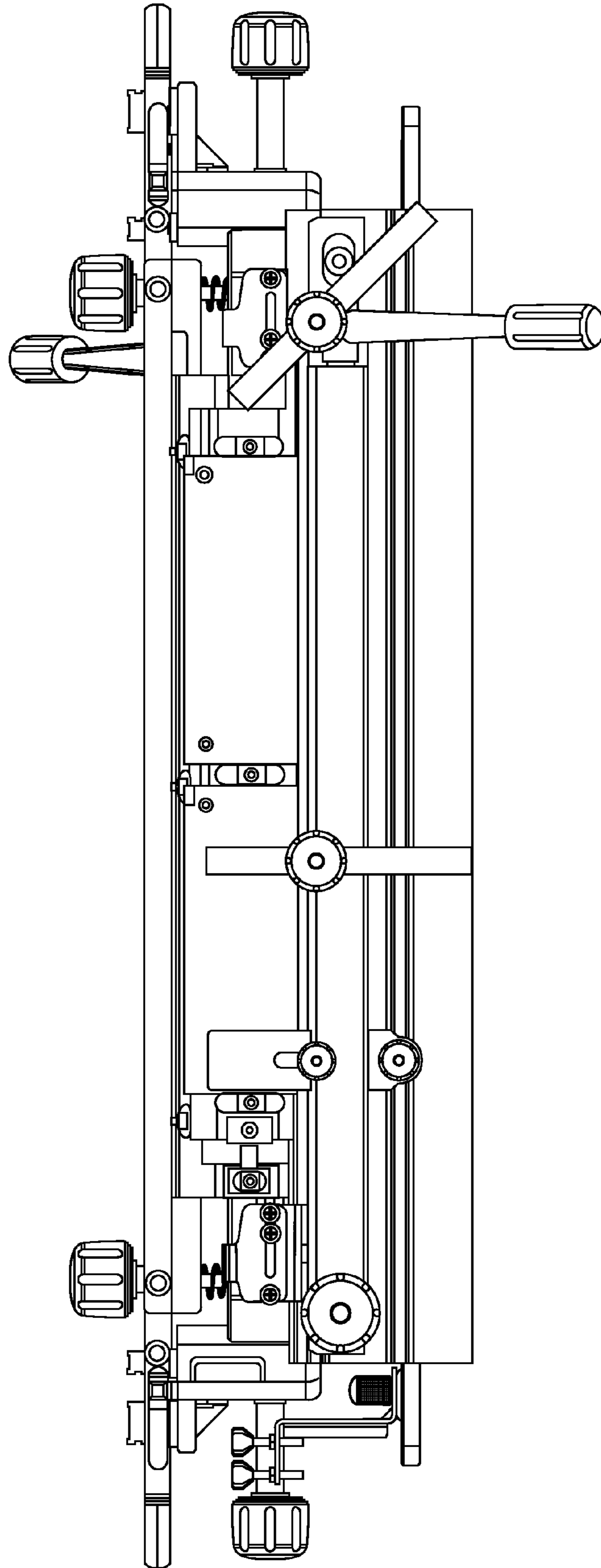


Fig. 2

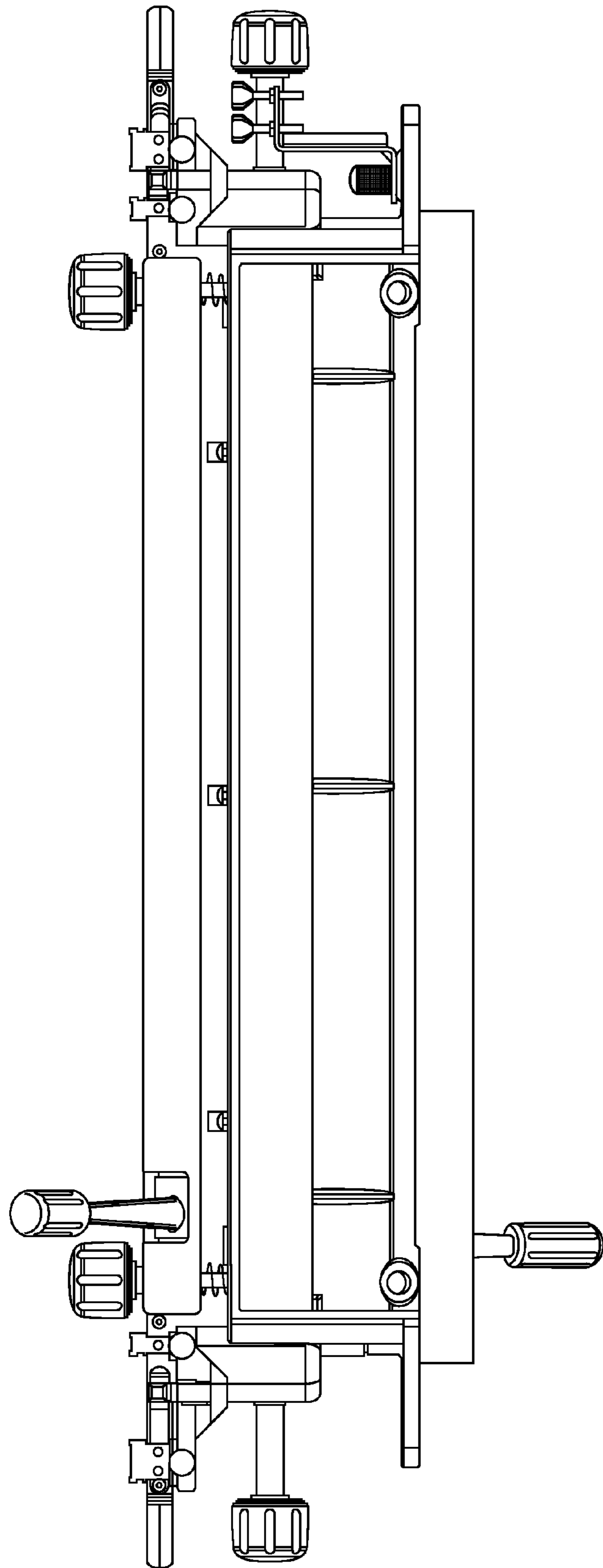


Fig. 3

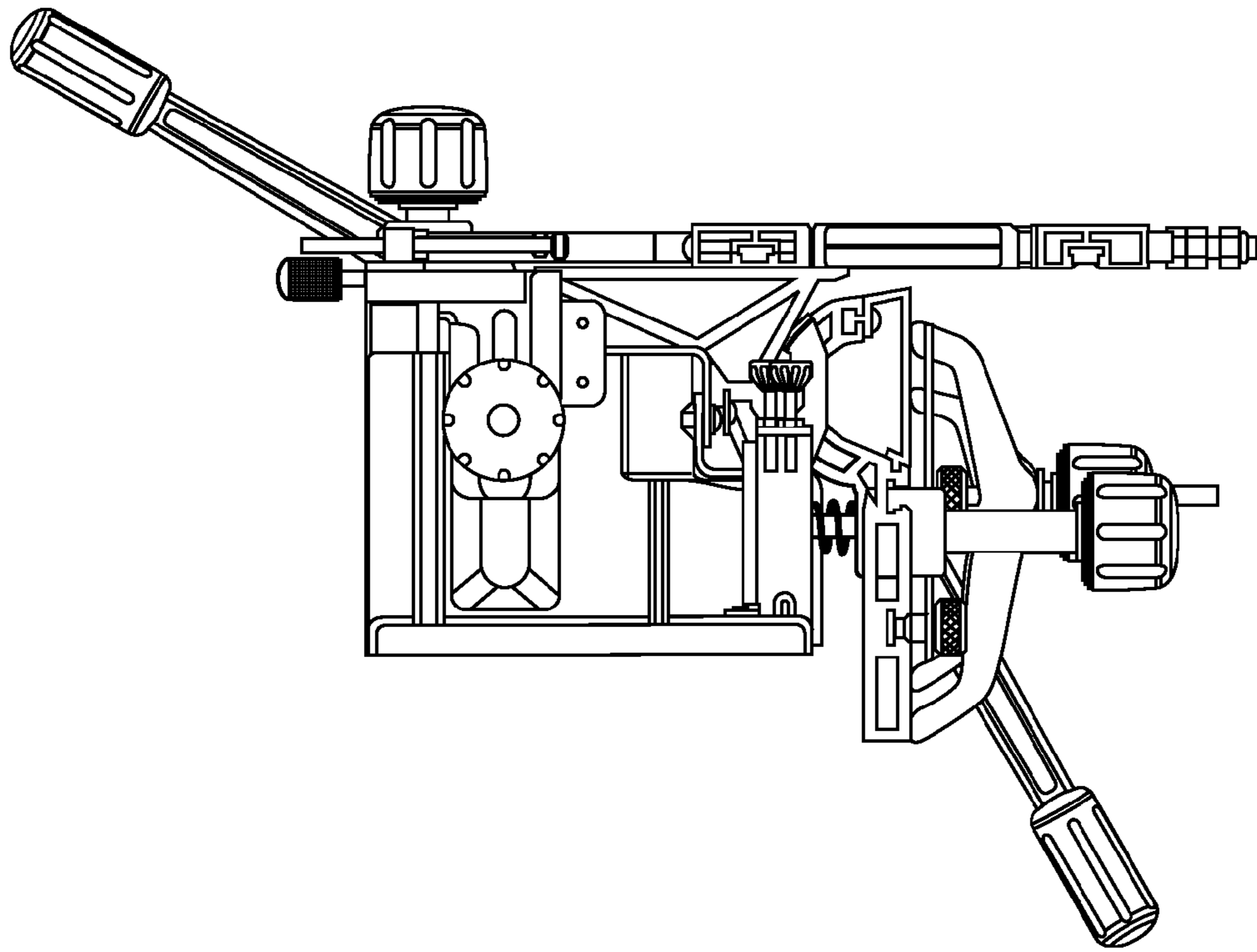


Fig. 4

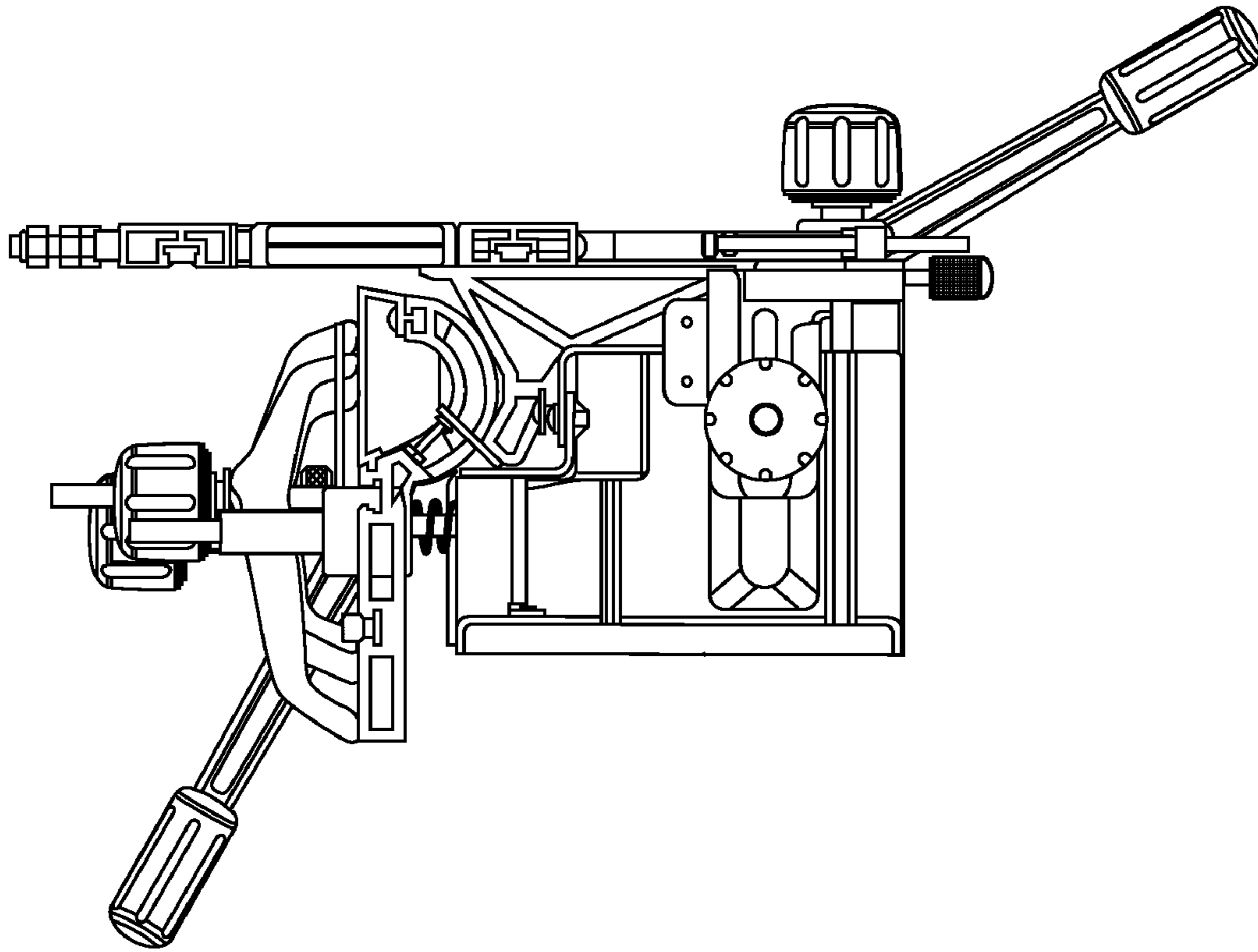


Fig. 5

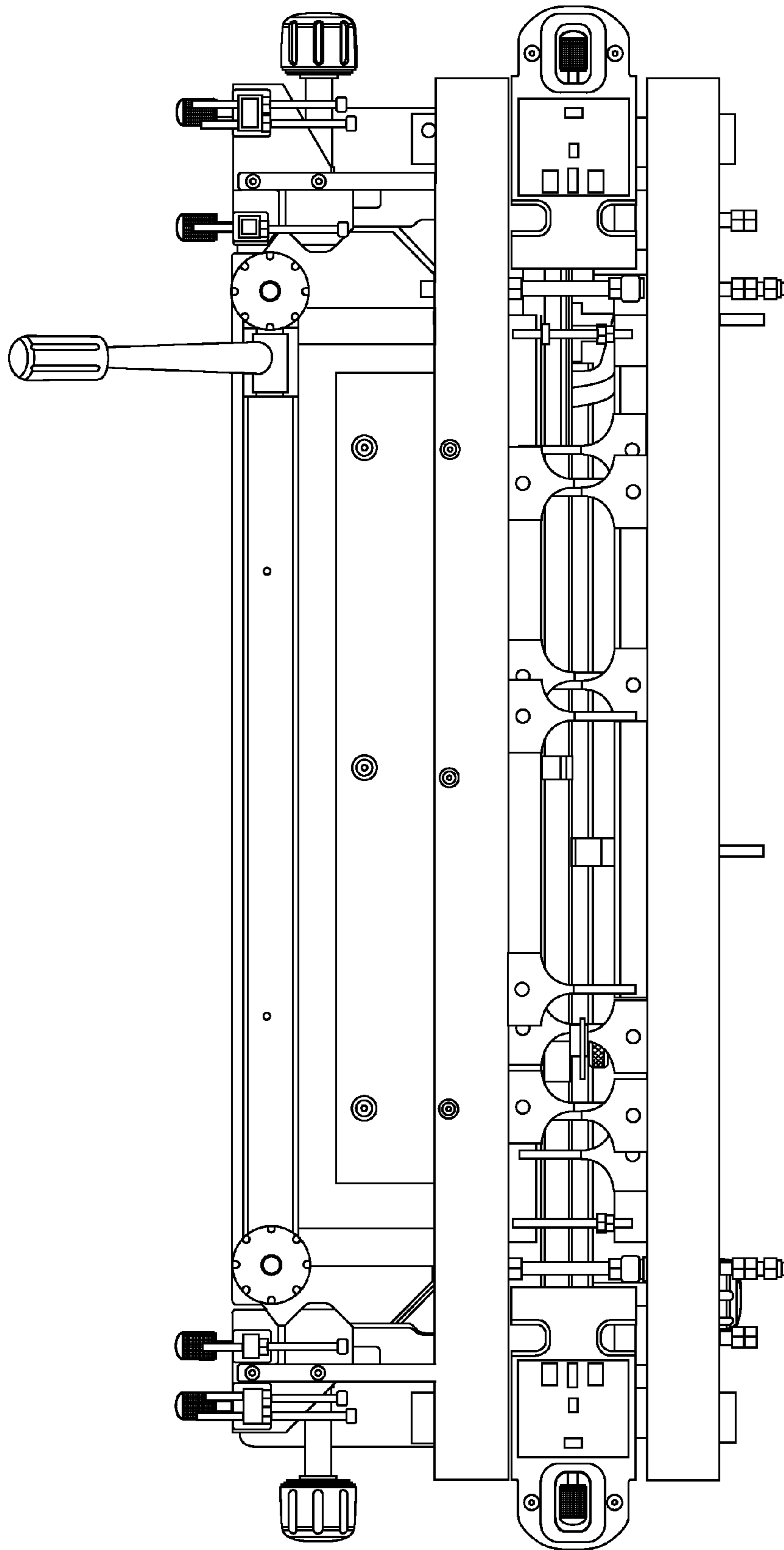


Fig. 6

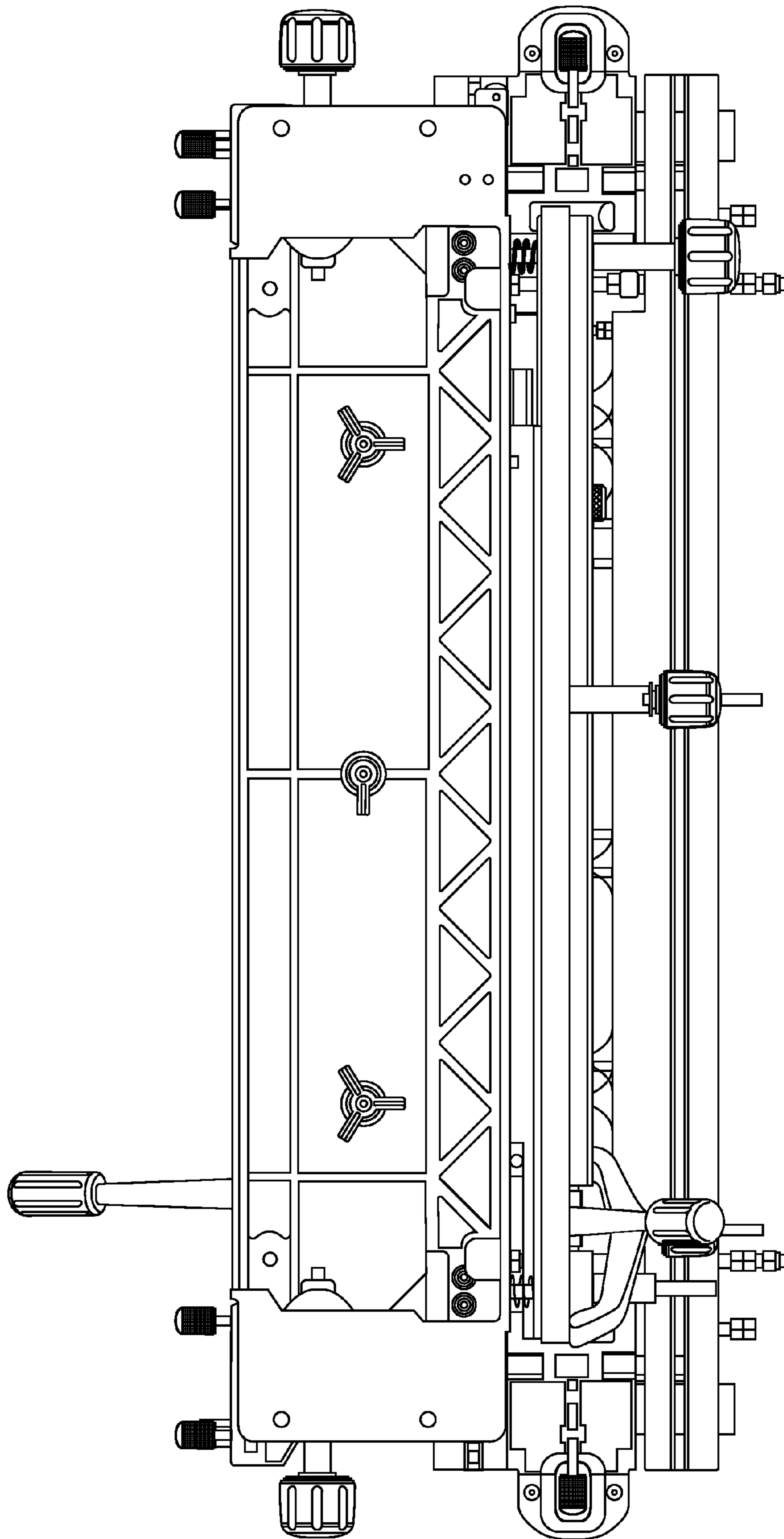


Fig. 7