



US00D574863S

(12) **United States Design Patent**  
**Nagler et al.**

(10) **Patent No.:** **US D574,863 S**

(45) **Date of Patent:** **\*\* Aug. 12, 2008**

(54) **MOTORWELL THROUGHULL**

(75) Inventors: **Wylie Davin Nagler**, Osprey, FL (US);  
**Erie Matthew Bridgewater**, St. Johns,  
FL (US)

(73) Assignee: **GEM Products, Inc.**, Orange Park, FL  
(US)

(\*\*) Term: **14 Years**

(21) Appl. No.: **29/289,769**

(22) Filed: **Jul. 31, 2007**

(51) **LOC (8) Cl.** ..... **15-09**

(52) **U.S. Cl.** ..... **D15/138**

(58) **Field of Classification Search** ..... D3/229;  
D9/503; D15/138, 139; D21/60, 403; D23/262,  
D23/266; 114/86, 88, 89, 182, 183 R, 197;  
137/315.18, 360; 251/143, 152, 315.13;  
285/39, 46, 61, 140.1, 148.19, 179, 206,  
285/219, 220, 231, 247, 281, 334.4, 338,  
285/347, 351, 381.1

See application file for complete search history.

(56) **References Cited**

**U.S. PATENT DOCUMENTS**

277,184 A \* 5/1883 Ryno ..... 54/79.2  
D127,331 S \* 5/1941 Rosenfeld ..... D9/503  
3,011,468 A 12/1961 O’Gara  
4,445,716 A \* 5/1984 Hoffman ..... 285/55  
4,494,820 A \* 1/1985 Klawitter ..... 359/616  
D328,248 S \* 7/1992 Ruff ..... D9/418  
D356,858 S \* 3/1995 Folkman ..... D23/266  
5,429,151 A \* 7/1995 Millett et al. .... 137/315.18

6,086,115 A \* 7/2000 Sahu ..... 285/148.19  
6,345,844 B1 \* 2/2002 Miyajima et al. .... 285/39  
6,736,081 B1 \* 5/2004 Green et al. .... 114/183 R  
D492,600 S \* 7/2004 Moore ..... D9/503  
7,121,526 B2 \* 10/2006 Alvarez ..... 251/215  
2007/0163480 A1 \* 7/2007 Cotton ..... 114/197

\* cited by examiner

*Primary Examiner*—Sandra Snapp

*Assistant Examiner*—Patricia Palasik

(74) *Attorney, Agent, or Firm*—Seyfarth Shaw LLP

(57) **CLAIM**

The ornamental design for a motorwell throughhull, as shown and described.

**DESCRIPTION**

The present application is related to co-depending U.S. patent application Ser. No. 11/888,120, titled “Motorwell Throughhull,” and filed Jul. 31, 2007.

FIG. 1 is a perspective view of a first embodiment of a motorwell throughhull of our new design;

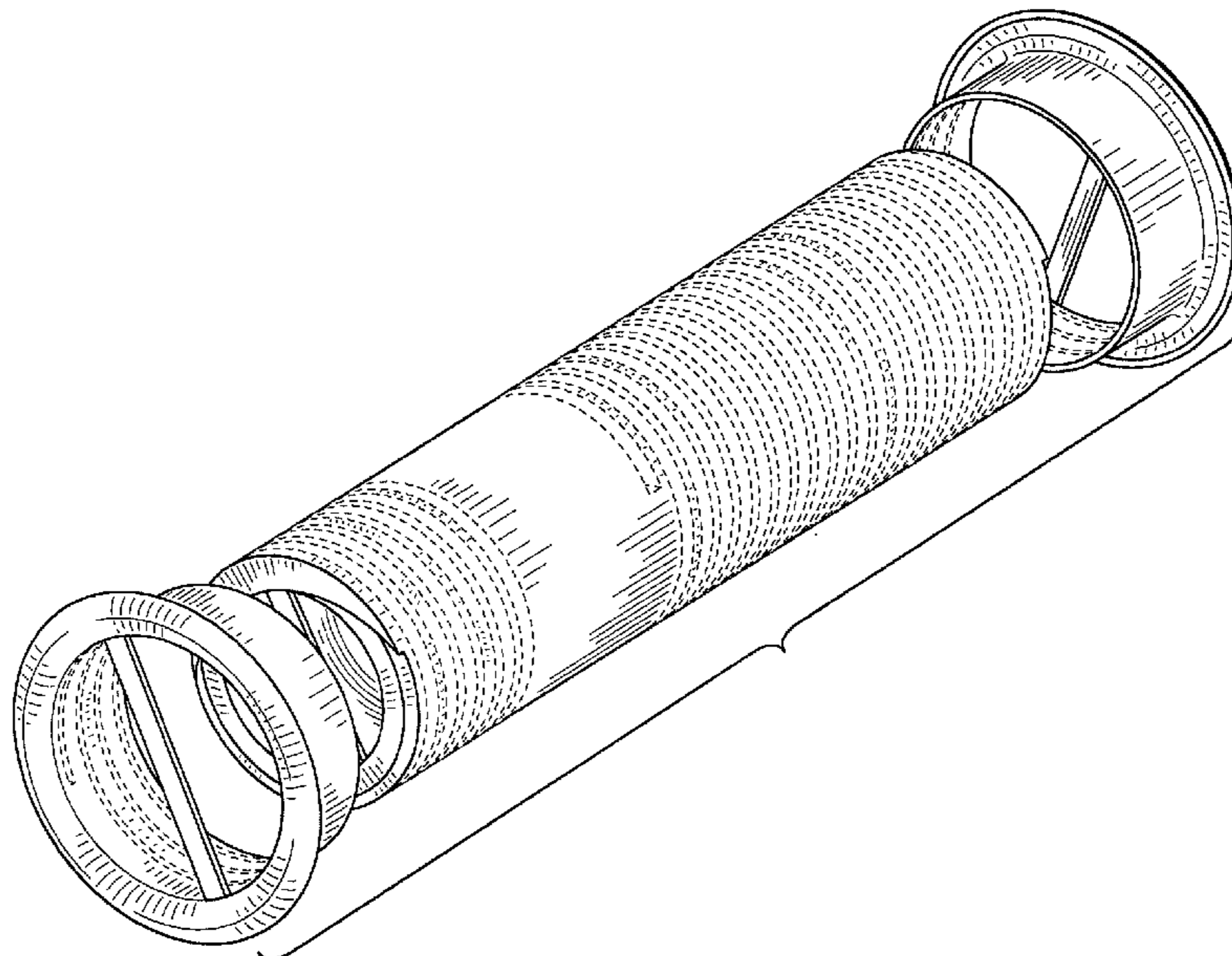
FIG. 2 is a top plan view of the embodiment of FIG. 1 thereof; FIG. 3 is a bottom plan view of the embodiment of FIG. 1 thereof;

FIG. 4 is a left side elevational view of the embodiment of FIG. 1 thereof; and,

FIG. 5 is a right side elevational view of the embodiment of FIG. 1 thereof.

Any components in the appended drawings shown in broken lines are for illustrative purposes only and form no part of the claimed design or specified embodiment thereof.

**1 Claim, 2 Drawing Sheets**



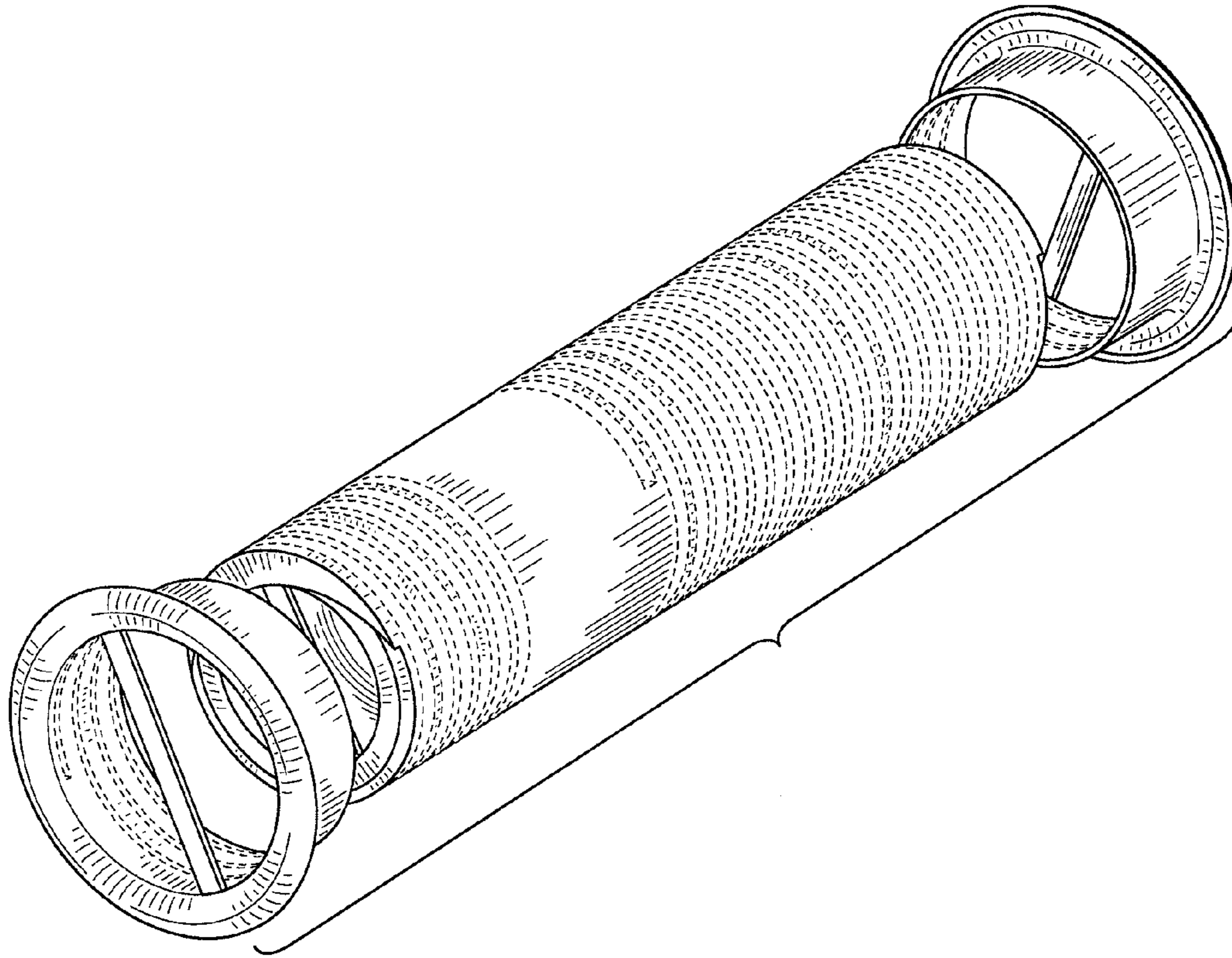


FIG. 1

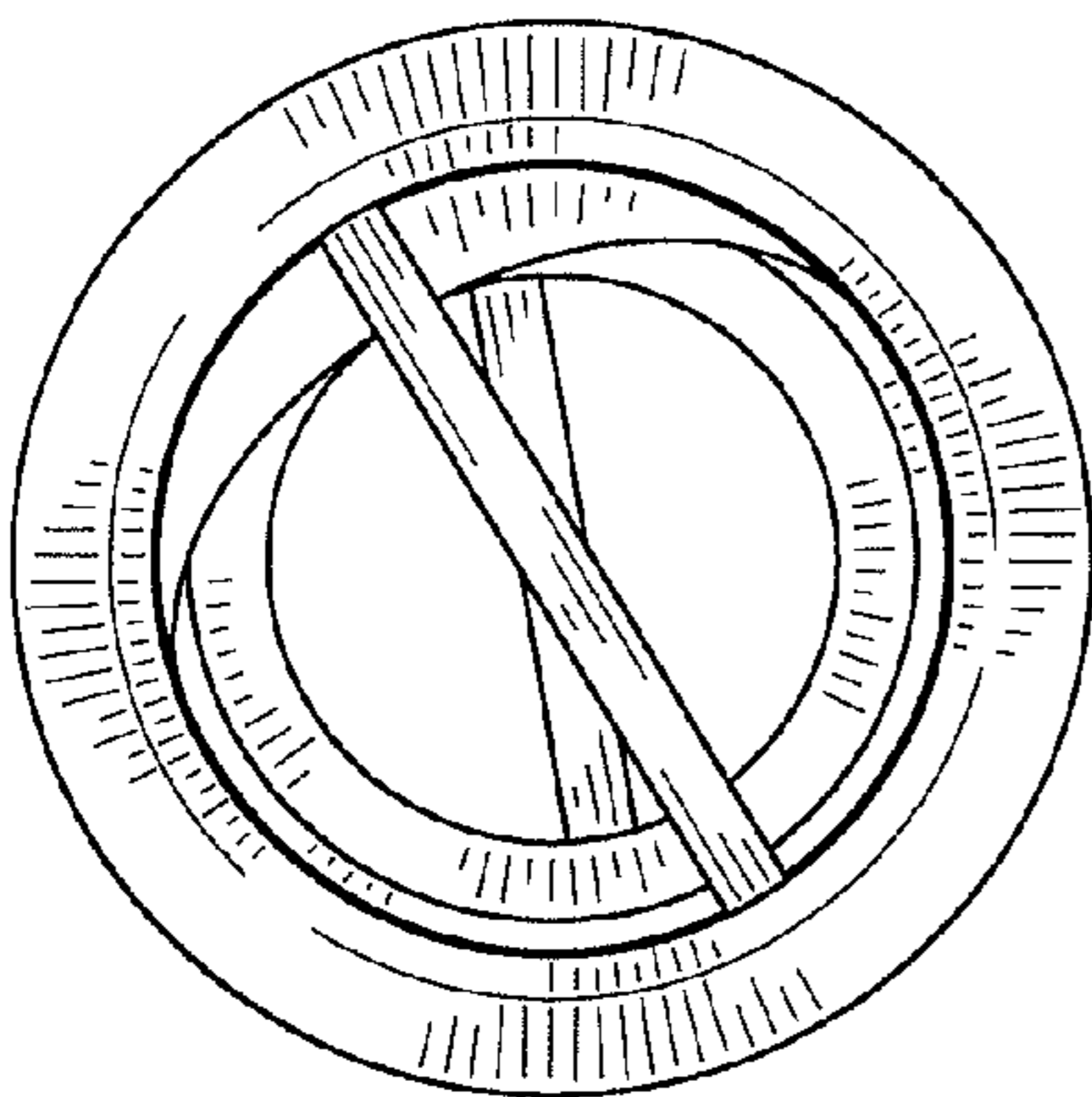


FIG. 2

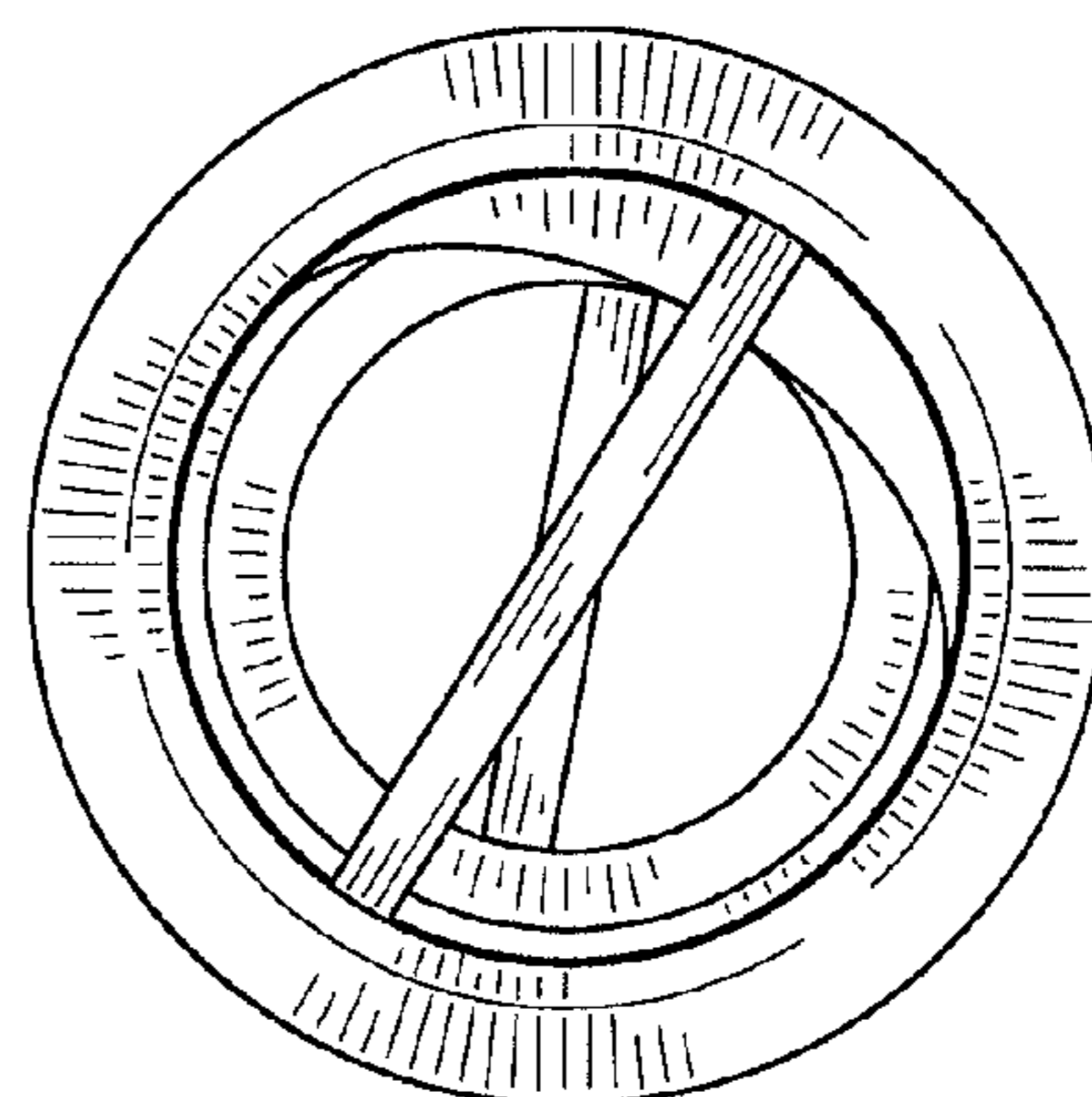


FIG. 3

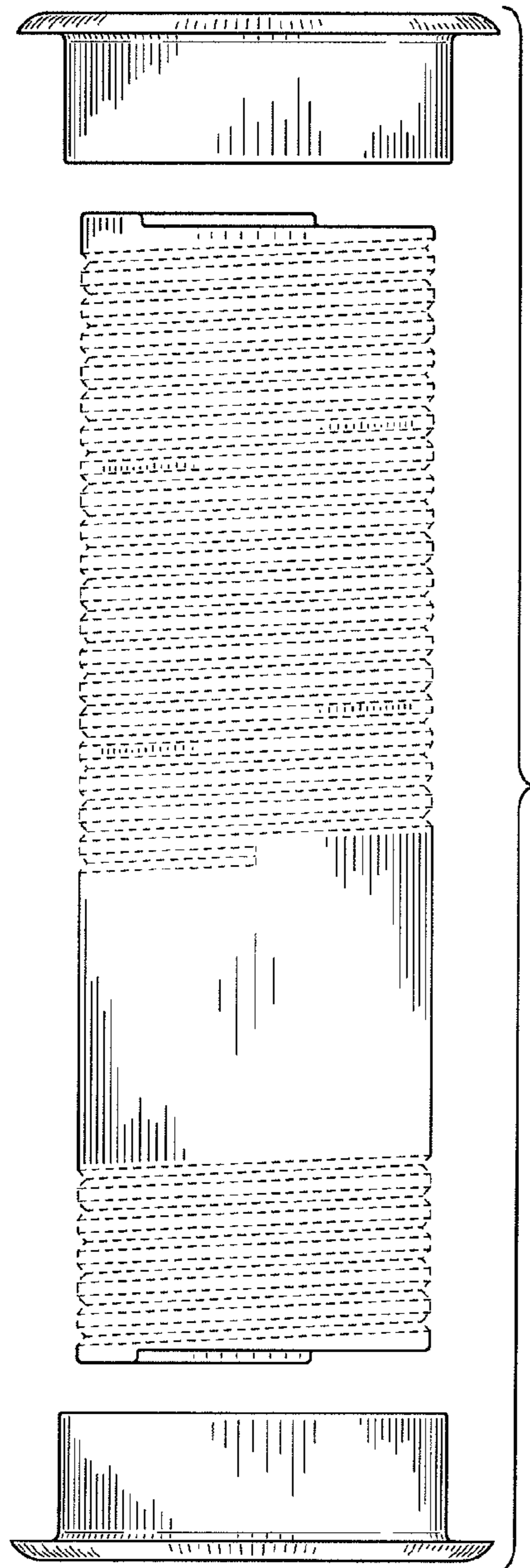


FIG. 4

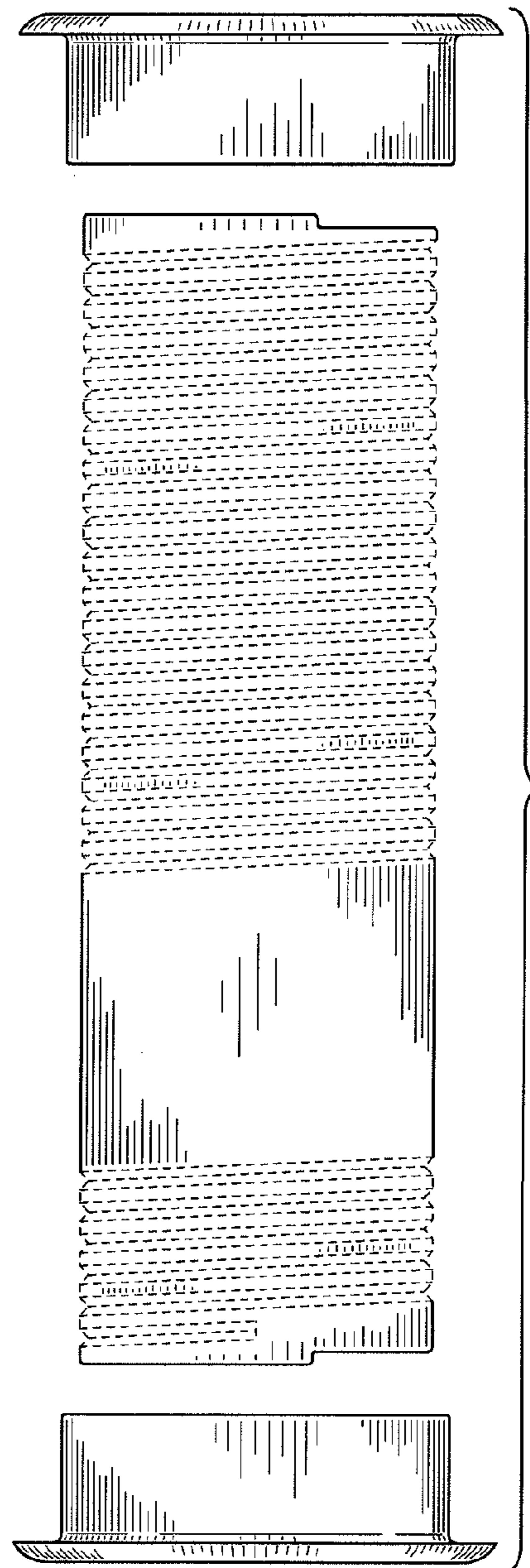


FIG. 5