



US00D574862S

(12) **United States Design Patent**  
**Reilly**

(10) **Patent No.:** **US D574,862 S**

(45) **Date of Patent:** **\*\* Aug. 12, 2008**

(54) **MAGNETIC BASE**

(76) **Inventor:** **Paul Reilly**, 1534 N. Moorpark Rd.,  
#505, Thousand Oaks, CA (US) 91360

(\*\*) **Term:** **14 Years**

(21) **Appl. No.:** **29/289,842**

(22) **Filed:** **Aug. 6, 2007**

(51) **LOC (8) Cl.** ..... **15-09**

(52) **U.S. Cl.** ..... **D15/133**

(58) **Field of Classification Search** ..... D8/70,  
D8/71; D15/133, 140; 24/303; 206/350,  
206/818; 211/DIG. 1, 70.6; 248/205.3, 206.5,  
248/220.43, 222.12, 285, 309.4, 314, 683;  
269/8; 294/65.5, 88; 335/285-288, 295;  
401/131

See application file for complete search history.

(56) **References Cited**

**U.S. PATENT DOCUMENTS**

D152,887 S *	3/1949	Sergi	.....	D8/70
3,552,705 A *	1/1971	Caster	.....	248/309.4
3,604,122 A *	9/1971	Dupuis	.....	33/636
3,641,337 A *	2/1972	Bahnsen	.....	248/309.4
3,762,452 A *	10/1973	Bernald	.....	144/154.5
3,827,020 A *	7/1974	Okamoto	.....	248/309.4
4,405,108 A *	9/1983	Muirhead	.....	248/309.4
D323,830 S *	2/1992	Sergi	.....	D15/5
D343,781 S *	2/1994	Baughman	.....	D8/71
D344,880 S *	3/1994	Salas, Jr.	.....	D8/70
5,525,950 A *	6/1996	Wang	.....	335/288
5,703,735 A *	12/1997	Bleeke	.....	360/256.2
D395,811 S *	7/1998	Li	.....	D8/70
5,992,807 A *	11/1999	Tarulli	.....	248/309.4
6,305,656 B1 *	10/2001	Wemyss	.....	248/309.4

6,606,767 B2 *	8/2003	Wong	.....	24/303
6,776,551 B2 *	8/2004	Linnenbuerger	.....	403/90
2004/0238466 A1 *	12/2004	Shiao	.....	211/70.6
2005/0278903 A1 *	12/2005	Dunaye	.....	24/303
2008/0023607 A1 *	1/2008	Barker	.....	248/288.51

\* cited by examiner

*Primary Examiner*—Sandra Snapp

*Assistant Examiner*—Patricia Palasik

(74) *Attorney, Agent, or Firm*—Alan A. Dicke, Jr.

(57) **CLAIM**

The ornamental design for a magnetic base, as shown and described.

**DESCRIPTION**

The magnetic base magnetically attaches itself to a ferrous support and can support other structures on itself. For example, a strap, which is shown in dashed lines, can be attached thereto.

FIG. 1 is a perspective view of a magnetic base showing my new design.

FIG. 2 is a left side view thereof, with a strap shown in dashed lines. The right side view is a mirror image thereof.

FIG. 3 is a front view thereof, with the strap shown in dashed lines.

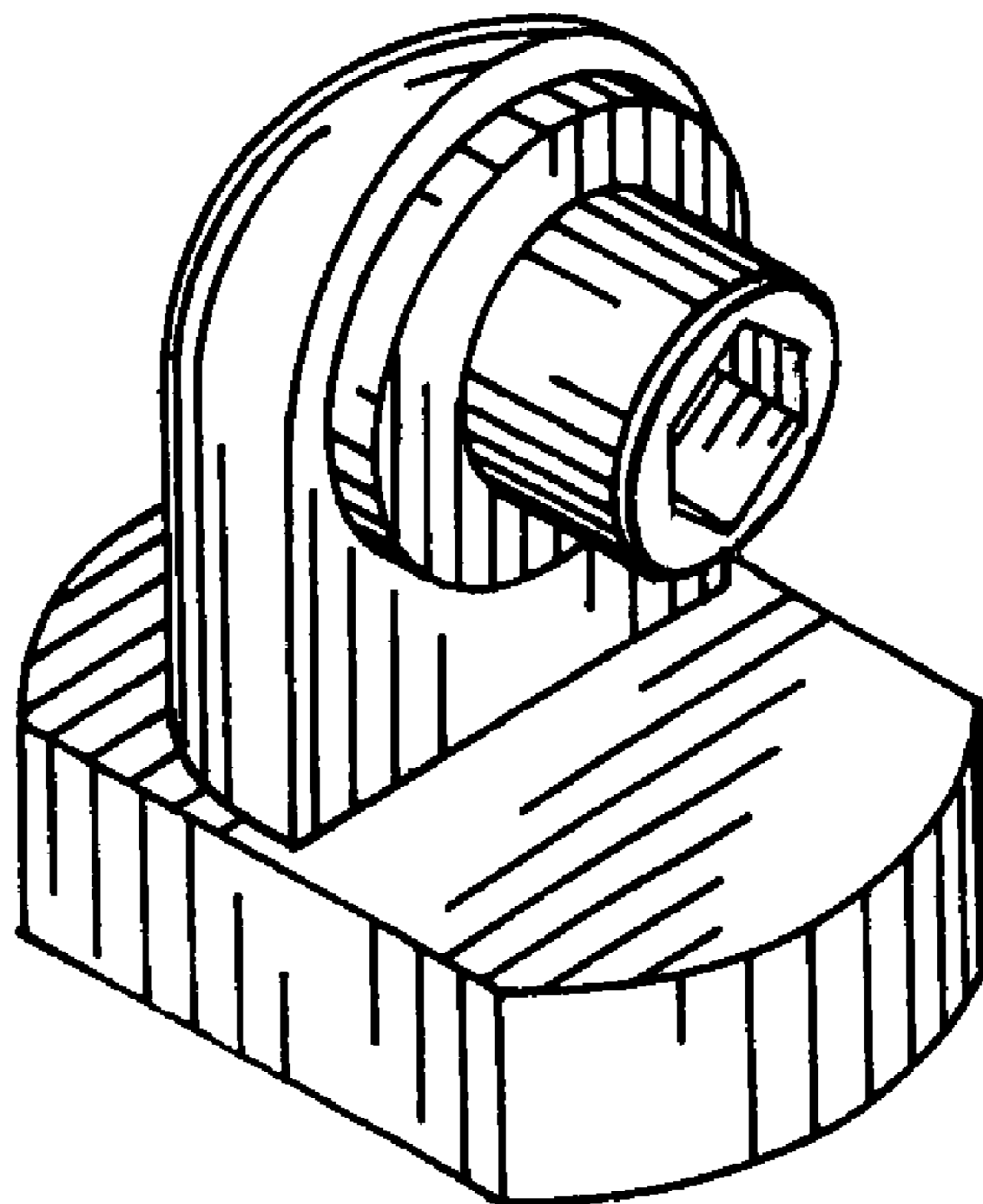
FIG. 4 is a top view thereof.

FIG. 5 is a back view thereof; and,

FIG. 6 is a bottom view thereof.

The broken line showing of the strap is included for the purpose of illustrating environment and forms no part of the claimed design.

**1 Claim, 1 Drawing Sheet**



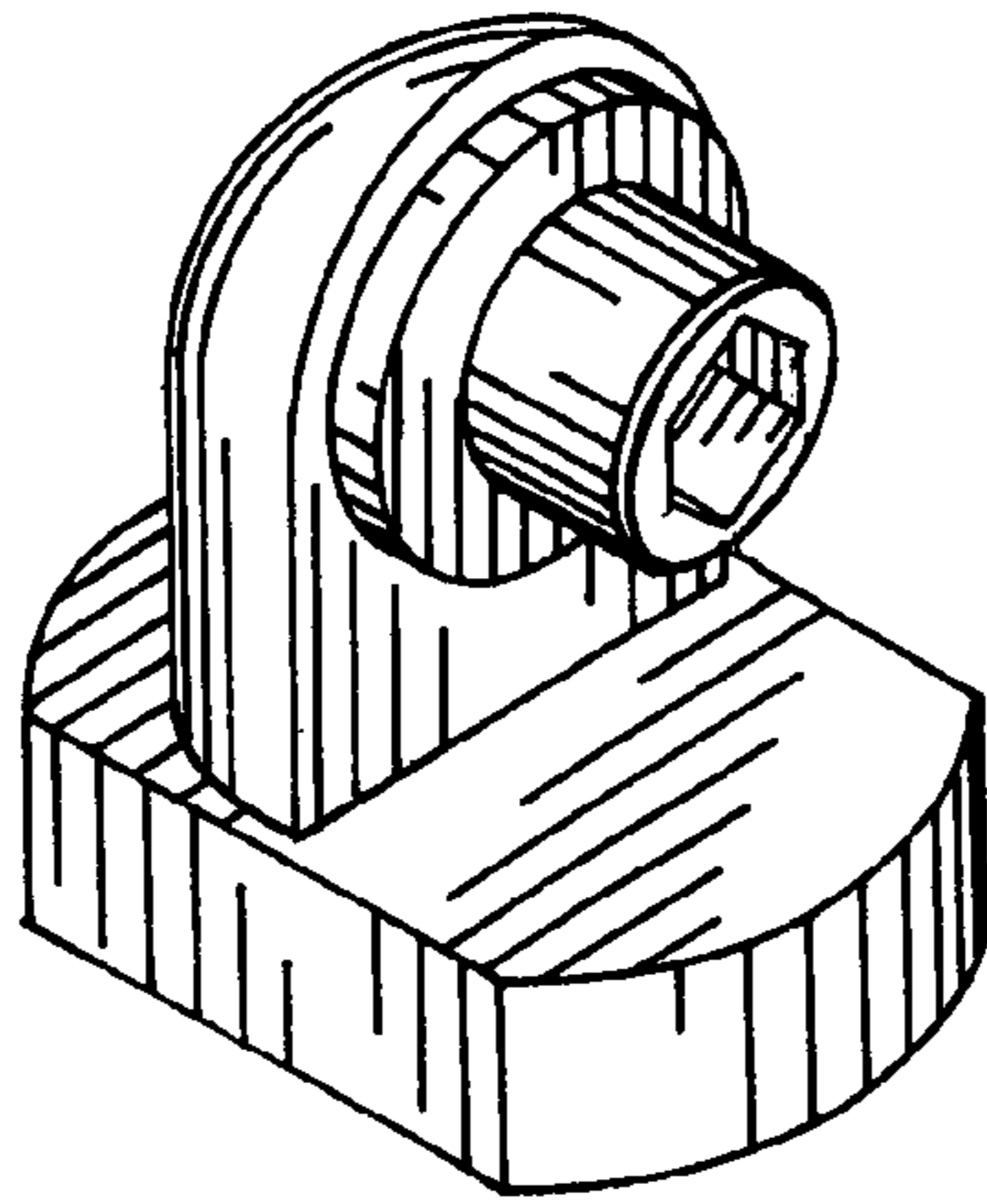


FIG. 1

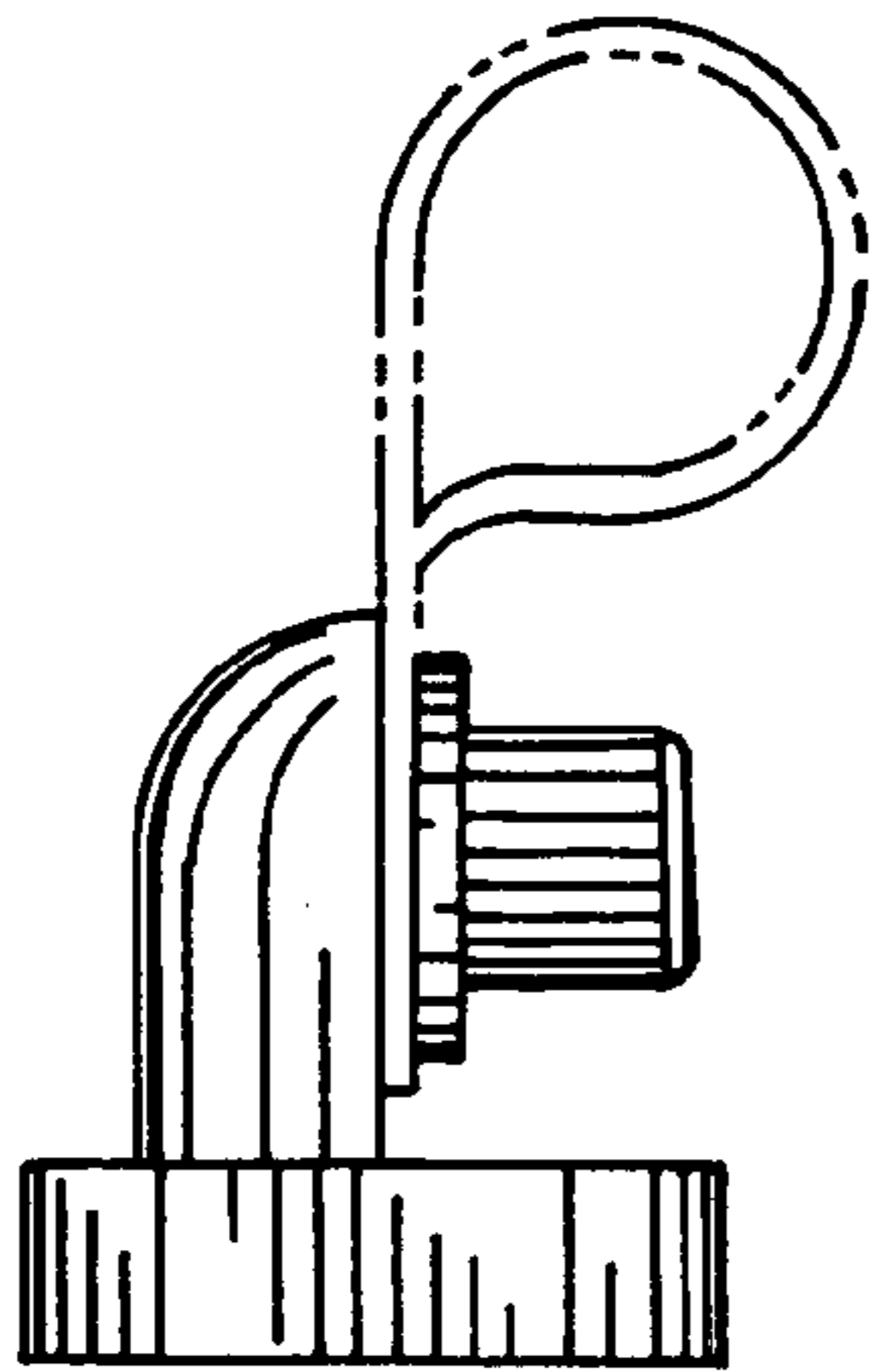


FIG. 2

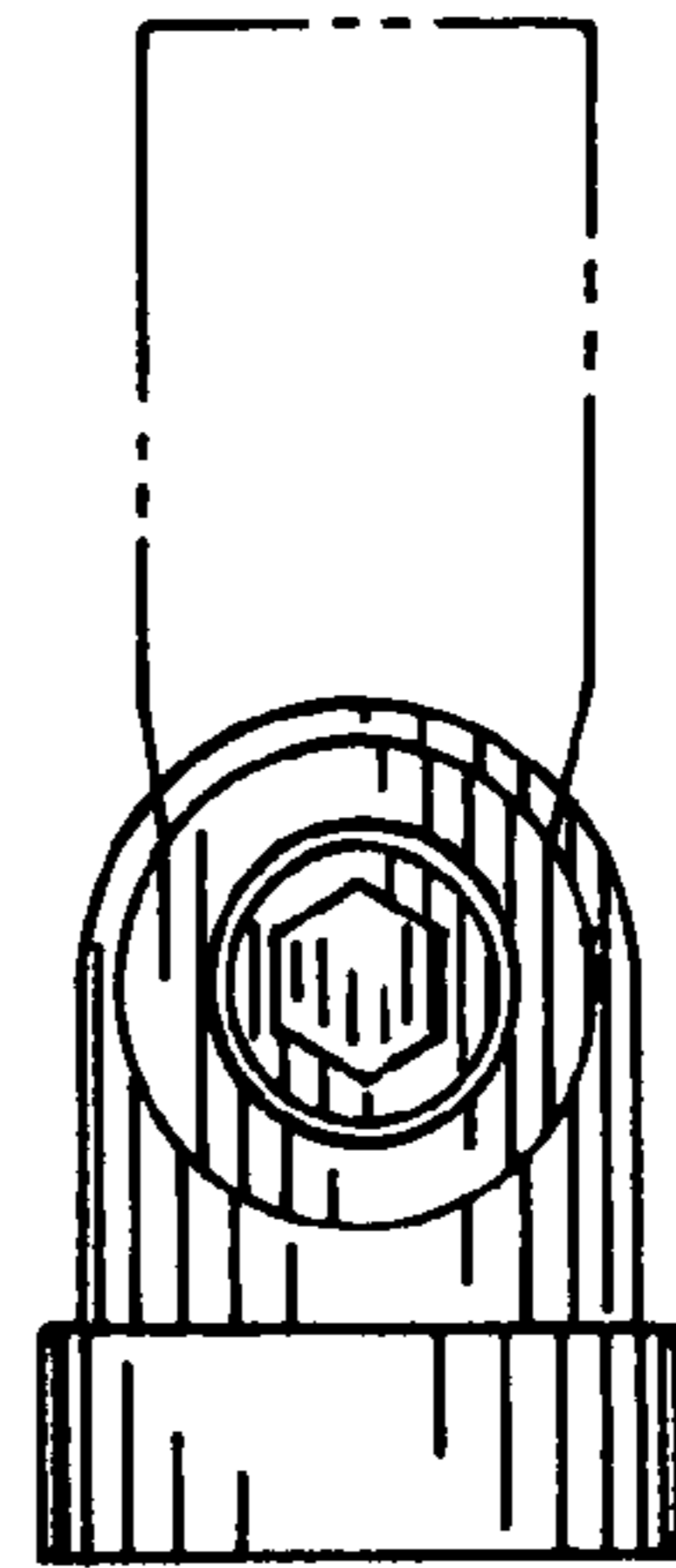


FIG. 3

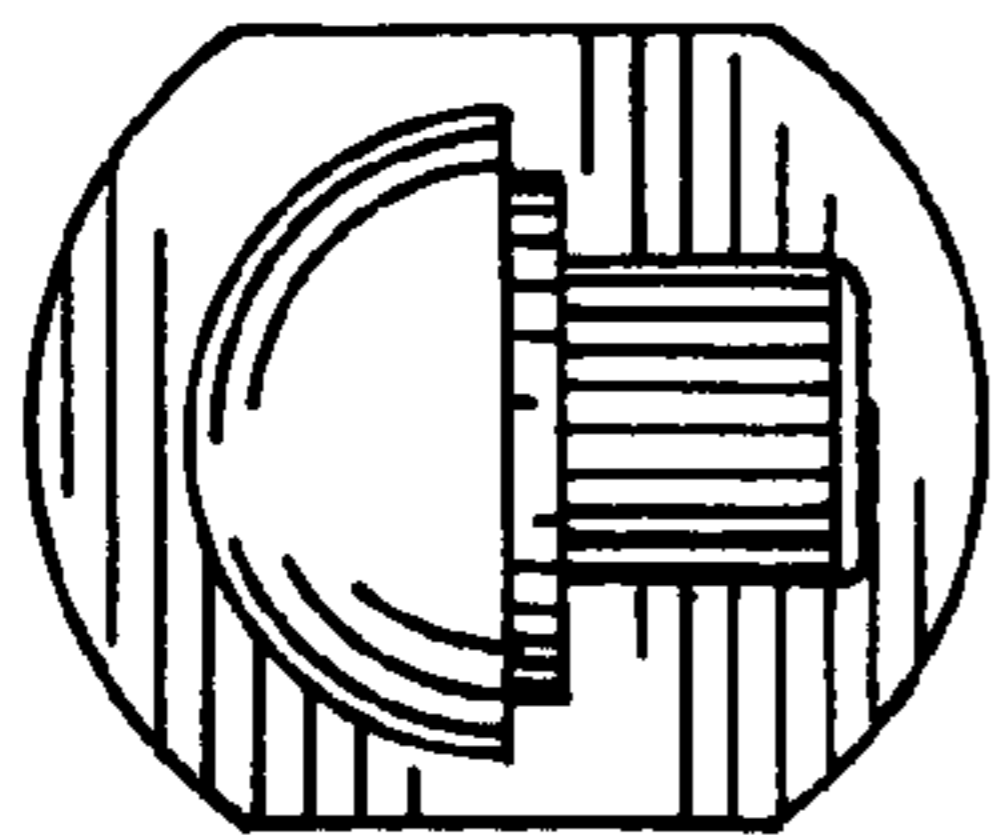


FIG. 4

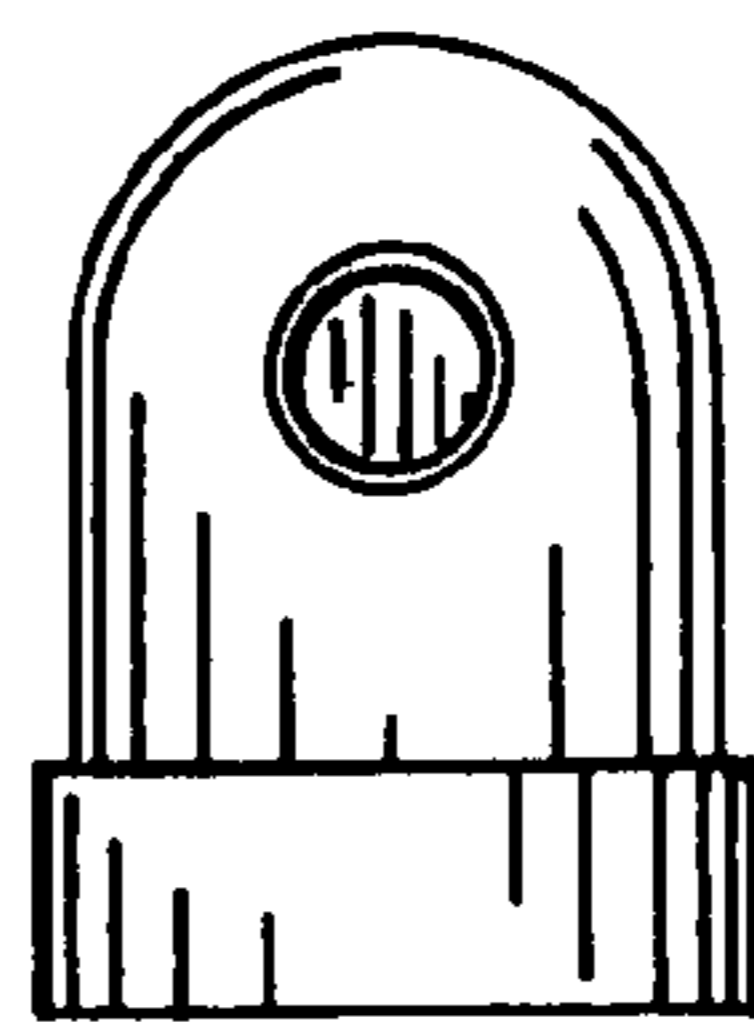


FIG. 5

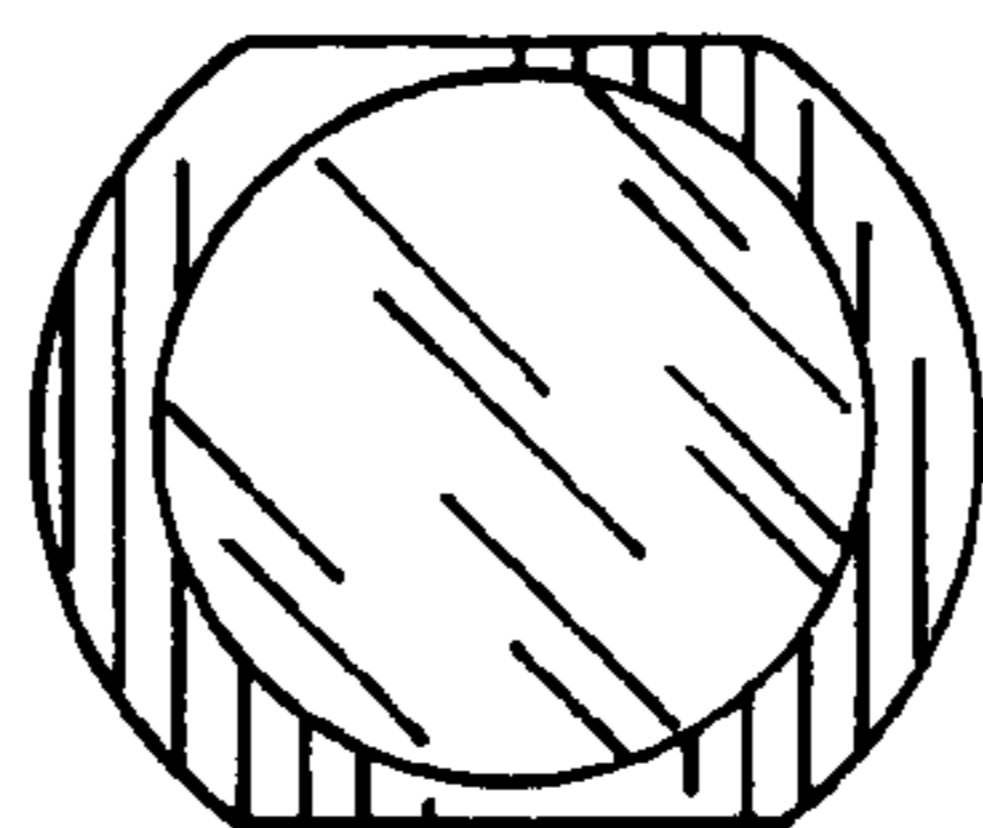


FIG. 6