



US00D574861S

(12) **United States Design Patent**
Smith et al.

(10) **Patent No.:** **US D574,861 S**
(45) **Date of Patent:** **** Aug. 12, 2008**

(54) **LATHE**

(75) Inventors: **Anthony Smith**, Jackson, TN (US);
Jeremy D. Leasure, Jackson, TN (US);
Craig R. Steinfels, Jackson, TN (US)

(73) Assignee: **Black & Decker Inc.**, Newark, DE (US)

(**) Term: **14 Years**

(21) Appl. No.: **29/288,257**

(22) Filed: **Jun. 5, 2007**

(51) **LOC (8) Cl.** **15-09**

(52) **U.S. Cl.** **D15/130**

(58) **Field of Classification Search** D15/130;
82/112-121, 128, 132, 142, 143, 148, 162,
82/903; 144/16, 114; 142/7

See application file for complete search history.

(56) **References Cited**

U.S. PATENT DOCUMENTS

D338,475 S	8/1993	Wilson et al.
D367,066 S	2/1996	Chen
D401,247 S	11/1998	Wang
5,992,482 A	11/1999	Voisey
D425,916 S	5/2000	Cheng

D446,527 S	8/2001	Hinch et al.	
D459,371 S	6/2002	Wirth, Jr. et al.	
D471,570 S	3/2003	Wang	
D471,924 S	3/2003	Wang	
D504,140 S	4/2005	Lai	
2006/0096423 A1 *	5/2006	Smith et al.	82/148
2006/0272459 A1 *	12/2006	English	82/148

* cited by examiner

Primary Examiner—Antoine D Davis

(74) *Attorney, Agent, or Firm*—Mehul R. Jani; Adan Ayala

(57) **CLAIM**

The ornamental design for a lathe, as shown and described.

DESCRIPTION

FIG. 1 is a perspective view of a lathe showing the new design.

FIG. 2 is a right side view thereof.

FIG. 3 is a left side view thereof.

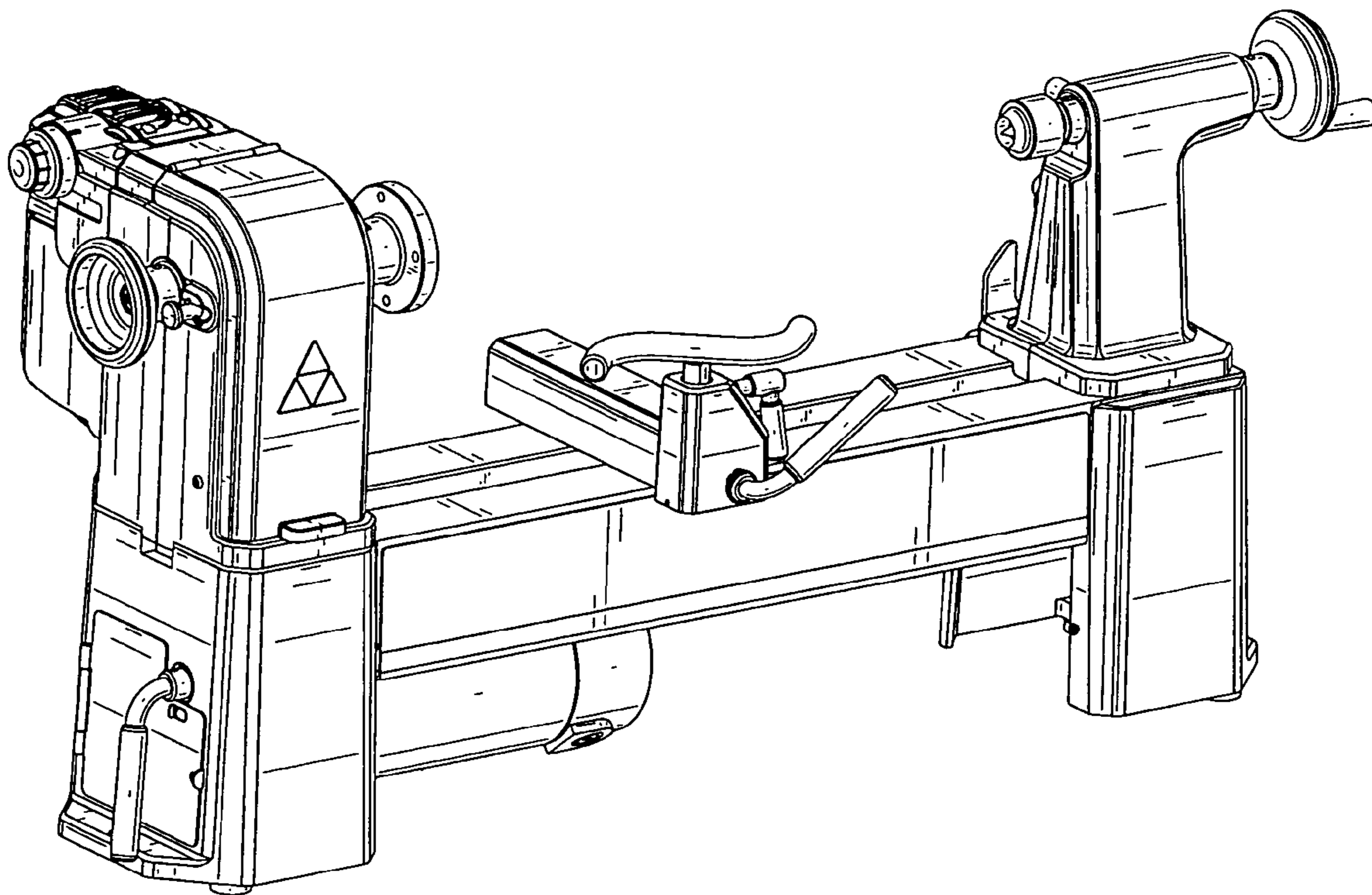
FIG. 4 is a front view thereof.

FIG. 5 is a rear view thereof.

FIG. 6 is a top view thereof; and,

FIG. 7 is a bottom view thereof.

1 Claim, 6 Drawing Sheets



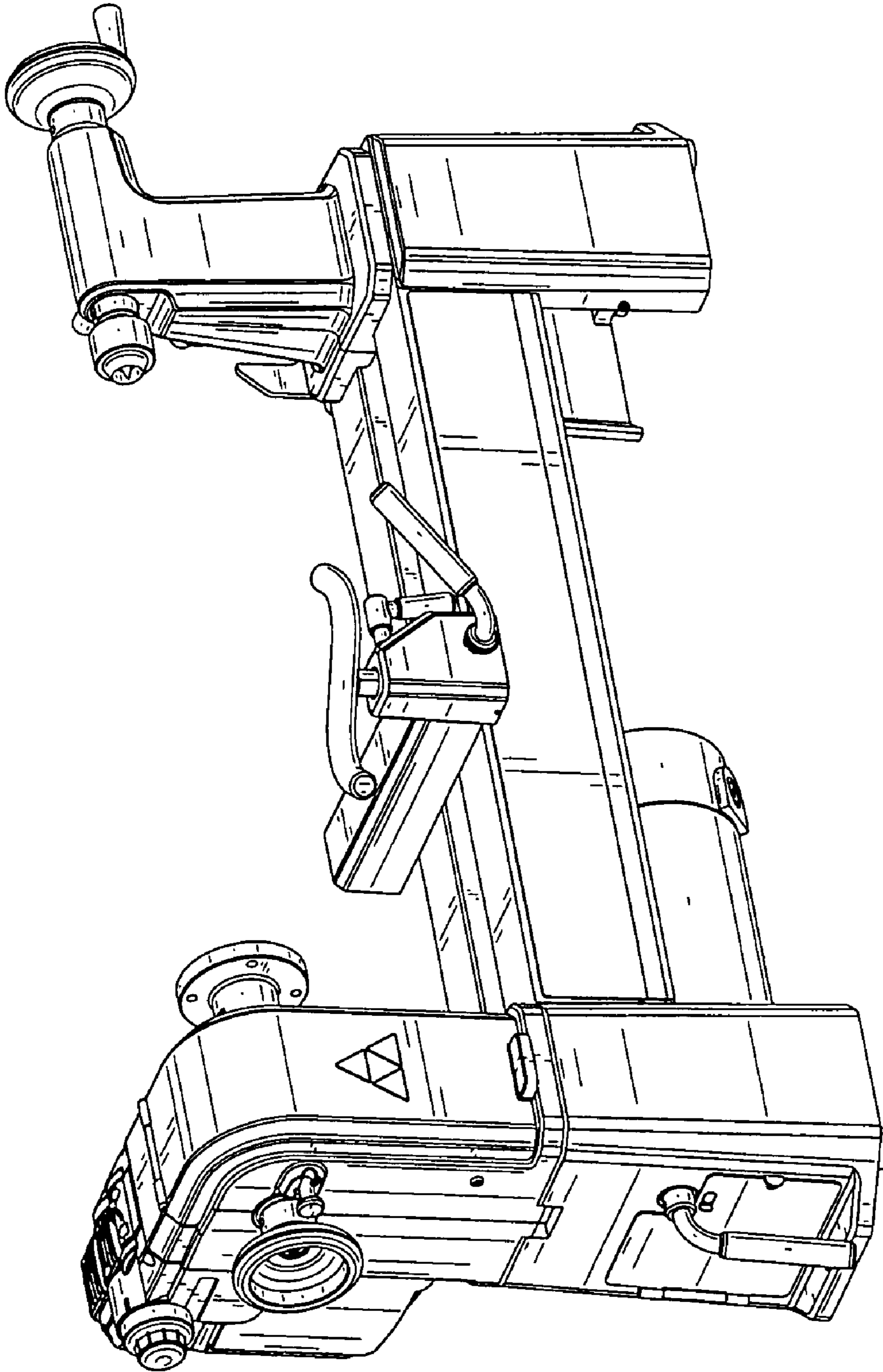


FIG. 1

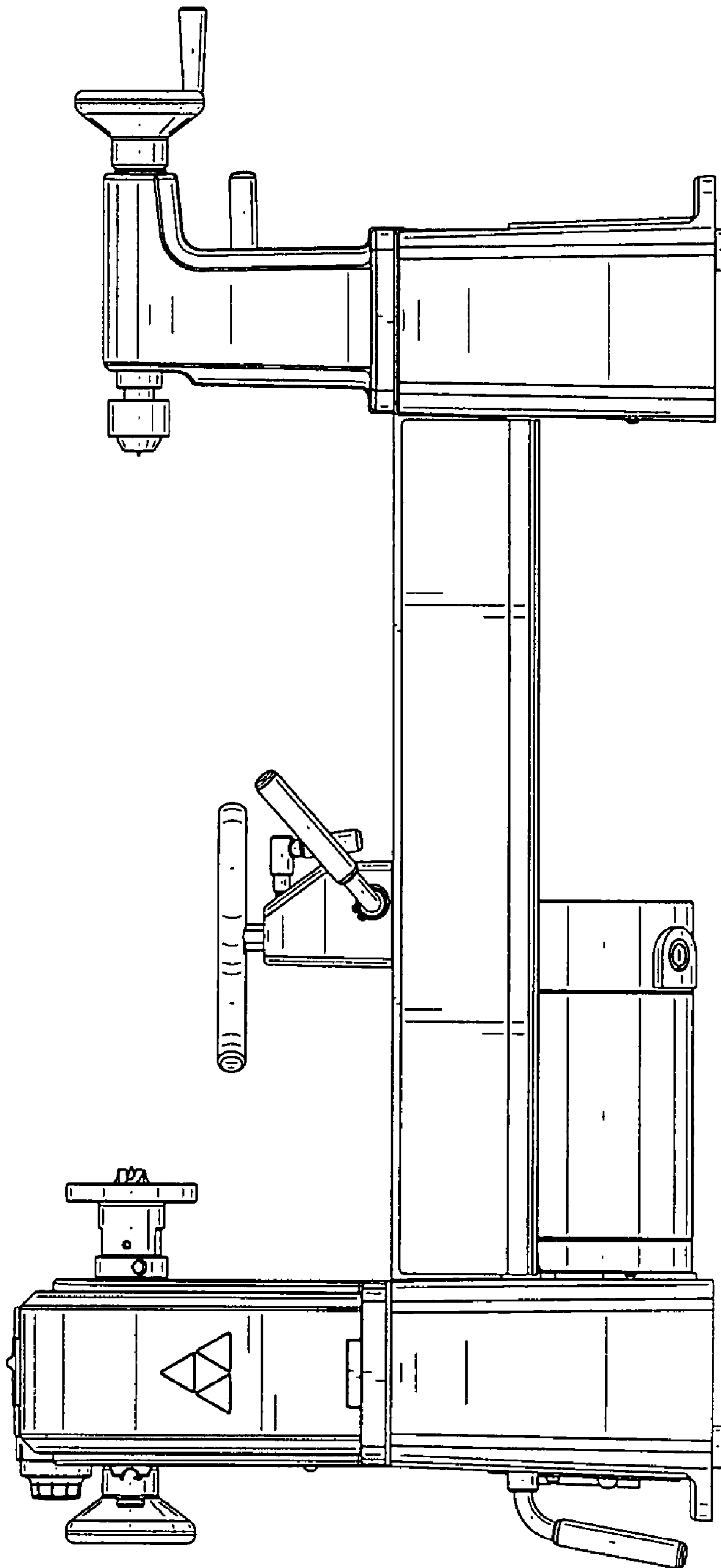


FIG. 2

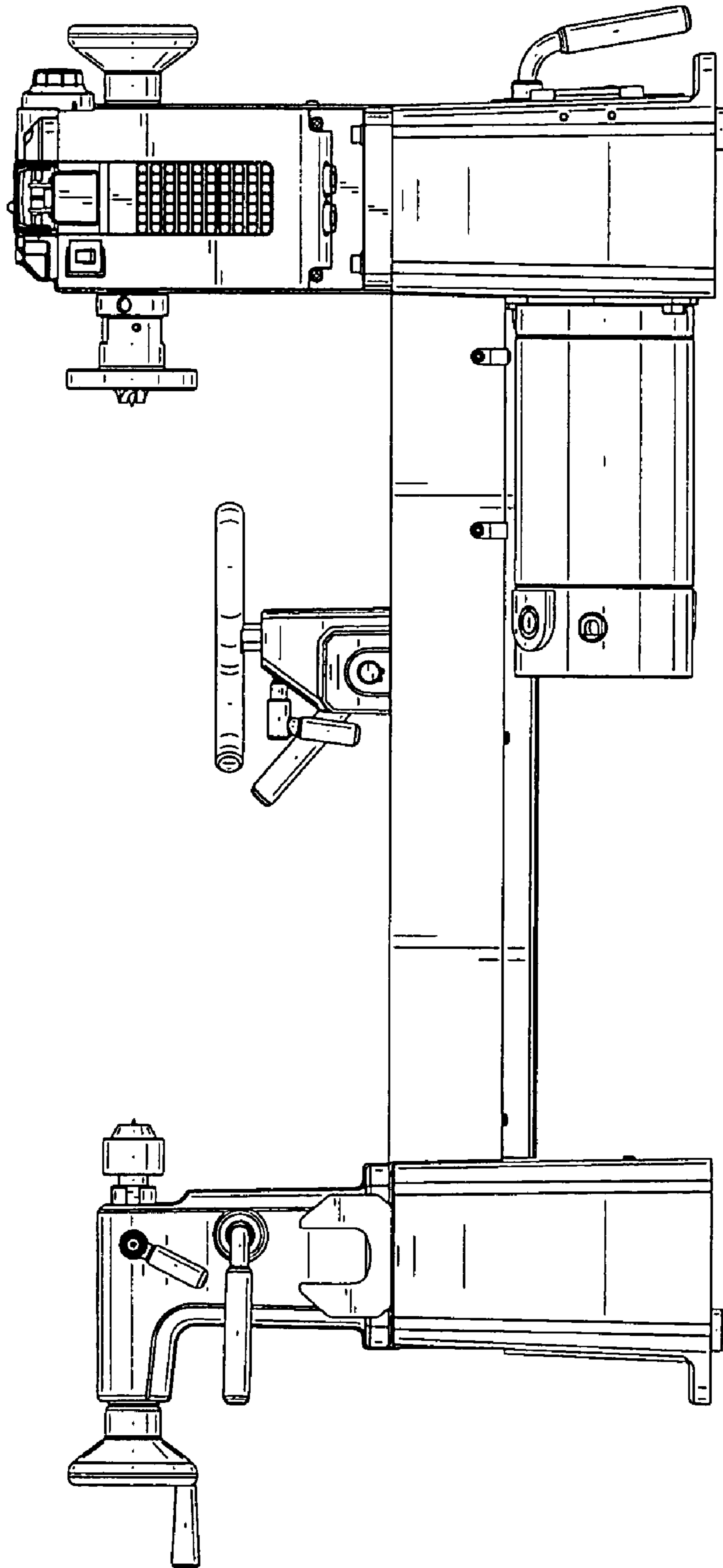


FIG. 3

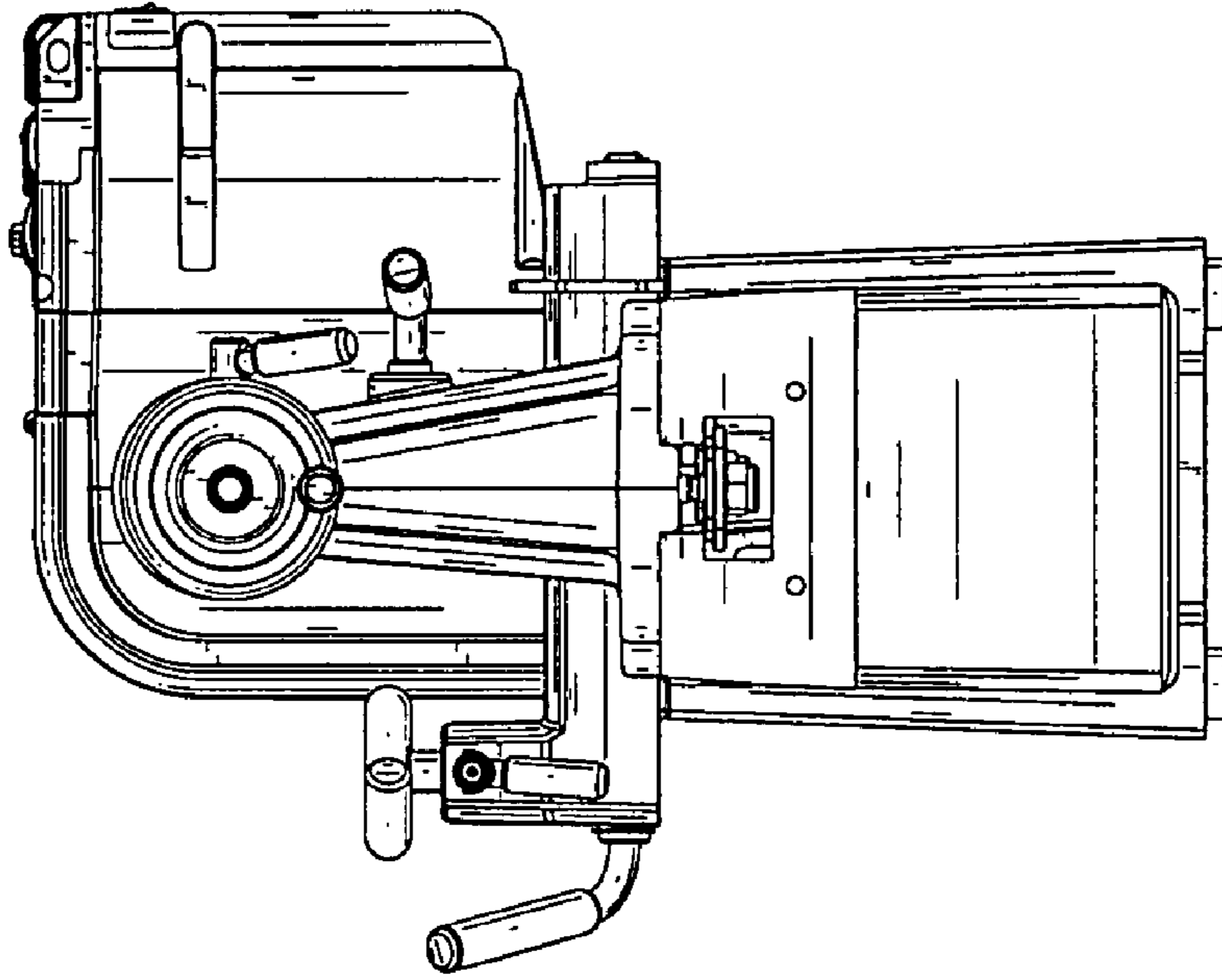


FIG. 5

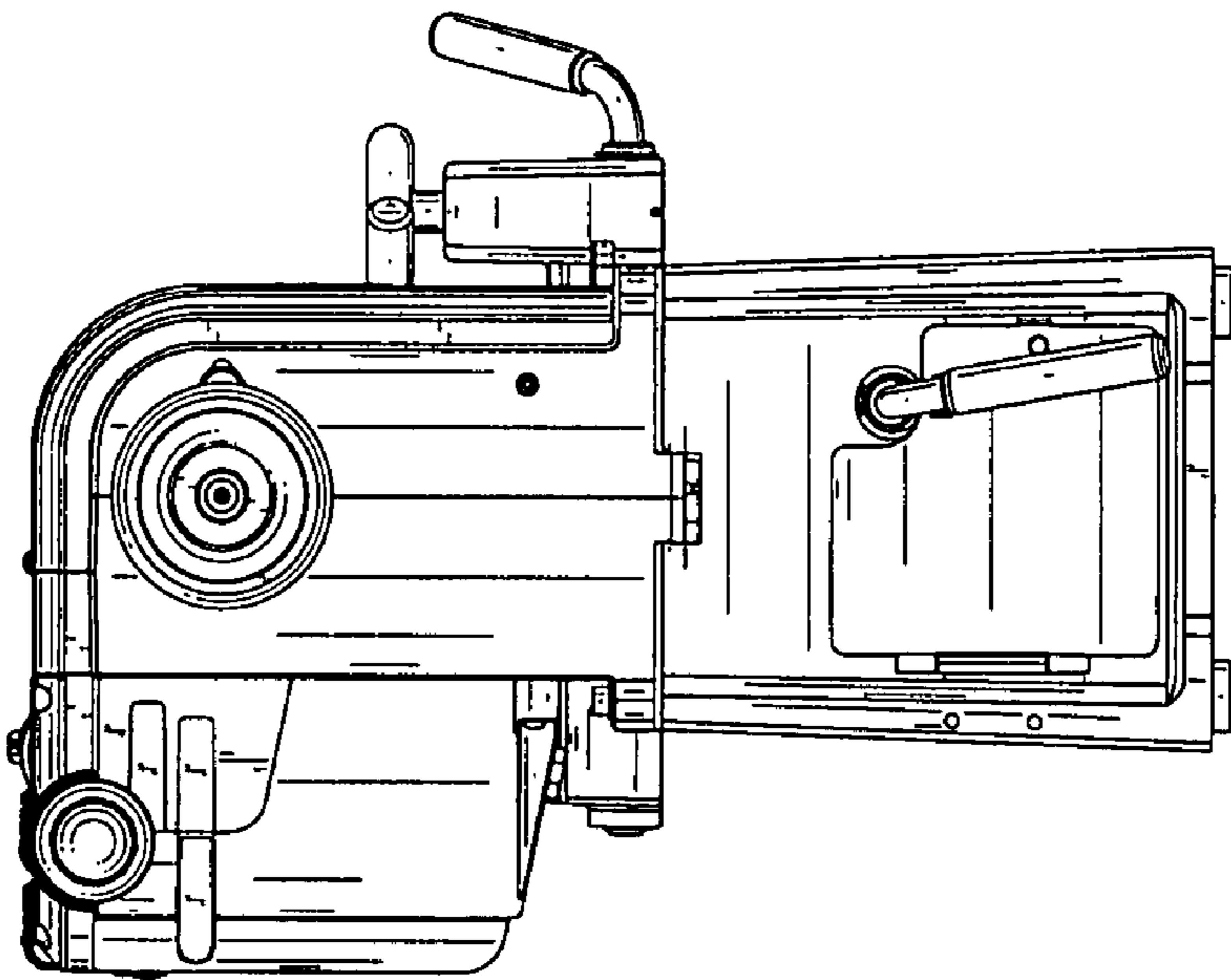


FIG. 4

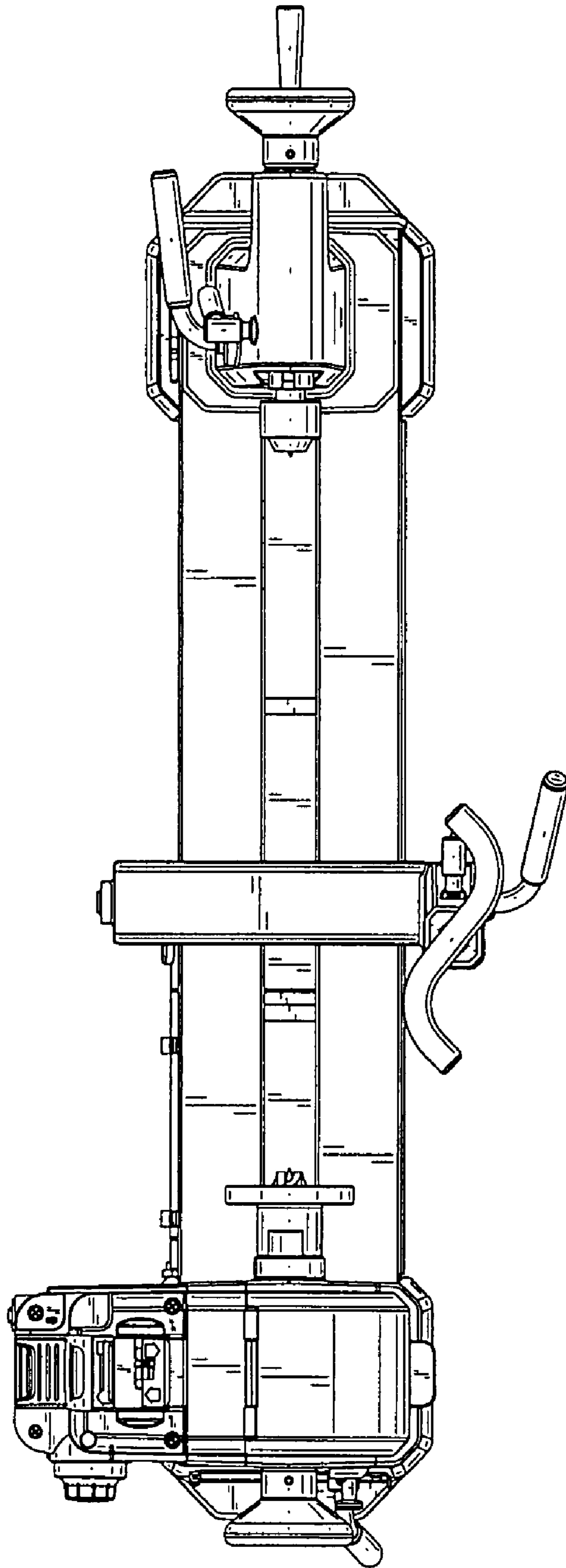


FIG. 6

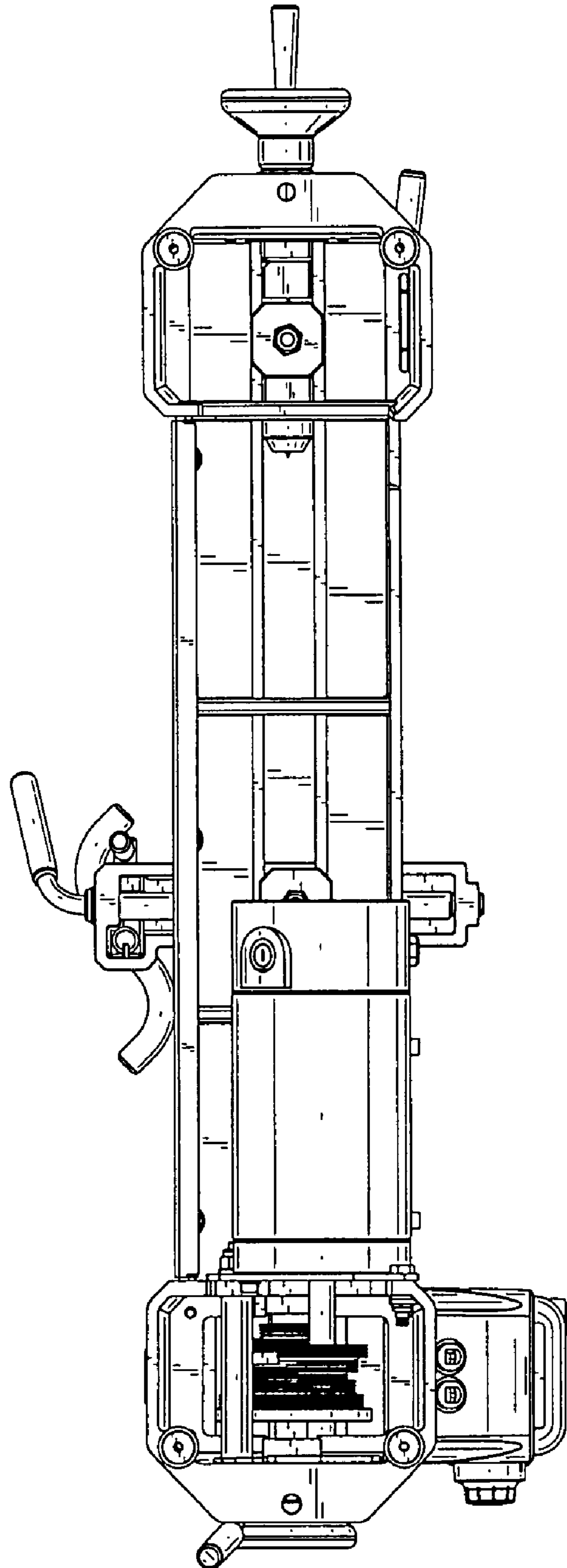


FIG. 7