



US00D574857S

(12) **United States Design Patent**  
**Chu**

(10) **Patent No.:** **US D574,857 S**  
(45) **Date of Patent:** **\*\* Aug. 12, 2008**

(54) **CYLINDER HOUSING FOR AIR COMPRESSOR**

(76) Inventor: **Henry C. Chu**, 133 N. Lemon St., Orange, CA (US) 92866

(\*\*) Term: **14 Years**

(21) Appl. No.: **29/289,110**

(22) Filed: **Jul. 6, 2007**

(51) **LOC (8) Cl.** ..... **15-02**

(52) **U.S. Cl.** ..... **D15/9**

(58) **Field of Classification Search** ..... D15/7-9;  
D23/231, 232; 417/410.1, 359, 415-416,  
417/234, 321, 265, 405

See application file for complete search history.

(56) **References Cited**

**U.S. PATENT DOCUMENTS**

D429,737 S *	8/2000	Kuan et al.	.....	D15/7
D441,767 S *	5/2001	Wolbers	.....	D15/7
D505,961 S *	6/2005	Chu	.....	D15/9
D506,763 S *	6/2005	Chu	.....	D15/9
D530,345 S *	10/2006	Chu	.....	D15/9
D532,020 S *	11/2006	Chu	.....	D15/9
D540,348 S *	4/2007	Chu	.....	D15/7
D540,351 S *	4/2007	Chu	.....	D15/9
D541,819 S *	5/2007	Chu	.....	D15/9
D541,820 S *	5/2007	Chu	.....	D15/9

D541,821 S *	5/2007	Chu	.....	D15/9
D549,242 S *	8/2007	Chu	.....	D15/9
D549,737 S *	8/2007	Chu	.....	D15/9
D559,270 S *	1/2008	Hori et al.	.....	D15/7

\* cited by examiner

*Primary Examiner*—R. Seifert

(74) *Attorney, Agent, or Firm*—Charles E. Baxley

(57) **CLAIM**

The ornamental design for a cylinder housing for air compressor, as shown and described.

**DESCRIPTION**

FIG. 1 is a perspective view of a cylinder housing for air compressor showing my new design;

FIG. 2 is a front elevational view thereof;

FIG. 3 is a rear elevational view thereof;

FIG. 4 is a top plan view thereof;

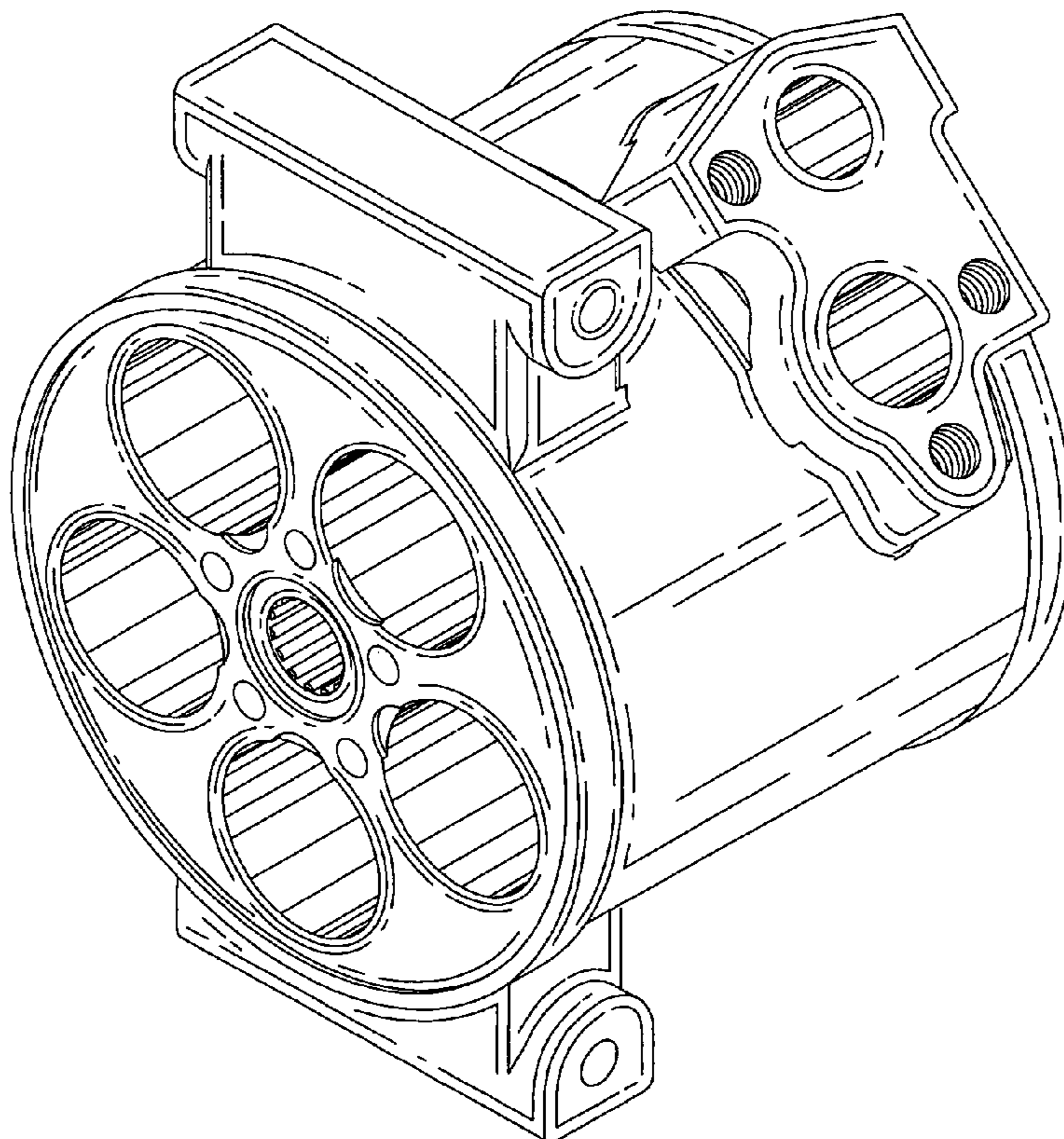
FIG. 5 is a bottom plan view thereof;

FIG. 6 is a left side elevational view thereof;

FIG. 7 is a right side elevational view thereof; and,

FIG. 8 is a perspective view thereof, the ports and the mouths depicted by means of broken lines being for illustrative purposes only and forming no part of the claimed design.

**1 Claim, 5 Drawing Sheets**



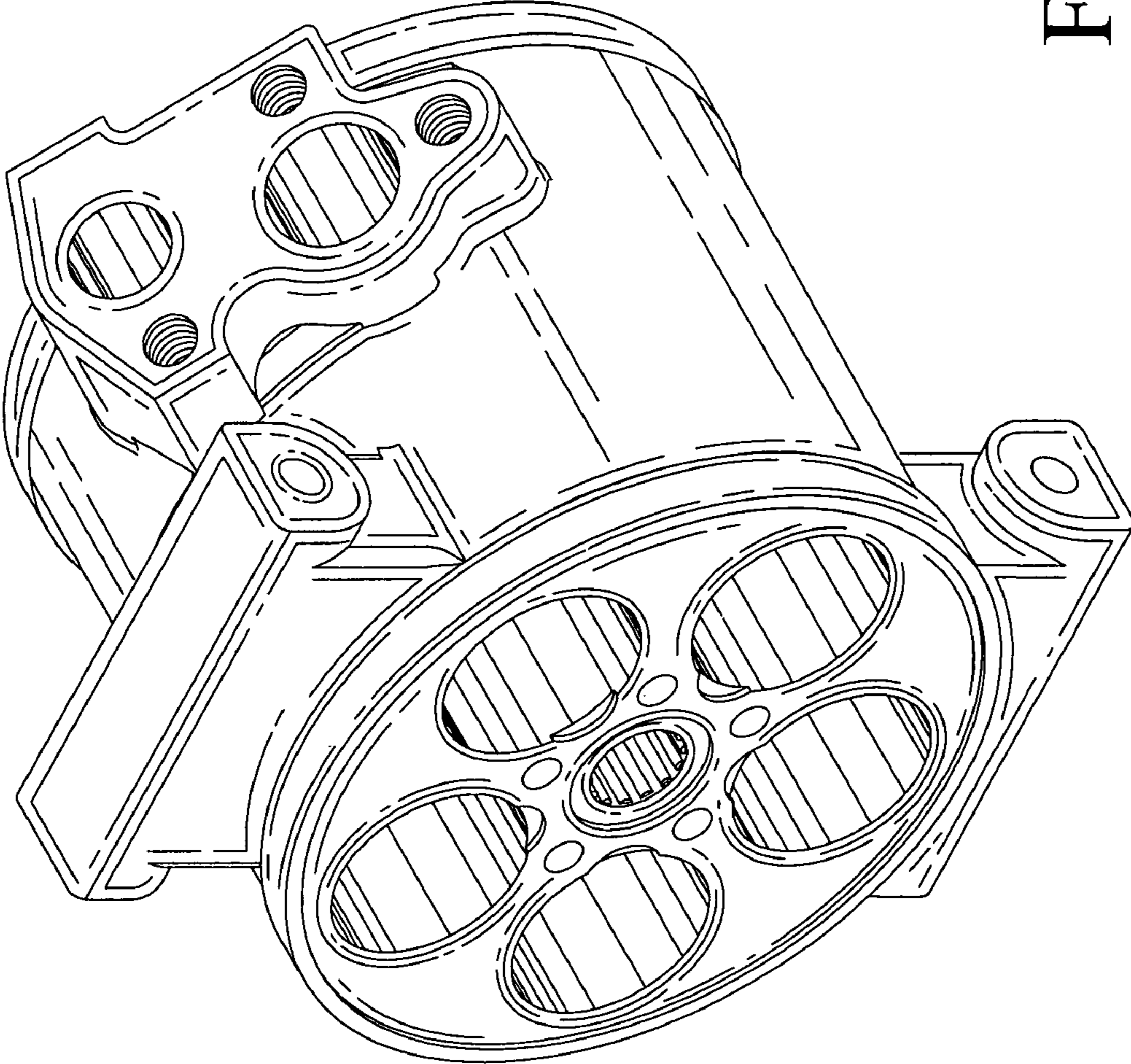


FIG. 1



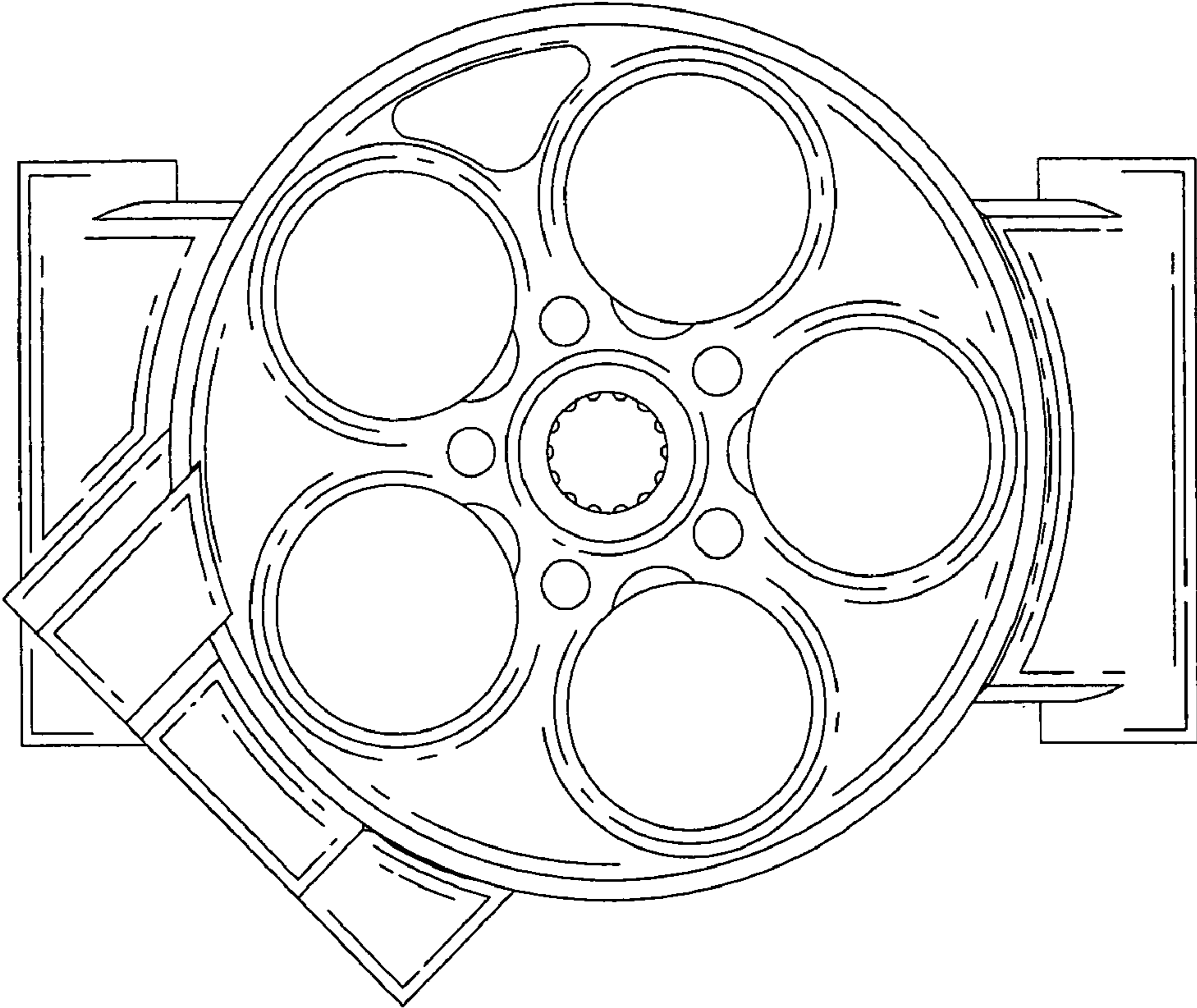


FIG. 3

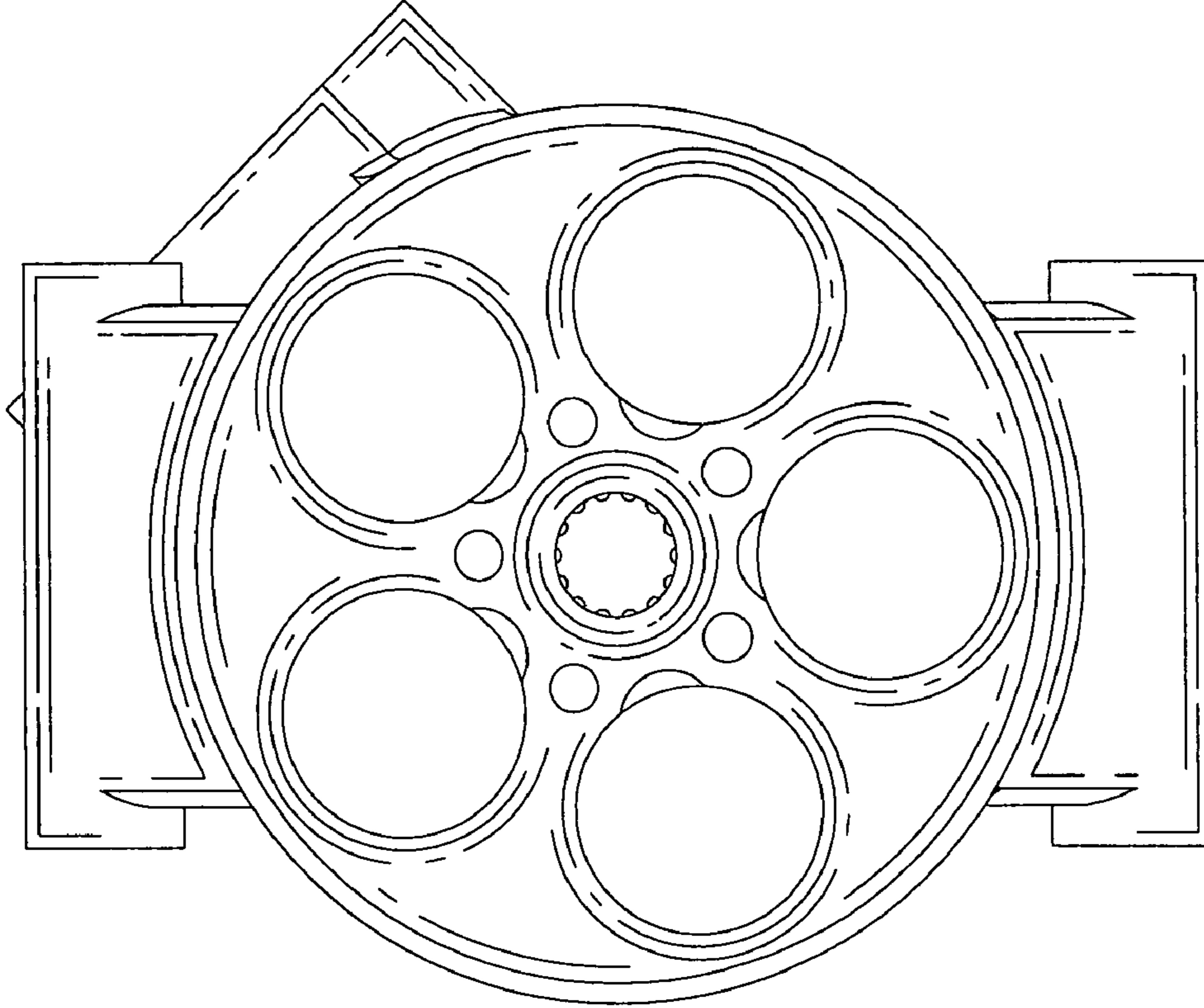


FIG. 2

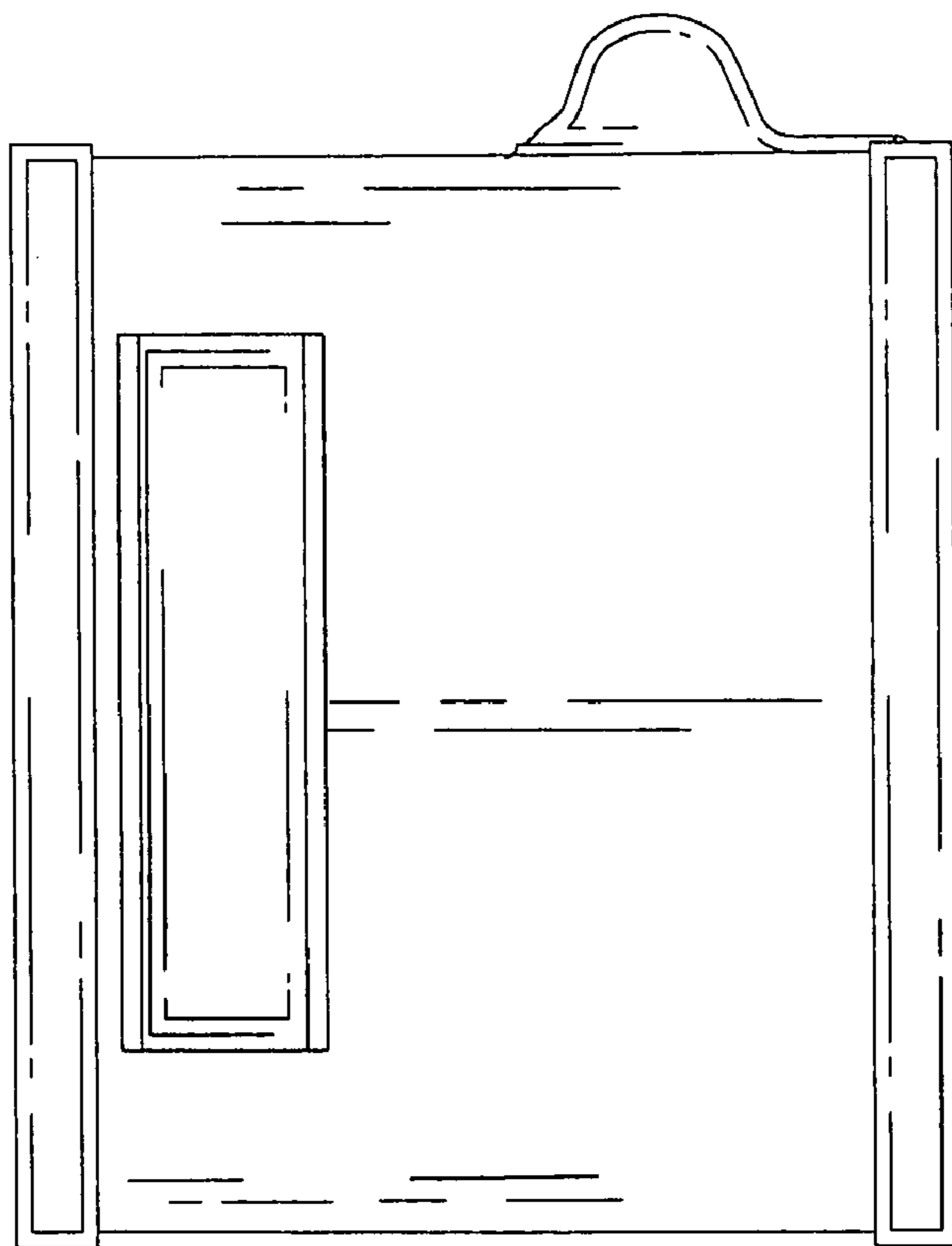


FIG. 5

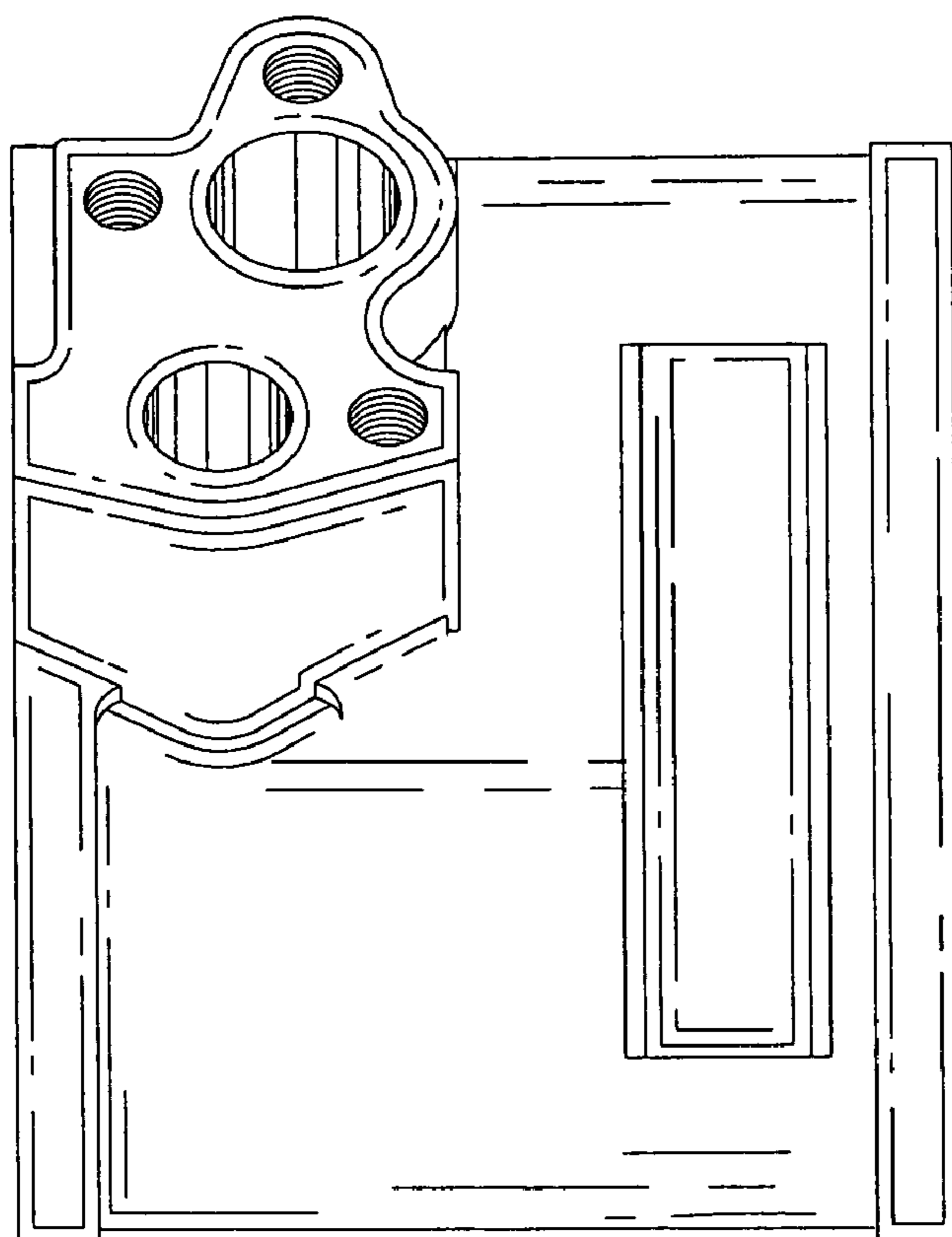


FIG. 4

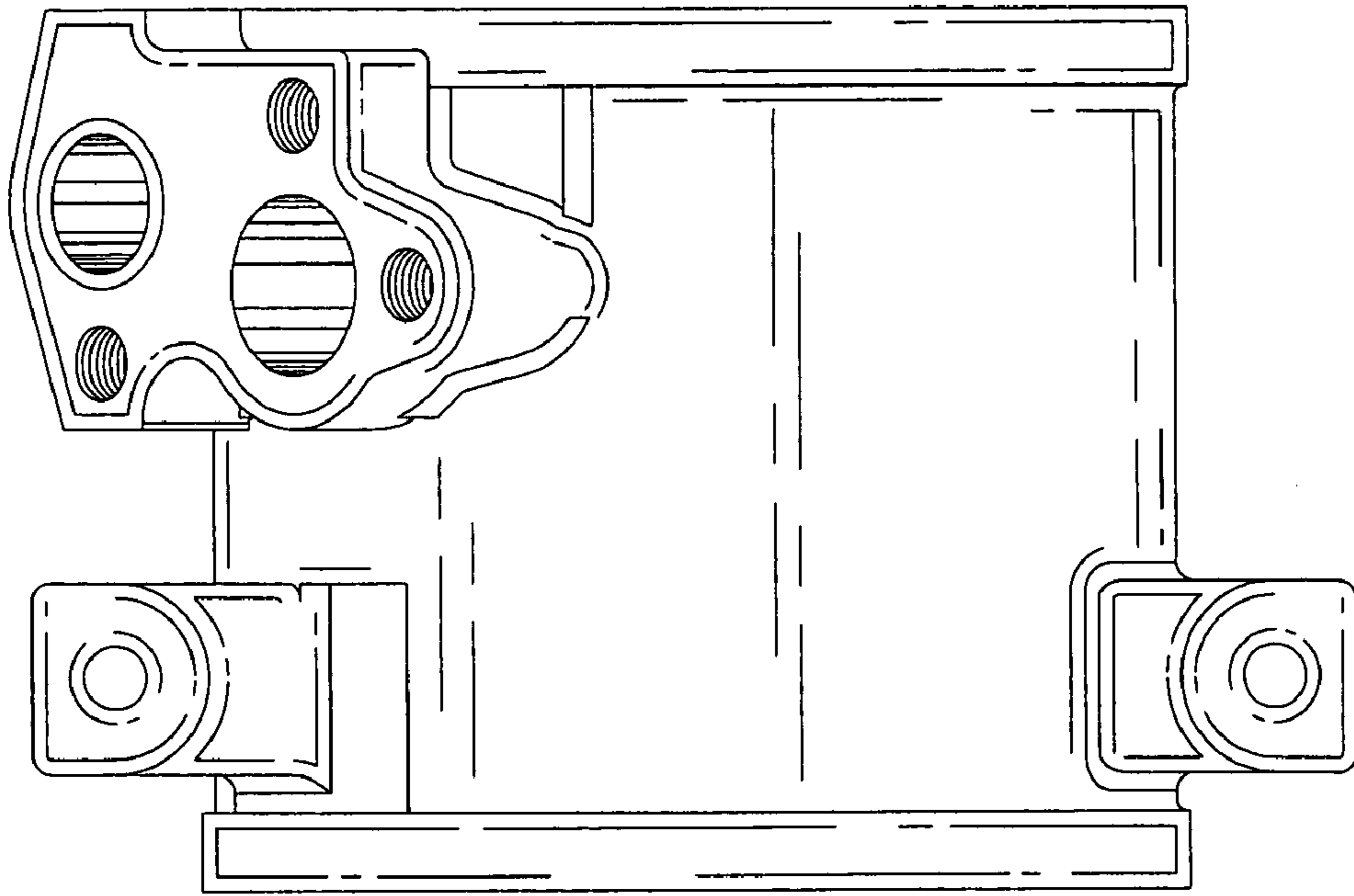


FIG. 7

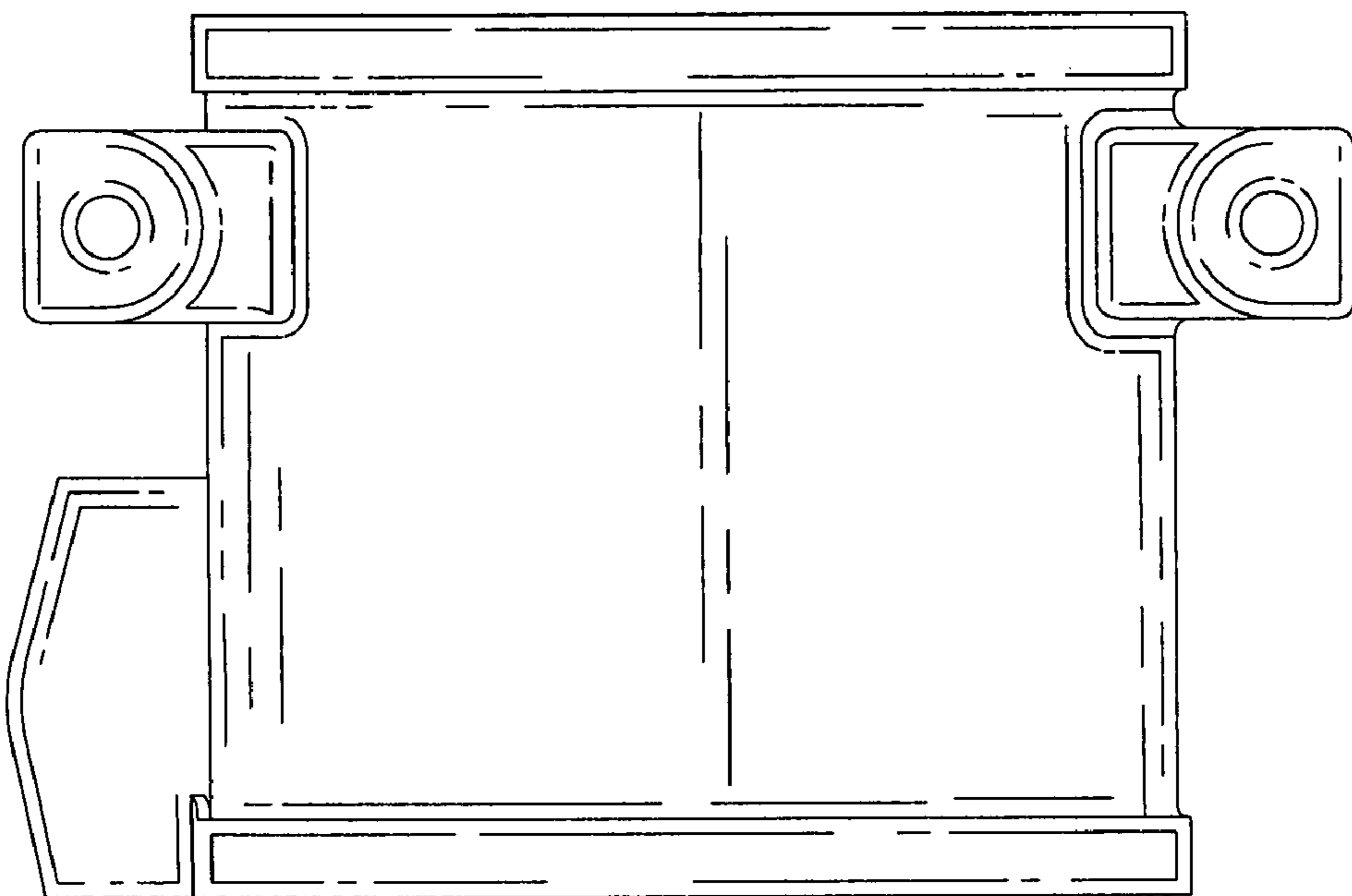


FIG. 6

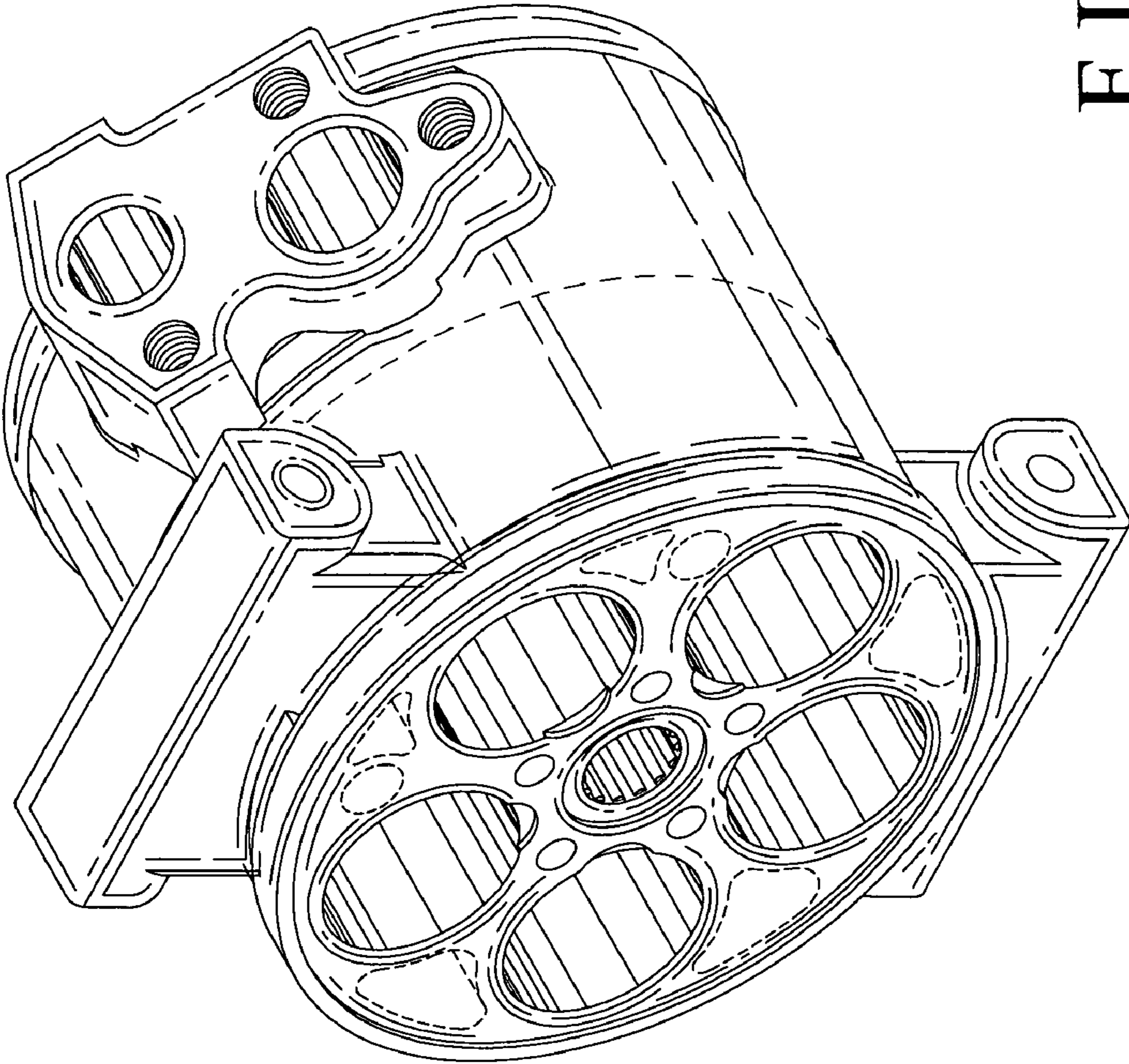


FIG. 8