



US00D574852S

(12) **United States Design Patent Grant**

(10) **Patent No.:** **US D574,852 S**

(45) **Date of Patent:** **** Aug. 12, 2008**

(54) **CARBURETOR AIR FILTER**

(76) **Inventor:** **Barry S. Grant**, Route 1, Box 1900, Dahlonaga, GA (US) 30533

(**) **Term:** **14 Years**

(21) **Appl. No.:** **29/217,994**

(22) **Filed:** **Nov. 23, 2004**

(51) **LOC (8) Cl.** **15-01**

(52) **U.S. Cl.** **D15/5; D24/110.1**

(58) **Field of Classification Search** **D15/5-7;**
D23/200, 207, 209, 355, 365; 55/510, 483,
55/385.3, 485-486, 493, 398, 497, 500-503,
55/509, 528, 318-319, 337, DIG. 28, DIG. 13;
123/198 E; 261/DIG. 68, 23.2; 210/232,
210/315, 495, 238

See application file for complete search history.

(56) **References Cited**

U.S. PATENT DOCUMENTS

4,128,408 A * 12/1978 Poole 55/498

5,318,608 A * 6/1994 Boone 55/385.3

5,447,546 A * 9/1995 Thibodeau 55/510

6,293,981 B1 * 9/2001 Holderle et al. 55/318

* cited by examiner

Primary Examiner—Ian Simmons

Assistant Examiner—Maurice Stevens

(74) *Attorney, Agent, or Firm*—Thomas, Kayden, Horstemeyer & Risley, LLP

(57) **CLAIM**

The ornamental design for a carburetor air filter, as shown and described.

DESCRIPTION

FIG. 1 is an isometric view of a carburetor air filter;

FIG. 2 is a top view thereof;

FIG. 3 is a bottom view thereof;

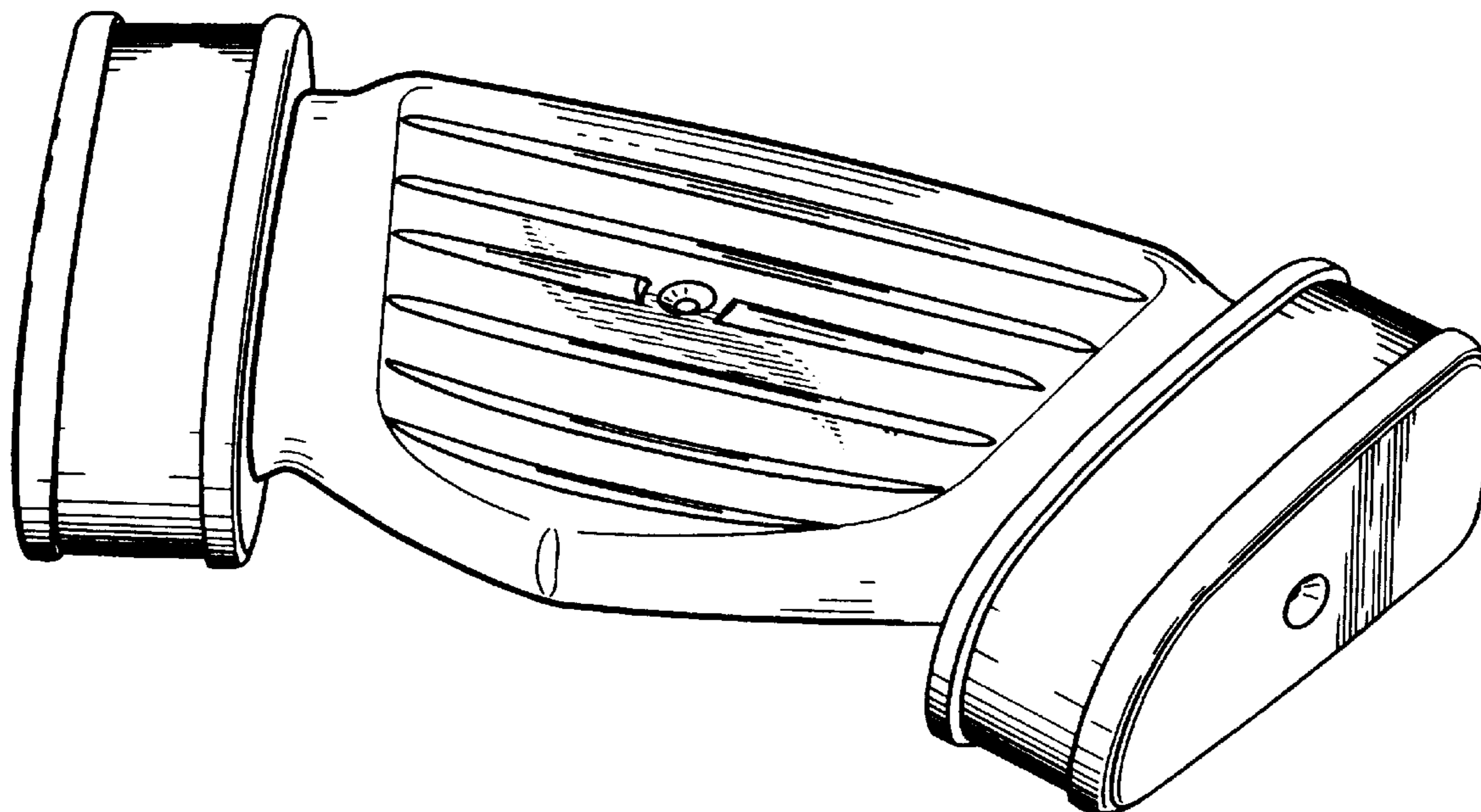
FIG. 4 is a front view thereof;

FIG. 5 is a rear view thereof;

FIG. 6 is a right side view thereof; and,

FIG. 7 is a left side view thereof.

1 Claim, 3 Drawing Sheets



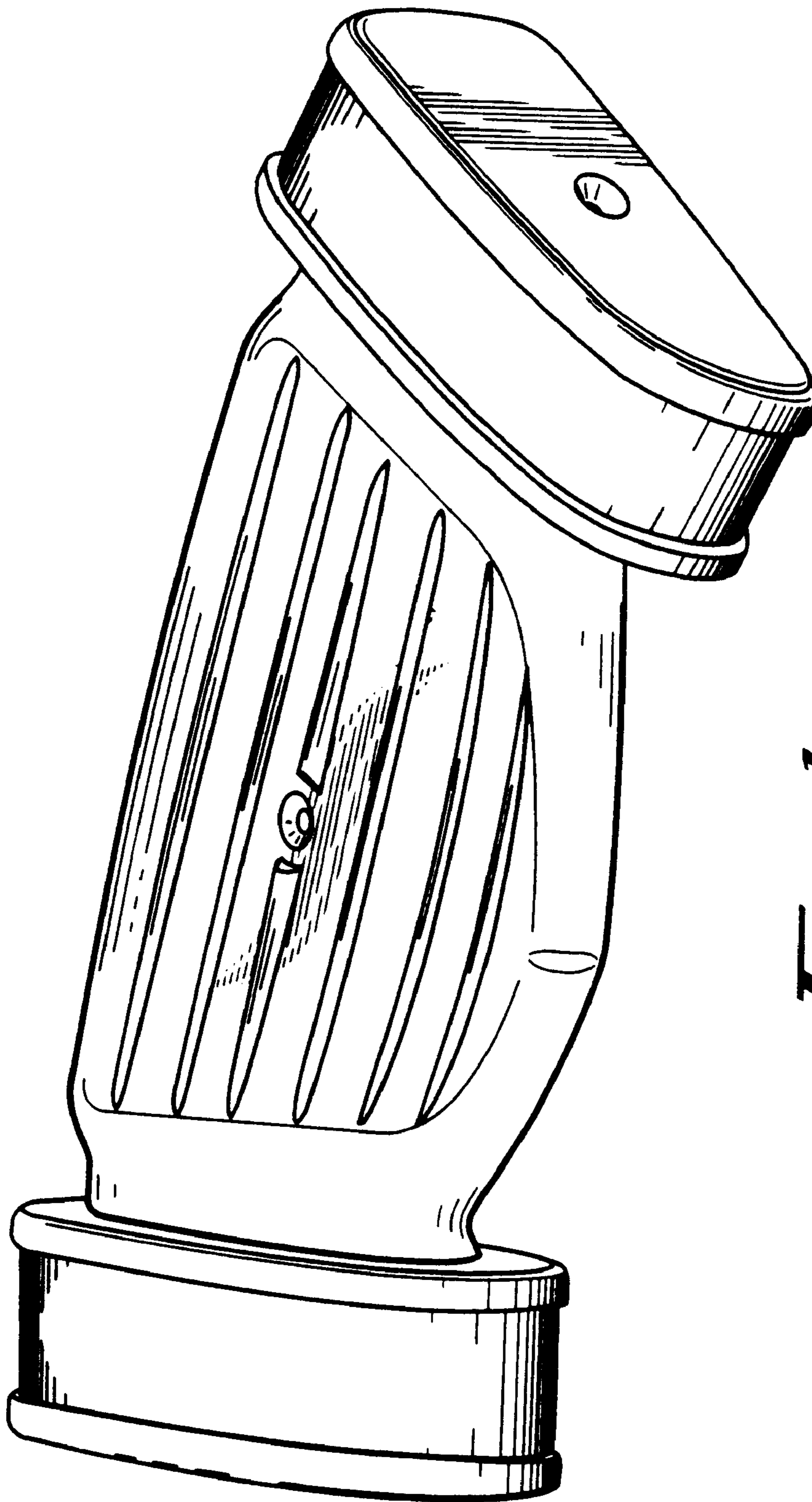


Fig. 1

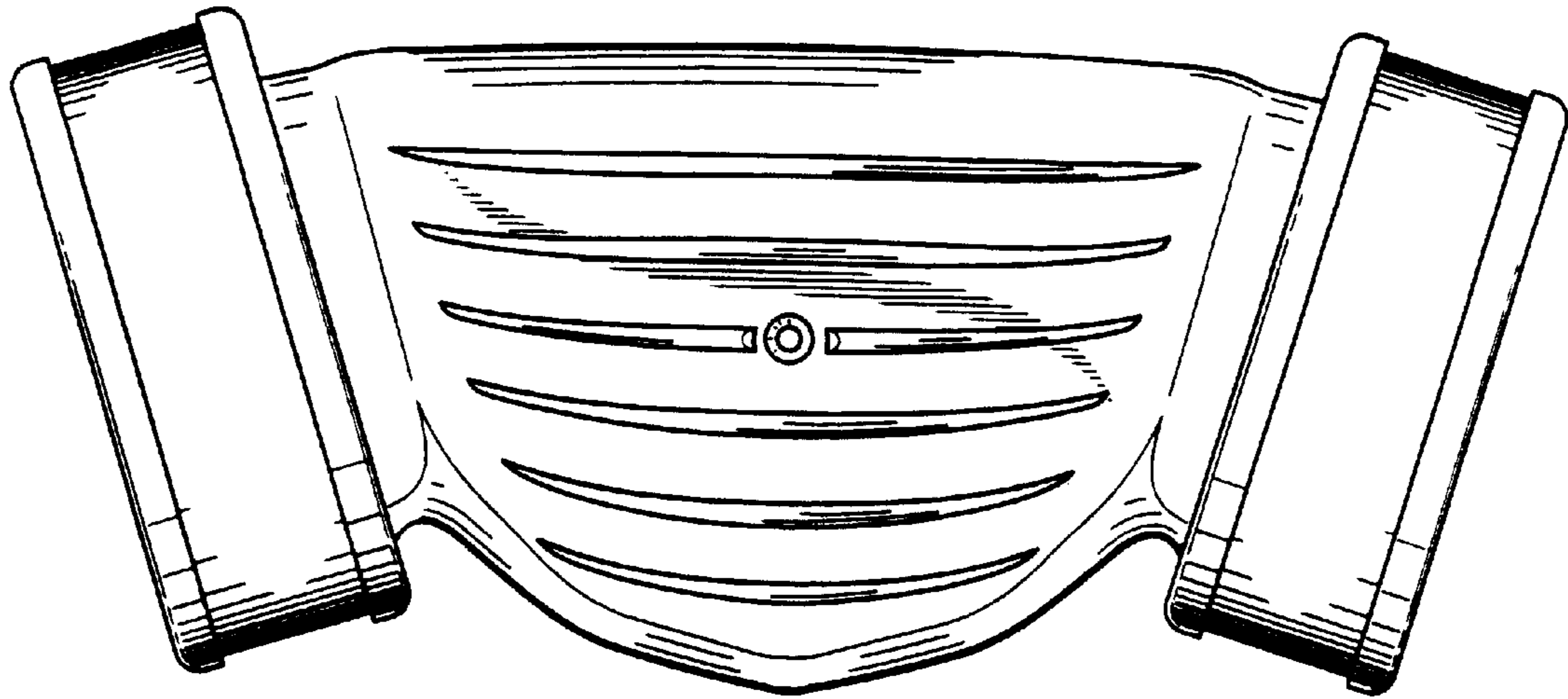


Fig. 2

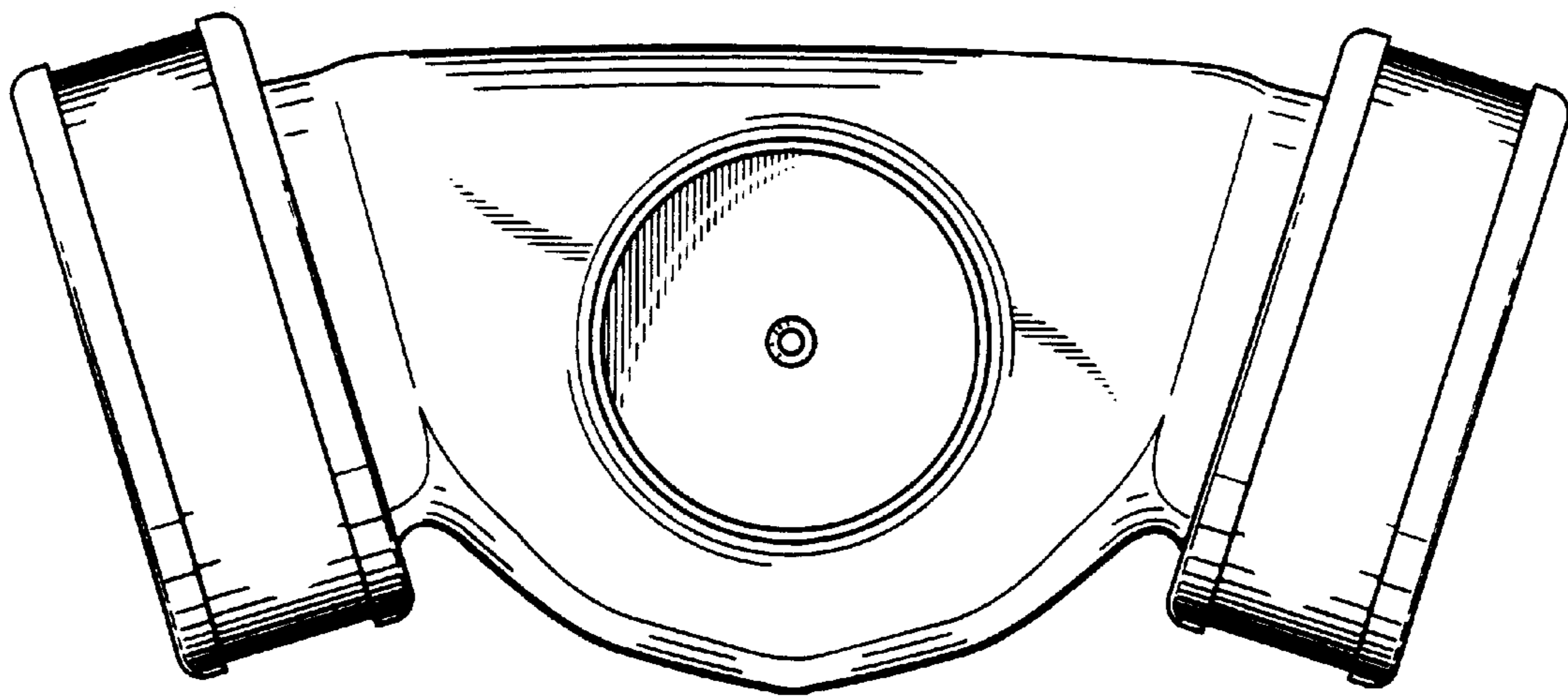


Fig. 3

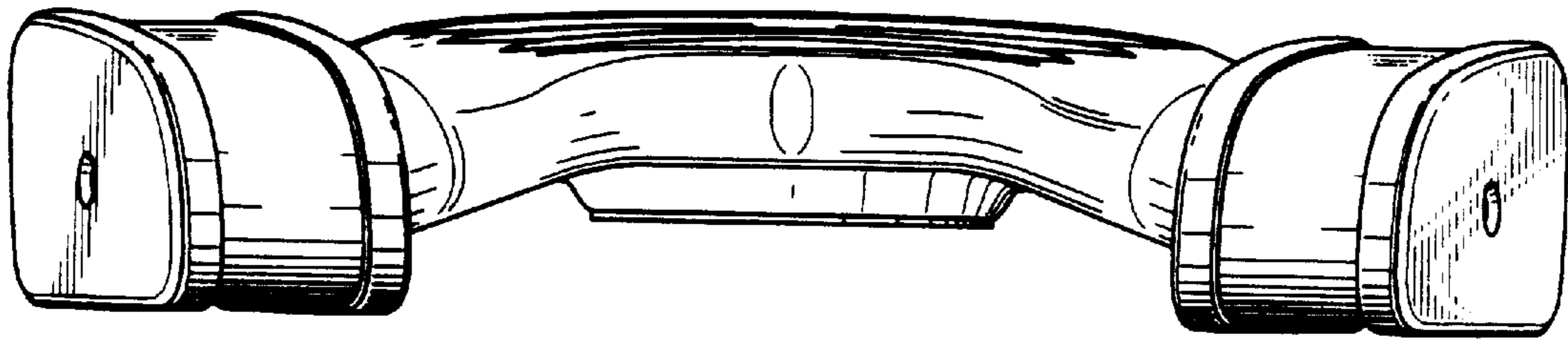


Fig. 4

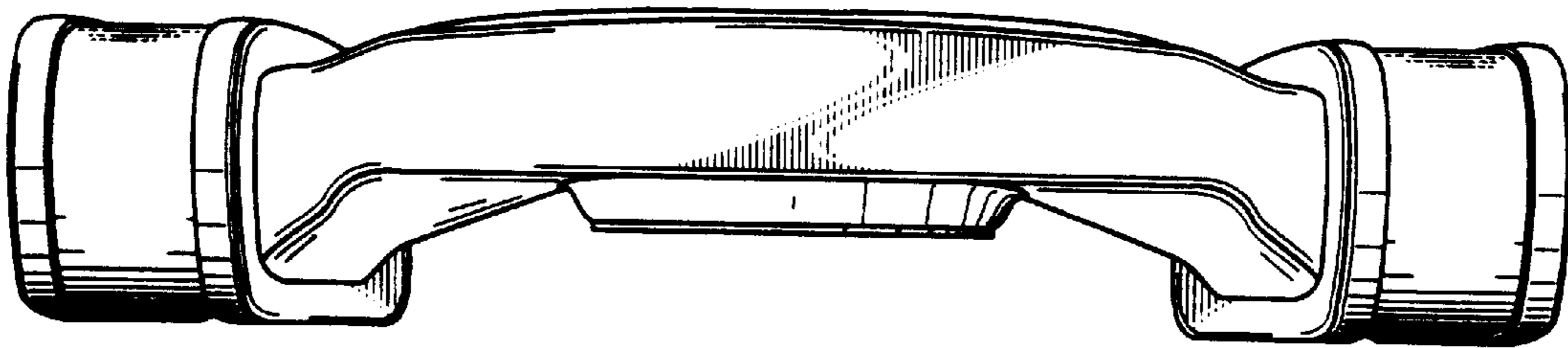


Fig. 5

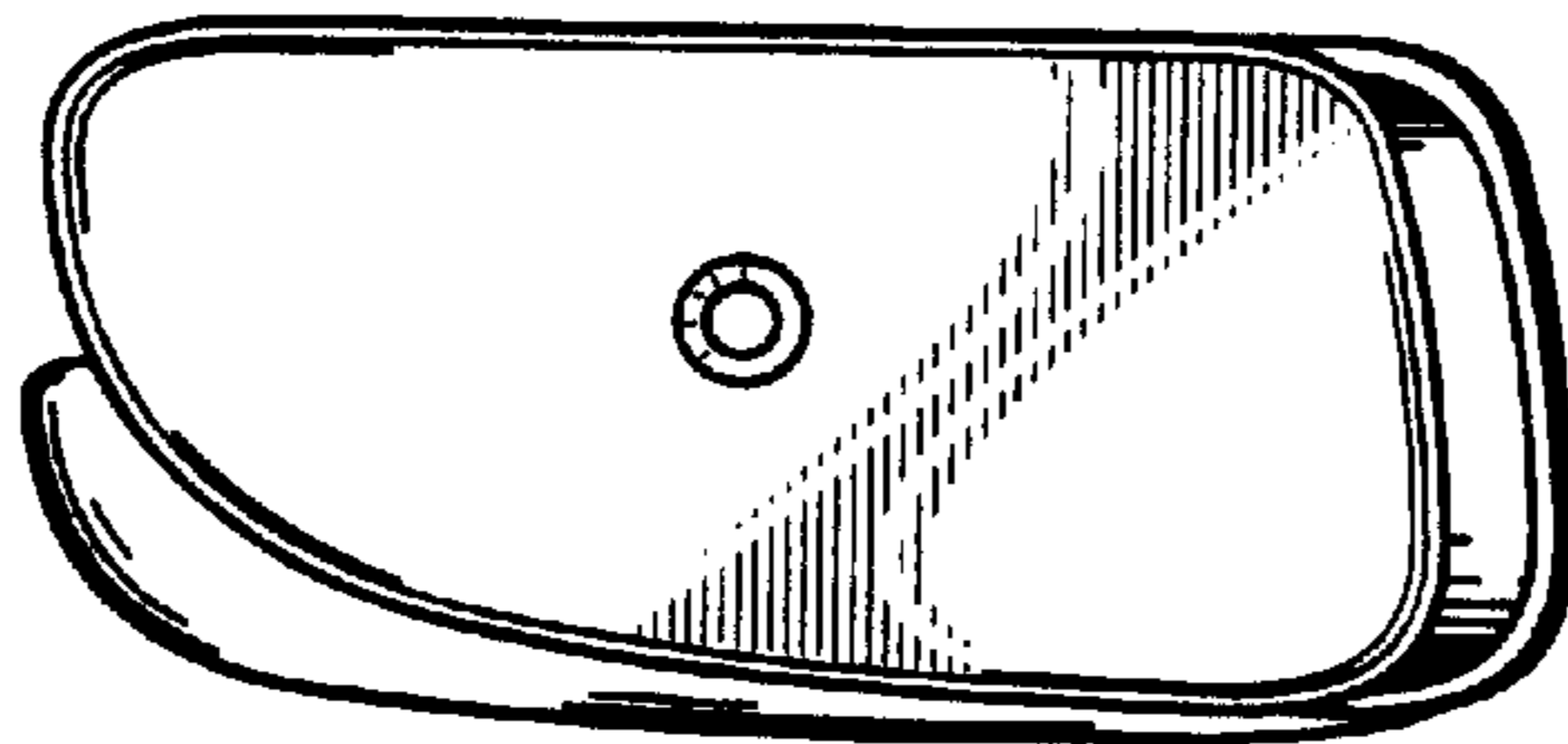


Fig. 6

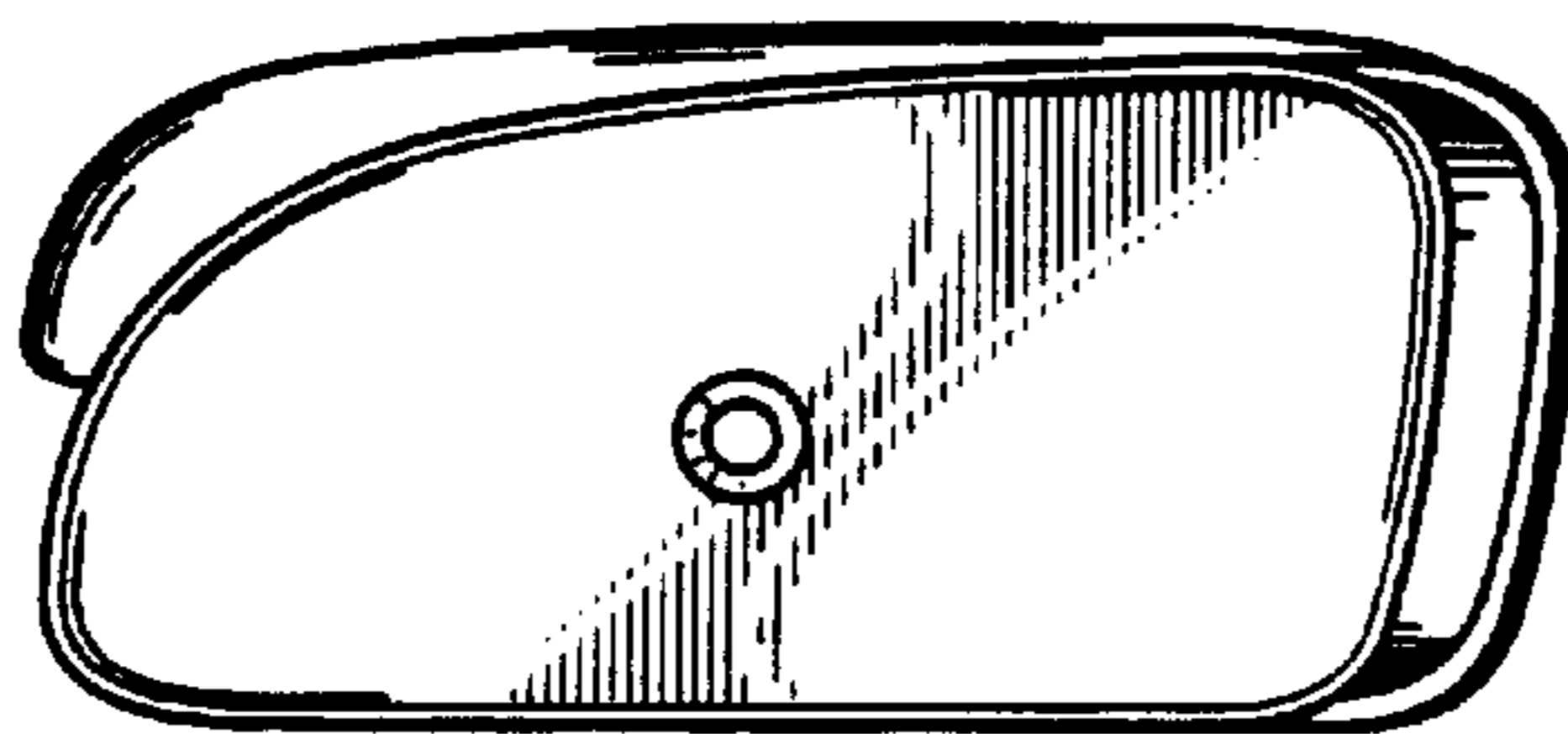


Fig. 7