



US00D574850S

(12) **United States Design Patent**
Zimman et al.

(10) **Patent No.:** **US D574,850 S**

(45) **Date of Patent:** **** Aug. 12, 2008**

(54) **ELECTRONIC DEVICE**

(75) Inventors: **Christopher William Zimman**, New York, NY (US); **James William Hook**, New York, NY (US); **Masamichi Udagawa**, New York, NY (US); **Craig Lockwood**, Churchville, NY (US)

(73) Assignee: **Bloomberg Finance L.P.**, New York, NY (US)

(**) Term: **14 Years**

(21) Appl. No.: **29/279,652**

(22) Filed: **May 4, 2007**

(51) **LOC (8) Cl.** **14-03**

(52) **U.S. Cl.** **D14/496**

(58) **Field of Classification Search** D14/496,
D14/401, 435, 474, 483, 217, 137, 138, 160,
D14/168; 345/156, 169, 173-179, 905; 715/727-729,
715/864; 455/11.1, 773, 344-347, 93, 95;
370/342-344; 369/1, 2, 6, 12; 463/43-47;
273/148 B

See application file for complete search history.

(56) **References Cited**

U.S. PATENT DOCUMENTS

6,591,085 B1 * 7/2003 Grady 455/42
6,593,914 B1 * 7/2003 Nuovo et al. 345/169
D486,813 S * 2/2004 Chun D14/156
D501,208 S 1/2005 Ozolins et al.
D508,245 S 8/2005 Ozolins et al.
D511,347 S * 11/2005 Naruki D14/496

D513,512 S * 1/2006 Tsai D14/496
D533,566 S * 12/2006 Lee D14/496
D535,992 S 1/2007 Ozolins et al.
D537,810 S * 3/2007 Lee D14/156
D538,820 S 3/2007 Andre et al.
D538,822 S 3/2007 Andre et al.
D541,297 S 4/2007 Andre et al.
D541,298 S 4/2007 Andre et al.
D541,299 S 4/2007 Andre et al.
D553,640 S * 10/2007 Kimura et al. D14/496
D558,793 S * 1/2008 Honda D14/496

* cited by examiner

Primary Examiner—Prabhakar Deshmukh

(74) *Attorney, Agent, or Firm*—Frank J DeRosa; Frommer Lawrence & Haug LLP

(57) **CLAIM**

We claim the ornamental design for an electronic device, substantially as shown and described.

DESCRIPTION

FIG. 1 is a front perspective view of an electronic device showing our new design;

FIG. 2 is a front view thereof;

FIG. 3 is a right side view thereof;

FIG. 4 is a rear view thereof;

FIG. 5 is a left side view thereof;

FIG. 6 is a top view thereof; and,

FIG. 7 is a bottom view thereof.

1 Claim, 2 Drawing Sheets

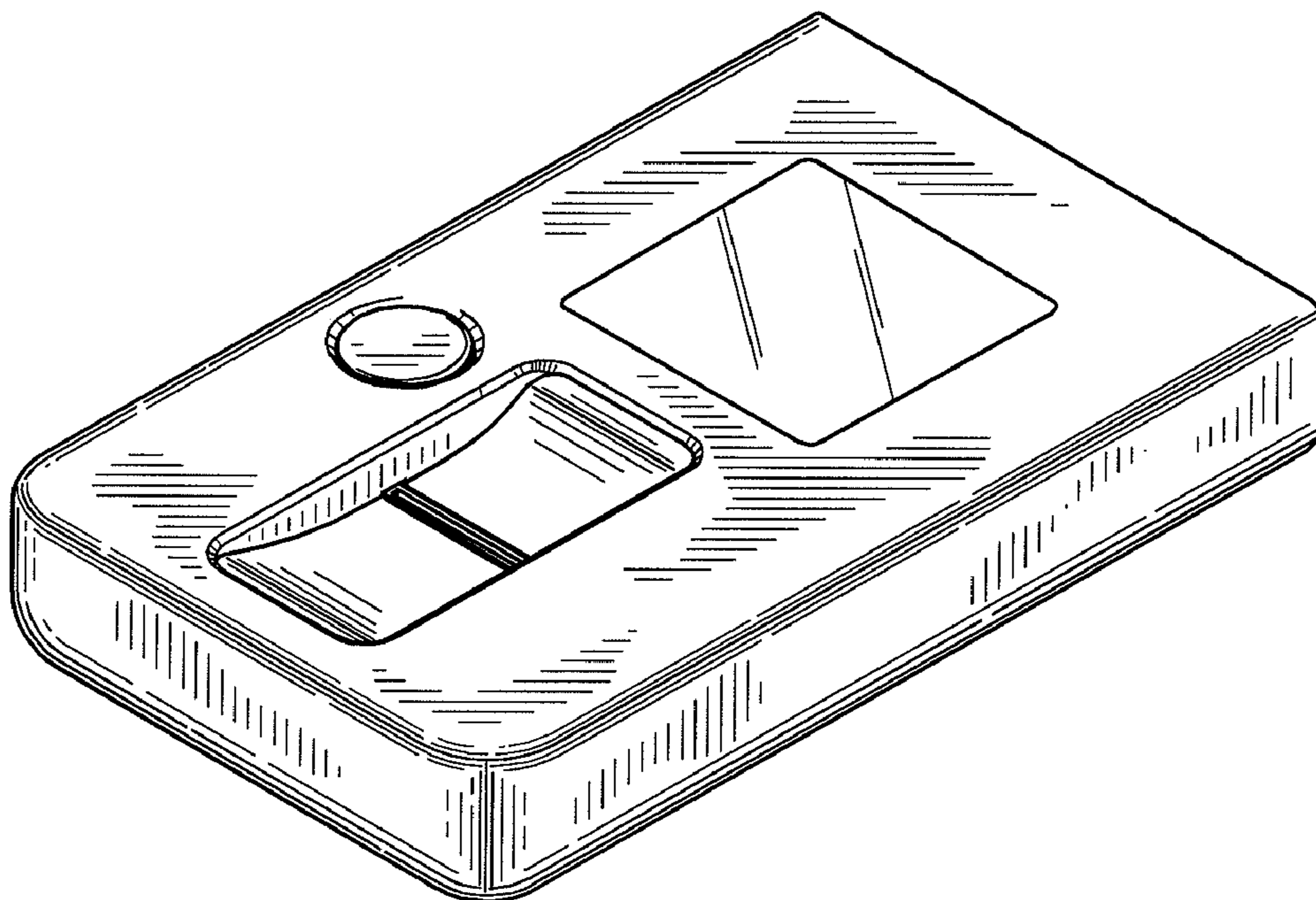


FIG. 1

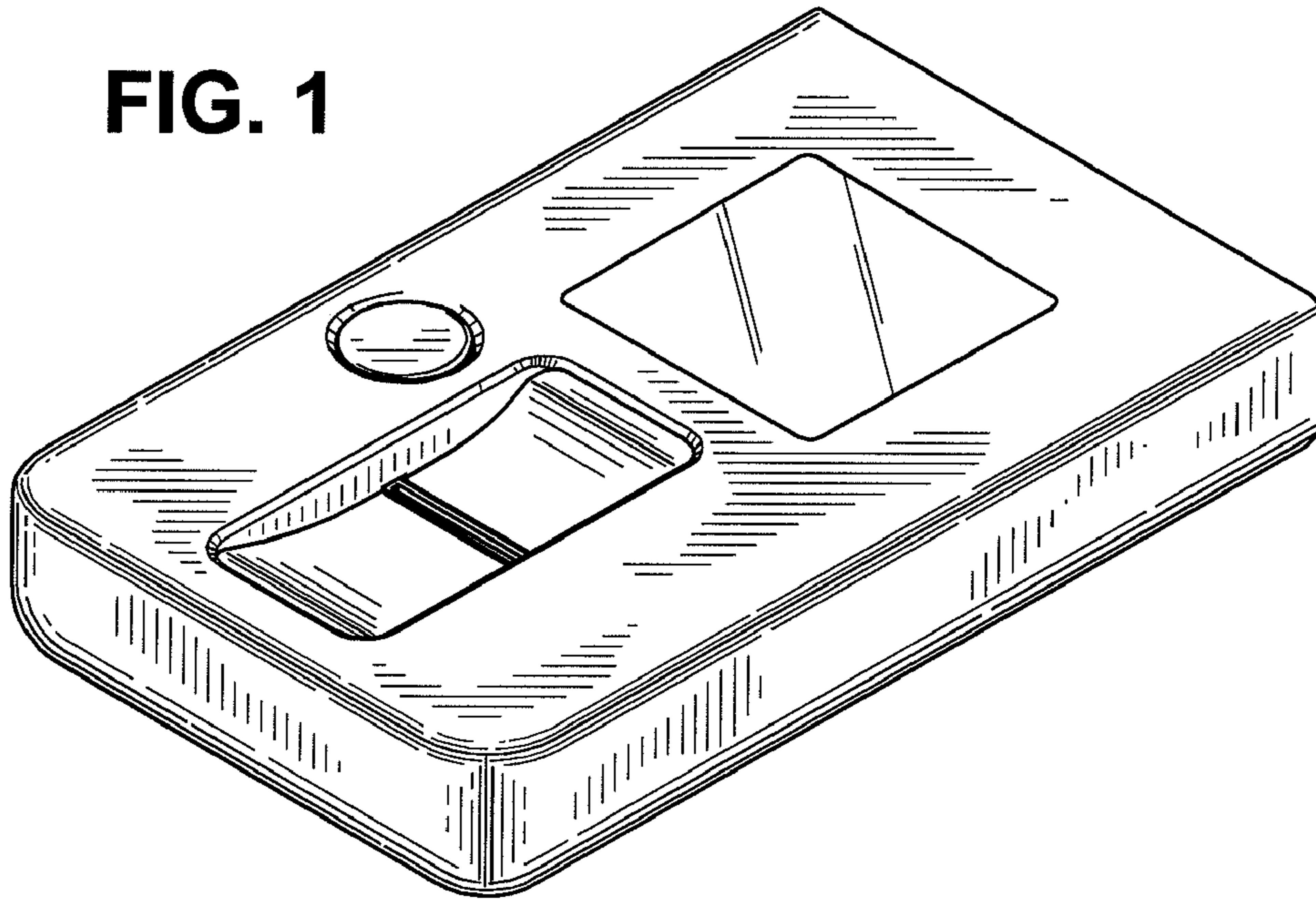


FIG. 2

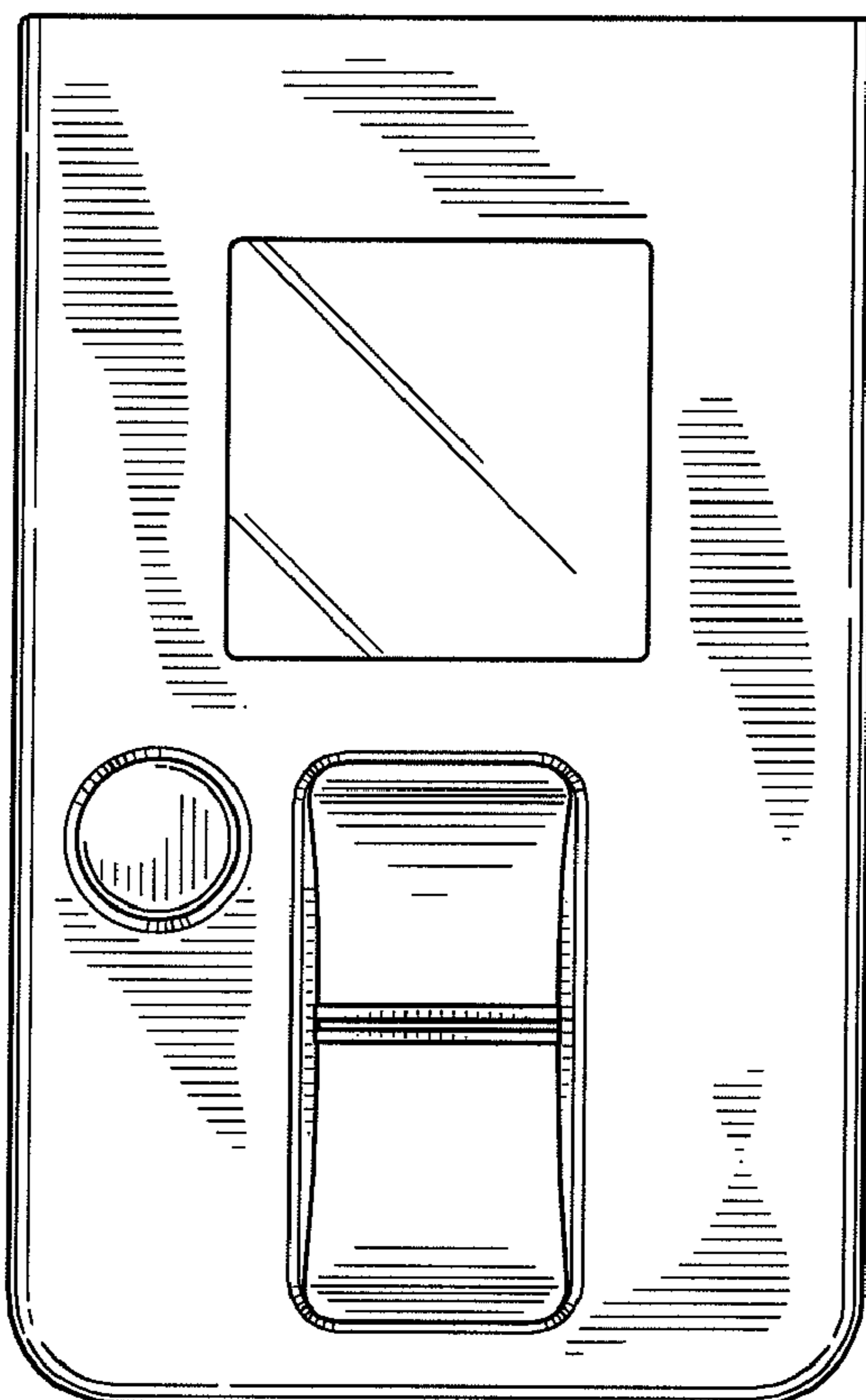


FIG. 3

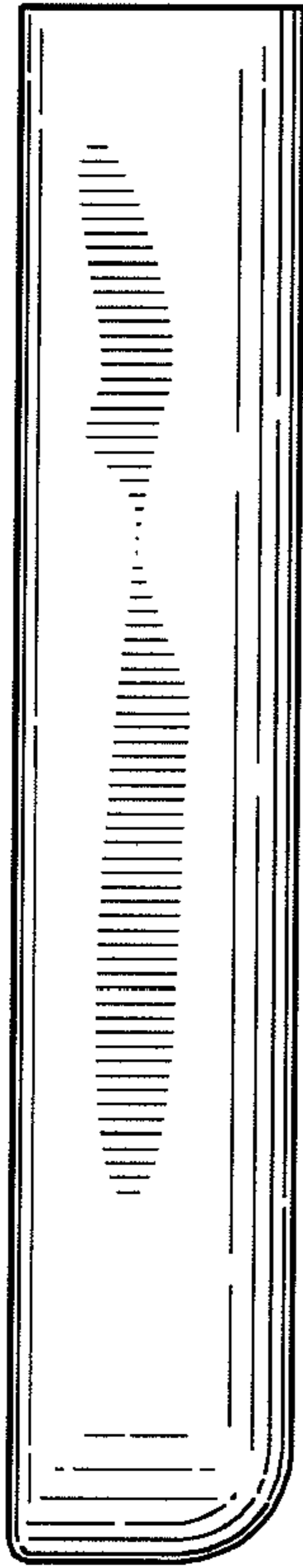


FIG. 4

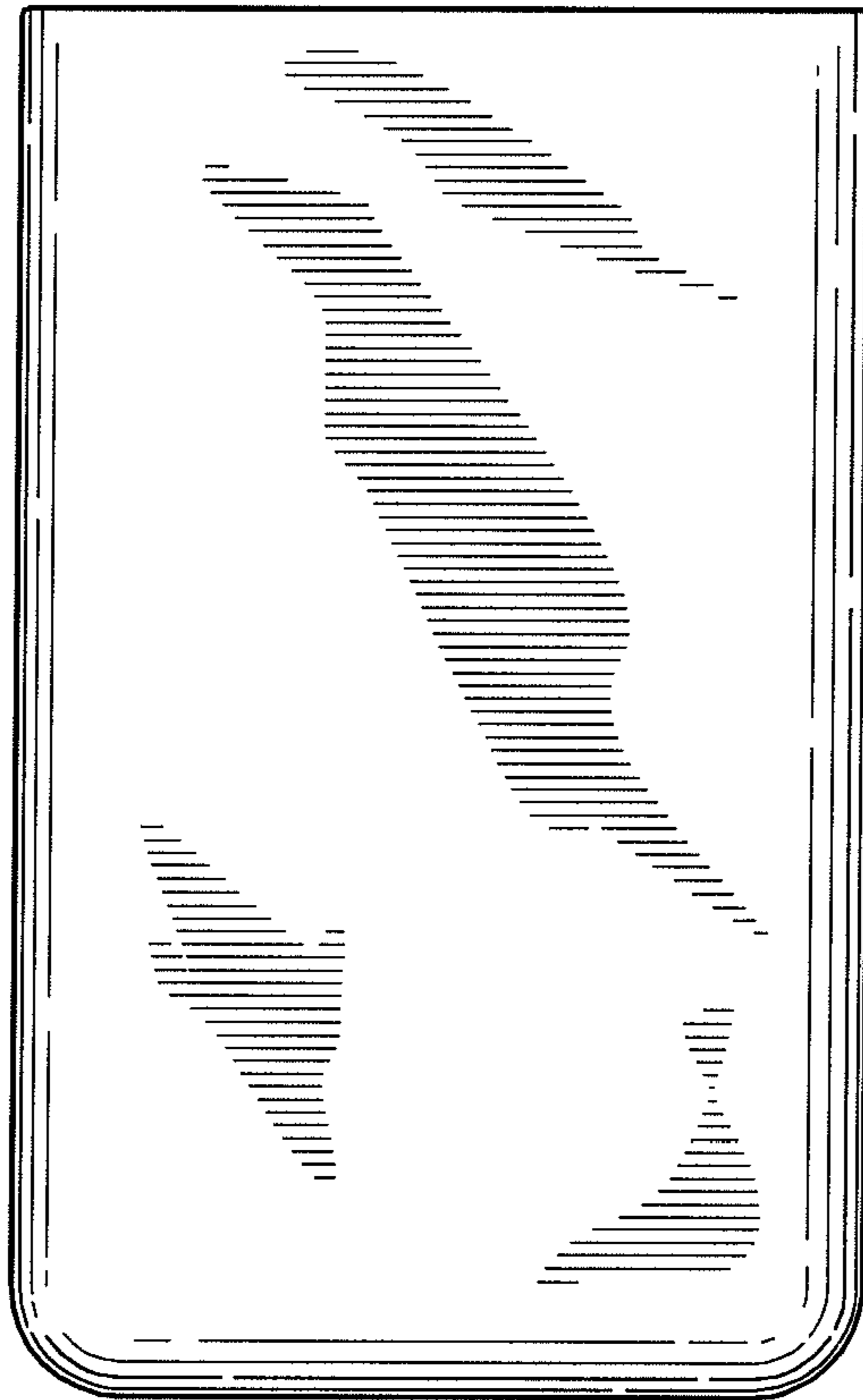


FIG. 5

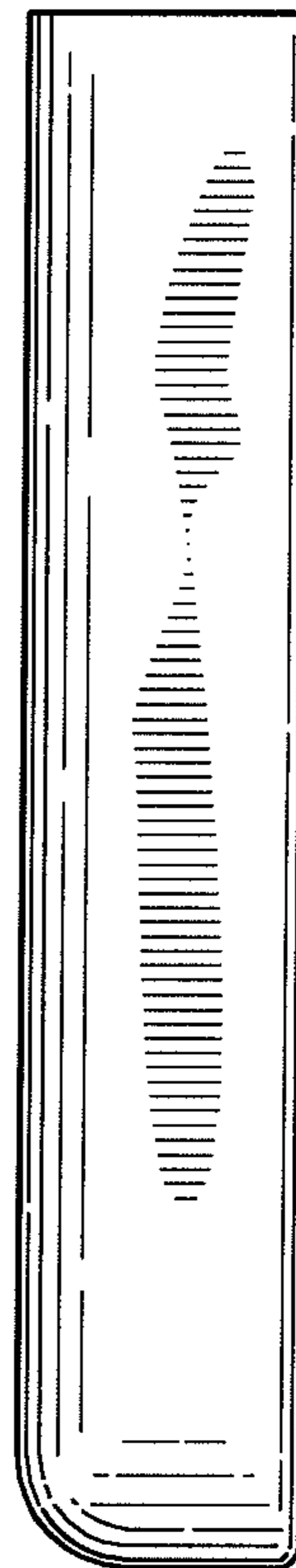


FIG. 6



FIG. 7

