



US00D574843S

(12) **United States Design Patent**  
**Okuyama**

(10) **Patent No.:** **US D574,843 S**

(45) **Date of Patent:** **\*\* Aug. 12, 2008**

(54) **COMPUTER GENERATED IMAGE FOR A DISPLAY PANEL OR SCREEN**

(75) **Inventor:** **Masashi Okuyama, Kumamoto (JP)**

(73) **Assignee:** **Tokyo Electron Limited, Tokyo (JP)**

(\*\*) **Term:** **14 Years**

(21) **Appl. No.:** **29/274,162**

(22) **Filed:** **Apr. 2, 2007**

(51) **LOC (8) Cl.** ..... **14-04**

(52) **U.S. Cl.** ..... **D14/489**

(58) **Field of Classification Search** ..... D14/485-95;  
D18/26, 31-3; D19/6; D20/11-2, 23-5,  
D20/29-32, 36-8; 715/700-867, 973-7

See application file for complete search history.

(56) **References Cited**

**U.S. PATENT DOCUMENTS**

5,848,418	A *	12/1998	de Souza et al.	.....	707/102
6,046,742	A *	4/2000	Chari	.....	715/734
D453,768	S *	2/2002	Wilkins	.....	D14/489
6,462,753	B1 *	10/2002	Koyata et al.	.....	715/716
6,577,327	B1 *	6/2003	Rochford et al.	.....	715/735
6,924,843	B1 *	8/2005	Yamazaki et al.	.....	348/423.1

D526,657	S *	8/2006	Matsumoto	.....	D14/487
2001/0041049	A1 *	11/2001	Kanda	.....	386/52
2002/0175931	A1 *	11/2002	Holtz et al.	.....	345/716
2004/0085364	A1 *	5/2004	Keely et al.	.....	345/804
2004/0092226	A1 *	5/2004	Tsutsui et al.	.....	455/12.1
2004/0095390	A1 *	5/2004	Arning et al.	.....	345/769
2005/0060662	A1 *	3/2005	Soares et al.	.....	715/810

\* cited by examiner

*Primary Examiner*—Cathron Brooks

*Assistant Examiner*—Karen E Kearney

(74) *Attorney, Agent, or Firm*—Rader, Fishman & Grauer, PLLC

(57) **CLAIM**

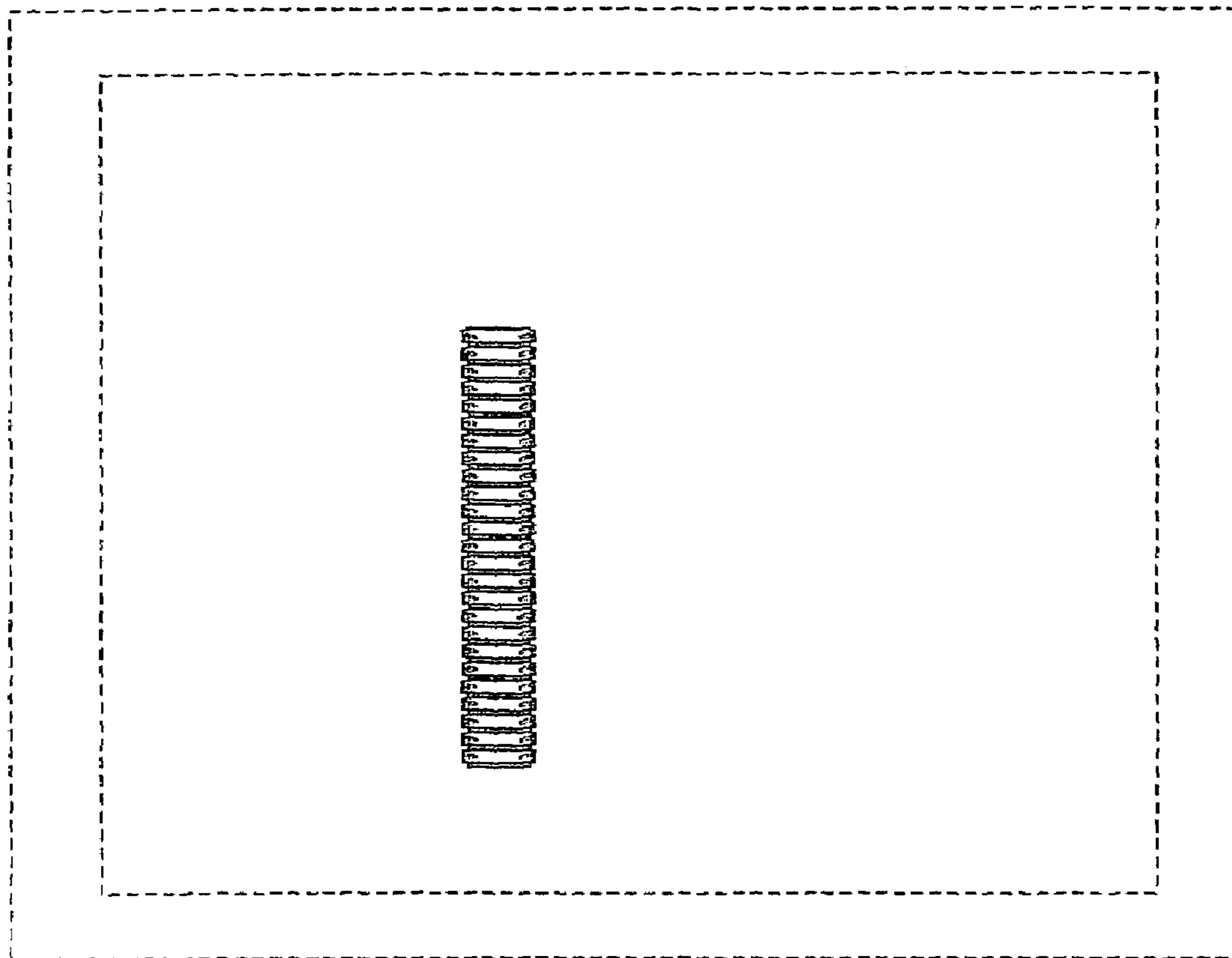
The ornamental design for a computer generated image for a display panel or screen, as shown and described.

**DESCRIPTION**

FIG. 1 is a front elevational view of a computer generated image for a display panel or screen showing my new design; and,

FIG. 2 is a front elevational view of a second image thereof. The broken lines illustrate portions of the computer generated image that form no part of the claimed design.

**1 Claim, 2 Drawing Sheets**



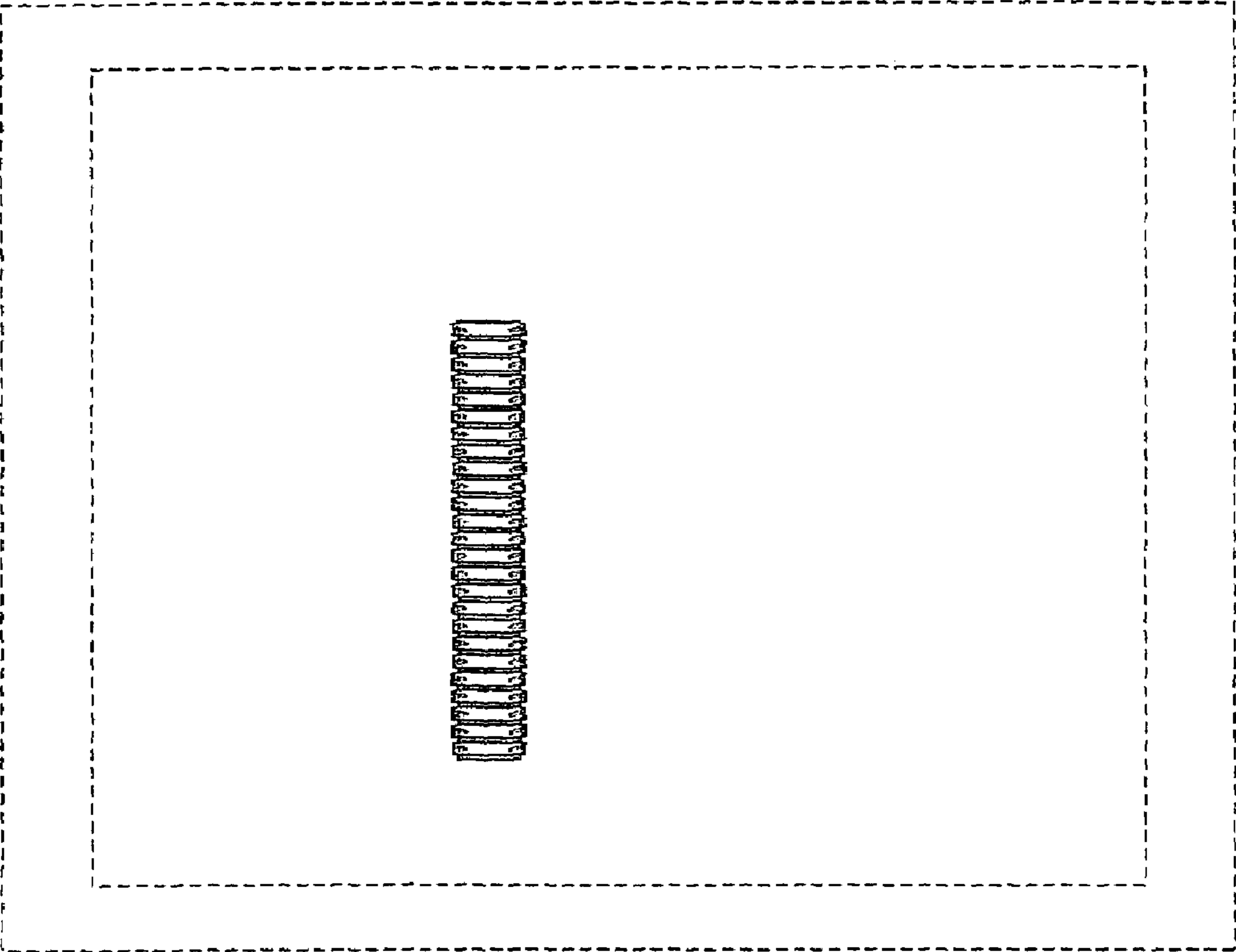


FIG. 1

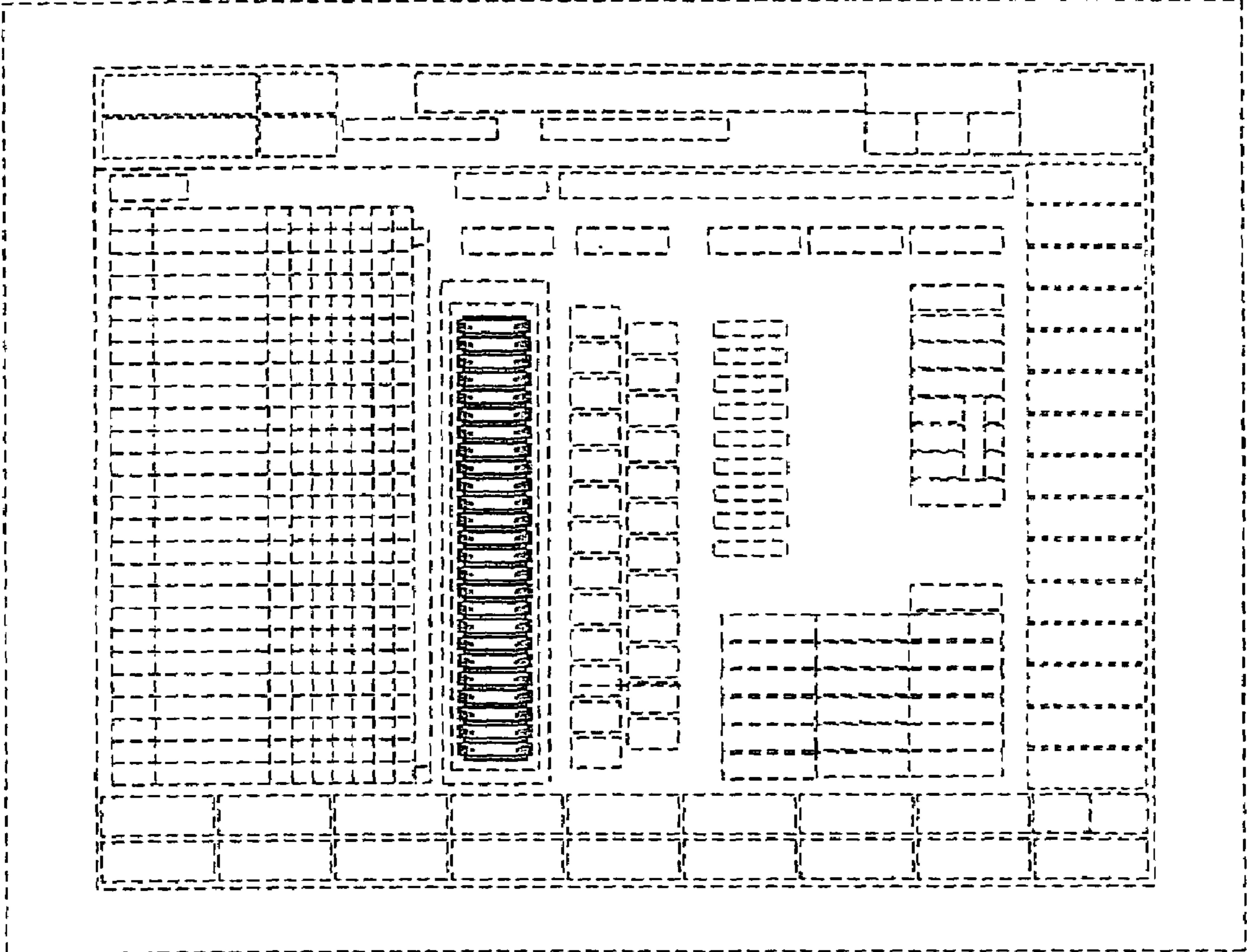


FIG. 2