



US00D574838S

(12) **United States Design Patent**
Palmer

(10) **Patent No.:** **US D574,838 S**

(45) **Date of Patent:** **** Aug. 12, 2008**

(54) **HOUSING FOR A MOBILE DEVICE**

(75) Inventor: **Mark Palmer**, Port Jefferson, NY (US)

(73) Assignee: **Symbol Technologies, Inc.**, Holtsville, NY (US)

(**) Term: **14 Years**

(21) Appl. No.: **29/295,915**

(22) Filed: **Oct. 10, 2007**

(51) **LOC (8) Cl.** **14-02**

(52) **U.S. Cl.** **D14/453; D14/426; D14/429**

(58) **Field of Classification Search** D14/420, D14/426-430, 218, 341, 371, 347, 147, 138, D14/172, 191, 188, 137, 240, 299, 434, 149, D14/253, 453; D24/155, 186; 340/539.32, 340/539.13, 815.42, 825.49, 5.52-5.53, 5.8, 340/5.81-5.83, 572.3; D10/78, 104, 116, D10/106, 121; D13/168, 108; 235/383, 235/472.01-472.03, 462.43, 462.45, 454, 235/460, 462.3, 462.01; D21/329; 382/115, 382/124, 125-127; 902/3-5

See application file for complete search history.

(56) **References Cited**

U.S. PATENT DOCUMENTS

D377,347 S * 1/1997 Karlin D14/428
D408,532 S * 4/1999 Schmidt et al. D14/428
6,158,662 A * 12/2000 Kahn et al. 235/472.01

D456,808 S * 5/2002 Fitch et al. D14/428
6,394,355 B1 * 5/2002 Schlieffers et al. 235/472.01
D470,847 S * 2/2003 Carlson et al. D14/428
6,700,489 B1 * 3/2004 Easter et al. 340/572.3
6,745,943 B2 * 6/2004 Schlieffers et al. 235/472.01
2002/0104887 A1 * 8/2002 Schlieffers et al. 235/472.02

* cited by examiner

Primary Examiner—Melanie Tung

Assistant Examiner—Susan Moon Lee

(74) *Attorney, Agent, or Firm*—Fay Kaplun & Marcin, LLP

(57) **CLAIM**

I claim the ornamental design for a housing for a mobile device, as shown and described.

DESCRIPTION

FIG. 1 is a front view of a housing for a mobile device showing our new design;

FIG. 2 is a back view thereof;

FIG. 3 is a top view thereof;

FIG. 4 is a bottom view thereof;

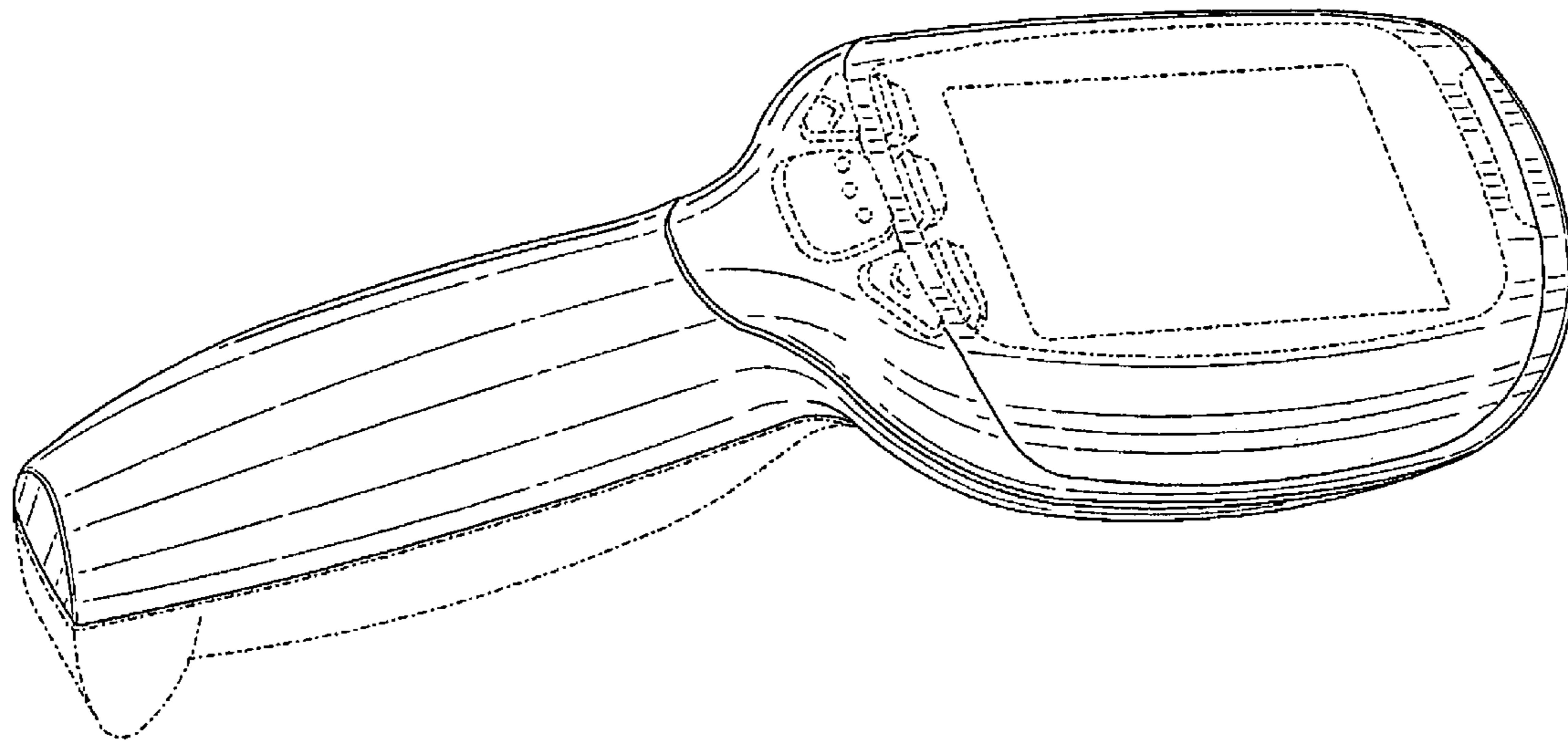
FIG. 5 is a side view thereof;

FIG. 6 is another side view thereof; and,

FIG. 7 is a perspective view thereof.

The broken lines shown in FIGS. 1-7 are included for illustrative purposes only and form no part of the claimed design.

1 Claim, 6 Drawing Sheets



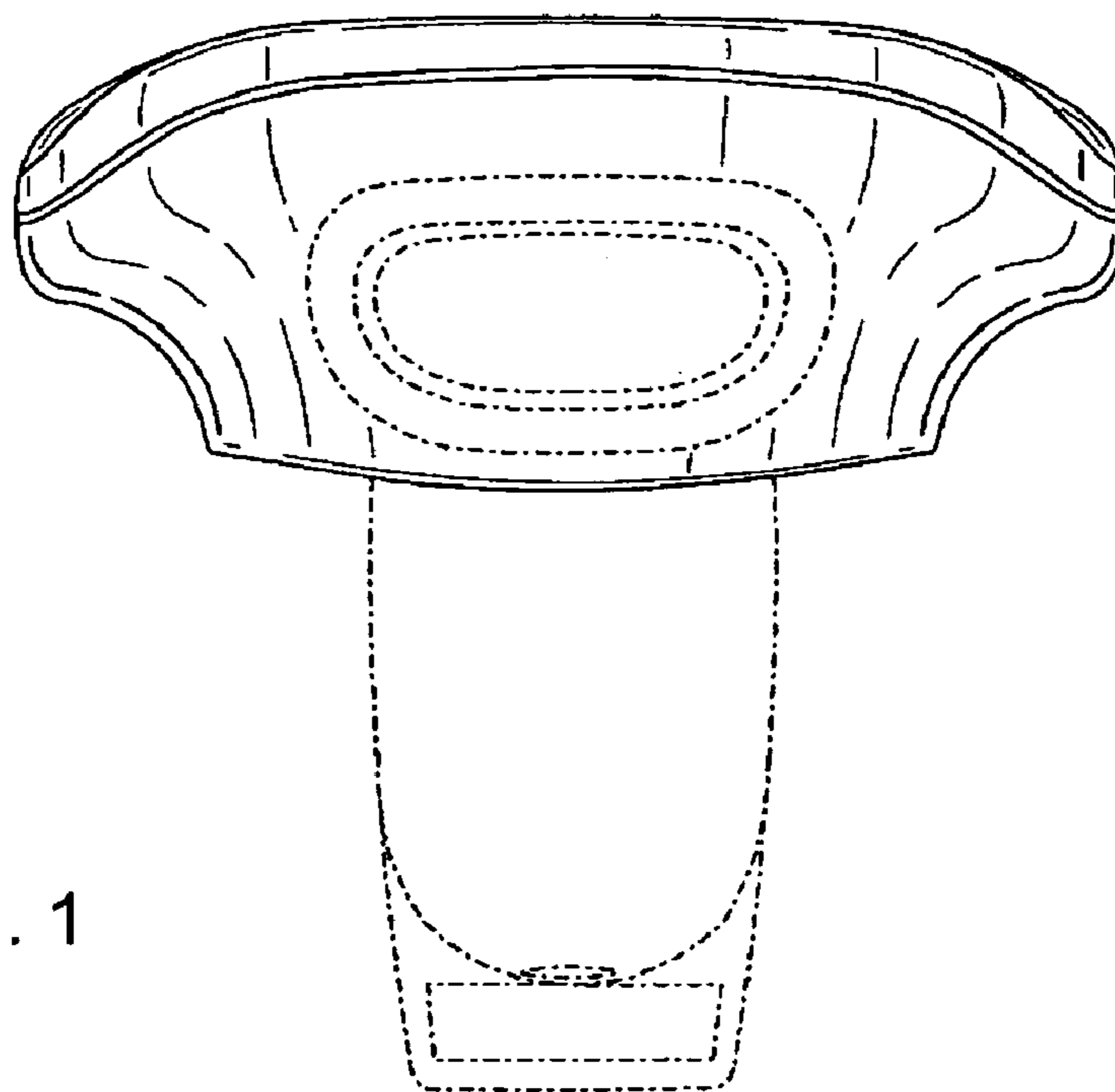


FIG. 1

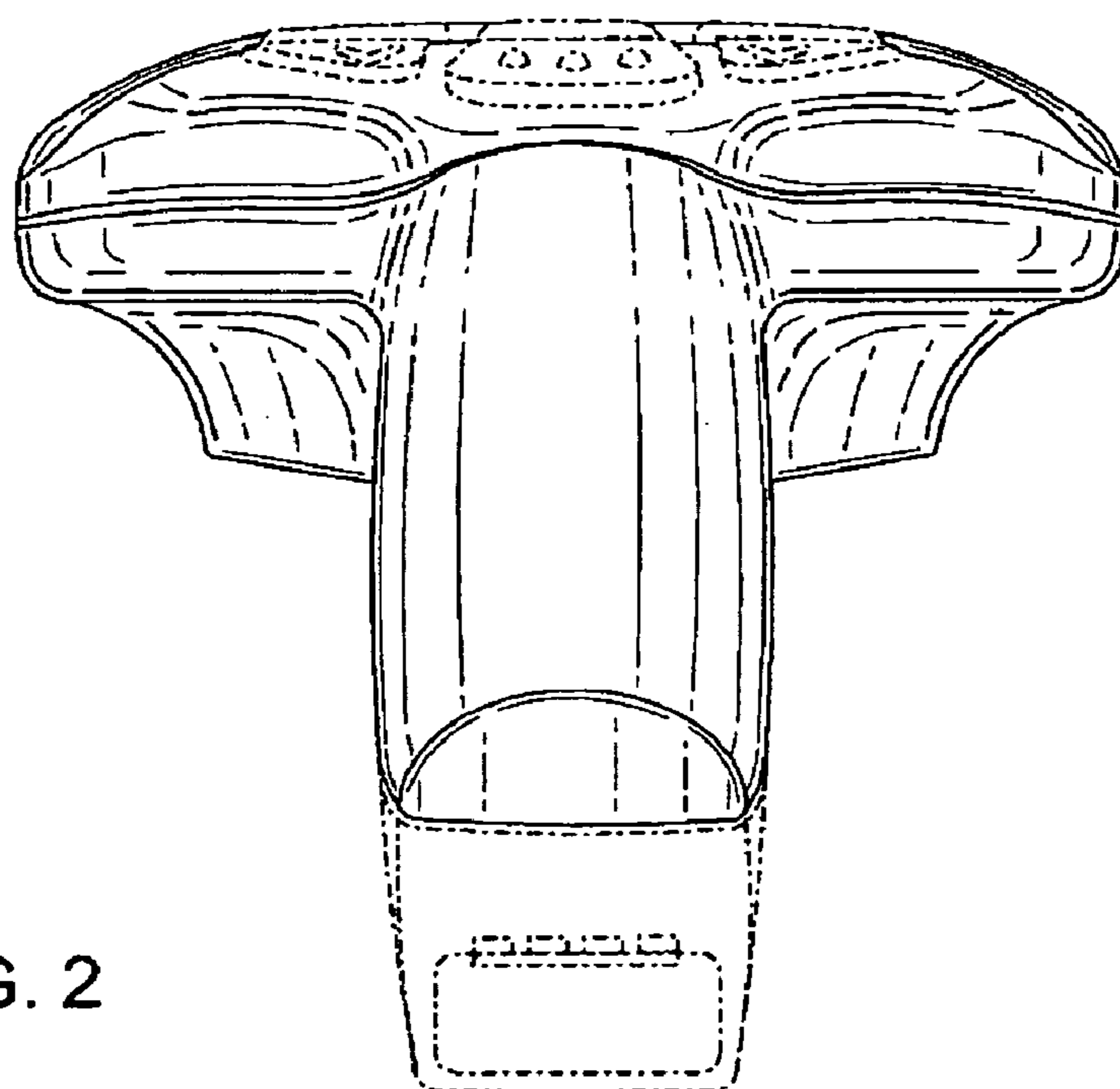


FIG. 2

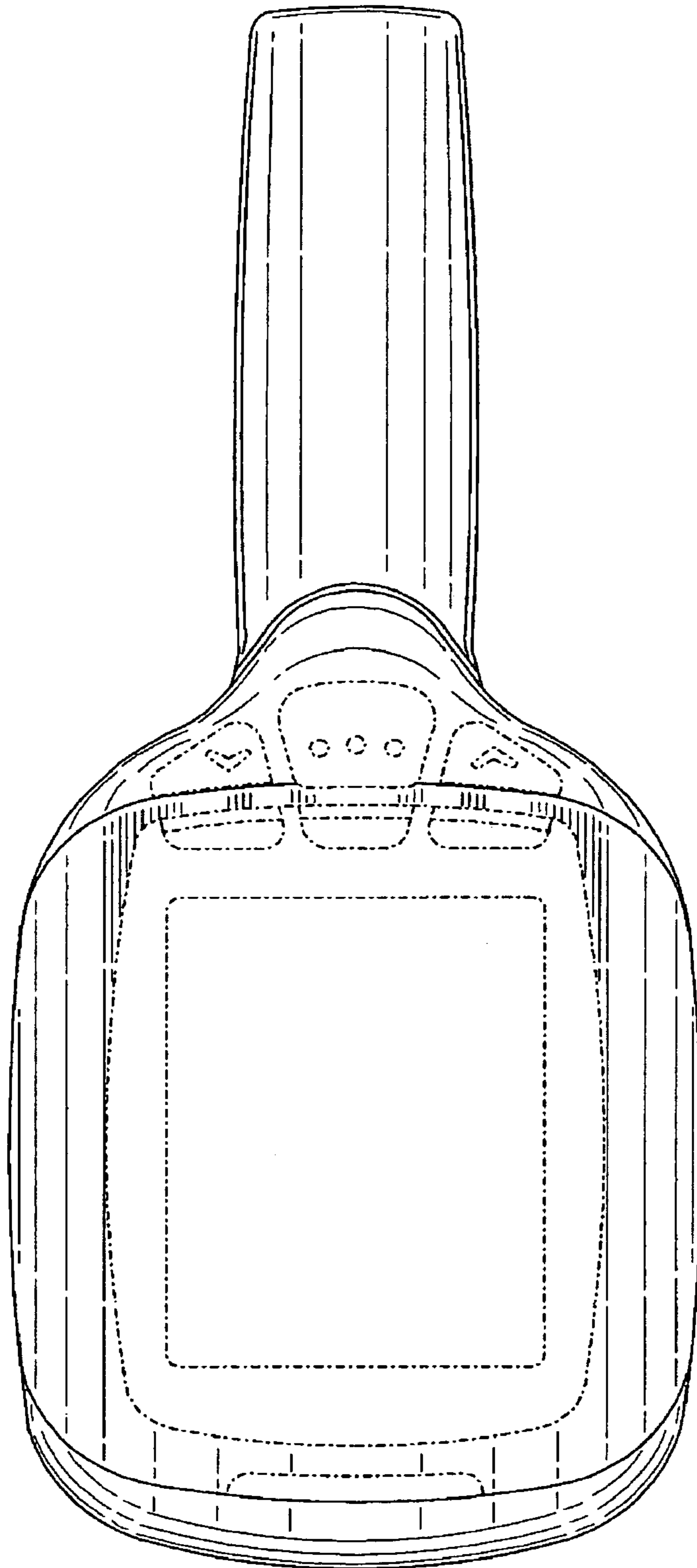


FIG. 3

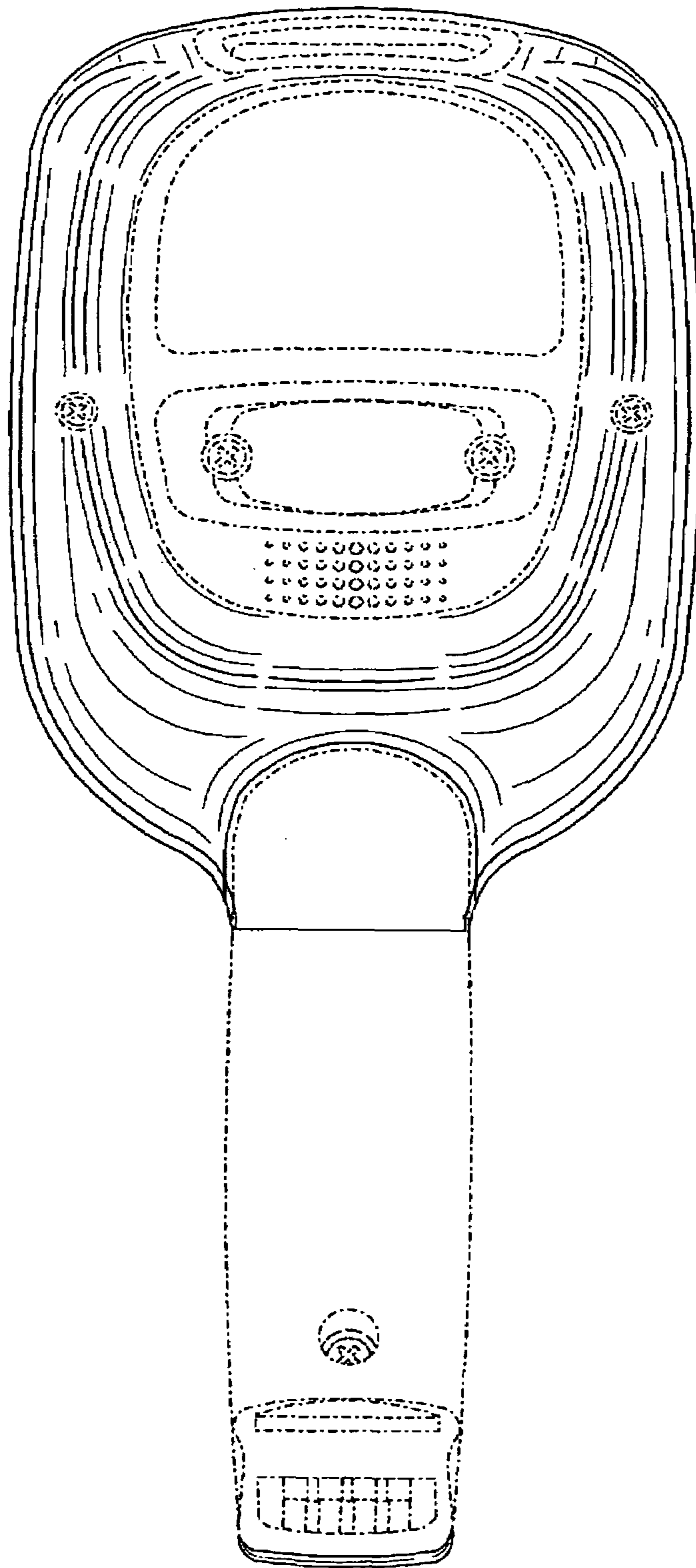


FIG. 4

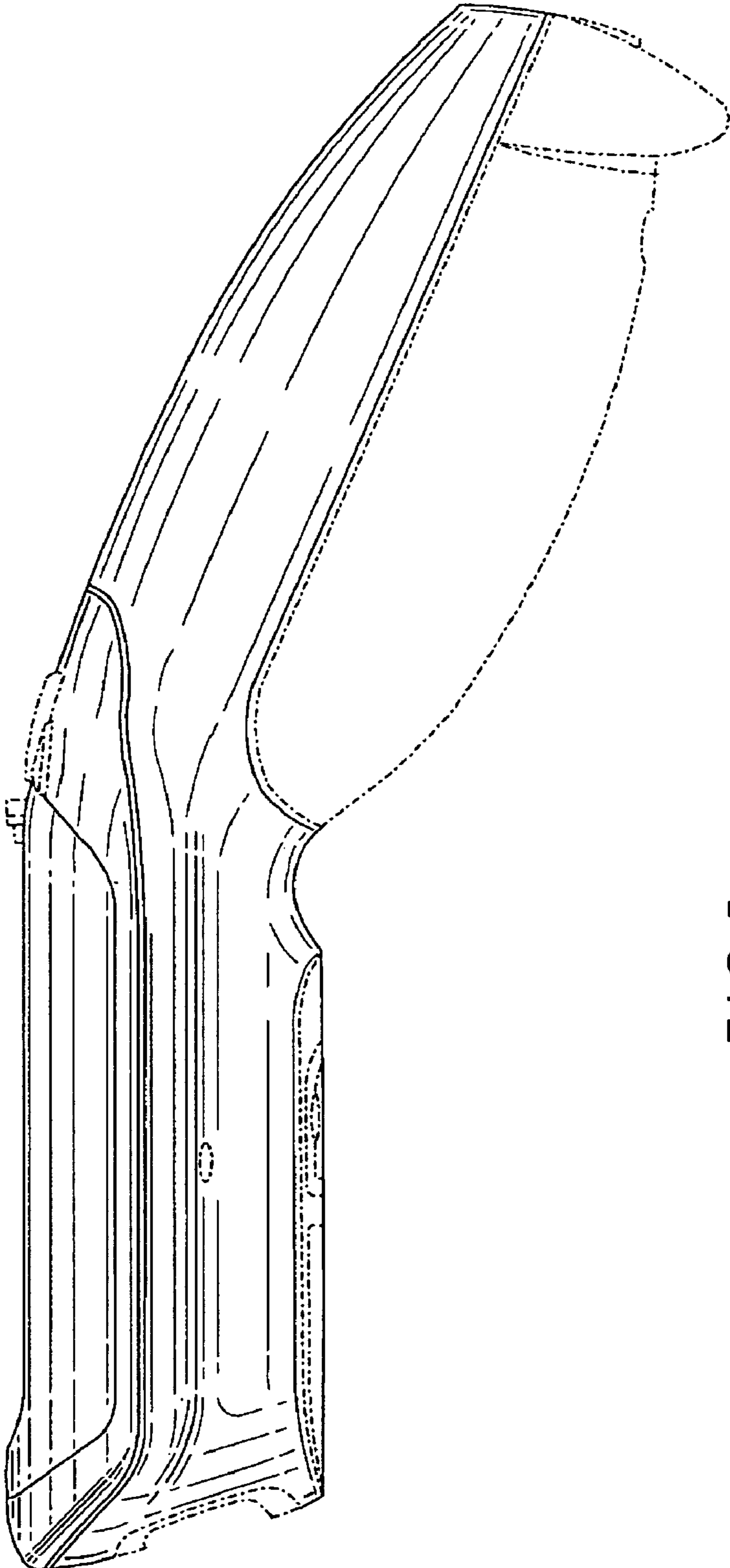


FIG. 5

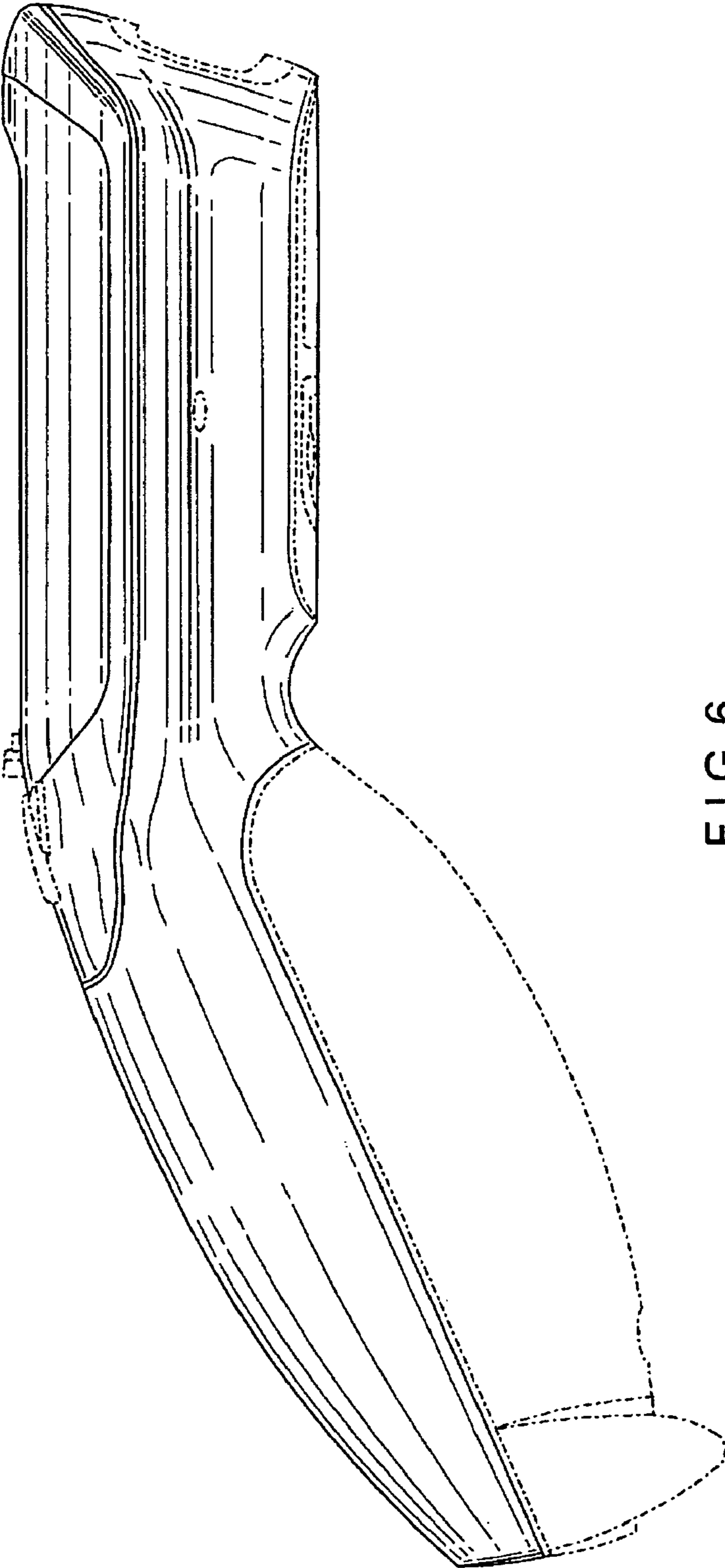


FIG. 6

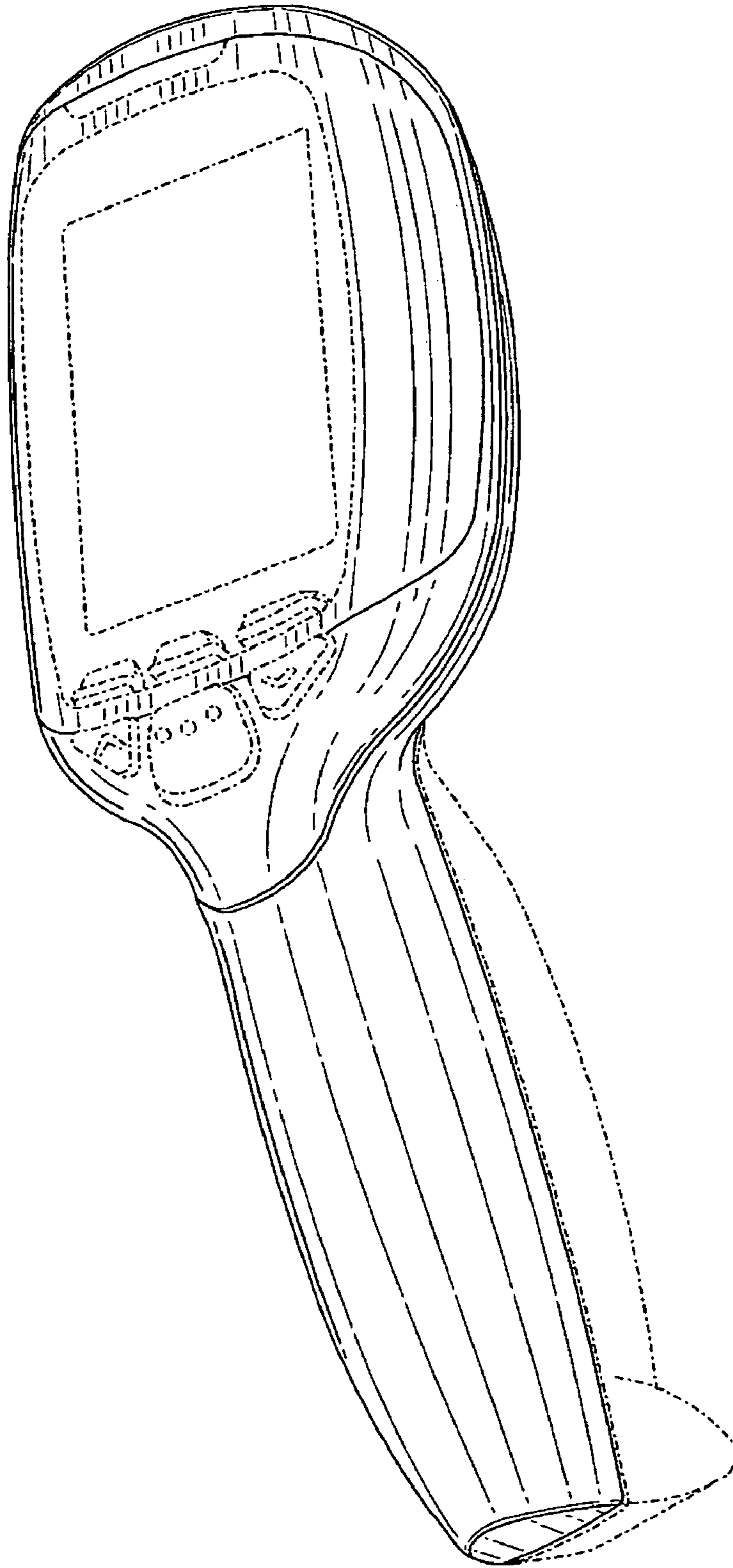


FIG. 7